

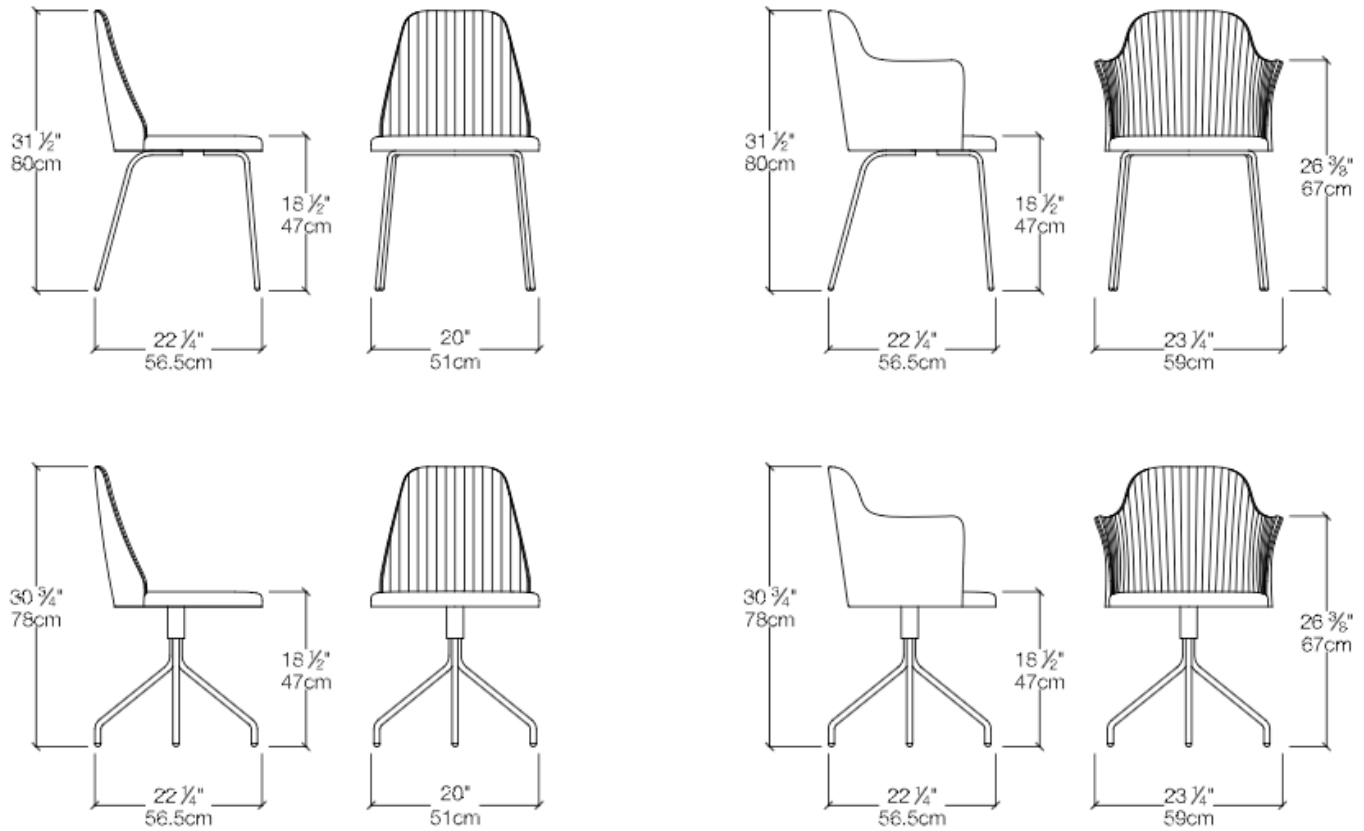
Break

Office & Task Seating



Break

SPECS



FINISHES

Chair available fully upholstered, or with back in beechwood (natural, stained, or matte lacquered.)
Quilted front detail.

Available in a wide variety of fabrics and leathers.

Three base options: beechwood-covered metal legs, satin-chromed metal legs, or satin-chromed four pronged swivel base.

Toronto

Vancouver

San Francisco

Seattle

Calgary

Los Angeles

New York City

RESOURCE