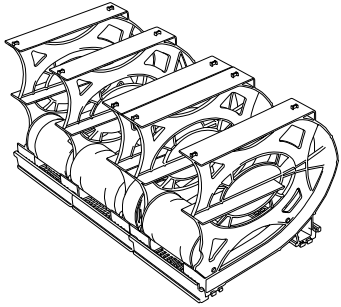


Finding the right can width



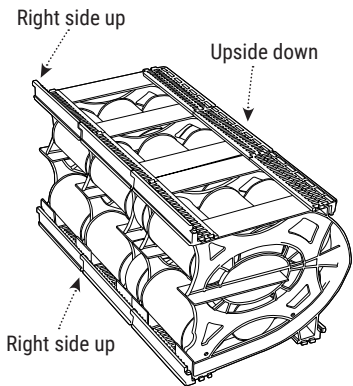
Before you start the next step, we recommend grabbing a few canned foods you want in your system to help you find the correct placement of your panels.

Step 4.

Before you attach the next panel, hover it slightly above the brackets. Hold the canned food between both panels to see how far apart they need to be. Look at the number the posts of the panel line up with on the brackets. For proper alignment, these numbers need to be the same. Leave about $\frac{1}{8}$ " space on side of the can for smooth rotation. Press the panel down into the brackets.

Continue this process with each panel, using your canned food to help find the desired width.

Adding the top brackets



Step 5.

To hold the all panels in place, you'll add the remaining brackets to the top of the panels. With the remaining 2 bracket sets, use the numbers on the top and bottom sides of the brackets and align to the top of the Cansolidator. Find the corresponding holes and press down. Attach the front and lower brackets right-side up and the rear brackets up-side down. When you've completed this step, your Cansolidator is ready to be filled with cans.

Note: if you're not storing larger fruit pie filling cans or building additional Consolidators on top, you can turn the top front brackets upside down to save space.

Configurations

Expand vertically

The Cansolidator is designed to be stackable. Simply insert more panels into the top brackets of your existing Cansolidator.

Do not stack your Cansolidator more than 2 levels high.

Expand horizontally

You can easily expand your Cansolidator as wide as you'd like by connecting more brackets and panels end to end.

SHELF RELIANCE

ASSEMBLY INSTRUCTIONS

Cansolidator®

Cansolidator® PantryPlus

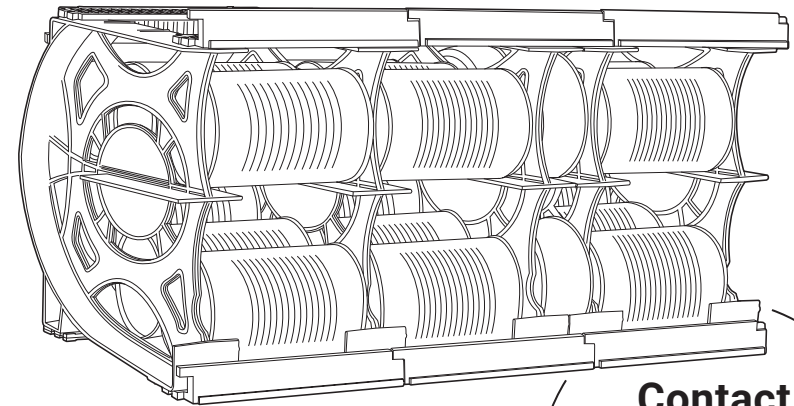
Holds up to 60 cans 4" diameter or less

Cansolidator® Cupboard

Holds up to 20 cans 3.3" diameter or less

Cansolidator® Pantry

Holds up to 40 cans 4" diameter or less

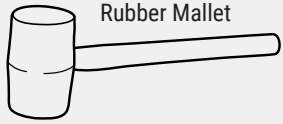


Contact us first

If you have damaged or missing parts, please contact us at shelfreliance.com



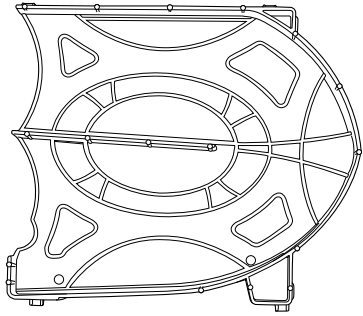
For assembly video and support visit shelfreliance.com



Rubber Mallet

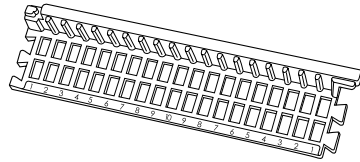
A rubber mallet can be used to lightly pound the pieces together. Do not use a hammer. It may break your unit.

Parts



Panels

- Cansolidator Cupboard (5)
- Cansolidator Pantry (5)
- Cansolidator Pantry Plus (7)



Brackets

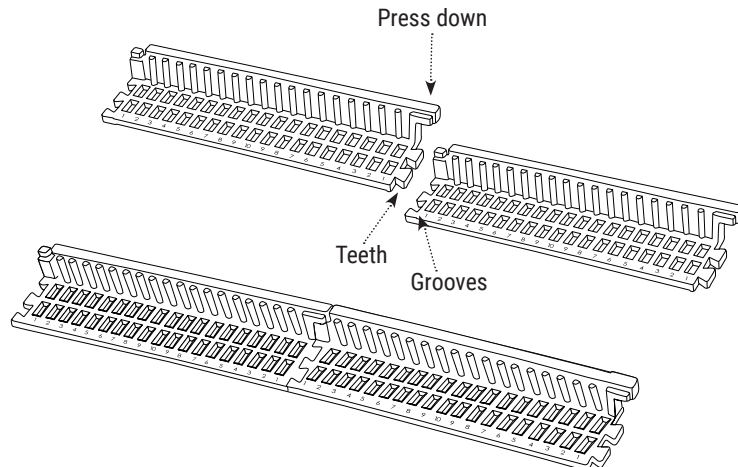
- Cansolidator Cupboard (12)
- Cansolidator Pantry (8)
- Cansolidator Pantry Plus (12)

Putting your brackets together

To put your Cansolidator® together, you'll start by connecting the brackets into 4 sets (2 brackets make 1 set) that are equal in length.

Step 1.

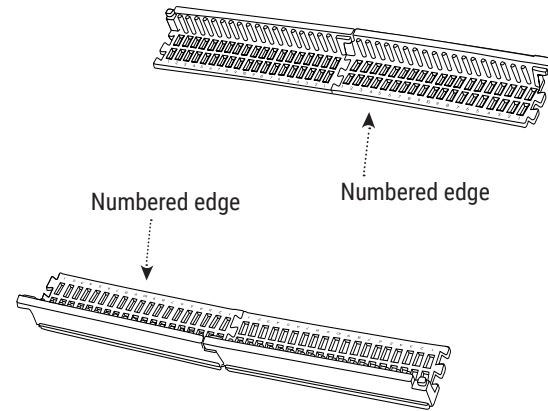
Line up 2 brackets end to end, holding one end with teeth slightly above the end with grooves, and press down firmly.



Putting your tracks together

Step 2.

Align 2 bracket sets across from each other with the numbered edges facing inward.



Step 3.

Press the panel downward so the posts (see below) fit firmly into hole #1 in both brackets.

