



BEAVERSTATE DENTAL SYSTEMS

Service Manual

C-4250

Asepsis Design Cuspidor with
Vacuum Accessory Group and
Water QD

Installation

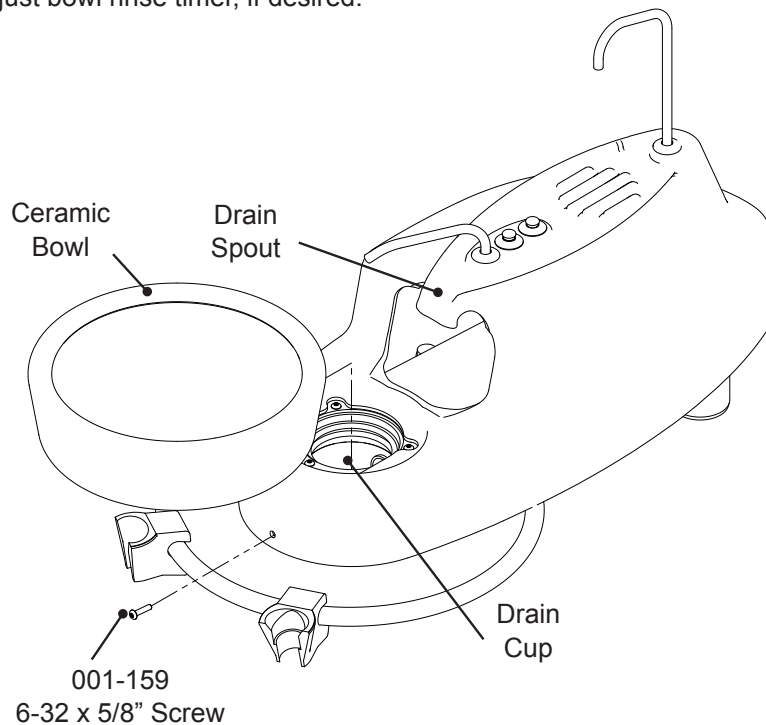
1. Place the shipping carton in the desired location. Remove the cuspidor from the shipping carton.
2. Separate the post clamp. Position the cuspidor on the post and fasten the post clamp back together, tighten the screws to secure the cuspidor in place.
3. Place the bowl, cup filler and bowl rinse spouts in their appropriate locations.
4. Connect the supply and vacuum tubings and gravity drain to the appropriate connections.
5. Connect the low voltage wiring for the vacuum switch to the electrical source.

Bowl Installation

1. Remove bowl and screw from package. Tuck bowl under the drain spout of the cover and press bowl firmly into drain cup.
2. With the screw provided, fasten cover to the metal frame using a 5/64" hex wrench.

Final Adjustments

- Test the bowl rinse.
- Test the cup filler.
- Check for proper drain.
- Test HVE and Saliva Ejector valve for proper function .
- Adjust bowl rinse timer, if desired.



Operation

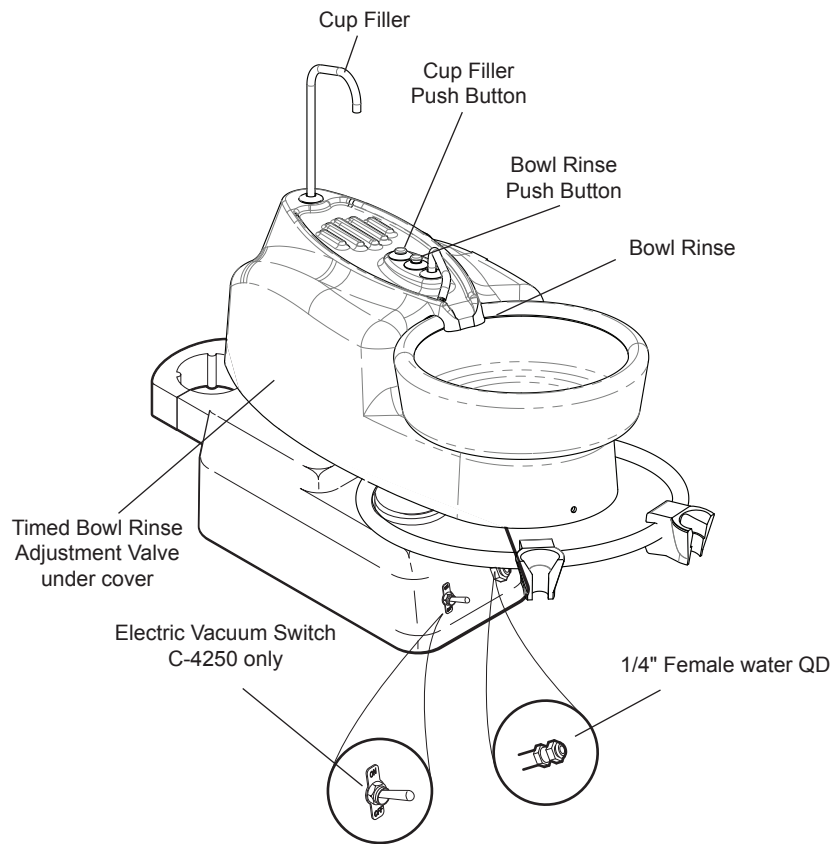
1. The cup filler is activated by pushing the cup filler button. The cycle stops automatically.
2. The timed bowl rinse is activated by pushing the rinse button. The timing for the rinse cycle may be adjusted with the flow control valve located under the cuspidor housing. To adjust the rinse cycle:
 - a. Turn adjustment knob *counter-clockwise* to decrease the rinse cycle time.
 - b. Turn adjustment knob *clockwise* to increase the rinse cycle time.

NOTE



The bowl rinse timer is set at the factory for 15 seconds. This adjustment is very sensitive, only 1/8 of a turn will increase or decrease the time significantly.

3. Flip the electric switch to activate the vacuum for the HVE and Saliva Ejector valve.



Controls for Cuspidor

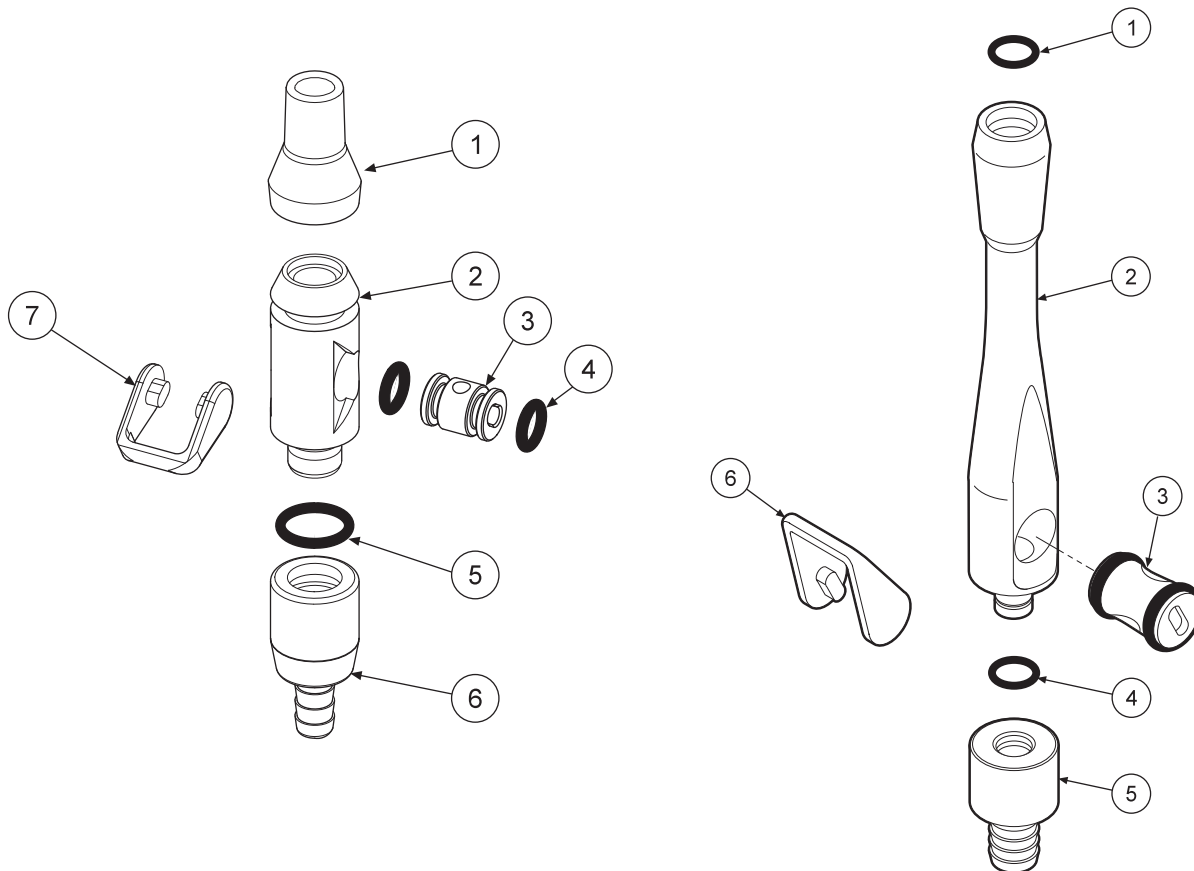
Autoclavable HVE & S/E Valves

Maintenance

Autoclavable vacuum valves may be autoclaved by steam autoclave or a chemical vapor. Due to the tight clearances and hardness of the anodized surfaces, the valve spool can become jammed or seize in the valve if it is sterilized while contaminated with debris.

Valves can be quickly disassembled for cleaning.

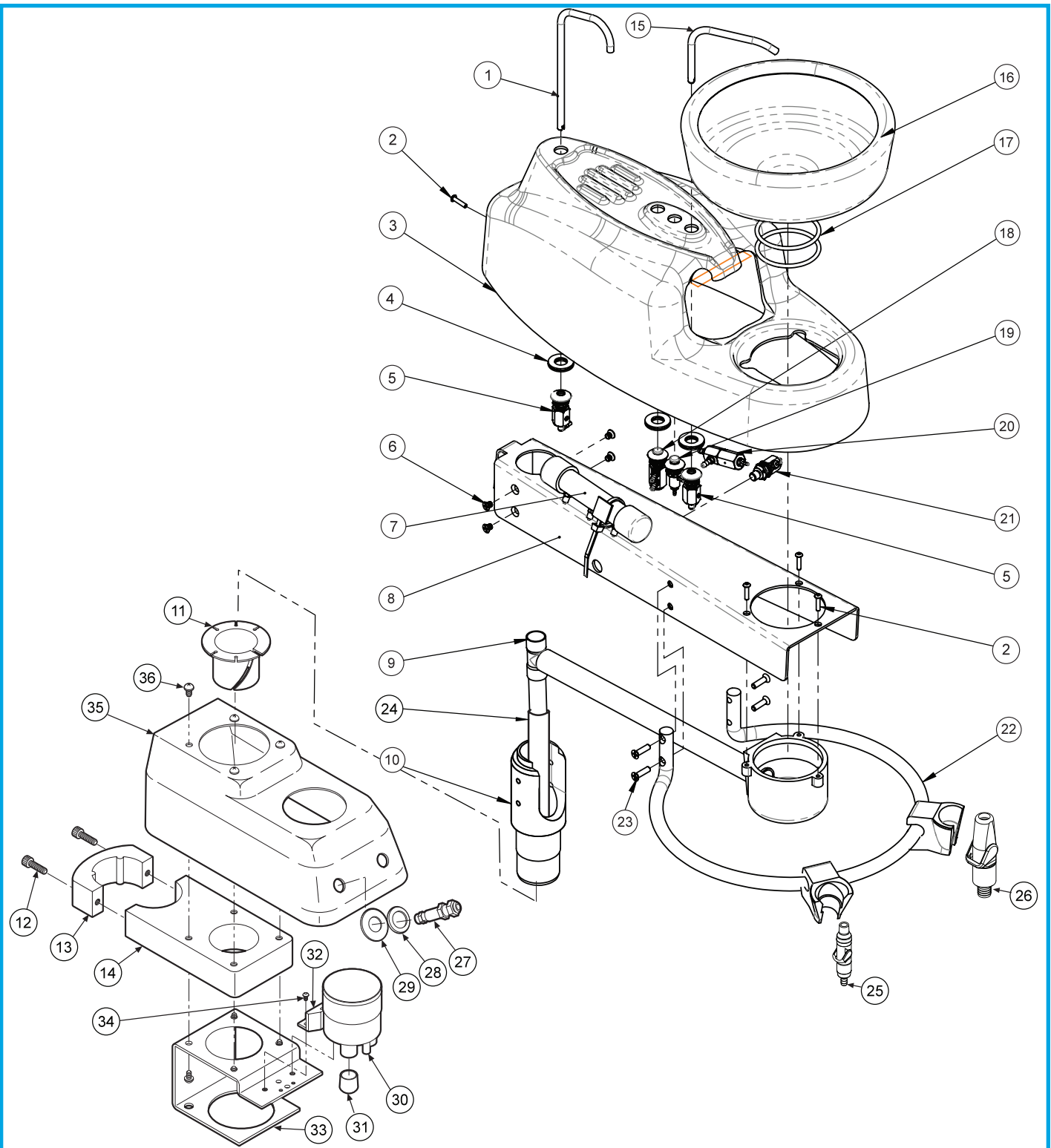
1. Pry one side of the lever and flip it off of the valve. For saliva ejector valves, remove the tip also.
2. Push out the valve spool and clean all the disassembled parts in an ultrasonic cleaner daily. *Rinse thoroughly before putting into autoclave.*
3. Lubricate the O-Rings on the spool with a silicone based lubricant before reassem-



| ITEM | PART DESCRIPTION | PART NUMBER | QTY |
|------|------------------|-------------|-----|
| 1 | Tip..... | 112-174 | 1 |
| 2 | Body..... | 112-276 | 1 |
| 3 | Spool..... | 112-278 | 1 |
| 4 | O-Ring, #10..... | 017-110 | 2 |
| 5 | O-Ring, #12..... | 017-012 | 1 |
| 6 | Swivel..... | 112-177 | 1 |
| 7 | Lever..... | 112-181 | 1 |

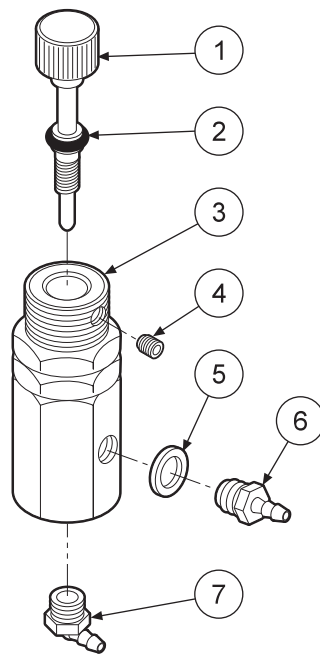
| ITEM | PART DESCRIPTION | PART NUMBER | QTY |
|------|--------------------|-------------|-----|
| 1 | O-Ring, #13..... | 017-113 | 3 |
| 2 | Body, Chrome..... | 112-272 | 1 |
| 3 | Spool, Chrome..... | 112-268 | 1 |
| 4 | O-Ring, #13..... | 017-013 | 1 |
| 5 | Swivel..... | 112-170 | 1 |
| 6 | Lever..... | 112-169 | 1 |

AUTOCLAVABLE S/E LEVER VALVE, CHROME 112-280 **AUTOCLAVABLE UNIVERSAL HVE VALVE 112-263**

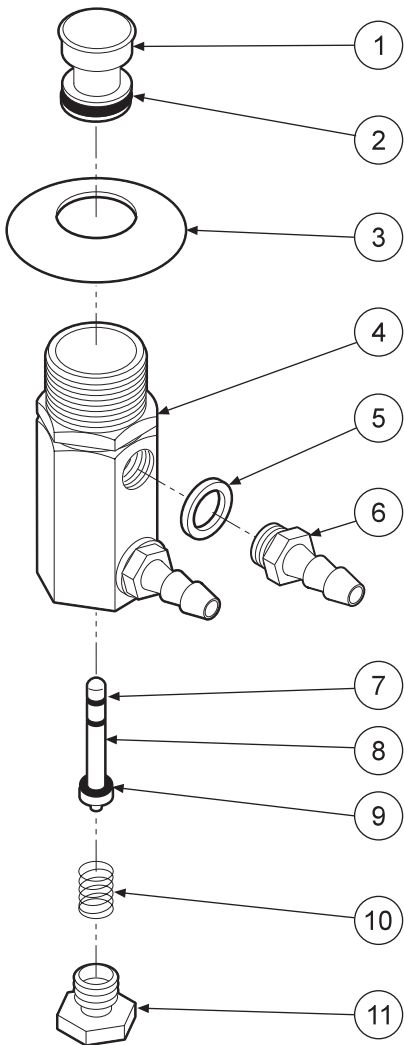


| ITEM | PART DESCRIPTION | PART NUMBER | QTY | ITEM | PART DESCRIPTION | PART NUMBER | QTY | ITEM | PART DESCRIPTION | PART NUMBER | QTY |
|------|------------------------------|-------------|-----|------|----------------------------------|-------------|-------|------|---|-------------|-----|
| 1 | Cup Fill Spout..... | 132-068 | 1 | 14 | Post Mount Bracket | 132-104 | 1 | 27 | Quick Disconnect | 024-003 | 1 |
| 2 | Screw, 6-32 x 5/8"..... | 001-159 | 4 | 15 | Bowl Rinse Spout..... | 132-067 | 1 | 28 | Washer (.515" ID, .815 OD) | 003-059 | 1 |
| 3 | Cover..... | 145-027 | 1 | 16 | Ceramic Bowl | 132-110 | 1 | 29 | Washer 7/16"..... | 003-035 | 2 |
| 4 | Washer, 7/16"..... | 003-047 | 6 | 17 | Ceramic Bowl O-Ring | 017-150 | 2 | 30 | Vacuum Cannister (uses 131-052 screen)..... | 131-021 | 1 |
| 5 | Receptical Spout Kit | 132-069 | 2 | 18 | Cup Fill Valve | 132-018 | 1 | 31 | HVE Plug | 010-009 | 1 |
| 6 | Screw, 10-32 x 1/4"..... | 001-087 | 4 | 19 | Bowl Rinse Valve | 132-020 | 1 | 32 | Mounting Bracket CV Cannister.... | 131-039 | 1 |
| 7 | Air Reservoir | 132-044 | 1 | 20 | Signal Valve..... | 132-035 | 1 | 33 | Strain Relief..... | 132-108 | 2 |
| 8 | Frame | 145-030 | 1 | 21 | Bowl Rinse Adjustment Valve..... | 132-122 | 1 | 34 | Screw, 8-32 x 3/8"..... | 001-149 | 2 |
| 9 | Drain Assembly | 132-041 | 1 | 22 | Holder Bar | 132-111 | 1 | 35 | Vacuum Cover | 132-109 | 1 |
| 10 | Drain Shaft..... | 132-103 | 1 | 23 | Screw, 10-32 x .75 | 001-034 | 4 | 36 | Screw, 10-32 x 3/8"..... | 001-070 | 4 |
| 11 | Bushing | 013-017 | 1 | 24 | Drain Tubing..... | 115-747 | 7 ft. | | | | |
| 12 | Screw, 1/4"-20 x 1-1/4"..... | 001-169 | 2 | 25 | Autoclavable S/E..... | 112-280 | 1 | | | | |
| 13 | Post Clamp..... | 105-088 | 1 | 26 | Autoclavable HVE | 112-262 | 1 | | | | |

**ASEPSIS CUSPIDOR
C-4250**

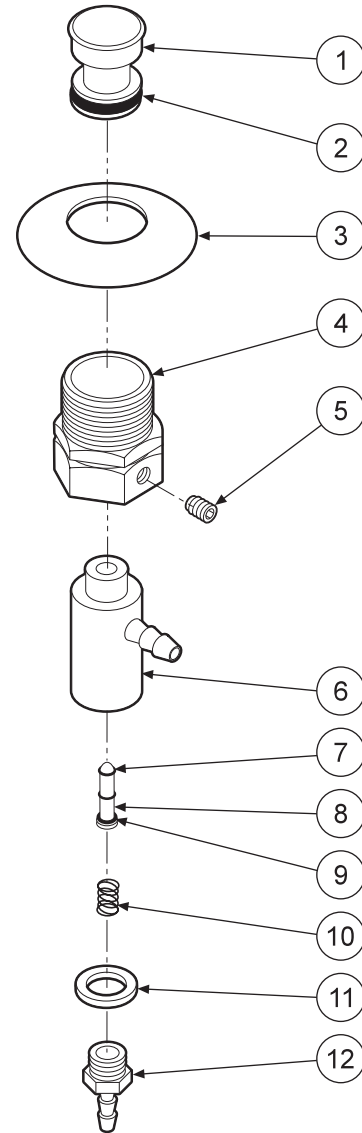


| ITEM | PART DESCRIPTION | PART NUMBER | QTY |
|------|------------------------------------|-------------|-----|
| 1 | Stem | 132-124 | 1 |
| 2 | O-Ring,003..... | 017-003 | 1 |
| 3 | Body | 132-123 | 1 |
| 4 | Set Screw, 4-40 x 1/8" | 005-030 | 1 |
| 5 | Plastic Waher, 1/4" | 003-001 | 1 |
| 6 | Barb,m 10-32 x 1/16" | 022-009 | 1 |
| 7 | Plastic Elbow, 10-32 x 1/16" | 022-039 | 1 |



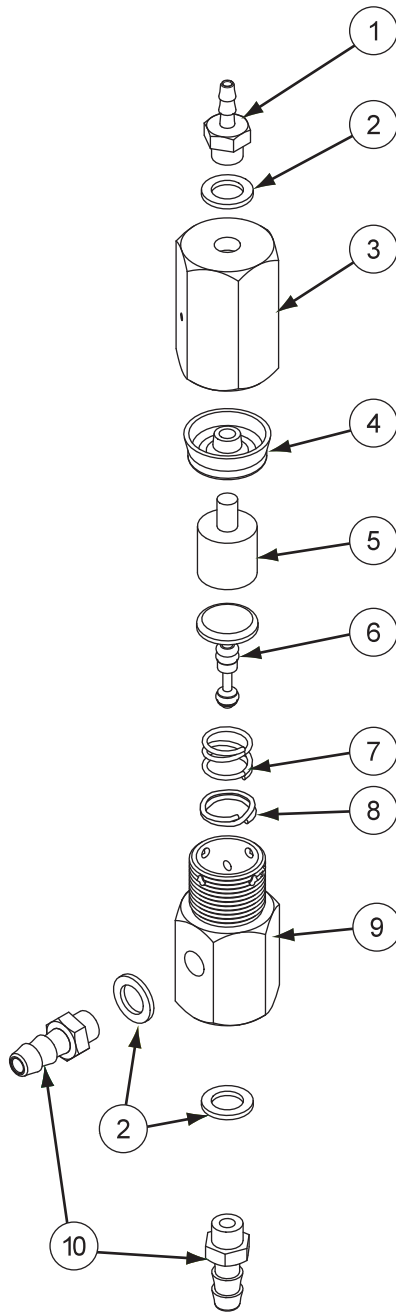
| ITEM | PART DESCRIPTION | PART NUMBER | QTY |
|------|---------------------------|-------------|-----|
| 1 | Syringe Button..... | 113-401 | 1 |
| 2 | O-Ring,007..... | 017-007 | 1 |
| 3 | Dress Nut..... | 002-517 | 1 |
| 4 | Body..... | 132-028 | 1 |
| 5 | Plastic Washer, 1/4"..... | 003-001 | 2 |
| 6 | Barb, 10-32 x 1/8"..... | 022-010 | 2 |
| 7 | O-Ring,001..... | 017-501 | 2 |
| 8 | Stem..... | 132-021 | 1 |
| 9 | O-Ring,002..... | 017-502 | 1 |
| 10 | Spring..... | 008-023 | 1 |
| 11 | Plug..... | 020-026 | 1 |

PUSH BUTTON VALVE, WATER (CUSPIDOR)
132-018



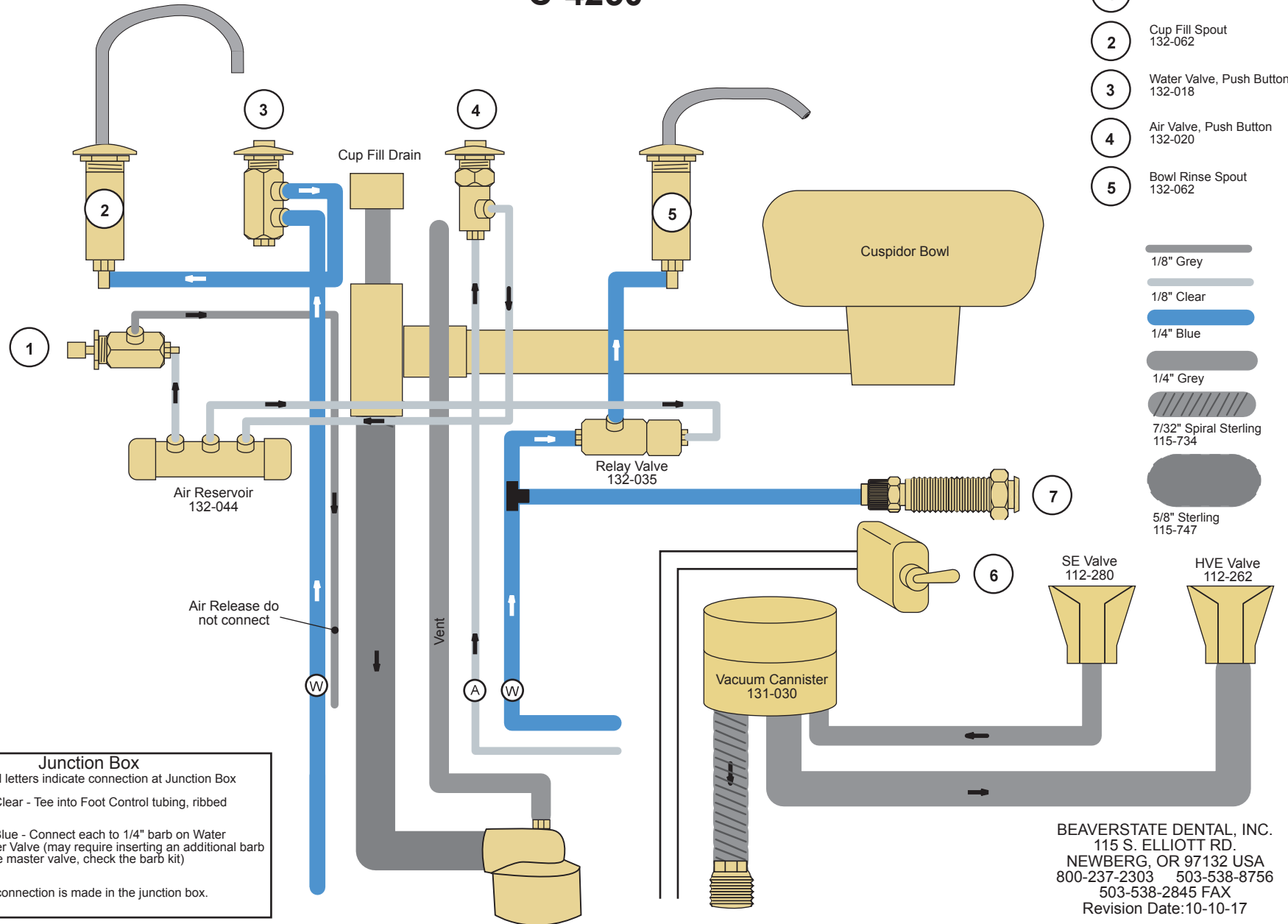
| ITEM | PART DESCRIPTION | PART NUMBER | QTY |
|------|------------------------------|-------------|-----|
| 1 | Syringe Button..... | 113-401 | 1 |
| 2 | O-Ring,008..... | 017-008 | 1 |
| 3 | Dress Nut..... | 002-517 | 1 |
| 4 | Air Signal Adapter..... | 132-014 | 1 |
| 5 | Set Screw, 4-40 x 3/16"..... | 005-001 | 1 |
| 6 | Valve Body..... | 123-017 | 1 |
| 7 | O-Ring,001..... | 017-501 | 2 |
| 8 | Stem..... | 123-015 | 1 |
| 9 | O-Ring,002..... | 017-502 | 1 |
| 10 | Spring..... | 008-011 | 1 |
| 11 | Plastic Washer, 1/4"..... | 003-001 | 1 |
| 12 | Barb, 10-32 x 1/16"..... | 022-009 | 1 |







PUSH BUTTON VALVE, AIR (CUSPIDOR)
132-020



| ITEM | PART DESCRIPTION | PART NUMBER | QTY |
|------|--------------------------|-------------|-----|
| 1 | Hex Barb, 10-32 x 1/16" | 022-009 | 1 |
| 2 | Plastic Washer, 1/4" | 003-001 | 3 |
| 3 | Valve, Air Pilot | 014-002 | 1 |
| 4 | Cup Seal | 017-203 | 1 |
| 5 | Piston, Air Pilot | 014-008 | 1 |
| 6 | Stem, 2-Way Toggle Valve | 120-013 | 1 |
| 7 | Spring, Toggle Valve | 008-002 | 1 |
| 8 | #4 Split Ring | 017-011 | 1 |
| 9 | Body, Toggle Valve | 120-010 | 1 |
| 10 | Hex Barb, 10-32 x 1/8" | 022-010 | 2 |




Asepsis Cuspidor C-4250



-  Tee
-  1 Bleed Valve 132-122
-  2 Cup Fill Spout 132-062
-  3 Water Valve, Push Button 132-018
-  4 Air Valve, Push Button 132-020
-  5 Bowl Rinse Spout 132-062

- 1/8" Grey
- 1/8" Clear
- 1/4" Blue
- 1/4" Grey
- 7/32" Spiral Sterling 115-734
- 5/8" Sterling 115-747

Junction Box
 Circled letters indicate connection at Junction Box

-  A 1/8" Clear - Tee into Foot Control tubing, ribbed
-  W 1/4" Blue - Connect each to 1/4" barb on Water Master Valve (may require inserting an additional barb on the master valve, check the barb kit)
-  T This connection is made in the junction box.

BEAVERSTATE DENTAL, INC.
 115 S. ELLIOTT RD.
 NEWBERG, OR 97132 USA
 800-237-2303 503-538-8756
 503-538-2845 FAX
 Revision Date:10-10-17

WARRANTY

Beaverstate Dental warrants its product to be free of defects in material and workmanship for FIVE FULL YEARS from the date of purchase on all units. Auto-blocks and standard foot control (126-000) are covered by a LIFETIME warranty when factory installed as part of a complete dental system. Warranty is limited to repair or replacement by Beaverstate Dental. Products returned to the factory and determined to be defective will be repaired or replaced free of charge. The warranty does not cover light bulbs. Beaverstate Dental reserves the right to void all warranties if any product is installed by other than an authorized technician. Beaverstate's warranty does not cover damage to any surface finish, including but not limited to, discoloration or abrasion from cleaners, disinfectants or light sources. No claim for labor or consequential damages will be allowed. Return items must include a copy of the invoice or packing slip as proof of purchase.

**Beaverstate Dental Inc.
115 S. Elliott Rd.
Newberg, OR 97132
800-237-2303
503-538-8756
503-538-2845 Fax
www.beaverstatedental.com**
