



BEAVERSTATE DENTAL SYSTEMS

Service Manual

C-4200

Asepsis Design Cuspidor

Installation

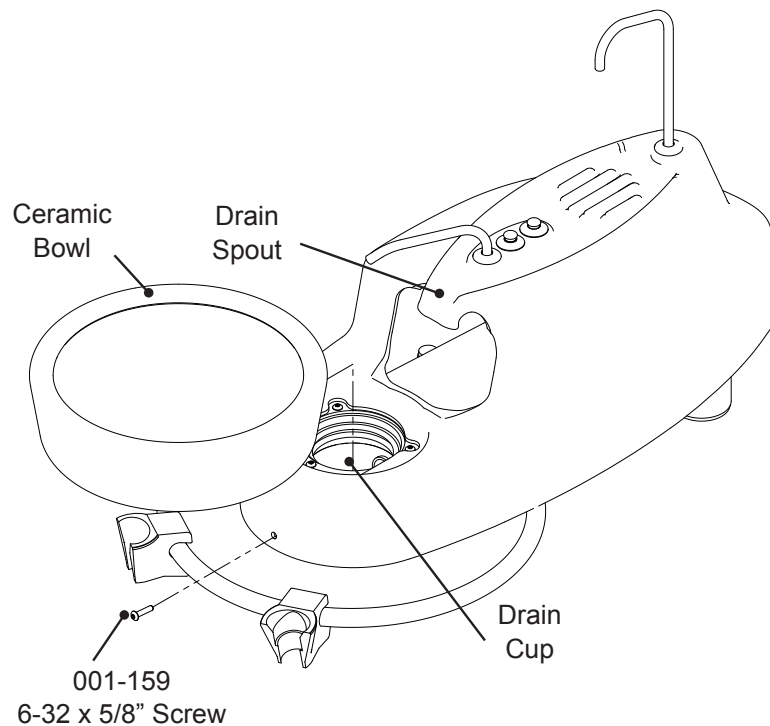
1. Place the shipping carton in the desired location. Remove the cuspidor from the shipping carton.
2. Separate the post clamp. Position the cuspidor on the post and fasten the post clamp back together, tighten the screws to secure the cuspidor in place.
3. Place the bowl, cup filler and bowl rinse spouts in their appropriate locations.
4. Connect the supply and vacuum tubings and gravity drain to the appropriate connections.

Bowl Installation

1. Remove bowl and screw from package. Tuck bowl under the drain spout of the cover and press bowl firmly into drain cup.
2. With the screw provided, fasten cover to the metal frame using a 5/64" hex wrench.

Final Adjustments

- Test the bowl rinse.
- Test the cup filler.
- Check for proper drain.
- Adjust bowl rinse timer, if desired.



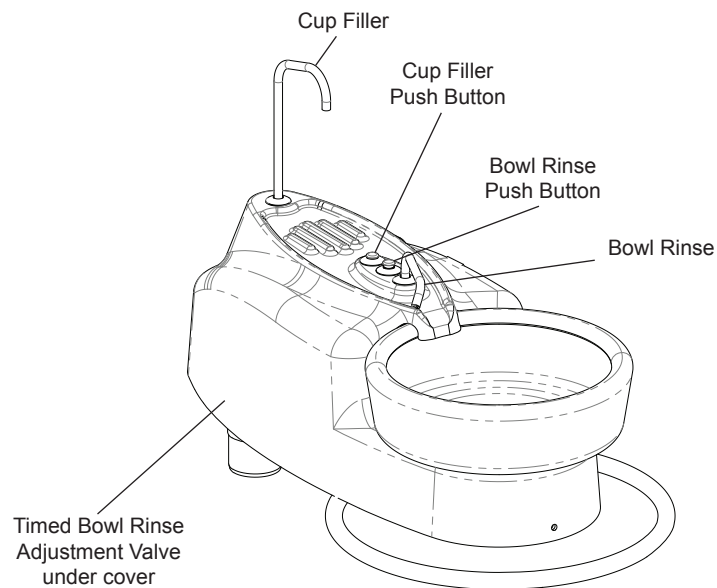
Operation

1. The cup filler is activated by pushing the cup filler button. The cycle stops automatically.
2. The timed bowl rinse is activated by pushing the rinse button. The timing for the rinse cycle may be adjusted with the flow control valve located under the cuspidor housing. To adjust the rinse cycle:
 - a. Turn adjustment knob *counter-clockwise* to decrease the rinse cycle time.
 - b. Turn adjustment knob *clockwise* to increase the rinse cycle time.

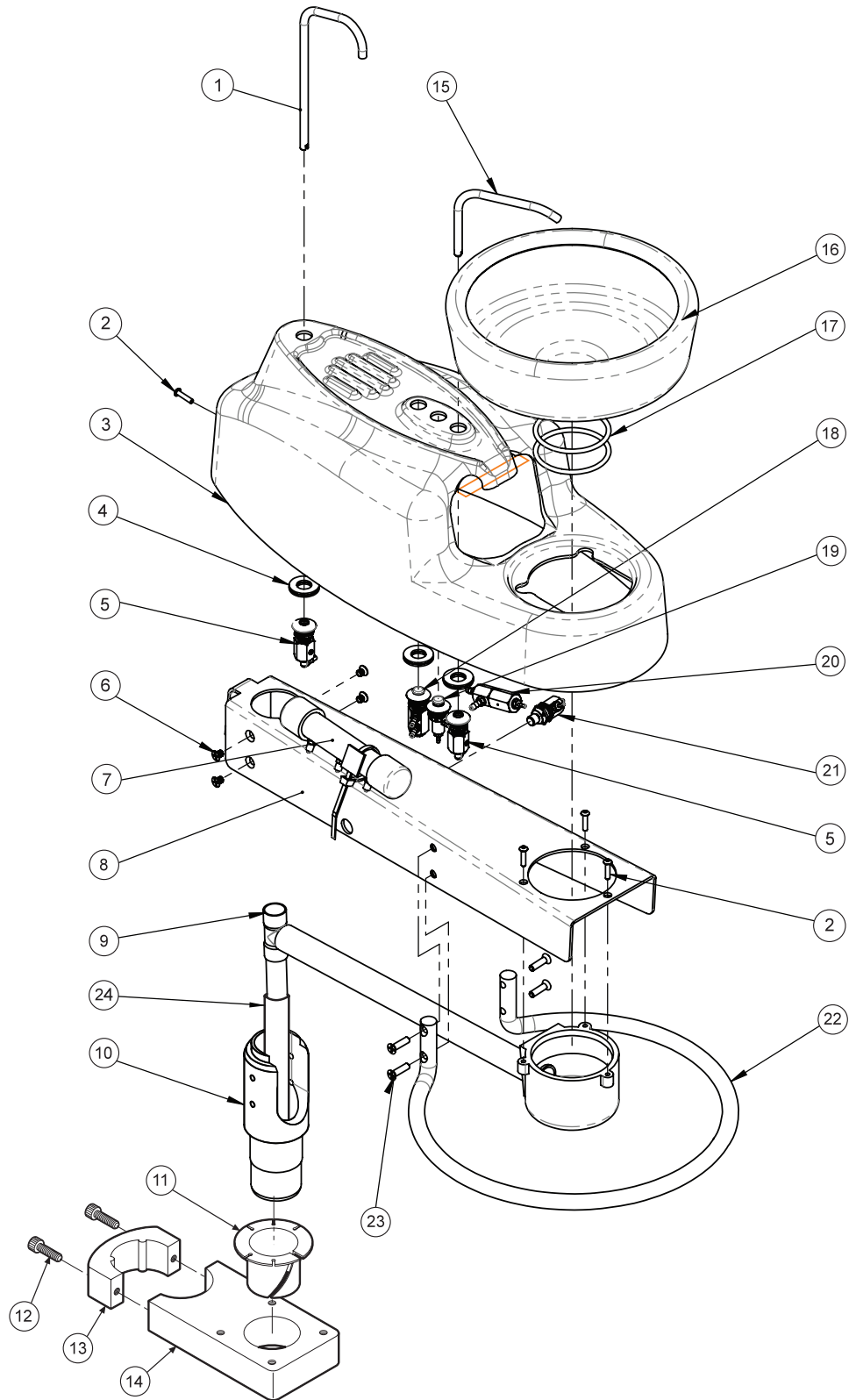
NOTE



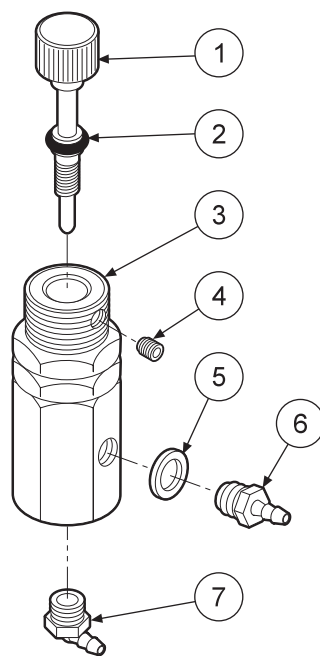
The bowl rinse timer is set at the factory for 15 seconds. This adjustment is very sensitive, only 1/8 of a turn will increase or decrease the time significantly.



Controls for Cuspidors

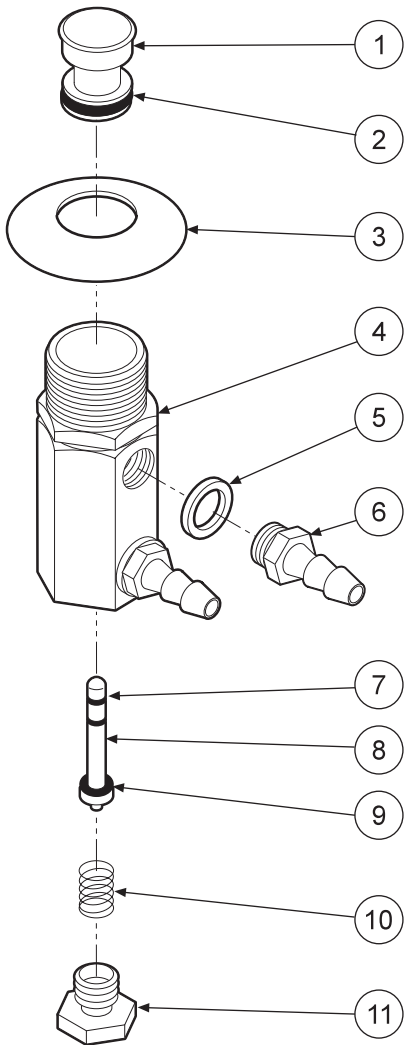


ITEM	PART DESCRIPTION	PART NUMBER	QTY	ITEM	PART DESCRIPTION	PART NUMBER	QTY	ITEM	PART DESCRIPTION	PART NUMBER	QTY
1	Cup Fill Spout.....	132-068	1	9	Drain Assembly.....	132-041	1	17	Ceramic Bowl O-Ring.....	017-150	2
2	Screw, 6-32 x 5/8".....	001-159	4	10	Drain Shaft.....	132-103	1	18	Cup Fill Valve.....	132-018	1
3	Cover.....	145-027	1	11	Bushing.....	013-017	1	19	Bowl Rinse Valve.....	132-020	1
4	Washer, 7/16".....	003-047	6	12	Screw, 1/4"-20 x 1-1/4".....	001-169	2	20	Signal Valve.....	132-035	1
5	Receptical Spout Kit.....	132-069	2	13	Post Clamp.....	105-088	1	21	Bowl Rinse Adjustment Valve.....	132-122	1
6	Screw, 10-32 x 1/4".....	001-087	4	14	Post Mount Bracket.....	132-104	1	22	Holder Bar.....	132-111	1
7	Air Reservoir.....	132-044	1	15	Bowl Rinse Spout.....	132-067	1	23	Screw, 10-32 x .75.....	001-034	4
8	Frame.....	145-030	1	16	Ceramic Bowl.....	132-110	1	24	Drain Tubing.....	115-747	7ft.



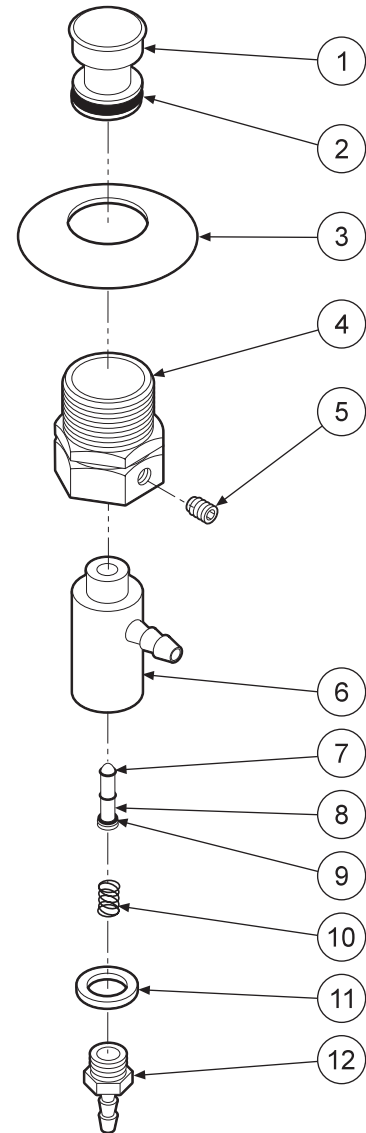
ITEM	PART DESCRIPTION	PART NUMBER	QTY
1	Stem	132-124	1
2	O-Ring, 003.....	017-003	1
3	Body	132-123	1
4	Set Screw, 4-40 x 1/8"	005-030	1
5	Plastic Waher, 1/4"	003-001	1
6	Barb,m 10-32 x 1/16"	022-009	1
7	Plastic Elbow, 10-32 x 1/16"	022-039	1

BLEED VALVE (CUSPIDOR)
132-122



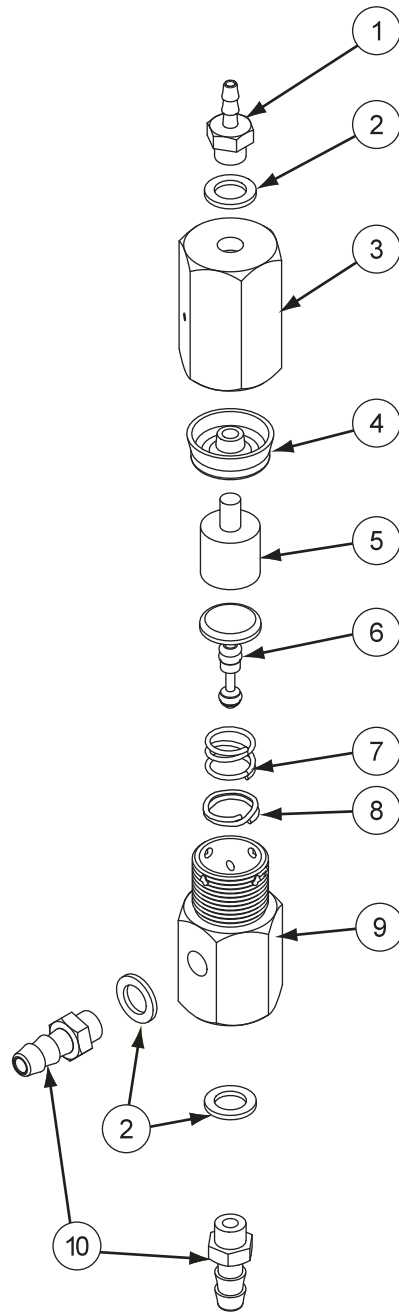
ITEM	PART DESCRIPTION	PART NUMBER	QTY
1	Syringe Button.....	113-401	1
2	O-Ring, 007.....	017-007	1
3	Dress Nut.....	002-517	1
4	Body.....	132-028	1
5	Plastic Washer, 1/4".....	003-001	2
6	Barb, 10-32 x 1/8".....	022-010	2
7	O-Ring, 001.....	017-501	2
8	Stem.....	132-021	1
9	O-Ring, 002.....	017-502	1
10	Spring.....	008-023	1
11	Plug.....	020-026	1

PUSH BUTTON VALVE, WATER (CUSPIDOR)
5 132-018



ITEM	PART DESCRIPTION	PART NUMBER	QTY
1	Syringe Button.....	113-401	1
2	O-Ring, 008.....	017-008	1
3	Dress Nut.....	002-517	1
4	Air Signal Adapter.....	132-014	1
5	Set Screw, 4-40 x 3/16".....	005-001	1
6	Valve Body.....	123-017	1
7	O-Ring, 001.....	017-501	2
8	Stem.....	123-015	1
9	O-Ring, 002.....	017-502	1
10	Spring.....	008-011	1
11	Plastic Washer, 1/4".....	003-001	1
12	Barb, 10-32 x 1/16".....	022-009	1

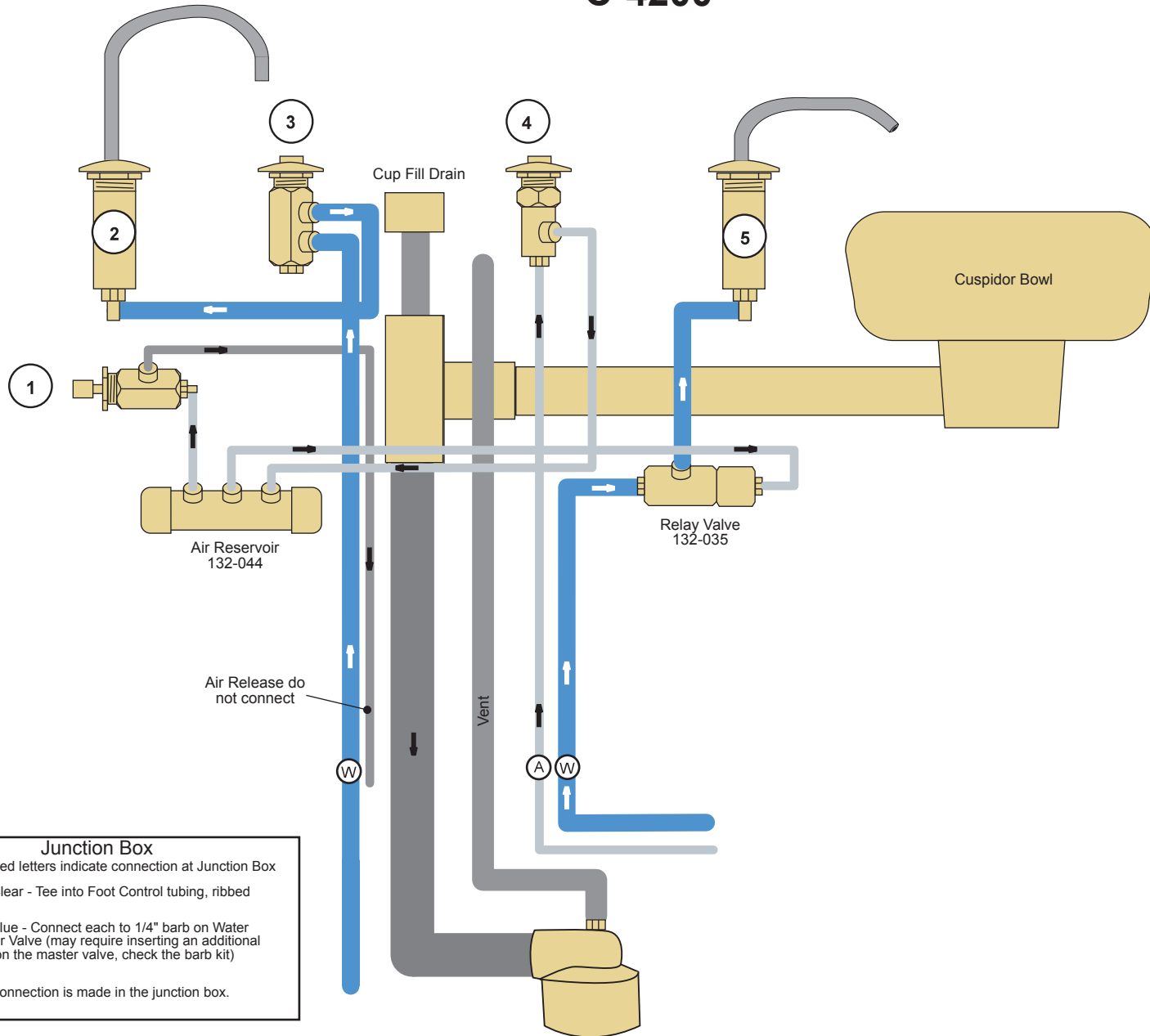
PUSH BUTTON VALVE, AIR (CUSPIDOR)
132-020











ITEM	PART DESCRIPTION	PART NUMBER	QTY
1	Hex Barb, 10-32 x 1/16"	022-009	1
2	Plastic Washer, 1/4"	003-001	3
3	Valve, Air Pilot	014-002	1
4	Cup Seal	017-203	1
5	Piston, Air Pilot.....	014-008	1
6	Stem, 2-Way Toggle Valve	120-013	1
7	Spring, Toggle Valve.....	008-002	1
8	#4 Split Ring	017-011	1
9	Body, Toggle Valve.....	120-010	1
10	Hex Barb, 10-32 x 1/8"	022-010	2

WATER RELAY VALVE (CUSPIDOR)
132-035




Asepsis Cuspidor C-4200



-  Tee
-  1 Bleed Valve
132-122
-  2 Cup Fill Spout
132-062
-  3 Water Valve, Push Button
132-018
-  4 Air Valve, Push Button
132-020
-  5 Bowl Rinse Spout
132-062

-  1/8" Grey
-  1/8" Clear
-  1/4" Blue
-  1/4" Grey vent
-  7/32" Sterling
115-734
-  5/8" Sterling
115-747

Junction Box
Circled letters indicate connection at Junction Box

-  A 1/8" Clear - Tee into Foot Control tubing, ribbed
-  W 1/4" Blue - Connect each to 1/4" barb on Water Master Valve (may require inserting an additional barb on the master valve, check the barb kit)
-  T This connection is made in the junction box.

BEAVERSTATE DENTAL, INC.
115 S. ELLIOTT RD.
NEWBERG, OR 97132 USA
800-237-2303 503-538-8756
503-538-2845 FAX
Revision Date: 10-10-17

WARRANTY

BDS warrants its product to be free of defects in material and workmanship for SEVEN FULL YEARS from the date of purchase on all units. Auto-blocks and standard foot controls are covered by a LIFETIME warranty when factory installed as part of a complete dental system. Upholstery has a TWO YEAR warranty and does not cover normal wear, stains, cuts or tears. Our LED lights have a FIVE year Warranty and our halogen light has a ONE year Warranty. Operatory chair motors feature a TEN year warranty. All warranty is limited to repair or replacement by BDS. Products returned to the factory and determined to be defective will be repaired or replaced free of charge at discretion of BDS. The warranty does not cover light bulbs, electrical components and trimmed or installed tubing. BDS reserves the right to void all warranties if any product is installed by other than an authorized technician. BDS' warranty does not cover damage to any surface finish, including but not limited to, discoloration or abrasion from cleaners, disinfectants or light sources. No claim for labor or consequential damages will be allowed. Return items must include a copy of the invoice or packing slip as proof of purchase.

**Beaverstate Dental Inc.
115 S. Elliott Rd.
Newberg, OR 97132
800-237-2303
503-538-8756
503-538-2845 Fax
www.beaverstatedental.com**
