



Service Manual

S-3300

3 HP Automatic 2" dia. Post Mount
Doctor's System with Pneumatic
Brake Flex Arm

Tension Adjustment

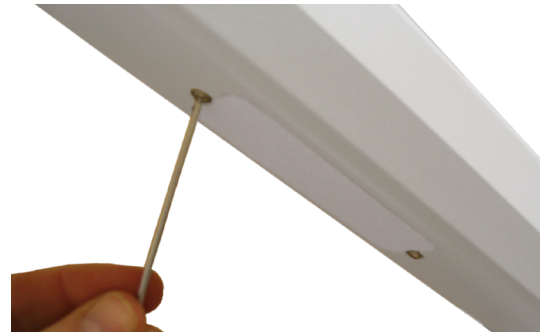
Notice: Using Flex Arm with the brake on will cause abusive and premature wear. The arm is factory set to balance with additional tray, tools and handpieces. Spring tension should be adjusted when necessary to cancel any drift when the brake is disengaged.

Flex Arm with Pneumatic Brake

1. Spring adjustment is under a white plastic cover. (figure 1).

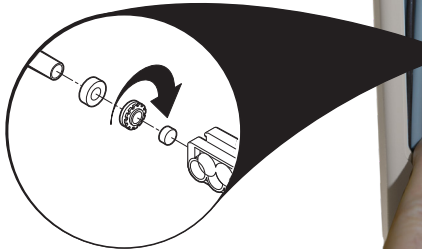
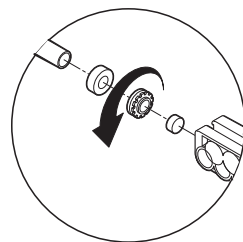


2. Using 5/64" allen wrench remove the two screws. (figure 2).



3. Spring tension is set by turning the star nut up or down along the rod. (figure 3)

Using a screwdriver, adjust the nut to change the tension. Clockwise adjustment will balance more weight. Counter-clockwise adjustment will lighten the arm.



Installation

1. Install the chair adapter as per instructions provided with the chair adapter.
2. Place the shipping carton in the desired location. Remove the unit with arm system and unit/light post (if ordered) from the shipping carton.



NOTE

If the unit/light post has a hole drilled in the side for the umbilical, orient the post so the hole is facing toward the foot of the chair.

3. Insert the unit/light post into the chair adapter hub as designated by label on light post which indicates the end of the post that the adaptor is installed. Level, then tighten the set screws to secure the post in place.
4. Slide the arm stop collar and washer down the post. Tighten the set screws to secure the stop collar at the desired height.
5. Slide the unit with arm system down the post until it rests on the stop collar and washer.



WARNING

The arm system is spring loaded. Before removing the safety tie strap, firmly grasp the flex arm and hold down.

6. Cut the safety tie strap and carefully release the arm system.
7. Rotate the flex arm in a counter-clockwise direction so that the umbilical tubings do not become crimped or twisted.
8. The flex arm rotational stop consists of a 1/4 - 28 dog point set screw inserted in the end of the rigid arm. This set screw and end cap are shipped with the stop collar. The set screw will engage a slot in the knuckle, and should be inserted fully, then backed off one half turn. Lastly, install the endcap.
9. Feed the umbilical into the hole in the unit/light post, pulling it out through the bottom of the post.
10. Mount the utility center housing to the floor as per instructions in the Utility Center Template & Guide.
11. Install master valve assemblies, with filter and regulator, onto the manual shut-off valves. (Pressures are preset at the factory: 80 psi air, 40 psi water).
12. Feed the supply tubings from the umbilical through the 3/4" hole in the utility center housing. Screw in the spiral tubing to act as a strain relief.
13. Connect the supply tubings as shown in the Utility Center Template & Guide.
14. Place the non slip pad and tray, or tray with non-skid feet on the control head lid.

Final Adjustments

Check air pressure, adjust to 80 psi if necessary.
Check water pressure, adjust to 40 psi if necessary.
Test handpieces for proper function.
Test syringe for proper pressure and function.
Adjust flex arm tension, if necessary.

Operation

1. Turn on the master switch located on the left side of the control head.
2. The handpiece is automatically activated when lifted from the holder.
3. Depress the foot control to activate each handpiece. Pressure is shown on the gauge for the handpiece being used.
4. Individual handpiece pressure adjustments are located on the autoblock inside the control head. To adjust the pressure to each handpiece:
 - a. Turn adjustment screw clockwise to decrease the handpiece pressure.
 - b. Turn adjustment screw counter-clockwise to increase the handpiece pressure.



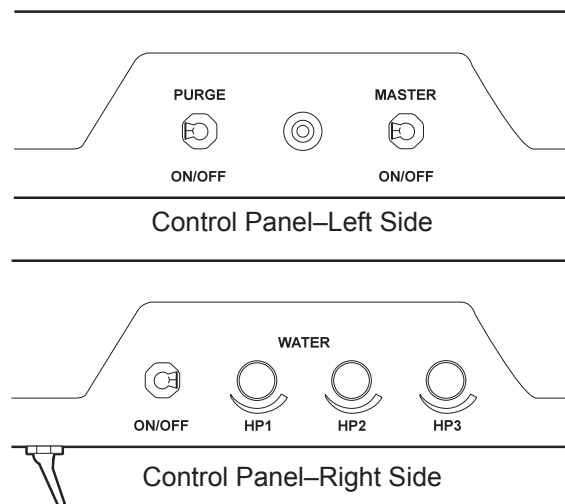
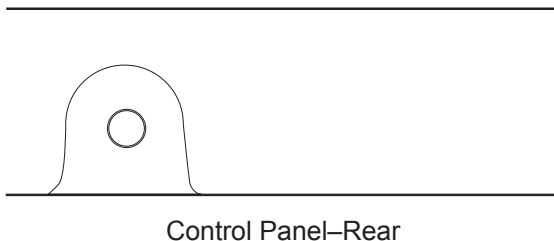
CAUTION

When adjusting the handpiece pressure, do not over-tighten the screws. Damage may result.

5. Activate the water spray to the handpiece by flipping the toggle for the water located on the right side of the control head.
6. Water coolant flow adjustments are located on the right side of the control head.
7. Arm brake switch is located underneath the control head on the right side. The brake is on when the toggle is positioned towards the rear. Pull the lever forward to release the arm brake, adjust arm to desired location and move lever to the rear to reapply the brake.
8. Air Coolant Adjustment is located on the rear of the control. The flow adjustment valve will reduce the air coolant (chip air) pressure.

Handpiece Purge

The purge switch, located on the left side of the control head, flushes fresh water through the water coolant system. Guidelines from the Center for Disease Control (CDC) recommends that each handpiece be flushed (purged) 20 to 30 seconds between patients and several minutes at the beginning of each day. Handpieces must be removed from the holder to activate the purge system.



Troubleshooting

Symptom Handpiece lacks power.

- Possible Causes
- A. Improper supply pressure from compressor (80 psi).
 - B. Check handpiece pressure adjustment on unit.
 - C. Air filter may be plugged.
 - D. Pinched supply tubing.
 - E. Defective handpiece gasket at connection with tubing.
 - F. Defective handpiece.

Symptom Water coolant does not shut off when foot control is released.

- Possible Causes
- A. Adjust air pressure to 80 psi—water pressure to 40 psi.
 - B. Foot control is not exhausting.
 - C. Defective water relay valve.
 - D. Air coolant adjustment located on rear of unit

Symptom More than one handpiece is operating.

- Possible Causes
- A. Handpiece is not all the way in the holder.
 - B. Improper adjustment on pilot valve in the handpiece holder.
 - C. Defective shuttle valve to gauge.

Symptom Insufficient water coolant.

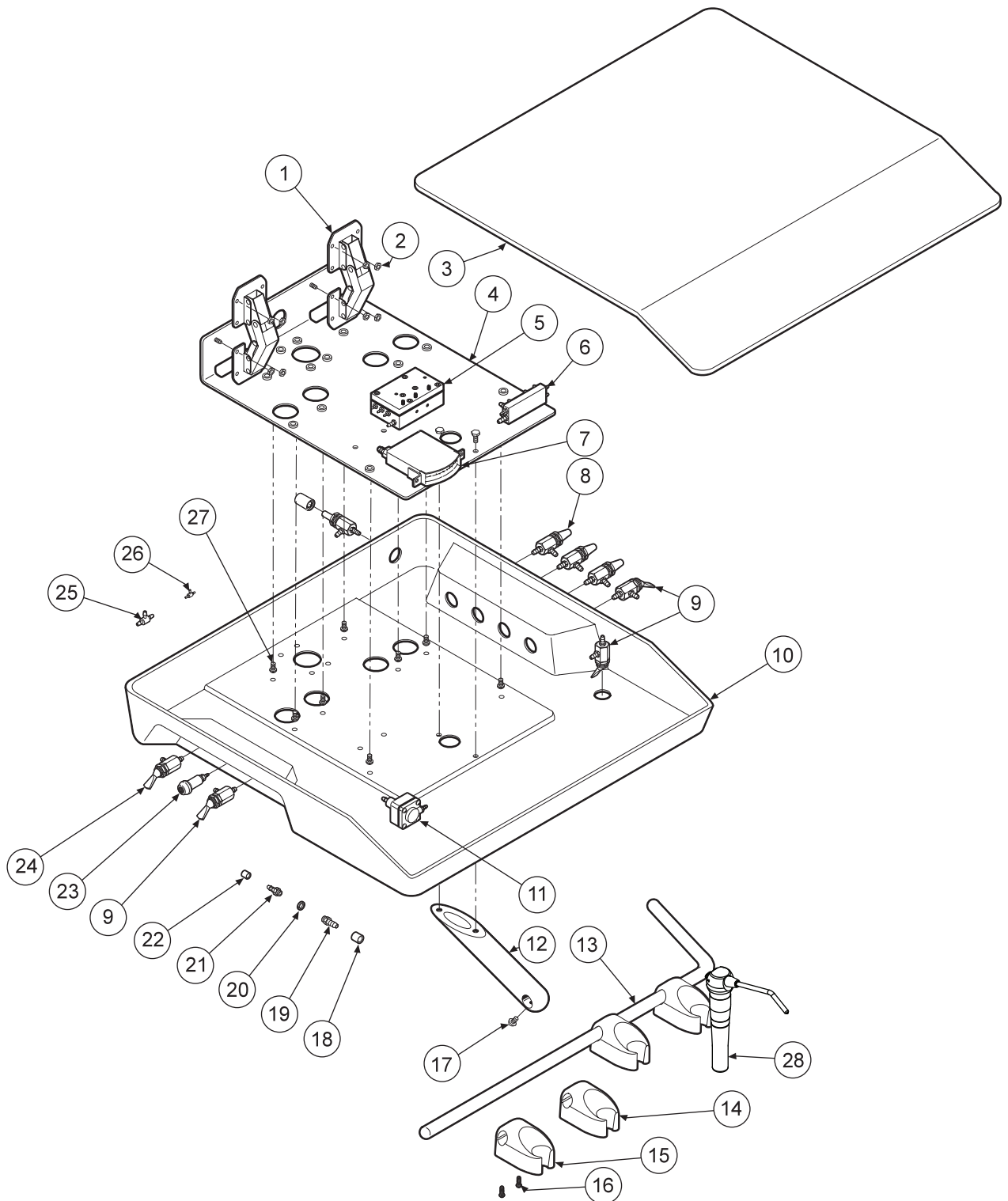
- Possible Causes
- A. Adjust coolant flow valve.
 - B. Water filter may be plugged.
 - C. Handpiece may be plugged.
 - D. Pinched supply tubing.
 - E. Defective water relay valve.

Symptom Water coolant is running from handpiece while in the holder.

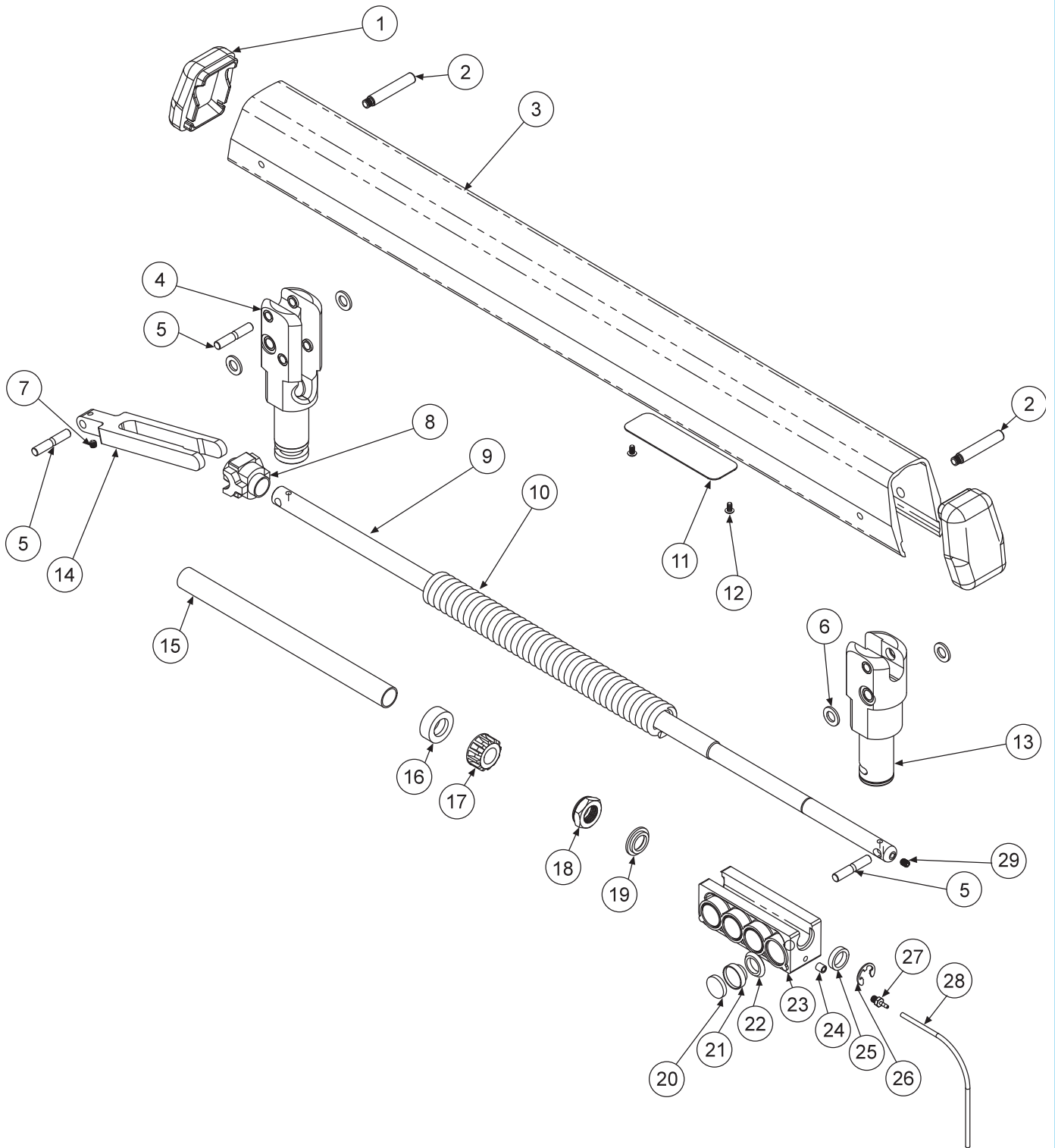
- Possible Causes
- A. Water pressure too high.
 - B. Air pressure too low.
 - C. Handpiece holder out of adjustment.

Symptom Water coolant is running continuously.

- Possible Causes
- A. Purge switch is on (on applicable systems).
 - B. Water pressure too high.
 - C. Handpiece holder out of adjustment.
 - D. Defective water relay valve.

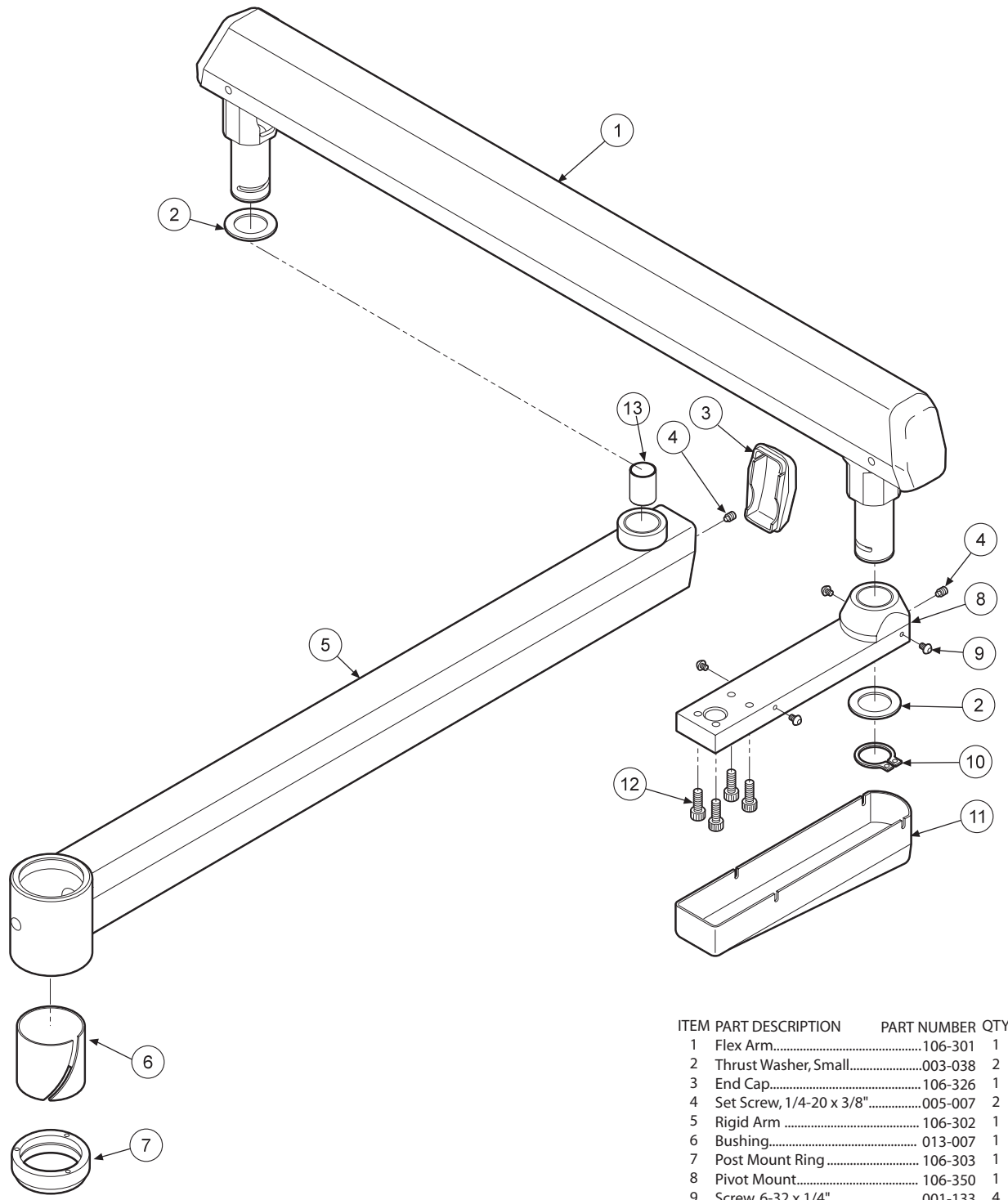


ITEM	PART DESCRIPTION	PART NUMBER	QTY	ITEM	PART DESCRIPTION	PART NUMBER	QTY	ITEM	PART DESCRIPTION	PART NUMBER	QTY
1	Hinge.....	107-083	2	11	Water Relay Valve.....	123-000	1	21	Barb, 10-32 x 1/16".....	022-009	9
2	Hex Nut 6-32.....	002-004	8	12	Holder Bar Mount.....	107-007	1	22	Ferrule, 1/8".....	117-007	32
3	Cover.....	107-112	1	13	Holder Bar.....	107-006	1	23	Indicator.....	026-020	1
4	Chassis.....	107-110	1	14	Automatic Holder.....	122-200	3	24	Momentary Valve.....	120-005	1
5	Automatic Handpiece Block.....	125-030	1	15	Syringe Holder.....	141-200	1	25	Shuttle Valve.....	014-012	1
6	Handpiece Manifold.....	023-003	1	16	Screw, 8 x 1/2".....	001-018	8	26	Plastic Tee, 1/16".....	022-033	1
7	Gauge.....	026-023	1	17	Screw, 10-32 x 1/2".....	001-166	3	27	Screw, 8-32 x 3/8".....	001-151	4
8	Needle Flow Valve.....	121-000	4	18	Ferrule, 1/4".....	117-008	2	28	Syringe.....	113-400	1
9	3-way Toggle Valve.....	120-000	3	19	Barb, 10-32 x 1/8".....	022-010	4				
10	Base.....	107-111	1	20	Plastic Washer, 1/4".....	003-001	13				

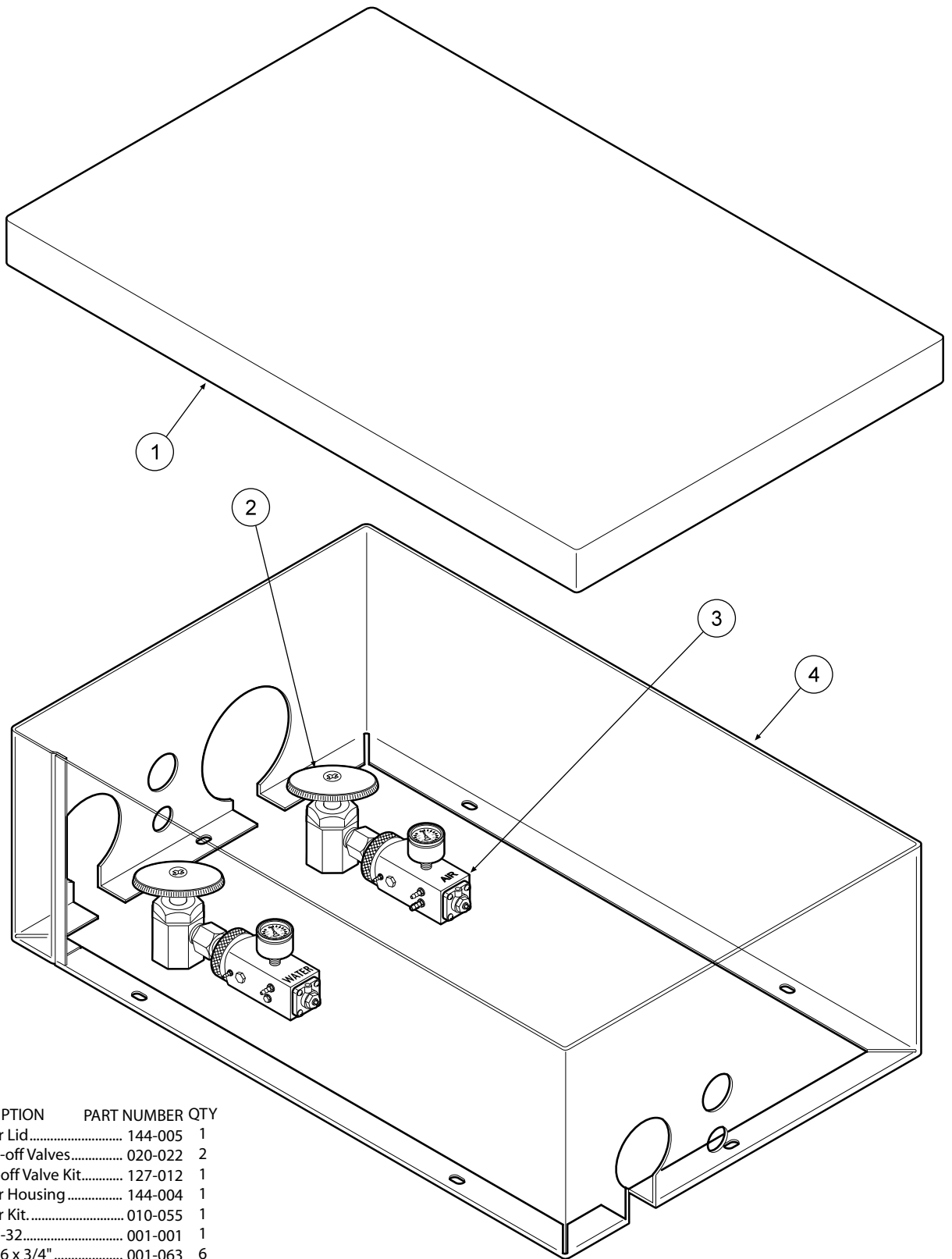


ITEM	PART DESCRIPTION	PART NUMBER	QTY	ITEM	PART DESCRIPTION	PART NUMBER	QTY	ITEM	PART DESCRIPTION	PART NUMBER
1	End Cap.....	106-319	2	11	Plug Adjustment.....	106-329	1	21	Piston, Brake.....	106-317
2	Pin, Arm Housing.....	009-030	2	12	Screw, 6-32 x 1/4".....	001-133	2	22	U-Cup.....	017-204
3	Arm Housing.....	106-314	1	13	Head Knuckle.....	106-337	1	23	Brake Housing.....	106-316
4	Arm Knuckle.....	106-322	1	14	Arm Fork Link.....	106-318	1	24	Ferrule, Delrin, 1/8".....	117-007
5	Pin Rod.....	009-031	3	15	Sleeve.....	106-321	1	25	Brake Collar, Threaded.....	106-324
6	Plastic Washer.....	003-040	4	16	Seat, Flex Arm Spring.....	106-320	1	26	Ring, Truarc, 5133-43.....	006-004
7	Set Screw, 10-32 x 3/16".....	005-037	1	17	Adjustment Nut.....	106-325	1	27	Barb 10-32 x 1/16".....	022-059
8	Spring Slider.....	106-311	1	18	Nut, Hex, Jam 9/16-18, Nylon Insert... ..	002-011	1	28	1/8" Supply Line, Black.....	115-028
9	Rod.....	106-327	1	19	Collar, w/Shoulder, Brake, Flex.....	106-338	1	29	Socket Set Screw, 10-32 x 1/4".....	005-035
10	Spring.....	008-019	1	20	Brake Pad.....	106-313	8			

FLEX ARM WITH PNEUMATIC BRAKE
106-301

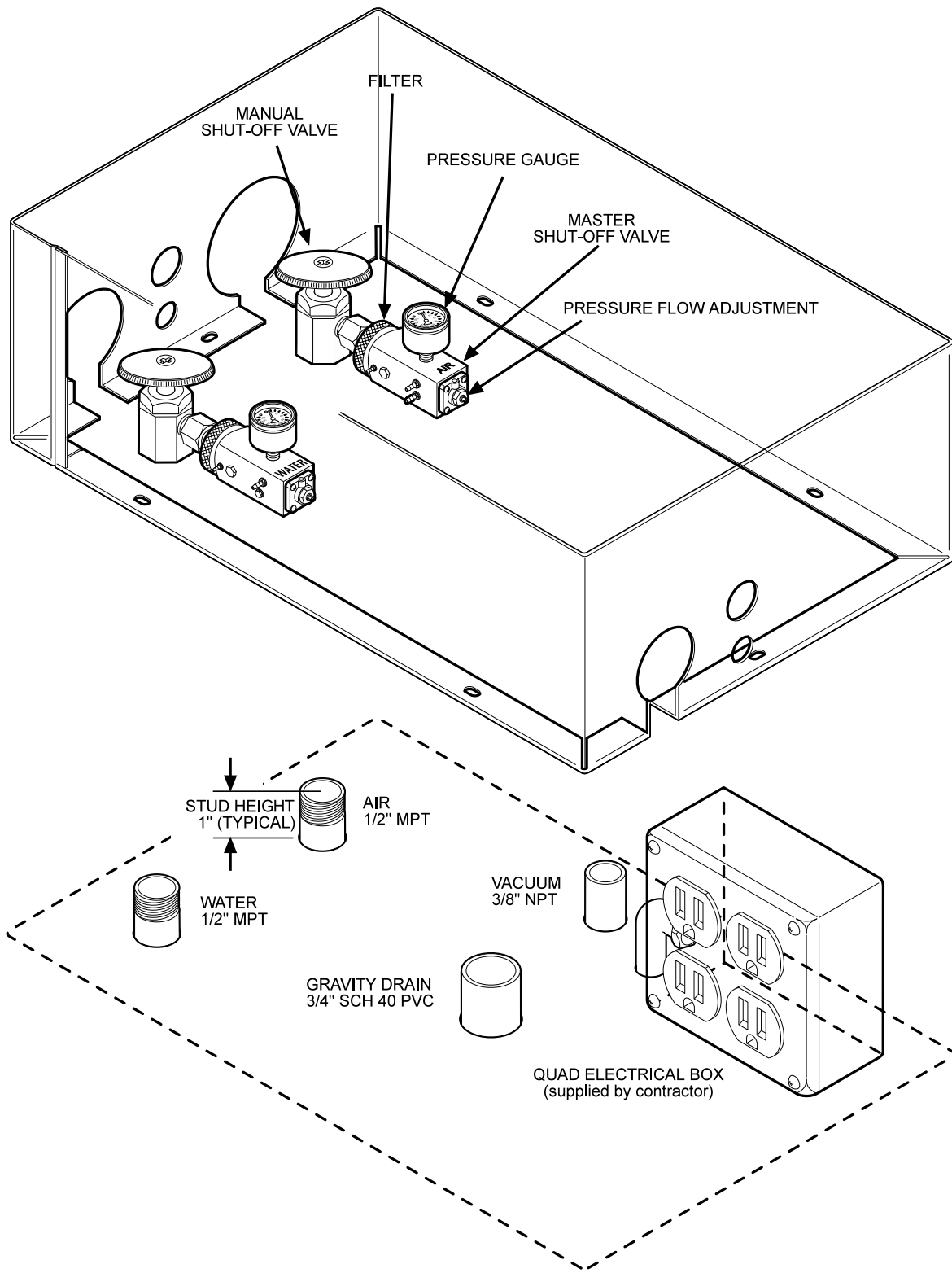


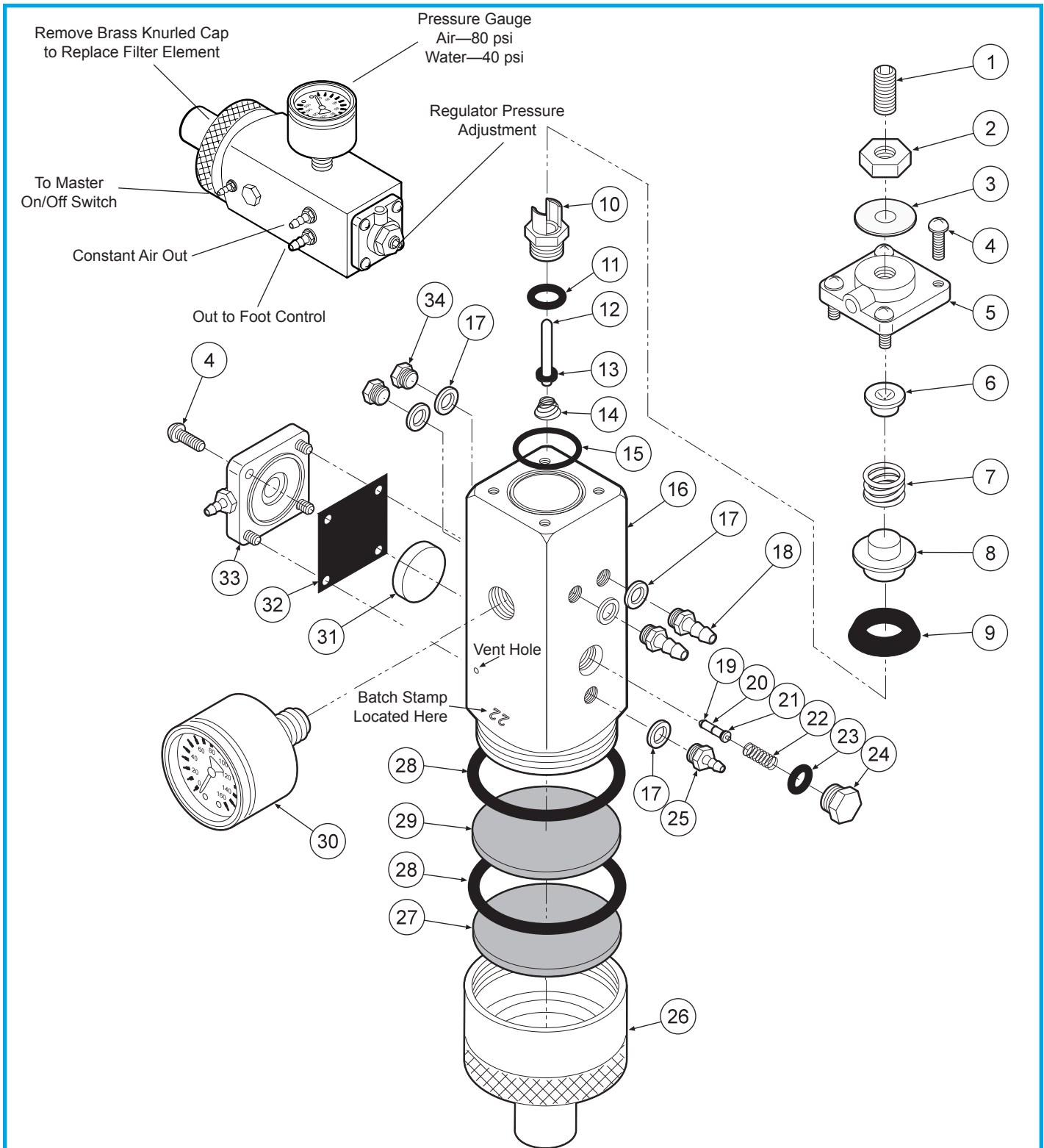
ITEM	PART DESCRIPTION	PART NUMBER	QTY
1	Flex Arm.....	106-301	1
2	Thrust Washer, Small.....	003-038	2
3	End Cap.....	106-326	1
4	Set Screw, 1/4-20 x 3/8".....	005-007	2
5	Rigid Arm.....	106-302	1
6	Bushing.....	013-007	1
7	Post Mount Ring.....	106-303	1
8	Pivot Mount.....	106-350	1
9	Screw, 6-32 x 1/4".....	001-133	4
10	Snap Ring.....	006-002	1
11	Pivot Mount Cover.....	106-352	1
12	Screw, 10-32 x 1".....	001-140	4
13	Bushing.....	013-019	1



ITEM	PART DESCRIPTION	PART NUMBER	QTY
1	Utility Center Lid.....	144-005	1
2	Manual Shut-off Valves.....	020-022	2
3	Master Shut-off Valve Kit.....	127-012	1
4	Utility Center Housing.....	144-004	1
	Utility Center Kit.....	010-055	1
	Plug, 10-32.....	001-001	1
	Screw, #6 x 3/4".....	001-063	6
	Plastic Washer, 1/4".....	003-001	2
	Plug, 3/4".....	010-005	2
	Plug, 1-3/8".....	010-008	1
	Plug, 1/2".....	010-013	1
	Plug, 1-1/2".....	010-015	1
	Plug, 2-1/4".....	010-017	1
	Plug, 13/16".....	010-016	2
	Barb, 10-32 x 1/16".....	022-009	1
	Barb, 10-32 x 1/8".....	022-010	1
	Ferrule, 1/8".....	117-007	4

UTILITY CENTER
144-018





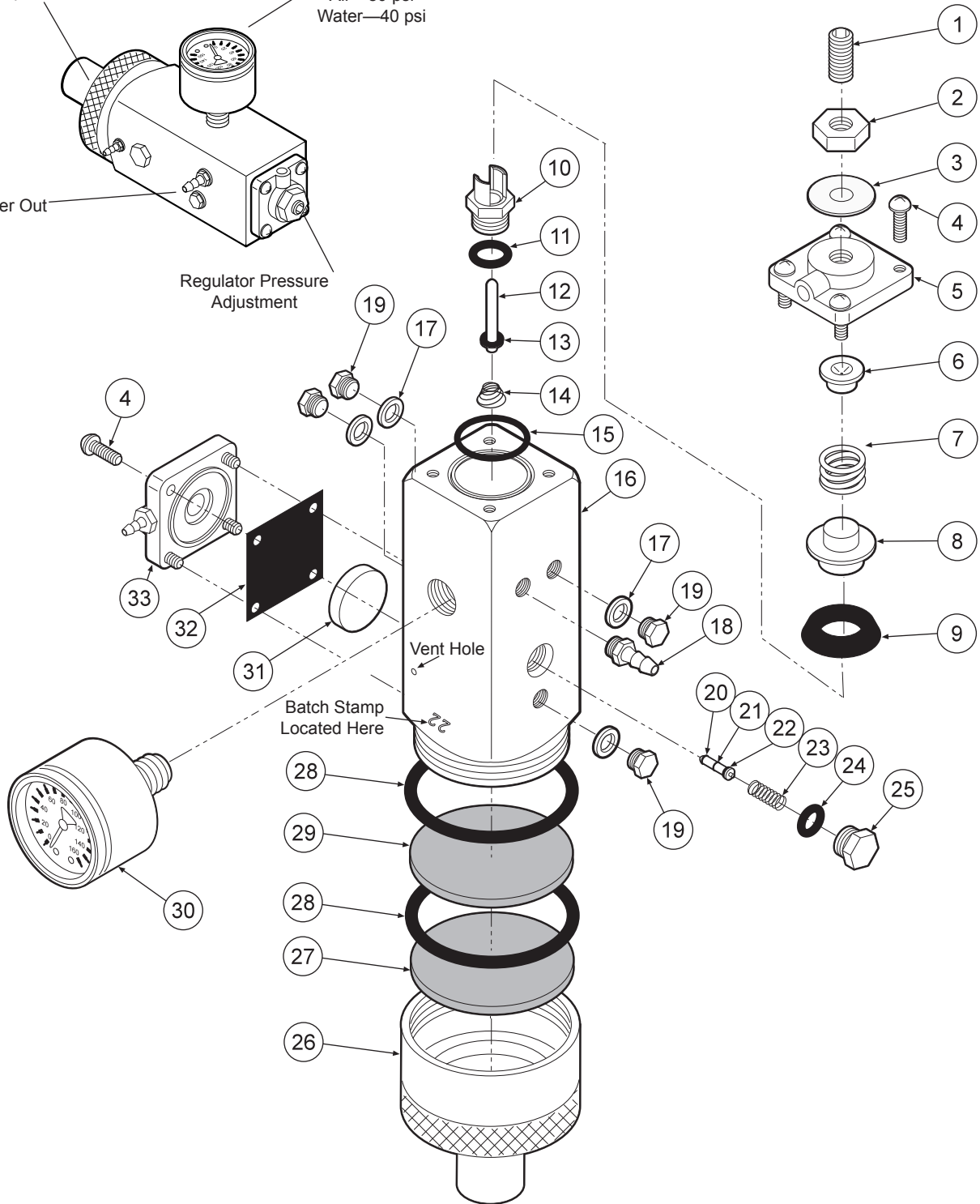
ITEM	PART DESCRIPTION	PART NUMBER	QTY	ITEM	PART DESCRIPTION	PART NUMBER	QTY	ITEM	PART DESCRIPTION	PART NUMBER	QTY
1	Set Screw, 1/4-20 x 5/8"	005-024	1	13	O-Ring, 004	017-104	1	24	Plug	020-026	1
2	Jam Nut, 1/4-20	002-006	1	14	Spring	008-028	1	25	Barb, 10-32 x 1/16"	022-009	1
3	Washer	003-015	1	15	O-Ring	017-018	1	26	Cap Inlet	127-041	1
4	Screw, 6-32 x 3/8"	001-041	8	16	Body	127-040	1	27	Filter Element, 100 Micron	119-005	1
5	Cap	127-033	1	17	Plastic Washer, 1/4"	003-001	5	28	O-Ring, 018	017-022	2
6	Spring Seat	127-043	1	18	Barb, 10-32 x 1/8"	022-010	2	29	Filter Element, 35 Micron	119-004	1
7	Spring	008-008	2	19	O-Ring, 001	017-501	2	30	Gauge	026-001	1
8	Cup Seat	127-044	1	20	Stem	127-045	1	31	Piston	123-014	1
9	Cup Seal	017-200	4	21	O-Ring, 003	017-103	1	32	Gasket	127-031	1
10	Seat	127-026	3	22	Spring	008-040	1	33	Cap	123-030	1
11	O-Ring, 008	017-008	2	23	O-Ring, 007	017-007	1	34	Plug	001-001	2
12	Stem	127-024	1								

Remove Brass Knurled Cap to Replace Filter Element

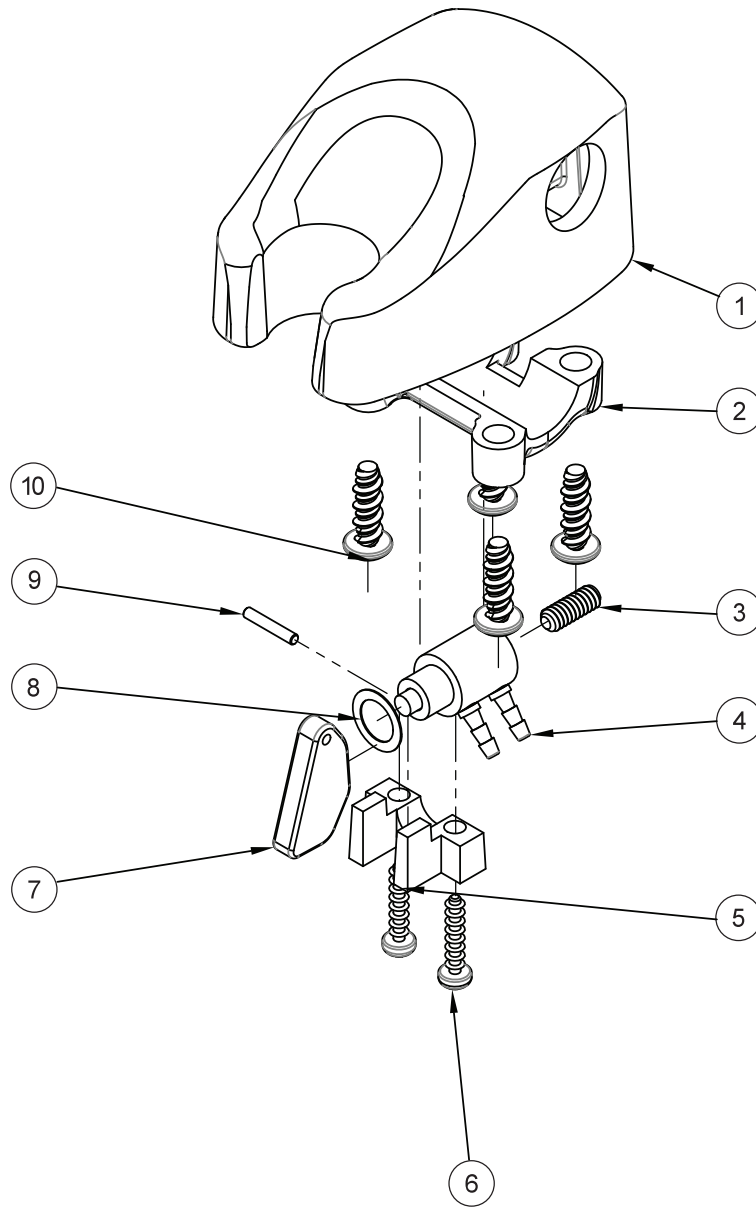
Pressure Gauge
Air—80 psi
Water—40 psi

Water Out

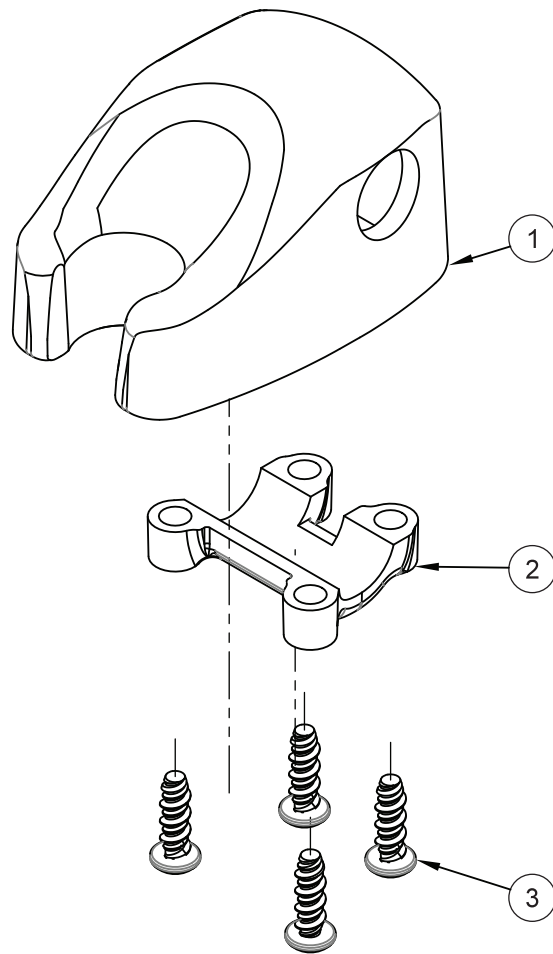
Regulator Pressure Adjustment



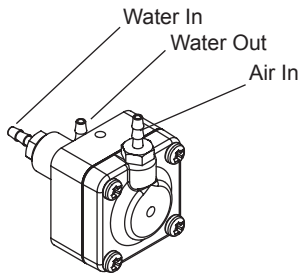
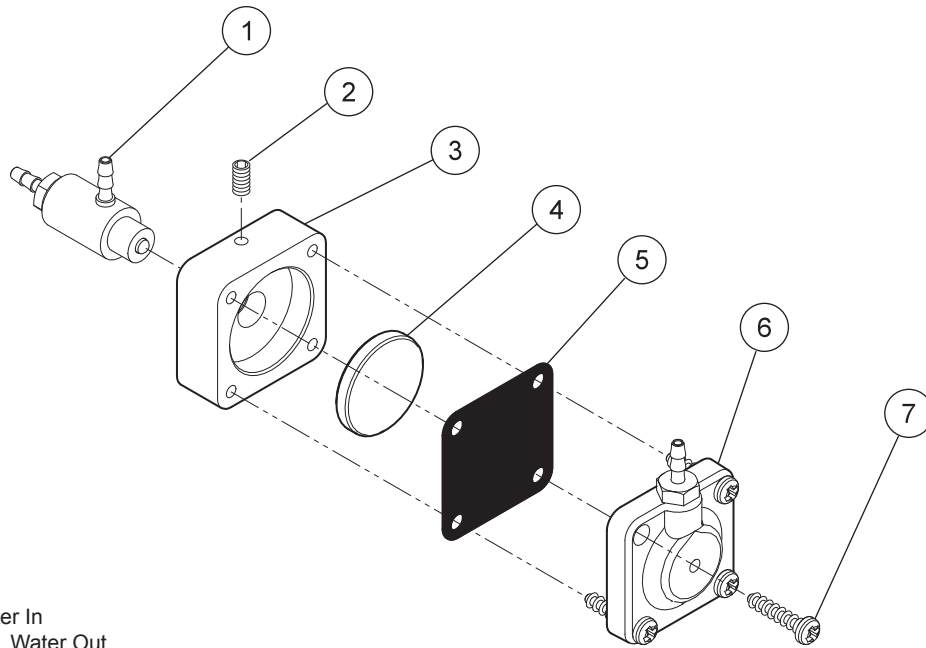
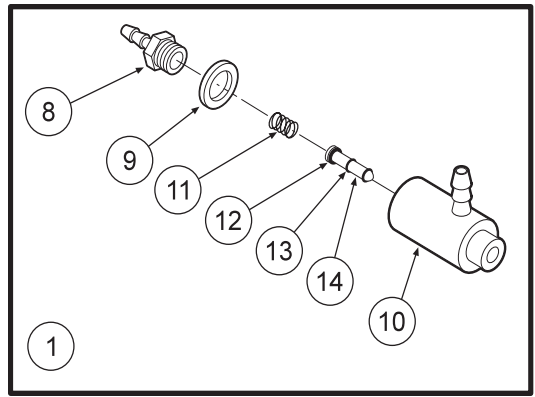
ITEM	PART DESCRIPTION	PART NUMBER	QTY	ITEM	PART DESCRIPTION	PART NUMBER	QTY	ITEM	PART DESCRIPTION	PART NUMBER	QTY
1	Set Screw, 1/4"-20 x 5/8"	005-024	1	12	Stem	127-024	1	23	Spring	008-040	1
2	Jam Nut, 1/4"-20	002-006	1	13	O-Ring, 004	017-104	1	24	O-Ring, 007	017-007	1
3	Washer	003-015	1	14	Spring	008-028	1	25	Plug	020-026	1
4	Screw, 6-32 x 3/8"	001-041	8	15	O-Ring	017-018	1	26	Cap Inlet	127-041	1
5	Cap	127-023	1	16	Body	127-040	1	27	Filter Element, 100 Micron	119-005	1
6	Spring Seat	127-043	1	17	Plastic Washer, 1/4"	003-001	1	28	O-Ring, 018	017-022	2
7	Spring	008-008	1	18	Barb, 10-32 x 1/8"	022-010	1	29	Filter Element, 35 Micron	119-004	1
8	Cup Seat	127-044	1	19	Plug	001-001	4	30	Gauge	126-001	1
9	Cup Seal	017-200	1	20	O-Ring, 001	017-501	2	31	Piston	123-014	1
10	Seat	127-026	1	21	Stem	127-045	1	32	Gasket	127-031	1
11	O-Ring, 008	017-008	1	22	O-Ring, 003	017-103	1	33	Cap	123-012	1



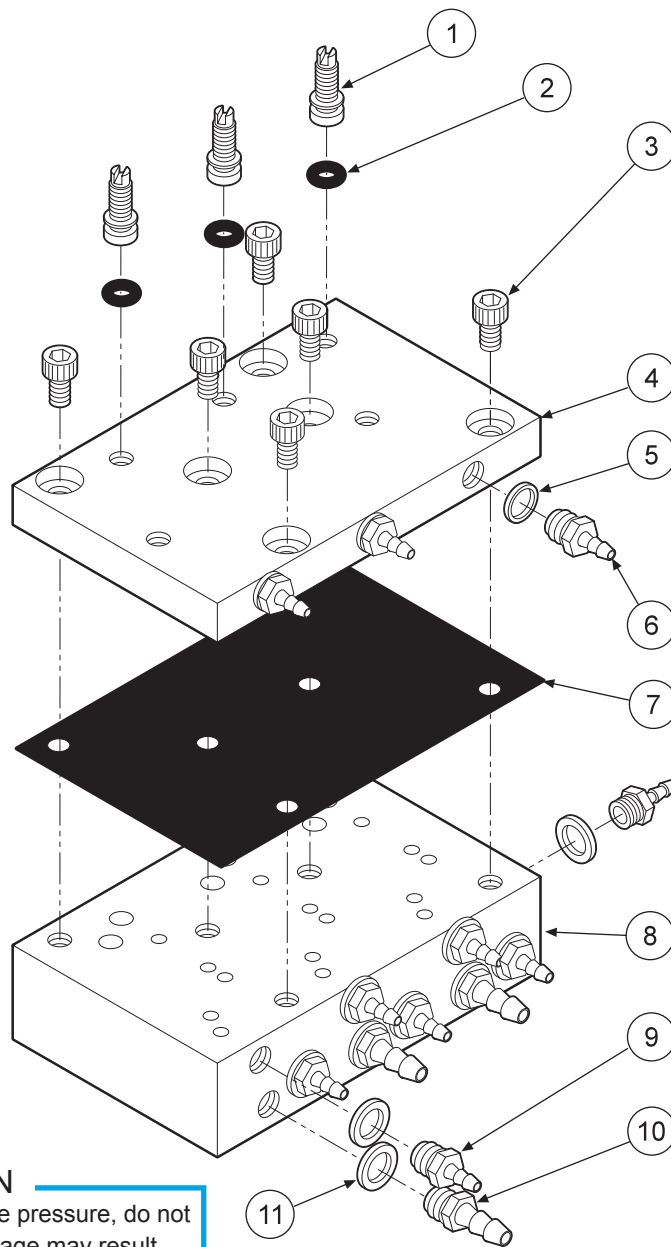
ITEM	PART DESCRIPTION	PART NUMBER	QTY
1	Molded Body.....	122-201	1
2	Clamp	122-104	1
3	Set Screw, 6-32 x 3/8".....	005-012	1
4	Valve Cartridge.....	122-031	1
5	Molded Clip.....	122-102	1
6	Screw, 4 x 1/2".....	001-019	2
7	Handpiece Actuator Lever.....	122-103	1
8	Washer.....	003-004	1
9	Pin, 1/16"x3/8" Dowel.....	009-010	1
10	Screw, 8-18 x 1/2".....	001-267	4



ITEM	PART DESCRIPTION	PART NUMBER	QTY
1	Molded Body.....	141-201	1
2	Clamp	122-204	1
3	Screw, 8-32 x 1/2".....	001-267	4



ITEM	PART DESCRIPTION	PART NUMBER	QTY
1	Cartridge Body Assembly.....	123-018	1
2	Set Screw, 4-40 x 5/8".....	005-028	1
3	Body.....	123-013	1
4	Piston.....	123-014	1
5	Diaphragm.....	127-031	1
6	Cap.....	123-012	1
7	Screw, #6 x 1/2".....	001-267	4
8	Barb, 10-32 x 1/16".....	022-009	1
9	Plastic Washer, 1/4".....	003-001	1
10	Valve Body.....	123-017	1
11	Spring.....	008-011	1
12	O-Ring, 002.....	017-502	1
13	O-Ring, 001.....	017-501	2
14	Stem.....	123-015	1



CAUTION

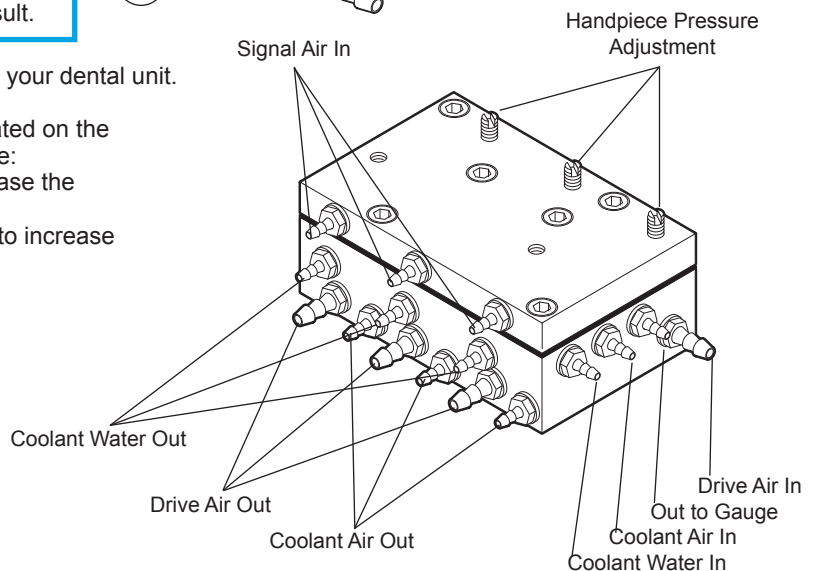
When adjusting the handpiece pressure, do not over-tighten the screws. Damage may result.

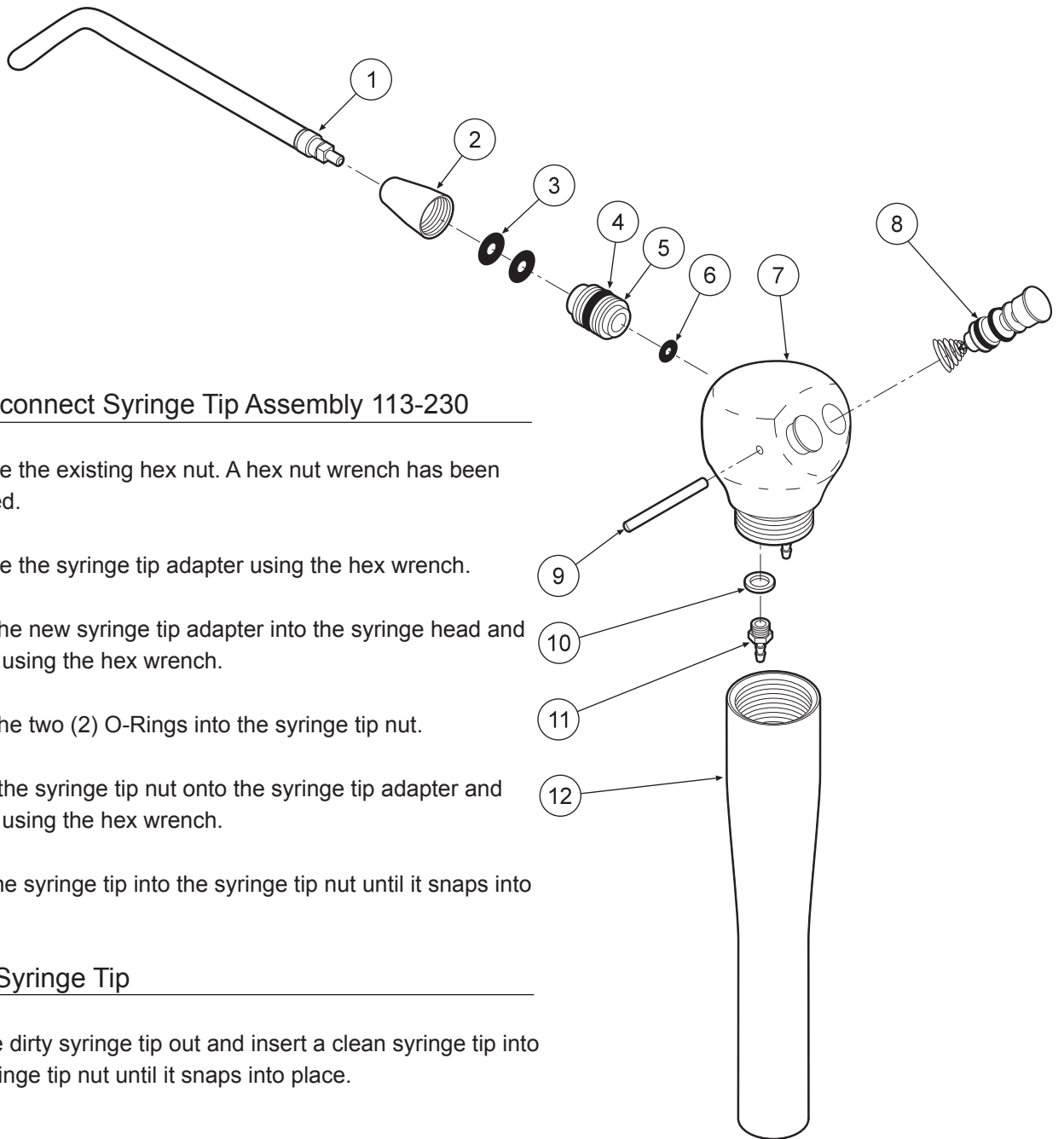
The automatic control block is the control center for your dental unit.

Individual handpiece pressure adjustments are located on the autoblock. To adjust the pressure to each handpiece:

- a. Turn adjustment screw clockwise to decrease the handpiece pressure.
- b. Turn adjustment screw counter-clockwise to increase the handpiece pressure.

ITEM	PART DESCRIPTION	PART NUMBER	QTY
1	Adjusting Stem.....	125-023	3
2	O-Ring, 021.....	017-021	3
3	Screw, 6-32 x 1/4".....	001-131	7
4	Cap.....	125-032	1
5	Plastic Washer, 8-32 x 1/16".....	003-030	3
6	Barb, 8-32 x 1/16".....	022-040	3
7	Diaphragm.....	125-016	1
8	Body.....	125-031	1
9	Barb, 10-32 x 1/16".....	022-009	9
10	Barb, 10-32 x 1/8".....	022-010	4
11	Plastic Washer, 1/4".....	003-001	13





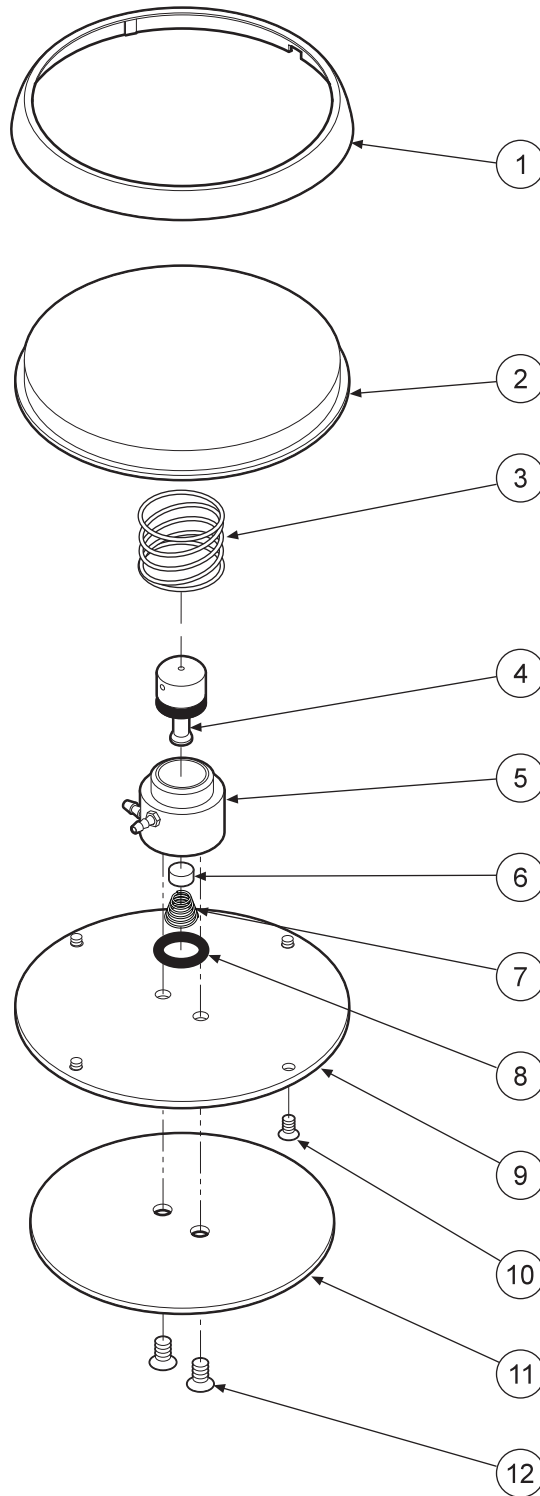
Quick-disconnect Syringe Tip Assembly 113-230

1. Remove the existing hex nut. A hex nut wrench has been provided.
2. Remove the syringe tip adapter using the hex wrench.
3. Insert the new syringe tip adapter into the syringe head and tighten using the hex wrench.
4. Place the two (2) O-Rings into the syringe tip nut.
5. Screw the syringe tip nut onto the syringe tip adapter and tighten using the hex wrench.
6. Push the syringe tip into the syringe tip nut until it snaps into place.

Replace Syringe Tip

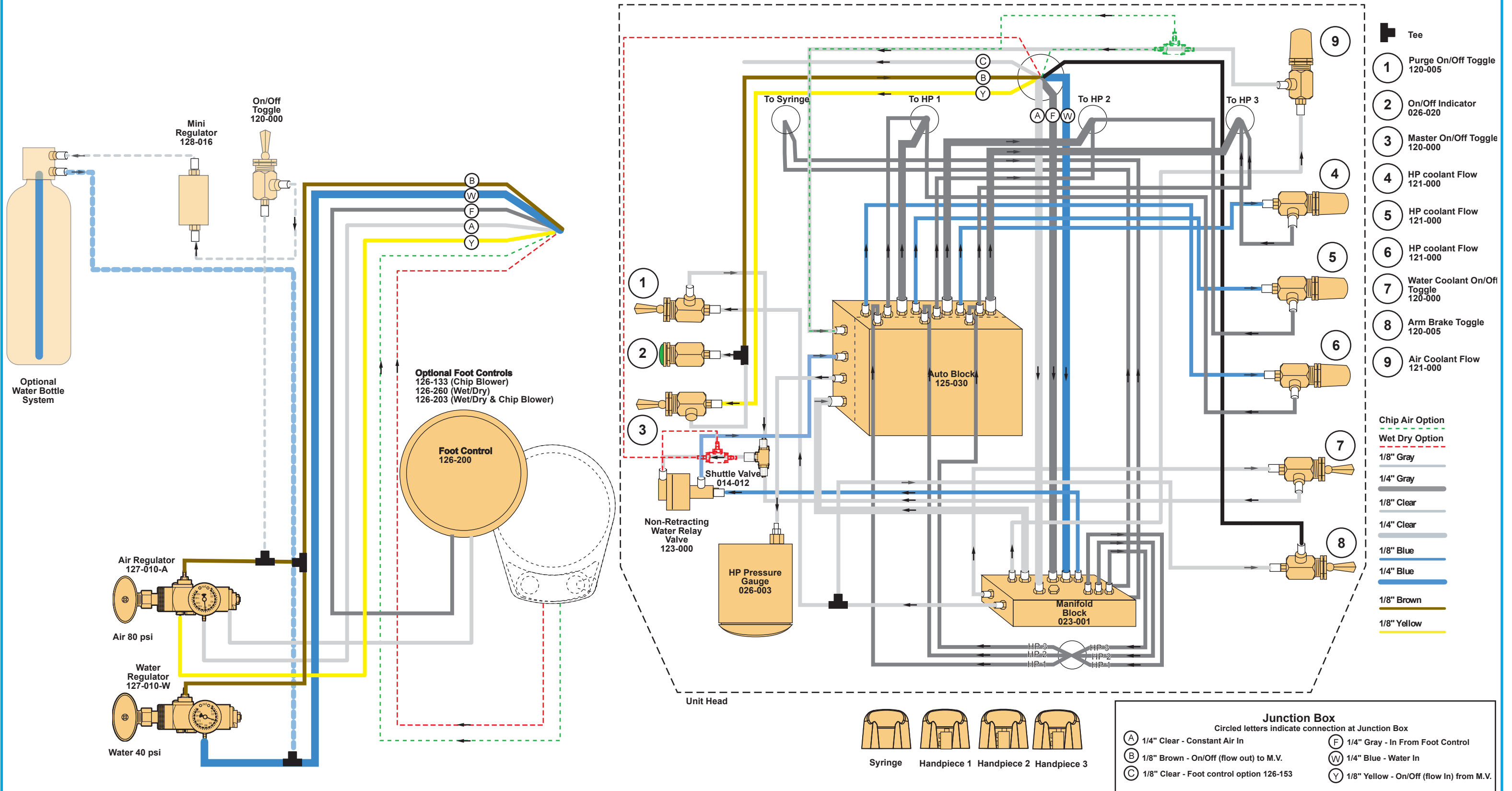
1. Pull the dirty syringe tip out and insert a clean syringe tip into the syringe tip nut until it snaps into place.

ITEM	PART DESCRIPTION	PART NUMBER	QTY
1	Syringe Tip	113-030	1
2	Syringe Tip Nut.....	113-402	1
3	O-Ring, 006	017-006	2
4	O-Ring, 228-040	017-023	1
5	Syringe Tip Adapter.....	113-227	1
6	O-Ring, 003	017-003	1
7	Syringe Head.....	113-405	1
8	Syringe Button Repair Kit	113-403	2
9	Pin, Syringe Cartridge	113-008	1
10	Plastic Washer, 8-32.....	003-030	2
11	Barb, 8-32 x 1/16"	022-040	2
12	Syringe Handle.....	113-236	1



ITEM	PART DESCRIPTION	PART NUMBER	QTY
1	Ring.....	126-202	1
2	Cover.....	126-201	1
3	Spring.....	008-005	1
4	Stem (Includes 017-012 o-ring).....	126-005	1
5	Body.....	126-004	1
6	Poppet.....	126-006	1
7	Spring.....	008-006	1
8	O-Ring, 013.....	017-013	1
9	Baseplate.....	126-003	1
10	Screw, 4-40 x 1/4".....	001-005	4
11	Rubber Pad.....	126-007	1
12	Screw, 6-32 x 1/4".....	001-004	2

3 Handpiece Automatic S-3300



WARRANTY

BDS warrants its product to be free of defects in material and workmanship for SEVEN FULL YEARS from the date of purchase on all units. Auto-blocks and standard foot controls are covered by a LIFETIME warranty when factory installed as part of a complete dental system. Upholstery has a TWO YEAR warranty and does not cover normal wear, stains, cuts or tears. Our LED lights have a FIVE year Warranty and our halogen light has a ONE year Warranty. Operatory chair motors feature a TEN year warranty. All warranty is limited to repair or replacement by BDS. Products returned to the factory and determined to be defective will be repaired or replaced free of charge at discretion of BDS. The warranty does not cover light bulbs, electrical components and trimmed or installed tubing. BDS reserves the right to void all warranties if any product is installed by other than an authorized technician. BDS' warranty does not cover damage to any surface finish, including but not limited to, discoloration or abrasion from cleaners, disinfectants or light sources. No claim for labor or consequential damages will be allowed. Return items must include a copy of the invoice or packing slip as proof of purchase.

**Beaverstate Dental Inc.
115 S. Elliott Rd.
Newberg, OR 97132
800-237-2303
503-538-8756
503-538-2845 Fax
www.beaverstatedental.com**
