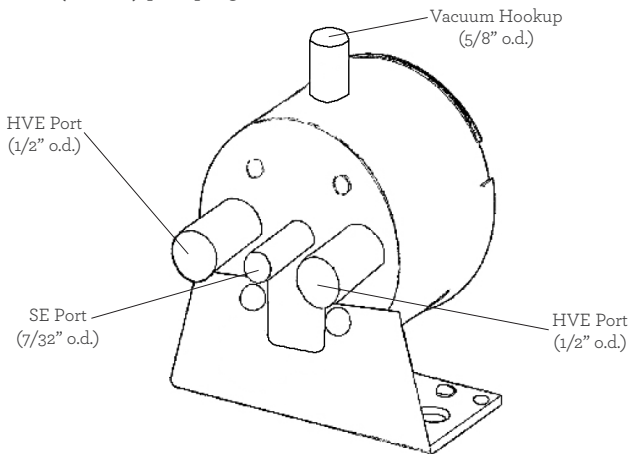


Vacuum Canister Installation

(Model #30-59)

- Step 1-** Turn off central vacuum system.
- Step 2-** Mount canister with mounting bracket (included).
- Step 3-** Attach high 5/8" i.d. main line vacuum tubing to vacuum hookup port.
- Step 4-** Attach high volume evacuation tubings to both HVE ports & saliva ejector tubing to the SE port.

NOTE: Any unused ports must be plugged for proper function with a (#30-90) port plug.



AMERICANdental
accessories

7310 Oxford Street • St. Louis Park, MN • 55426

Phone (800) 331-7993 • Fax (888) 729-1016

www.amerdental.com