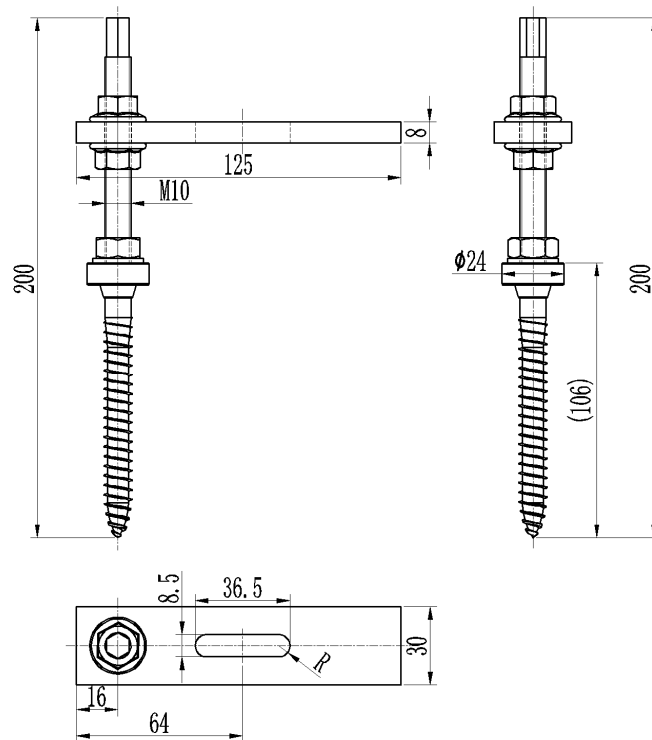


Product Specification

HOP-DS-200M10A1-S16 Ver: 1.0



Name	Double Threaded Rafter Screws M10*200mm (Aluminum)
Stock Code	DS-200M10A1-S16
Weight(g)	218
BOM	HOP-D016-0001 (AL6005-T5) x 1 Φ24×13.5 Rubber mat (EPDM) x 1 HOP-L23-200 (SUS304) x1 M10 flange Hexagon Nuts (SUS304) x 2 M10 Hexagon Nuts (SUS304) x 1 D10 plain washers(SUS304) x1
Packing	30pcs
Carton size	260×205×180