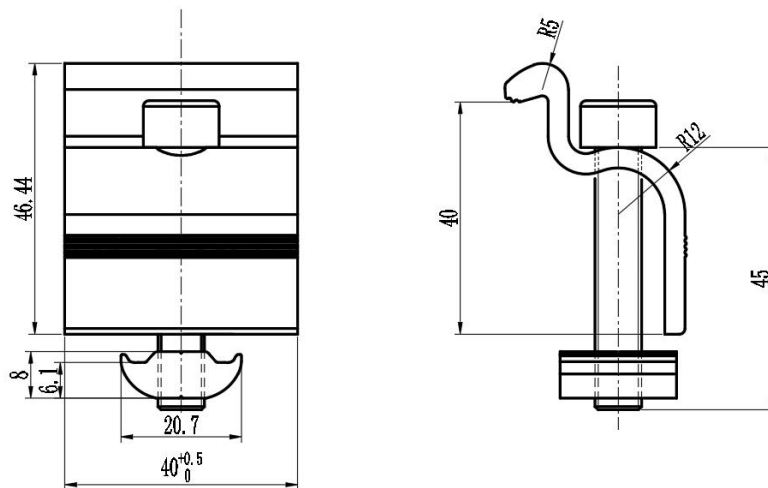


Product Specification

HOP-PC-FEC40-NS2 Ver: 1.0



Name	Fits End Clamp (28-40mm)
Stock Code	PC-FEC40-NS2
Weight(g)	58
BOM	SL-V05-0040 (AL6005-T5) x 1 HOP-G92-0020 (AL6005-T5) x 1 M8*45 Hexagon socket head cap screws (SUS304) x1
Packing	100pcs
Carton size	260×205×180