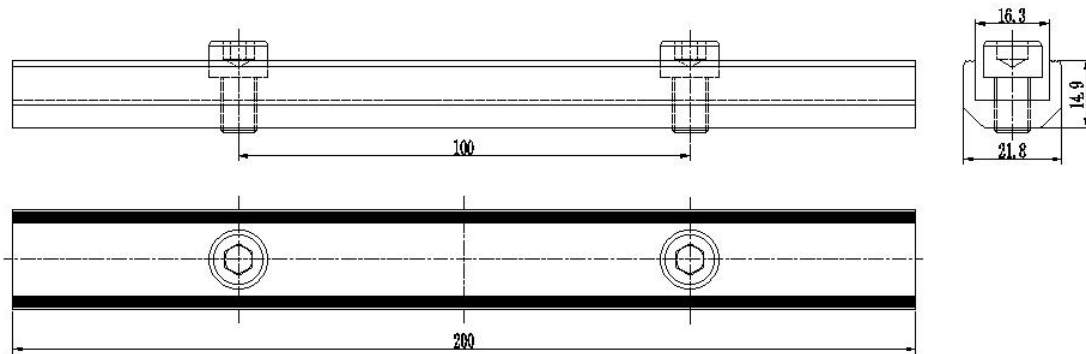


Product Specification

HOP-SK-SSB Ver: 1.0



Name	Select Rail Joiner
Stock Code	SK-SSB
Weight(g)	108
BOM	HOP-F23-0200 (AL6005-T5) x 1 M8*12 Hexagon socket head cap screws (SUS304) x2
Packing	70pcs
Carton size	260 × 205 × 180