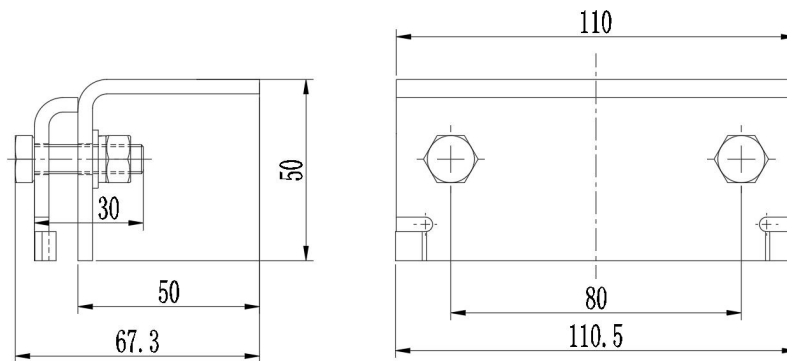


Product Specification

HOP-TRB-C05 Ver: 1.0



Name	Stainless Steel Tin Interface Bracket #1
Stock Code	TRB-C05
Weight(g)	557
BOM	HOP-L01-0110 (SUS304) x 1
	HOP-L02-0110 (SUS304) x 1
	M8*30 Hexagon head screws (SUS304) x2
	d8 plain washers(SUS304) x2
	d8 Spring washers (SUS304) x2
	M8 Hexagon Nuts(SUS304) x2
Packing	25pcs
Carton size	260×205×180