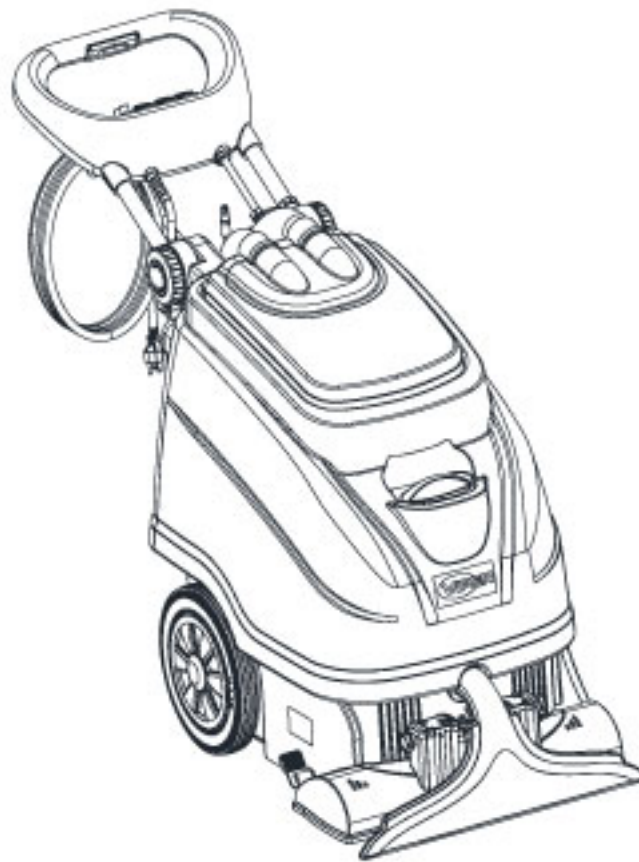


# PARTS LIST

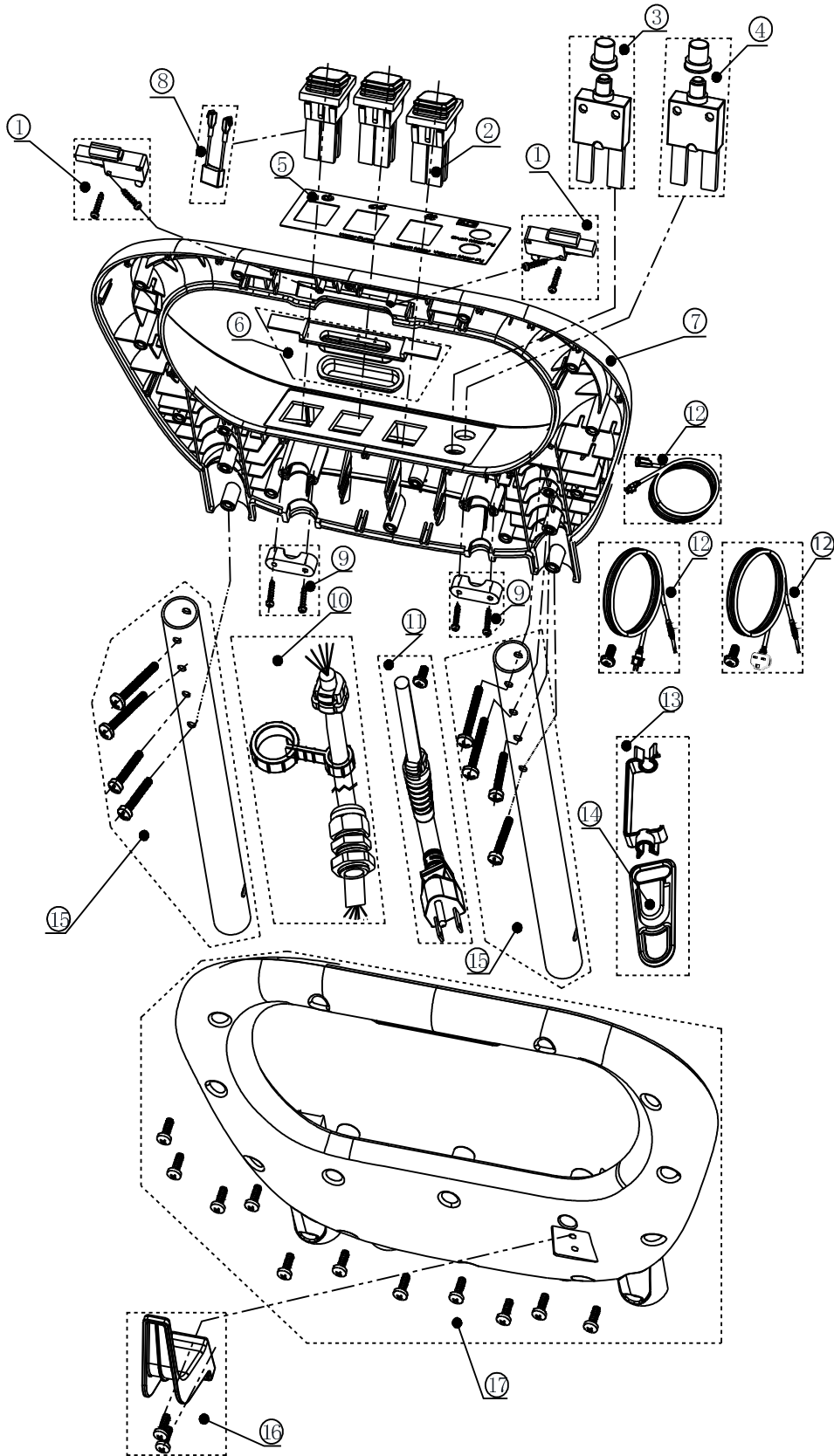


2022.07.25

# TABLE OF CONTENTS

---

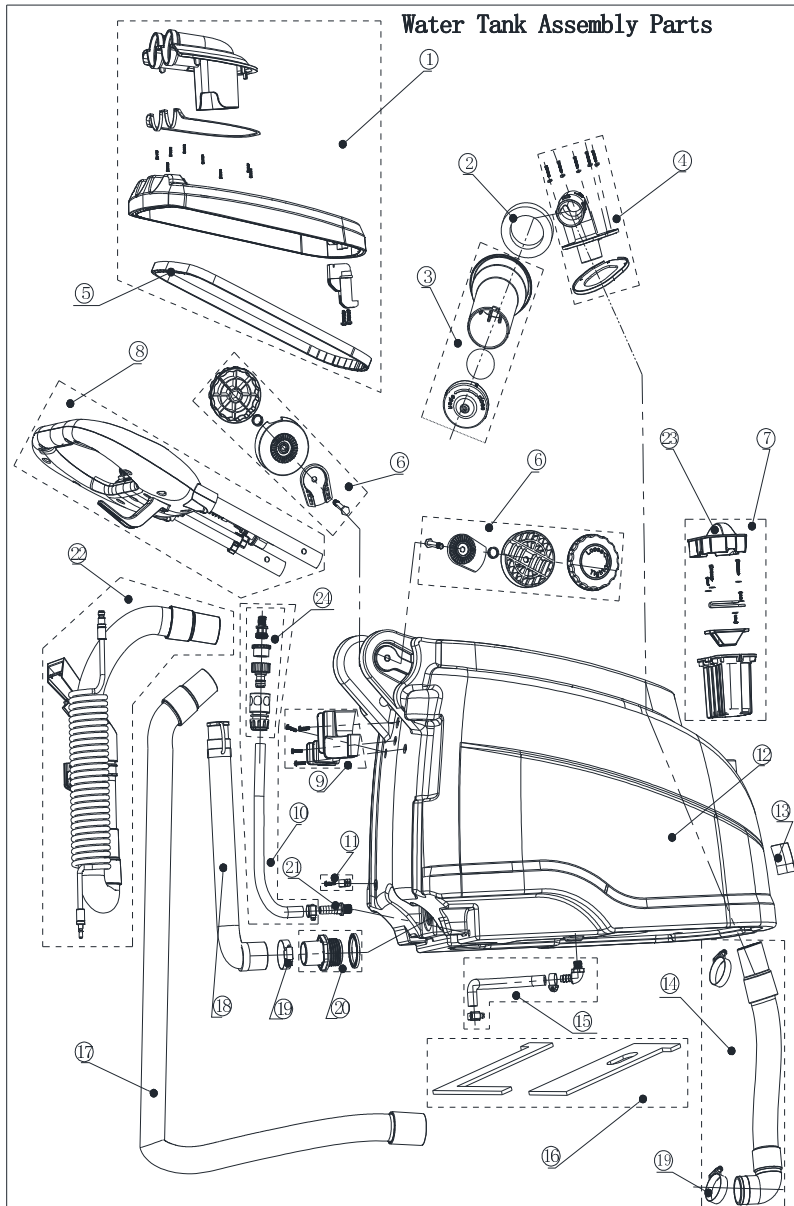
Handle .....	1
Water tank .....	3
Base part 1 .....	5
Base part 2 .....	7
Base part 3 .....	9
Bottom Base part 4 .....	11
Handle tools .....	13
VV78350 SINGLE SPRAYER KIT .....	15
Suction tool .....	17
Wear and Tear Parts .....	19



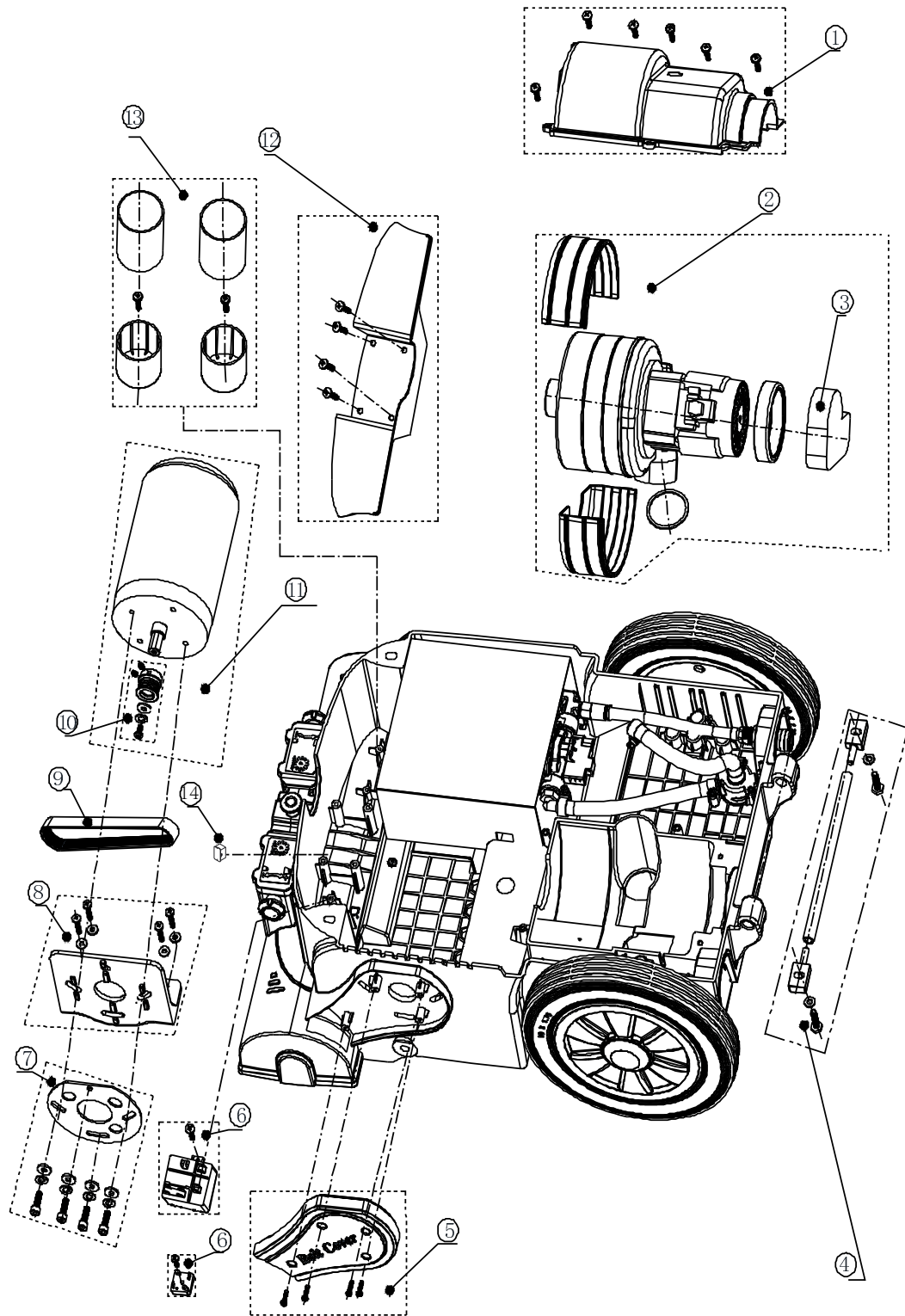
No.	Part No.	Qty.	Description	Part Note
1	VV81063	2	MICRO SWITCH - ROLLER BRUSH AND PUMP KIT	
2	VA81940	3	WATERPROOF SWITCH	
3	VV81065	1	12A CIRCUIT BREAKER	[1]
3	VV81064	1	6A CIRCUIT BREAKER	[2]
4	VV81064	1	6A CIRCUIT BREAKER	[1]
4	VV81342	1	4A CIRCUIT BREAKER	[2]
5	VV81201-1	1	CONTROL PANEL LABEL	
6	VV81066	1	PLASTIC BUTTON KIT	
7	VV81101	1	HANDLE FRONT COVER	
8	VA80705	1	CAPACITOR ASSY	
9	VV81074	1	WIRE CLIP KIT	
10	VV81069	1	MAIN CABLE KIT	
11	VV81070	1	US PIG TAIL CORD KIT	
12	VV81428-1	1	CORD FIXED 15M EU	[2]
12	VV67116	1	CORD DETACHABLE 50 FEET US	[1]
12	VV81421-1	1	CORD FIXED 15M UK 220-240V	
12	VV81430-1	1	CORD FIXED 15M CN	[3]
13	VV81071	1	POWER CORD CONNECTION PLATE KIT US	
14	56382008	1	BELT CLIPS EU CN	
15	VV81072	2	HANDLE IRON PIPE KIT	
16	VV81073	1	CORD HOOK KIT	
17	VV81067	1	HAND REAR COVER KIT	

## Part Notes:

- [1] - US  
 [2] - EU  
 [3] - CN

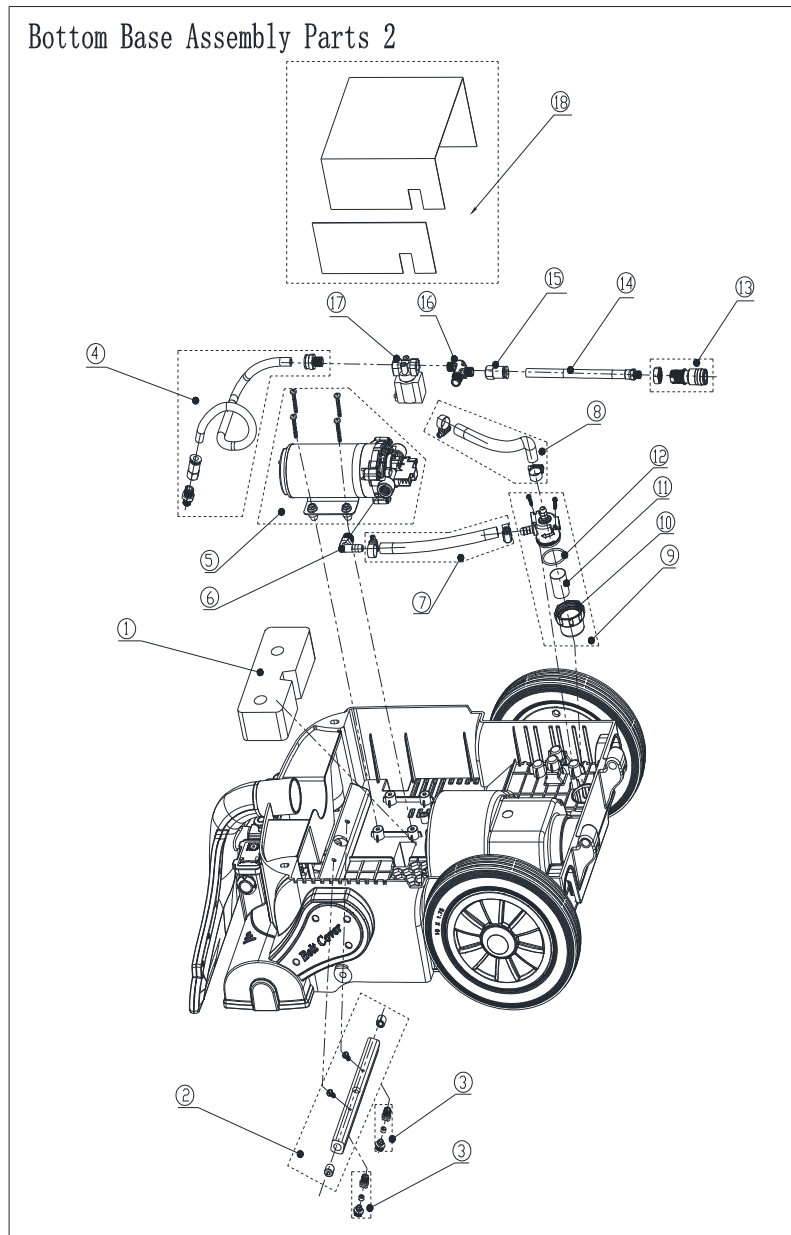


No.	Part No.	Qty.	Description	Part Note
1	VV81054	1	RECOVERY TANK LID KIT	
2	VV81210	1	FLOAT BALL CAGE FILTER SPONGE	
3	VV81075	1	FLOAT BALL CAGE KIT	
4	VV81076	1	FLOAT MOUNTING BRACKET KIT	
5	VV81359	1	RECOVERY TANK LID GASKET	
6	VV81077	2	HANDLE ADJUSTING PARTS KIT	
7	VV81078	1	SOLUTION TANK LID KIT	
8	VV81051	1	US VERSION HANDLE ASSEMBLY KIT	
8	VV81048	1	EU VERSION HANDLE ASSEMBLY KIT	
8	VV81049	1	UK VERSION HANDLE ASSEMBLY KIT	
8	VV81050	1	CN VERSION HANDLE ASSEMBLY KIT	
9	VV81079	1	HOSE CLIP KIT	
10	VV81080	1	SOLUTION TANK WATER LEVEL HOSE KIT	
11	VV81081	1	MAIN CORD SLEEVE KIT	
12	VV81141	1	WATER TANK	
13	VV81014	1	VIPER LOGO LABEL	
14	VV81324	1	EXHAUST HOSE KIT	
15	VV81326	1	PVC HOSE WITH SPRING KIT	
16	VA82183	1	WATER TANK EVA SEALING MAT KIT	
17	VV81158	1	VACUUM HOSE	
18	VV81159	1	DRAIN HOSE	
19	VA20304	3	CLAMP	
20	VV81082	1	DRAIN HOSE CONNECTOR KIT	
21	VF85105	1	HOLDER RUBBER 1/4INCH TUBO D.10	
22	VV81250	1	UPHOLSTERY TOOL KIT INCL HOSE 63-250CM	
23	VV81116	1	SOLUTION LID	
24	VV81352	1	PLASTIC QUICK CONNECTOR KIT	

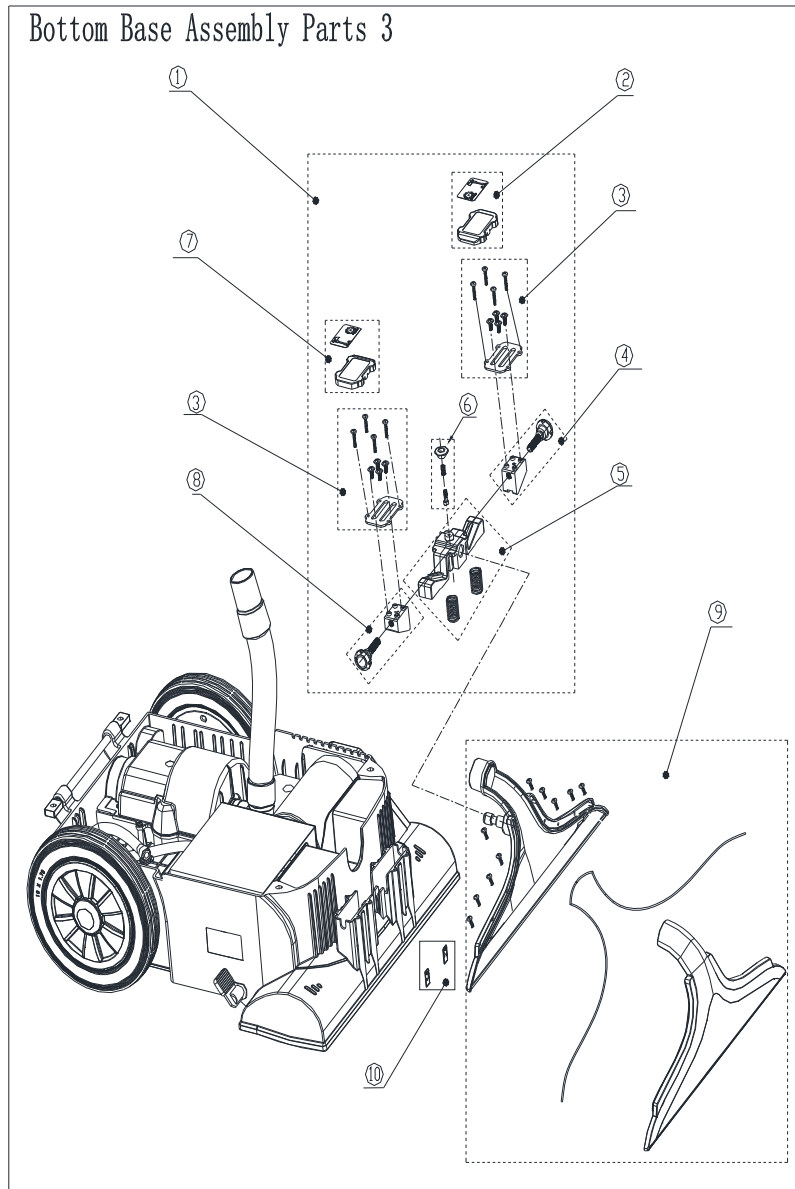


No.	Part No.	Qty.	Description	Part Note
1	VV81083	1	VACUUM MOTOR COVER KIT	
2	VV81327	1	120V VACUUM MOTOR KIT	
2	VV81328	1	220~240 VACUUM MOTOR KIT	
3	VV81215	1	MOTOR SUCTION GATE SPONGE	
4	VV81085	1	WATER TANK ROTATION SHAFT KIT	
5	VV81086	1	BELT COVER KIT	
6	VV81330	1	US RECTIFIER KIT	
6	VV81329	1	EU RELAY KIT	
7	VV81088	1	BRUSH MOTOR ATTACHMENT KIT	
8	VV81089	1	BRUSH MOUNTING BASE KIT	
9	VV81042	1	V BELT	
10	VV81090	1	MAIN SHEAVE KIT	
11	VV81331	1	120V 300W BRUSH MOTOR KIT	
11	VV81332	1	220-240V BRUSH MOTOR KIT	
12	VV81091	1	WATERPROOF BAFFLE KIT	
13	VV81321	1	CAPACITY HOLDER KIT EU	
14	VV81444	1	EMI KIT	





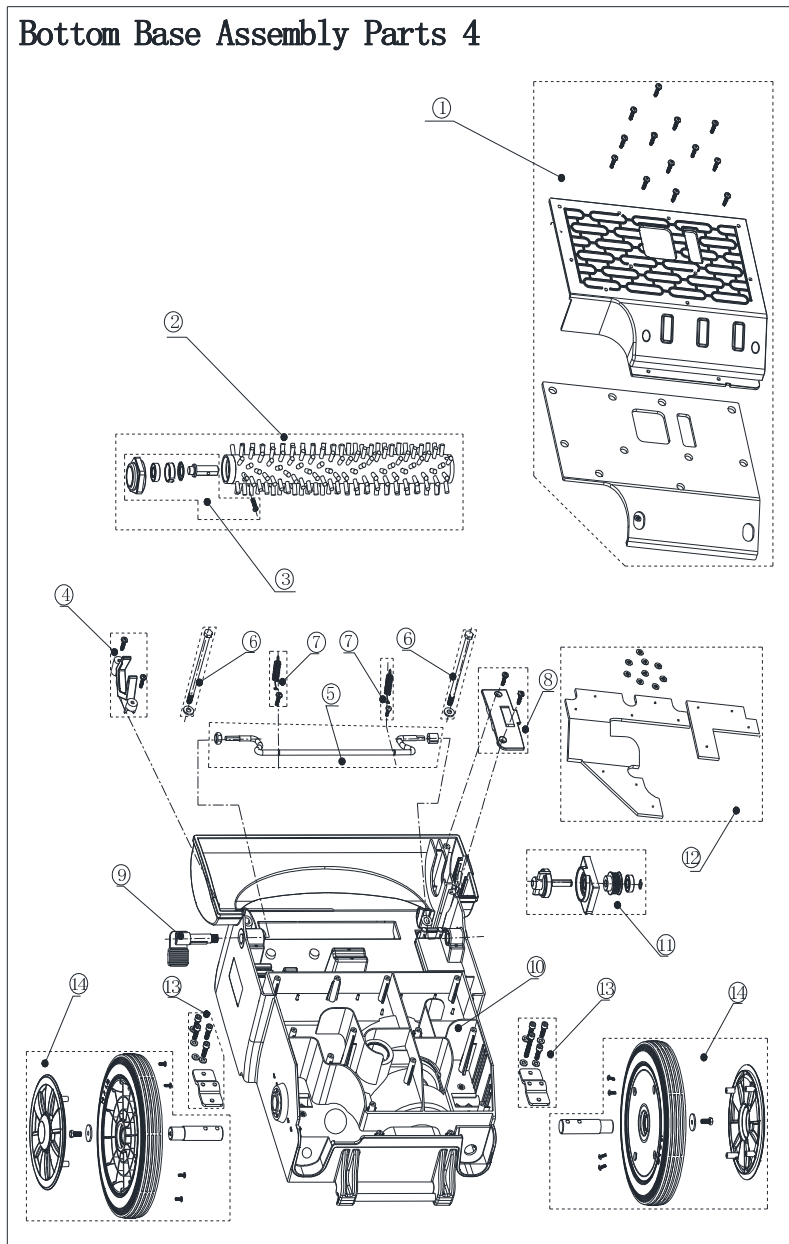
No.	Part No.	Qty.	Description	Part Note
1	VV81214	1	SPONGE FOR EXHAUST HOSE	
2	VV81100	1	SPRAY TUBE KIT	
3	VV81099	2	SPRAY NOZZLE KIT	
4	VV81335	1	HI PRESSURE WATER HOSE KIT	
5	VV81336	1	120V PUMP KIT	
5	VV81337	1	220V~240V PUMP KIT	
6	VV81229	1	90 DEGREE PLASTIC CONNECTOR	
7	VV81338	1	LOW PRESSURE PVC HOSE KIT	
8	VV81339	1	WATER HOSE WITH SPRING KIT	
9	VV81302	1	SOLUTION FILTER KIT	
10	VF90603	1	FILTER COVER	
11	VF90608	1	FILTER NET	
12	VF90607	1	O-RING	
13	VV81303	1	FEMALE QUICK CONNECTOR KIT	
14	VV81224	1	WATER HOSE WITH CONNECTOR KIT	
15	VV81220	1	1/4 INCH NPT QUICK CONNECTOR	
16	VA82108	1	THREE-WAY CONNECTOR	
17	VV81427	1	120V SOLUTION SOLENOID	
17	VV81426	1	230V SOLUTION SOLENOID	
18	VV81304	1	PUMP WATER PROOF PARTS KIT	



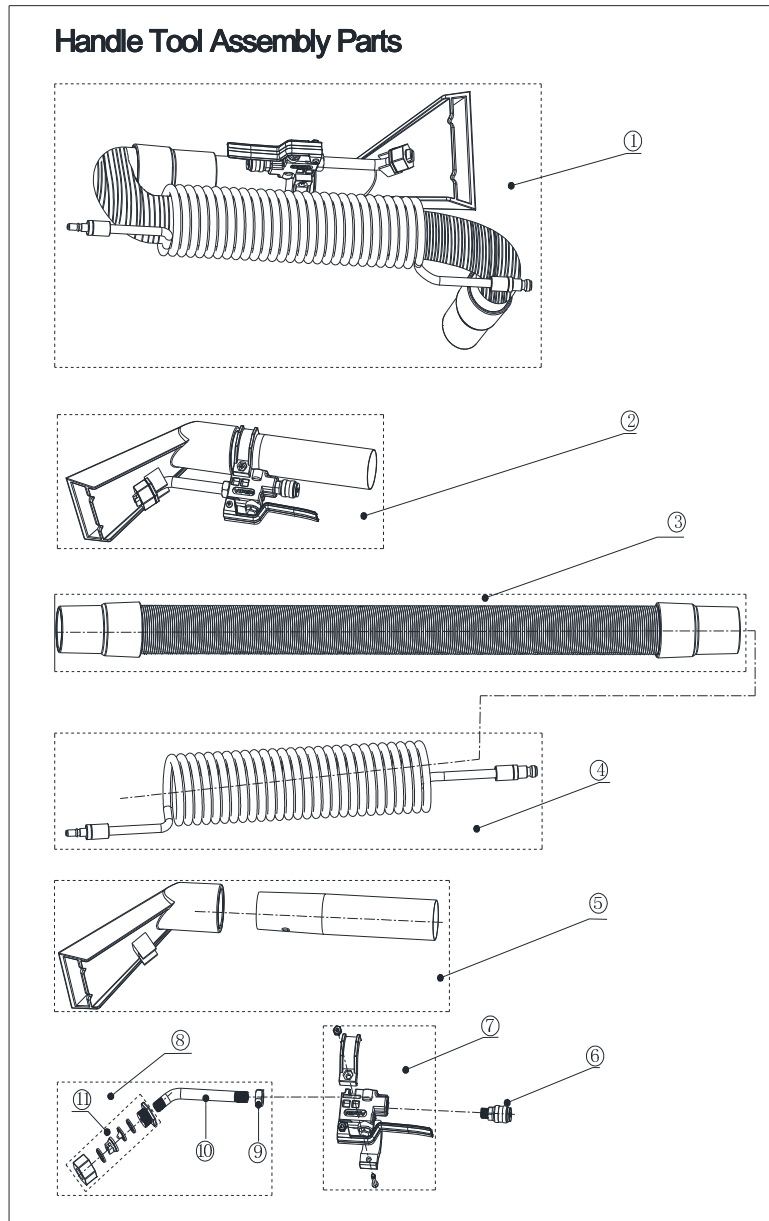
---

No.	Part No.	Qty.	Description	Part Note
1	VV81333	1	VACUUM SHOE HOLDER KIT	
2	VV81093	1	RIGHT ADJUSTING COVER KIT	
3	VV81094	2	ADJUSTING PRESSING PLATE KIT	
4	VV81095	1	RIGHT ADJUSTING ROTARY KNOB KIT	
5	VV81343	1	VACUUM SHOE BRACKET KIT	
6	VV81096	1	VACUUM SHOE RELEASING KNOB KIT	
7	VV81097	1	LEFT ADJUSTING COVER KIT	
8	VV81098	1	LEFT ADJUSTING ROTARY KNOB KIT	
9	VV81249	1	VACUUM SHOE KIT	
10	VV81334	1	SCALE LABEL KIT	

---

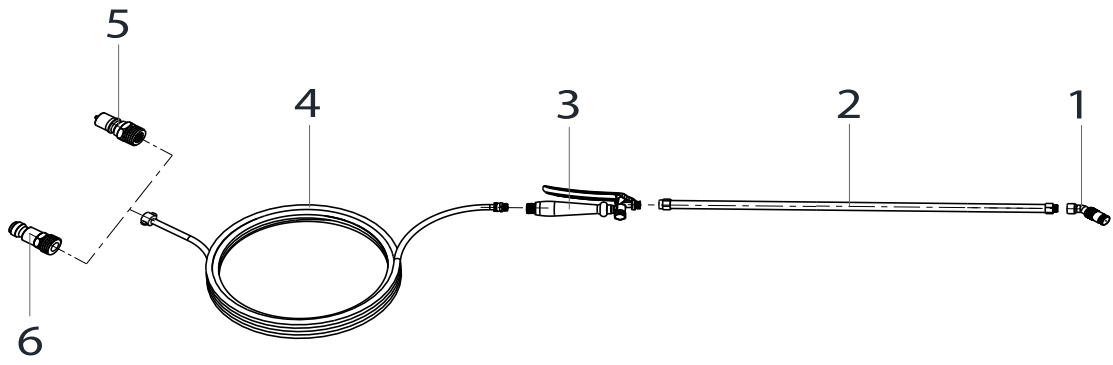


No.	Part No.	Qty.	Description	Part Note
1	VV81305	1	BELLOWS COVER PLATE KIT	
2	VV81059	1	BRUSH KIT	
3	VV81340	1	ROLLER BRUSH SHAFT ASSEMBLY KIT	
4	VV81306	1	ROLLER BRUSH MOUNTING CLIP KIT	
5	VV81348	1	STAND KIT	
6	VV81307	2	LOCKING WATER TANK SCREW KIT	
7	VV81310	2	STORAGE STAND SPRING KIT	
8	VV81308	1	ROLLER BRUSH COVER KIT	
9	VV81135	1	FOOT PEDAL	
10	VV81130	1	BOTTOM BASE	
11	VV81060	1	DRIVEN PULLEY KIT	
12	VV81311	1	BOTTOM MUTE SPONGE KIT	
13	VV81309	2	SHAFT PRESSING PLATE AND SCREW KIT	
14	VV81056	2	WHEEL ASSEMBLY KIT	



No.	Part No.	Qty.	Description	Part Note
1	VV81250	1	UPHOLSTERY TOOL KIT INCL HOSE 63-250CM	
2	VV81314	1	UPHOLSTERY HAND TOOL 4IN 10CM	
3	VV81161	1	HANDLE TOOL VACUUM HOSE	
4	VV81252	1	HANDLE TOOL SOLUTION HOSE KIT	
5	VV81347	1	NOZZLE AND TUBE KIT 4IN 10CM	
6	VA80924	1	SOLUTION CONNECTOR FEMALE SS	
7	VA81192	1	HAND TOOL VALVE KIT	
8	VV81349	1	HANDLE TOOL SPRAY KIT	
9	VA80895	1	BEND TUBE FIXING NUT M10X1.0	
10	VA81291	1	TUBE BENT SS HANDLE TOOL	
11	VV81341	1	HANDLE TOOL SPRAY JET KIT	





# VV78350 SINGLE SPRAYER KIT

CEX410

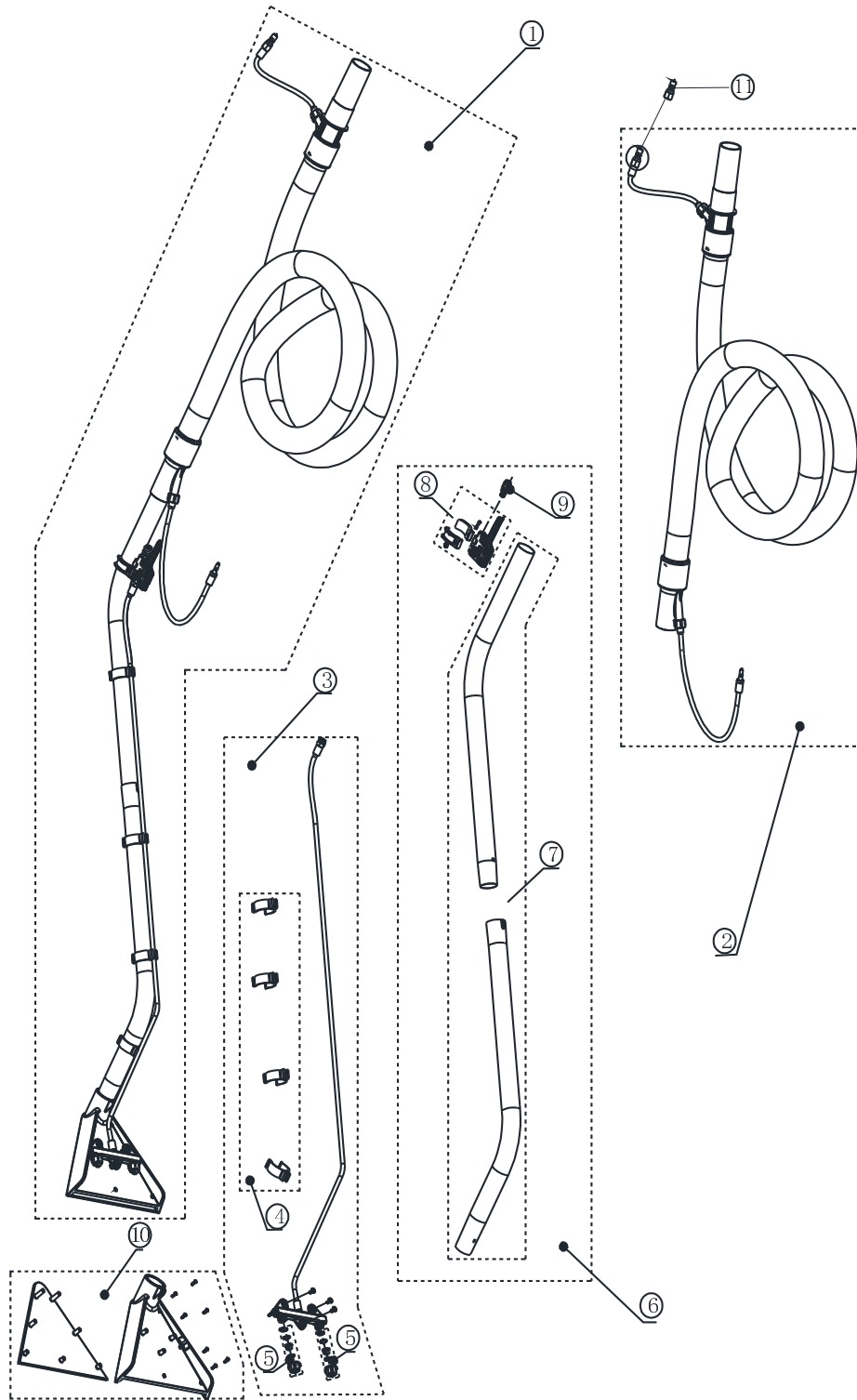
2020.06.17

2020.06.17

No.	Part No.	Qty.	Description	Part Note
	VV78350	1	SINGLE NOZZLE SPRAYER KIT	
1	VV78351	1	ADJUSTABLE ATOMIZING ELBOW NOZZLE	
2	VV78352	1	WAND ASSEMBLY L500X10XT0.8MM SUS316	
3	VV78353	1	TRIGGER	
4	VV78354	1	5M HIGH PRESSURE HOSE	
5	VV78325	1	QUICK MALE CONNECTOR FOR CEX410	[1]
6	VV78326	1	QUICK MALE CONNECTOR FOR WOLF130	[2]

**Part Notes:**

- [1] - CEX410
- [2] - Wolf130



No.	Part No.	Qty.	Description	Part Note
1	VV81316	1	FLOOR TOOL KIT INCL 2.5M HOSE	
2	VV81317	1	2.5M FLOOR TOOL HOSE KIT	
3	VA81099	1	SPRAY NOZZLE PA+HOSE Ø8MM ETC.KIT	
4	VV81320	1	SOLUTION CLIP KIT	
5	VV81318	2	SPRAY JET KIT OF FLOOR TOOL	
6	VV81319	1	STAINLESS TUBE AND CONTROL VALVE KIT	
7	VA81100	1	TUBE STEEL 38MM 2PCS EXTRACTOR	
8	VA81192	1	HAND TOOL VALVE KIT	
9	VA80924	1	SOLUTION CONNECTOR FEMALE SS	
10	VA81102	1	NOZZLE WAND ASSEMBLY KIT	
11	VV81260	1	QUICK COUPLER MALE	

# Wear and Tear Parts

No.	Part No.	Qty.	Description	Part Note
1	VV81063	2	MICRO SWITCH - ROLLER BRUSH AND PUMP KIT	
2	VA81940	3	WATERPROOF SWITCH	
3	VV81065	1	12A CIRCUIT BREAKER	
4	VV81064	1	6A CIRCUIT BREAKER	
5	VV81064	1	6A CIRCUIT BREAKER	
6	VV81342	1	4A CIRCUIT BREAKER	
7	VV81428-1	1	CORD FIXED 15M EU	
8	VV67116	1	CORD DETACHABLE 50 FEET US	
9	VV81430-1	1	CORD FIXED 15M CN	
10	VV81070	1	US PIG TAIL CORD KIT	
11	VV81022	1	RECOVERY TANK LID GASKET	
12	VV81324	1	EXHAUST HOSE KIT	
13	VV81158	1	VACUUM HOSE	
14	VV81159	1	DRAIN HOSE	
15	VV81080	1	SOLUTION TANK WATER LEVEL HOSE KIT	
16	VV81250	1	UPHOLSTERY TOOL KIT INCL HOSE 63-250CM	
17	VV81331	1	120V 300W BRUSH MOTOR KIT	
18	VV81332	1	220-240V BRUSH MOTOR KIT	
19	VV81327	1	120V VACUUM MOTOR KIT	
20	VV81328	1	220~240 VACUUM MOTOR KIT	
21	VV81249	1	VACUUM SHOE KIT	
22	VV81337	1	220V~240V PUMP KIT	
23	VV81336	1	120V PUMP KIT	
24	VV81099	2	SPRAY NOZZLE KIT	
25	VV81303	1	FEMALE QUICK CONNECTOR KIT	
26	VV81427	1	120V SOLUTION SOLENOID	
27	VV81426	1	230V SOLUTION SOLENOID	
28	VV81059	1	BRUSH KIT	
29	VV81056	1	WHEEL ASSEMBLY KIT	
30	VV81060	1	DRIVEN PULLEY KIT	
31	VV81090	1	MAIN SHEAVE KIT	
32	VV81161	1	HANDLE TOOL VACUUM HOSE	
33	VV81252	1	HANDLE TOOL SOLUTION HOSE KIT	
34	VA80924	1	SOLUTION CONNECTOR FEMALE SS	
35	VA81192	1	HAND TOOL VALVE KIT	
36	VV81341	1	HANDLE TOOL SPRAY JET KIT	
37	VV81316	1	FLOOR TOOL KIT INCL 2.5M HOSE	
38	VV81317	1	2.5M FLOOR TOOL HOSE KIT	
39	VV81318	2	SPRAY JET KIT OF FLOOR TOOL	

