

PARTS LIST

AS6690T & AS7690T



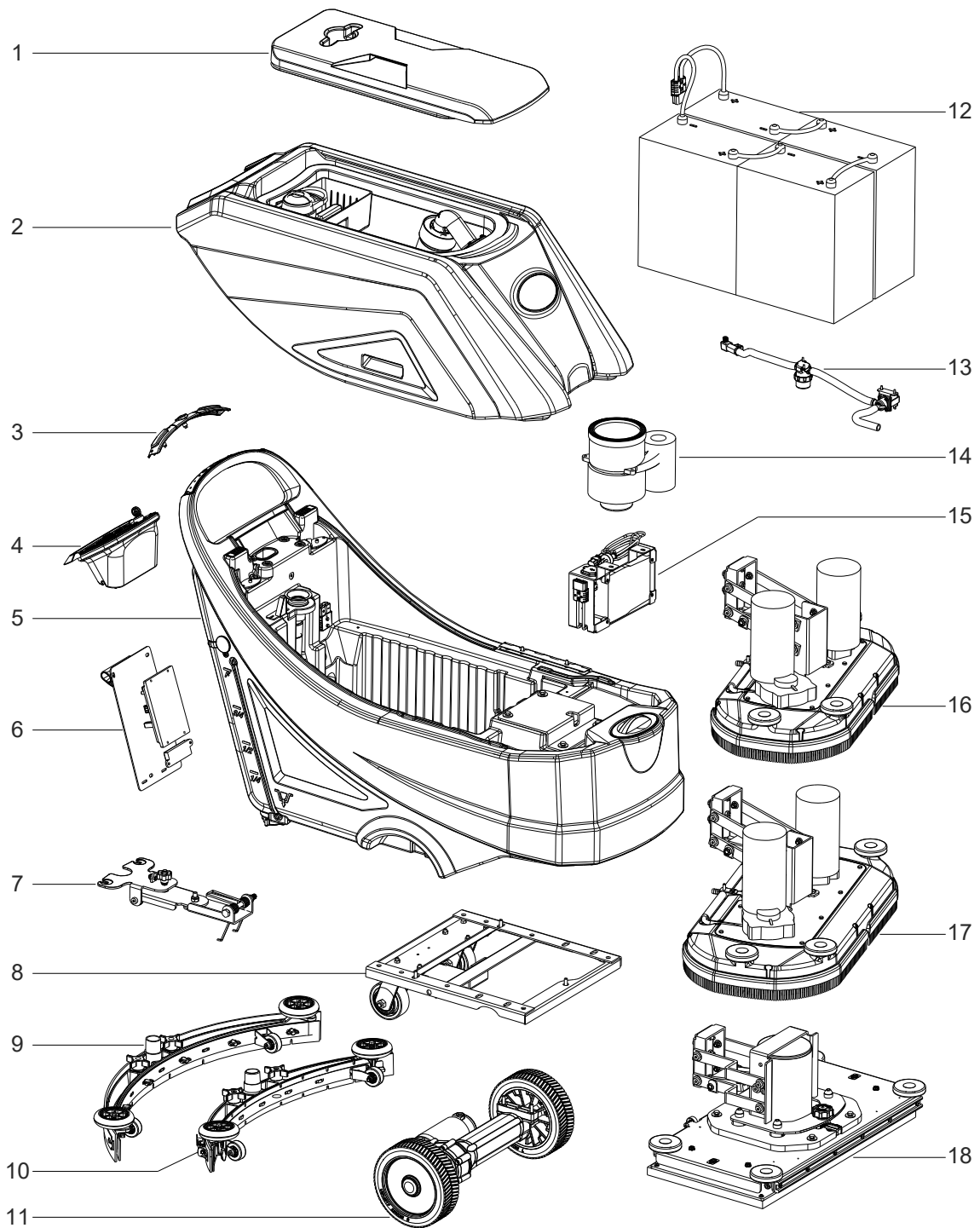
AS7190TO



2022.10.04

TABLE OF CONTENTS

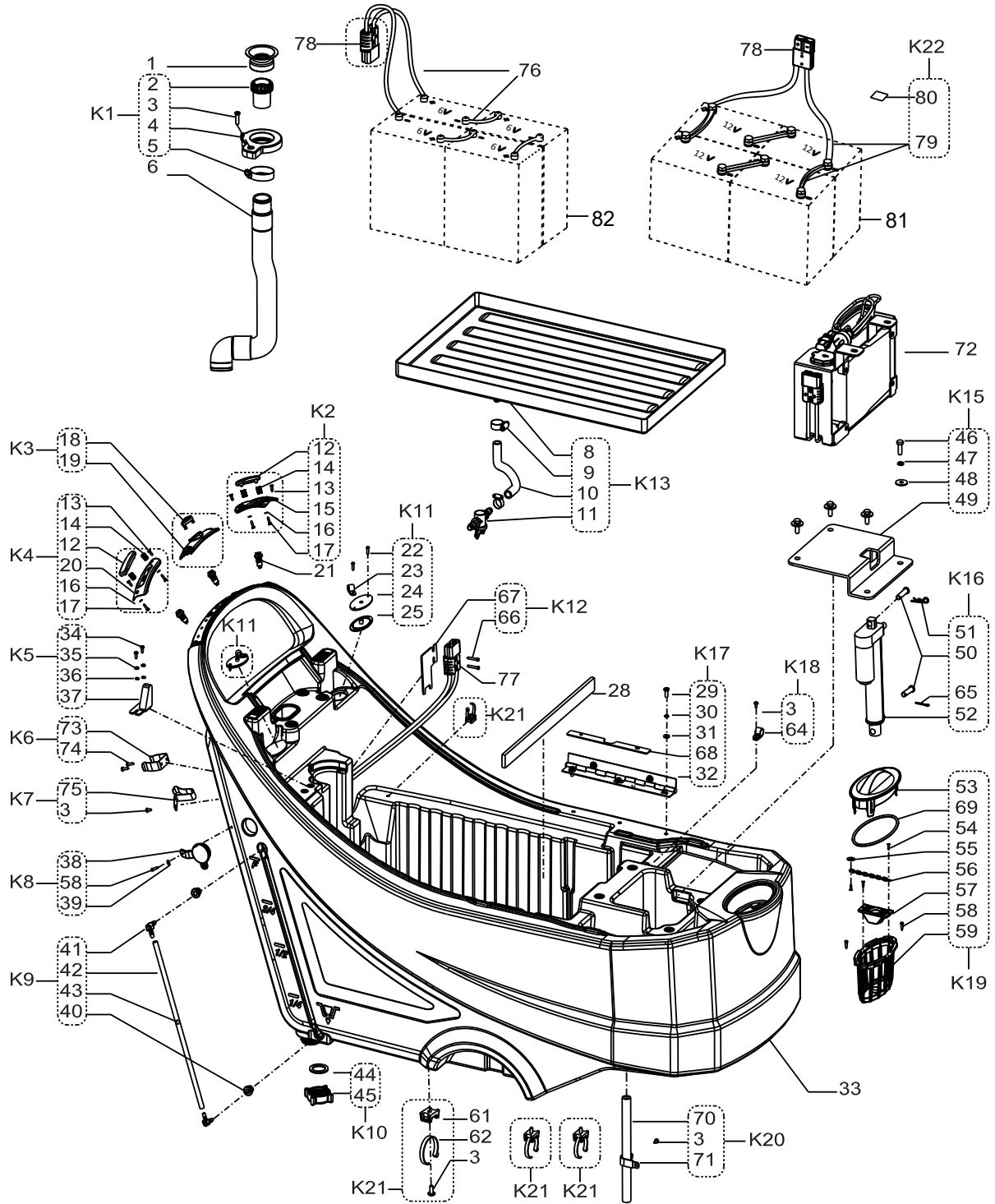
General view.....	1
Solution tank.....	3
Recovery tank.....	7
Control and Electrical system.....	10
Chassis.....	13
Solution system.....	15
Brush.....	17
Orbital brush.....	20
Squeegee.....	23
Charger on-board.....	26
Wiring diagram.....	28
WEAR AND TEAR PARTS.....	30



No.	Part No.	Qty.	Description	Part Note
	VS14027	1	CARTON BOX	
1		1	RECOVERY TANK LID ASSEMBLY	[1]
2		1	RECOVERY TANK ASSEMBLY	[1]
3		1	SAFETY SWITCH ASSEMBLY	[2]
4		1	CONTROL PANEL ASSEMBLY	[3]
5		1	SOLUTION TANK ASSEMBLY	[2]
6		1	CONTROL BOX ASSEMBLY	[3]
7		1	SQUEEGEE HOLDER ASSEMBLY	[4]
8		1	CHASSIS ASSEMBLY	[5]
9		1	SQUEEGEE ASSEMBLY 28 INCH	[4]
10		1	SQUEEGEE ASSEMBLY 26 INCH	[4]
11		1	WHEEL ASSEMBLY	[5]
12		4	BATTERIES	[2]
13		1	SOLUTION SYSTEM ASSEMBLY	[6]
14		1	VACUUM MOTOR ASSEMBLY	[1]
15		1	CHARGER ON-BOARD KIT	[7]
16		1	BRUSH ASSEMBLY 26 INCH	[8]
17		1	BRUSH ASSEMBLY 30 INCH	[8]
18		1	ORBITAL HEAD ASSEMBLY 28 INCH	[9]

Part Notes:

- [1] - Recovery tank
- [2] - Solution tank
- [3] - Control and Electrical system
- [4] - Squeegee
- [5] - Chassis
- [6] - Solution system
- [7] - Charger on-board
- [8] - Brush
- [9] - Orbital brush



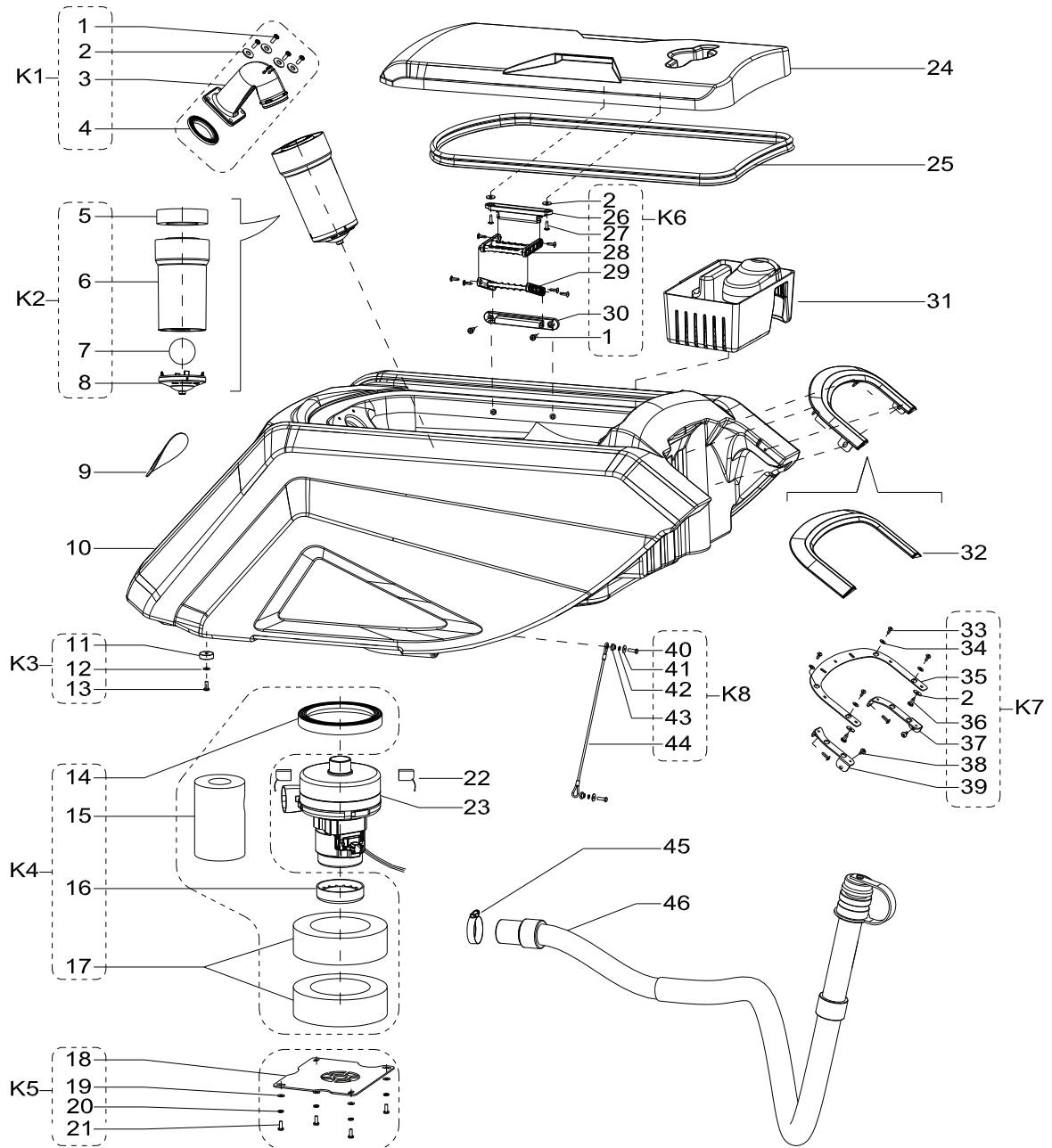
No.	Part No.	Qty.	Description	Part Note
1	VS10603	1	GASKET-DRAIN HOSE	
2		1	CONNECTOR SUCTION HOSE	[1]
3		11	SCREW TM4X10	[2]
4		1	BRACKET SUCTION HOSE	[1]
5		1	CLAMP	[1]
6	VS10601	1	SUCTION HOSE	
8	VS14317	1	TRAY BATTERY	[3]
9		2	CLAMP	[3]
10		1	HOSE F TRAY BATTERY	[3]
11	VS14614	1	VALVE BATTERY DRAIN	[3]
12	VS14306	2	BUTTON PLAST SWITCH	[4]
13		4	SCREW KA3.5X12	[4]
14		4	SPRING	[4]
15		1	COVER PLAST SAFETY SWITCH LT	[5]
16		4	WASHER Ø3.6X Ø8X0.8	[4]
17		4	SCREW PA3X8	[4]
18		1	BUTTON PLAST REAR SWITCH	[6]
19		1	COVER PLAST REAR SWITCH	[6]
20		1	COVER PLAST SAFETY SWITCH RT	[7]
21	VS10202	3	SWITCH	
22		4	SCREW M4X16	[8]
23		3	CLAMP Ø 6.4	[8]
24		2	GUARD SPLASH WIRE	[8]
25		2	GASKET WIRE	[8]
28	VS14426	1	SPACER BATTERY	
29		5	SCREW M6X16	[9]
30		5	SPRING WASHER Ø6	[9]
31		5	WASHER Ø6.2X Ø13X2	[9]
32	VS10441	1	WASHER Ø6.2X Ø13X2	[9]
33	VS14302	1	TANK SOLUTION 85L PLAST. DARK GREY	
34		4	SCREW M4X12	[10]
35		2	SPRING WASHER Ø4	[10]
36		2	WASHER Ø9X Ø4.2X0.8	[10]
37		1	FIXED BLOCK	[10]
38		1	RUBBER SOLUTION CAP	[11]
39		3	WASHER Ø4X Ø12X1	[11]
40		2	JOINTS GASKET	[12]
41	VS10331	2	JOINTS GASKET	[12]
42		1	HOSE FRESH WATER LEVEL	[12]
43		1	FLOATING BALL OF WATER LEVEL	[12]
44		1	OUTLET O-RING	[13]
45		1	OUTLET COVER	[13]
46		4	SCREW M8X25	[14]
47		4	SPRING WASHER Ø8	[14]
48		4	WASHER 8X20X2	[14]
49	VS14403	1	ACTUATOR HOLDER	[14]
50		2	PIN	[15]
51		1	SPLIT PIN B	[15]
52A/52B	VS12704	1	SPLIT PIN B	[16]
52C	VS14228	1	ACTUATOR LINEAR 24VDC 80KG STRK 145MM	[17]
53	VS10312	1	FILTER COVER	[18]
54		3	SCREW TA3.5X12	[18]
55		1	WASHER Ø9X Ø4.2X0.8	[18]
56		1	ZIPPER	[18]
57		1	INLET PIPE FRAME	[18]
58		3	SCREW ST4X15	[19]
59	VS10313	1	FILTER SUPPORT	[18]
61		7	FLAT TIE HOLDER	[20]

No.	Part No.	Qty.	Description	Part Note
62		10	CLAMP	[20]
64		1	CLAMP Ø12.7	[21]
65		1	SPLIT PIN	[15]
66		2	SCREW M4X25	
67		1	GUARD SPLASH	
68		1	PLATE HINGE FIX	
69	VS14630	1	GASKET FILTER COVER	[18]
70		1	HOSE PVC	[22]
71		1	CLAMP	[22]
72	VS14716	1	CHARGER ON-BOARD KIT 25A EU-UK	
72	VS14717	1	CHARGER ON-BOARD KIT 25A US	
73		1	CLAMP DRAIN HOSE	[23]
74		2	SCREW ST4X16	[23]
75		1	CLAMP HOSE DRAIN	[24]
76	VS14207	1	BATTERY CONNECTIONS	
78	VR27007	1	SB120 BATTERY CONNECTOR	
77	VS14211	1	HARNES 24V INPUT	
79		1	BATTERY CONNECTIONS	[25]
80		1	WALMART BATTERIES CONNECTION WIRING LABEL	[25]
81		1	4x12V BATTERIES	
82		1	4x6V BATTERIES	
K1	VS10101	1	SUCTION CONNECTER FRAME KIT	
K2	VS14730	1	SAFETY SWITCH LEFT KIT	
K3	VS14731	1	FRONT BACK SWITCH KIT	
K4	VS14732	1	SAFETY SWITCH RIGHT KIT	
K5	VS14733	1	FIXED BLOCK KIT	
K6	VF90275	1	CLAMP DRAIN HOSE KIT	
K7	VS14756	1	WATER HOSE HOLDER KIT	
K8	VS14734	1	LID-SOLUTION TANK KIT	
K9	VS14735	1	WATER LEVEL PIPE KIT	
K10	VF90536	1	COVER KIT WATER OUTLET	
K11	VF90265	2	SEAL PLATE KIT	
K12	VS14738	1	GUARD SPLASH KIT	
K13	VS14737	1	TRAY BATTERY KIT	
K15	VS14740	1	ACTUATOR HOLDER KIT	
K16A/K16B	VS13762	1	ACTUATOR KIT	[16]
K16C	VS14741	1	ACTUATOR LINEAR 24V 80KG STRK 145MM KIT	[17]
K17	VS14739	1	HINGE KIT	
K18	VS14773	1	CLAMP VAC WIRE KIT	
K19	VS10102	1	FILTER COVER KIT	
K20	VS14736	1	DRAIN-PIPE KIT	
K21	VS13702	7	WIRE CLASPS KIT	
K22	VS14786	1	BATTERY CONNECTIONS ENE KIT	

Part Notes:

- [1] - K1
- [2] - K1/K7/K18 /K20/K21
- [3] - K13
- [4] - K2/K4
- [5] - K2
- [6] - K3
- [7] - K4
- [8] - K11
- [9] - K17
- [10] - K5
- [11] - K8
- [12] - K9
- [13] - K10

- [14] - K15
- [15] - K16
- [16] - AONLY FOR 26 INCH DISC MACHINE (AS6690T)
BONLY FOR 30 INCH DISC MACHINE (AS7690T)
- [17] - CONLY FOR 28 INCH ORBITAL MACHINE (AS7190TO)
- [18] - K19
- [19] - K8/K19
- [20] - K21
- [21] - K18
- [22] - K12
- [23] - K6
- [24] - K7
- [25] - K22

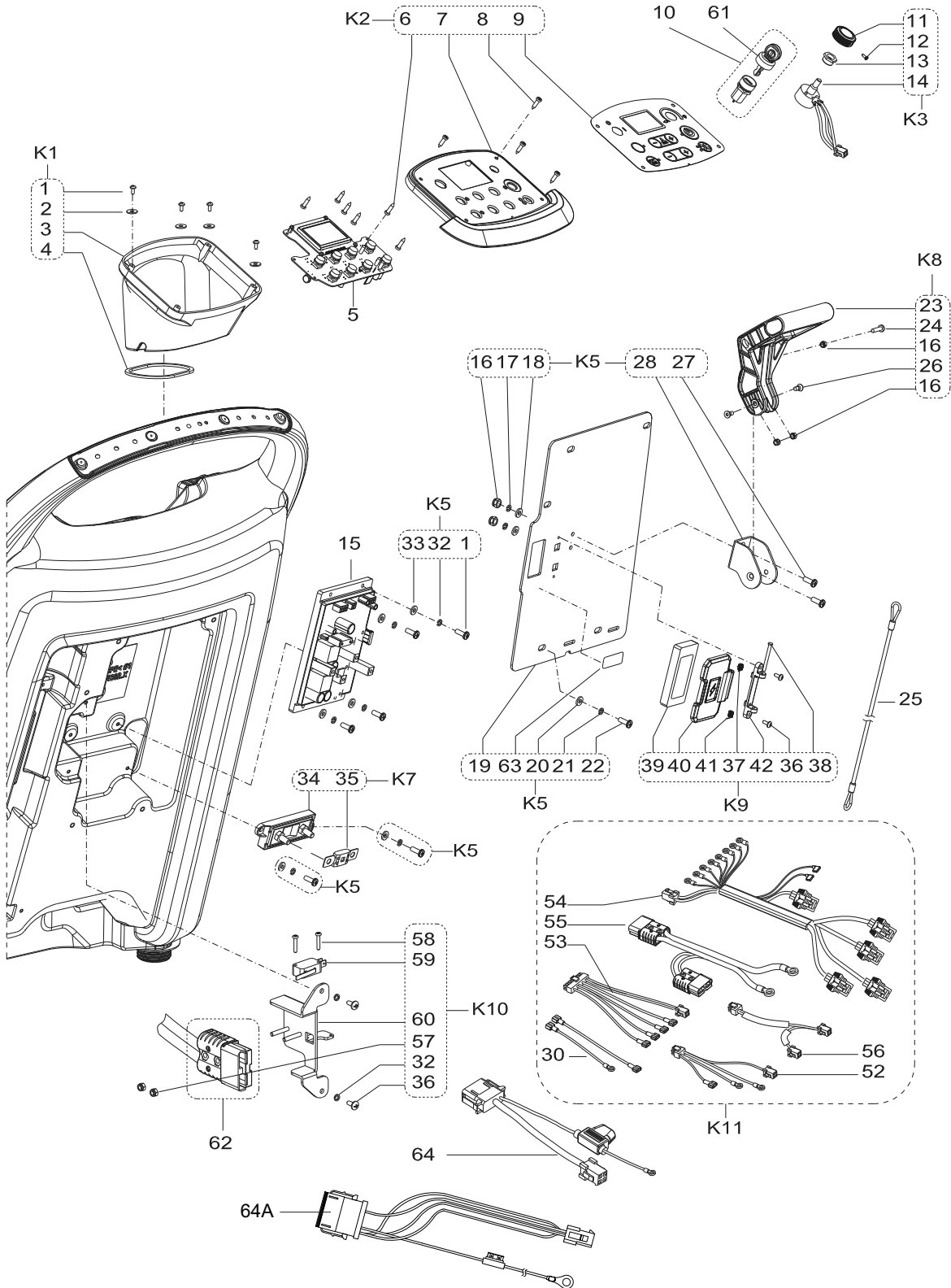


No.	Part No.	Qty.	Description	Part Note
1		6	SCREW PM4X12	[1]
2		10	WASHER Ø4XØ12X1	[2]
3		1	ELBOW ADAPTOR, FLOAT	[2]
4		1	FLOAT GASKET	[2]
5	VS14626	1	CAGE FLOAT COMPLETE	[3]
6		1	FLOAT BRACKET	[3]
7	VF85124	1	FLOATING BALL	[3]
8		1	FLOAT BRACKET COVER	[3]
9	VF90011	1	LOGO LABEL	
10	VS14301	1	RECOVERY TANK 90L PLAST. DARK GREY	
11		1	RUBBER GASKET	[4]
12		1	WASHER Ø6XØ18X1.5	[4]
13		1	SCREW TM5X12	[4]
14		1	SUCTION UP GASKET	[5]
15		1	ACOUSTIC INSULATION PIPE	[5]
16		1	TOP GASKET OF SUCTION MOTOR	[5]
17		2	ACOUSTIC INSULATION PIPE	[5]
18	VS10419	1	VACUUM MOTOR COVER	[6]
19		4	WASHER Ø6XØ18X1.5	[6]
20		4	SPRING WASHER Ø5	[6]
21		4	SCREW PM5X15	[6]
22	VF90522	2	CARBON BRUSH FOR VACUUM MOTOR	
23	VS14231	1	MOTOR VACUUM 24V 500W 3STAGES EU	
24	VS14303	1	RECOVERY TANK LID	
25	VS14601	1	GASKET SIR	
26		1	FIXED FRAME-B	[7]
27		8	SCREW ST4X16	[6]
28		1	CONNECTION FRAME-B	[6]
29		1	CONNECTION FRAME-A	[6]
30		1	FIXED FRAME-A	[6]
31	VS14744	1	TRAY DEBRIS KIT	
32	VS14308	1	DECORATIVE PANEL	
33		1	SCREW TM4X10	[8]
34		1	WASHER Ø4XØ12.5X1.5	[6]
35		1	DECORATIVE PANEL BRACKET	[6]
36		4	SCREW PA3X8	[6]
37		1	SWITCH COVER BRACKET RT	[6]
38		4	SCREW TA3.5X12	[6]
39		1	SWITCH COVER BRACKET LT	[6]
40		2	SCREW TM6X20	[9]
41		2	WASHER Ø6XØ18X1.5	[9]
42		2	SPRING WASHER Ø6	[9]
43		2	BUSHING Ø6.2XØ16X7.7	[9]
44		1	CABLE Ø4.8 500mm	[9]
45	VA20304	1	CLAMP	
46	VS14602	1	DRAIN HOSE	
K1	VS10110	1	ELBOW ADAPTOR KIT	
K2	VF90534	1	FLOAT KIT	
K3	VS10111	1	RUBBER GASKET KIT	
K4	VS10112	1	GASKET VACUUM MOTOR KIT	
K5	VS10113	1	VACUUM MOTOR COVER KIT	
K6	VS10114	1	RETAINER-RECOVERY TANK LID	
K7	VS14745	1	DECORATIVE PANEL BRACKET KIT	
K8	VS14746	1	CABLE TANK Ø4.8 500MM KIT	

Part Notes:

- [1] - K1/K6/K7
[2] - K1

- [3] - K2
- [4] - K3
- [5] - K4
- [6] - K5
- [7] - K6
- [8] - K7
- [9] - K8

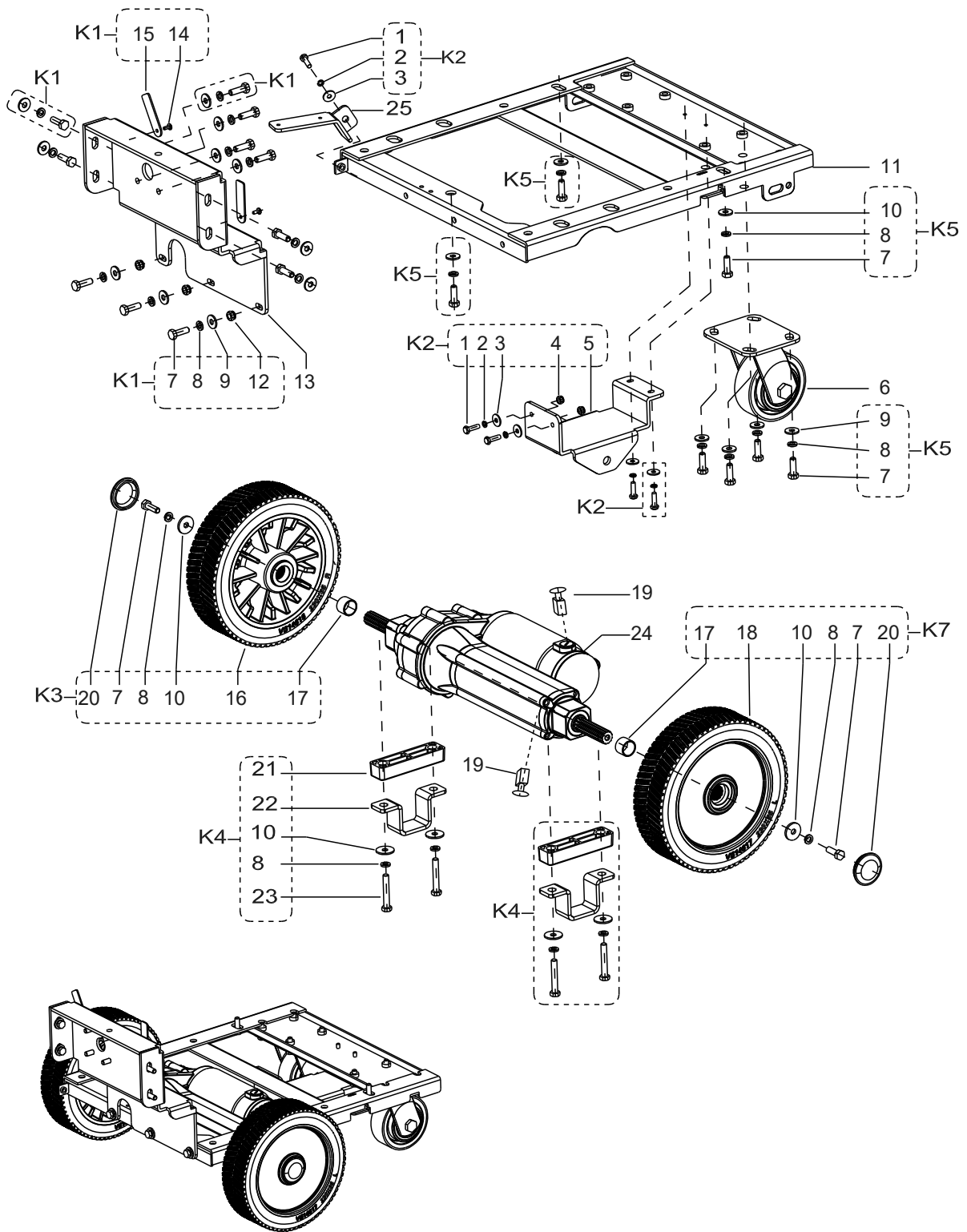


No.	Part No.	Qty.	Description	Part Note
1		10	SCREW M4X16	[1]
2		4	WASHER Ø5X Ø12X1	[2]
3		1	PCB BOX	[2]
4		1	GASKET PCB BOX	[2]
5A/5B	VS14204	1	CONTROL PANEL BOARD DISC	[3]
5C	VS14225	1	CONTROL PANEL BOARD ORBITAL	[4]
6		7	SCREW ST3.5*9.5	[5]
7		1	CONTROL PANEL	[5]
8		4	SCREW ST4X15	[5]
9A/9B		1	CONTROL PANEL DECAL DISC	[6]
9C		1	CONTROL PANEL DECAL ORBITAL	[7]
10	9100001354	1	SWITCH IGNITION STARTER WITH CAP SIP	
11	VS10315	1	AJUST SPEED KNOB	[8]
12		1	SCREW ST3X10	[8]
13		1	KNOB NUT	[8]
14	VS14222	1	SPEED POTENTIOMETER	[8]
15	VS14205	1	CONTROLLER MAIN MACHINE	[9]
16		5	NUT LOCK M5	[10]
17		2	SPRING WASHER M5	[11]
18		2	WASHER Ø5X Ø12X1	[11]
19	VS14715	1	CONTROL BOX COVER	[11]
20		5	WASHER Ø6.2X Ø13X2	[11]
21		5	SPRING WASHER Ø6	[11]
22		5	SCREW M6X16	[11]
23		1	HANDLE LIFT	[12]
24		1	SCREW M5X20	[12]
25	VS14501	1	CABLE Ø4.8 500MM	
26		2	SCREW M5	[12]
27		2	SCREW M5X15	[11]
28	VS14402	1	HAND BRACKET	[11]
30		1	HARNESS CHARGING SWITCH	[13]
32		8	SPRING WASHER M4	[14]
33		6	WASHER Ø4X Ø12X1	[11]
34		1	BRACKET FUSE	[15]
35	VS14213	1	FUSE 100A	[15]
36		4	SCREW M4X10	[16]
37		1	SPRING	[15]
38		1	PIN	[15]
39		1	GASKET CHARGER PLUG	[15]
40		1	CHARGER SOCKET COVER	[15]
41		1	SPRING	[15]
42		1	BRACKET CHARGER PLUG COVER	[15]
52		1	HARNESS BRUSH ACTUATOR	[13]
53	VS14219	1	HARNESS SPEED CONTRAL	[13]
54A/54B	VS14212	1	HARNESS MOTOR CABLE DISC	[17]
54C	VS14232	1	HARNESS MOTOR CABLE ORB	[18]
55	VS14211	1	HARNESS 24V INPUT	[13]
56		1	HARNESS CAN BUS	[13]
57		2	NUT LOCK M4	[19]
58		2	BRACKET M3X49	[19]
59	VR12005	1	MICRO SWITCH	[19]
60		1	BRACKET CHARGER PLUG	[19]
61	146 2887 000	1	KEY 2 PCS	
62	VR27007	1	SB120 BATTERY CONNECTOR	
63		1	LABEL	[11]
64	VS14241	1	HARNESS TRACKCLEAN US CAN	[20]
64A	55941044	1	HARNESS MULTICON 5559-4P USWM	[21]
K1	VS14747	1	PCB BOX KIT	

No.	Part No.	Qty.	Description	Part Note
K2A/K2B	VS14748	1	CONTROL PANEL DISC KIT	[3]
K2C	VS14749	1	CONTROL PANEL ORBITAL KIT	[4]
K3	VS14774	1	ADJUST SPEED KNOB KIT	
K5	VS14753	1	CONTROL BOX COVER KIT	
K7	VS14752	1	FUSE KIT	
K8	VS14754	1	HANDLE LIFT KIT	
K9	VS14757	1	CHARGER SOKET KIT	
K10	VS14758	1	POWER CORD BRACKET	
K11A/K11B	VS14750	1	HARNESS MACHINE F DISC KIT	[3]
K11C	VS14775	1	HARNESS MACHINE F ORB KIT	[4]

Part Notes:

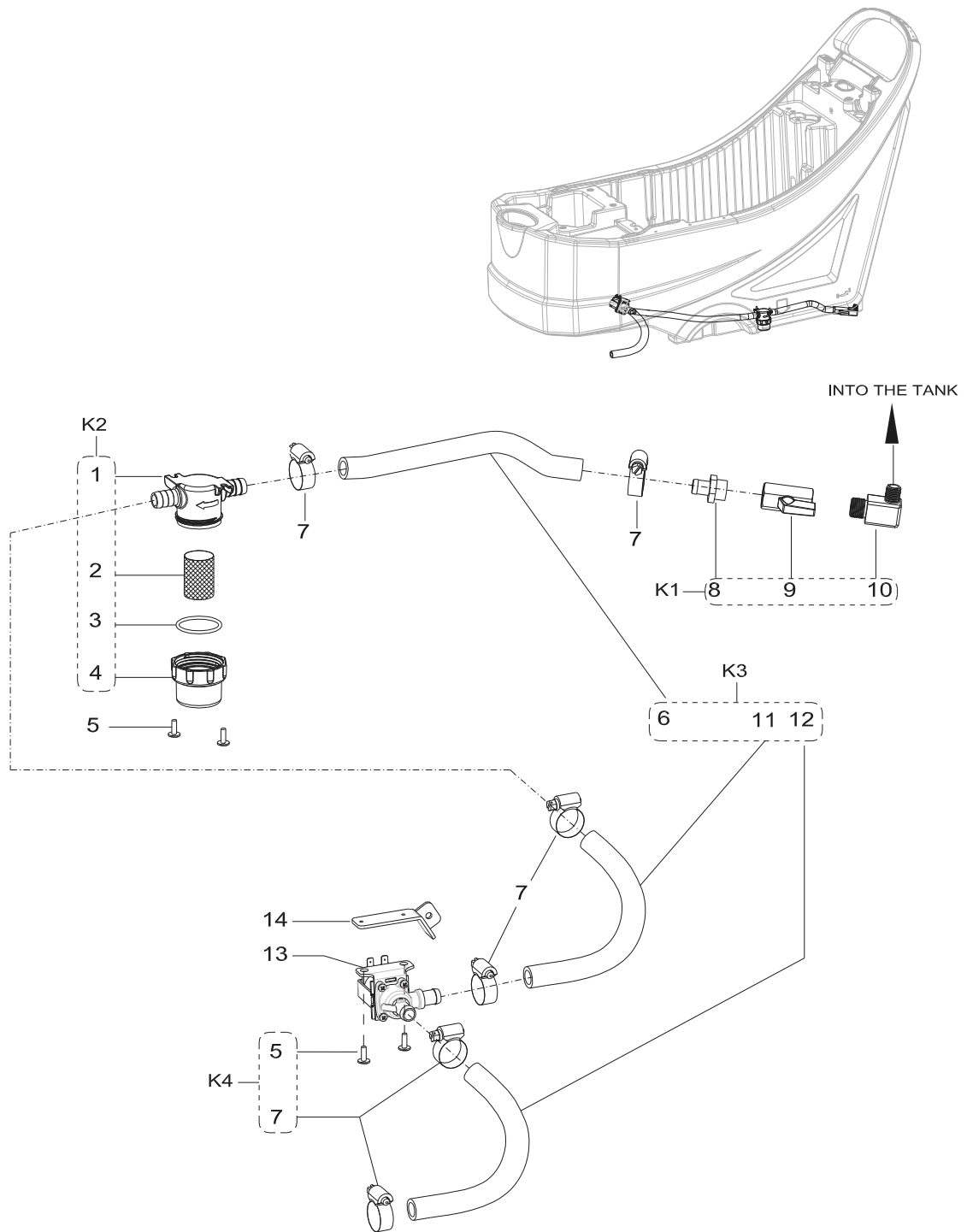
- [1] - K1/K5
- [2] - K1
- [3] - AONLY FOR 26 INCH DISC MACHINE (AS6690T)
BONLY FOR 30 INCH DISC MACHINE (AS7690T)
- [4] - CONLY FOR 28 INCH ORBITAL MACHINE (AS7190TO)
- [5] - K2
- [6] - AONLY FOR 26 INCH DISC MACHINE (AS6690T)
BONLY FOR 30 INCH DISC MACHINE (AS7690T)
K2
- [7] - CONLY FOR 28 INCH ORBITAL MACHINE (AS7190TO)
K2
- [8] - K3
- [9] - TSB-FC-2021-019 AS6690 PCBA
DE TSB-FC-2021-019 AS6690 Steuerung
- [10] - K5/K8
- [11] - K5
- [12] - K8
- [13] - K11
- [14] - K5/K10
- [15] - K9
- [16] - K9/K10
- [17] - AONLY FOR 26 INCH DISC MACHINE (AS6690T)
BONLY FOR 30 INCH DISC MACHINE (AS7690T)
K11
- [18] - CONLY FOR 28 INCH ORBITAL MACHINE (AS7190TO)
K11
- [19] - K10
- [20] - Use before Serial#:USWM001159N for WM Version
- [21] - Start at serial#: 1 USWM001159N for WM Version



No.	Part No.	Qty.	Description	Part Note
1		4	SCREW M6X20	[1]
2		4	SPRING WASHER Ø6	[1]
3		4	WASHER Ø6.3XØ12.6X1.2	[1]
4		4	NUT LOCK M6	[1]
5	VS14411	1	BRACKET SPRING F SQUEEGEE	[1]
6	VF83111-1	2	4 INCH CASTER	[2]
7		24	SCREW M8X25	[3]
8		28	SPRING WASHER Ø8	[4]
9		19	WASHER Ø8XØ20X2	[5]
10		9	WASHER Ø8XØ26X2	[6]
11	VS14410	1	CHASSIS	[7]
12		3	NUT LOCK M8	[8]
13	VS14413	1	SUPPORT BRUSH HEAD	[8]
14		2	SCREW TM4X10	[8]
15		2	RETAINER PLATE	[8]
16	VS14618	1	WHEEL Ø230X65 RT	[9]
17	VS14505	2	SPACER D.20X23 H.17	[10]
18	VS14617	1	WHEEL Ø230X65 LT	[11]
19A/19B	VS11703	2	CARBON BRUSH KIT	[12]
19C	VS14236	2	CARBON BRUSH KIT	[13]
20		2	WHEEL COVER	
21		2	TRANSAXLE MOUNT BLOCK	[14]
22		2	TRACTION MOUNT	[14]
23		4	SCREW M8X45	[14]
24A/B	VS14226	1	MOTOR TRACTION 250W 18.5A 115RPM	[12]
24C	VS14230	1	MOTOR TRACTION 350W 22A 115RPM EU	[13]
24C	VS14227	1	MOTOR TRACTION 350W 22A 115RPM US	[13]
25	VS14449	1	SUPPORT VALVE	
K1	VS14759	1	SUPPORT KIT	
K2	VS14760	1	SPRING BRACKET KIT	
K3	VS14763	1	WHEEL TRACTION 9 INCH RT KIT	
K4	VS10147	2	TRACTION MOUNT KIT	
K5	VS14761	1	SCREW-CHASSIS KIT	
K7	VS14764	1	WHEEL TRACTION 9 INCH LT KIT	

Part Notes:

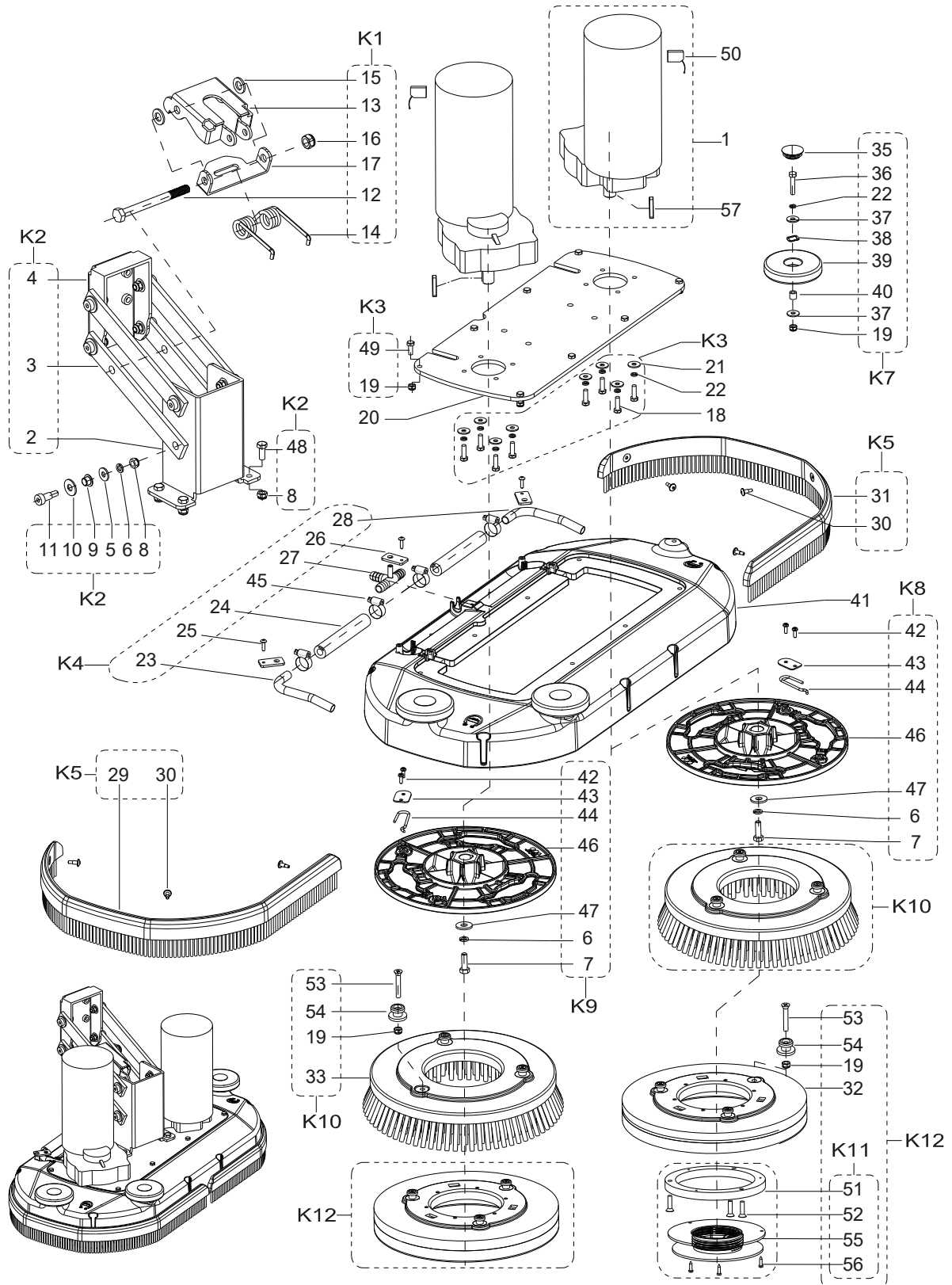
- [1] - K2
- [2] - K6
- [3] - K1/K3/K5 K6/K7
- [4] - K1/K3/K4 K5/K6/K7
- [5] - K1/K6
- [6] - K3/K4/K5/K7
- [7] - K5
- [8] - K1
- [9] - K3
- [10] - K3/K7
- [11] - K7
- [12] - AONLY FOR 26 INCH DISC MACHINE (AS6690T)
BONLY FOR 30 INCH DISC MACHINE (AS7690T)
- [13] - CONLY FOR 28 INCH ORBITAL MACHINE (AS7190TO)
- [14] - K4



No.	Part No.	Qty.	Description	Part Note
1	VF90604	1	HOUSING FILTER	[1]
2	VF90608	1	FILTER NET	[1]
3	VF90607	1	O-RING	[1]
4	VF90603	1	FILTER COVER	[1]
5		4	SCREW M4X10	
6		1	PVC TUBE WITH STEEL WIRE Ø 20MM L210mm	
7		4	CLAMP	
8		1	CONNECTOR	[2]
9		1	BALL VALVE	[2]
10		1	ELBOW 90 BRASS	[2]
11		1	PVC TUBE WITH STEEL WIRE Ø 20MM L285mm	[3]
12		1	PVC TUBE WITH STEEL WIRE Ø 20MM L385mm	[3]
13	VR11600	1	VALVE	[4]
14	VS14449	1	SUPPORT VALVE	
K1	VF91064	1	BALL VALVE KIT	
K2	VF90621	1	FILTER	
K3	VS14765	1	PVC TUBE WITH STEEL WIRE KIT	
K4	VS10148	1	SCREW AND CLAMP KIT	

Part Notes:

- [1] - K2
- [2] - K1
- [3] - K3
- [4] - TSB-DG-2020-001 WOLF3 solenoid valve

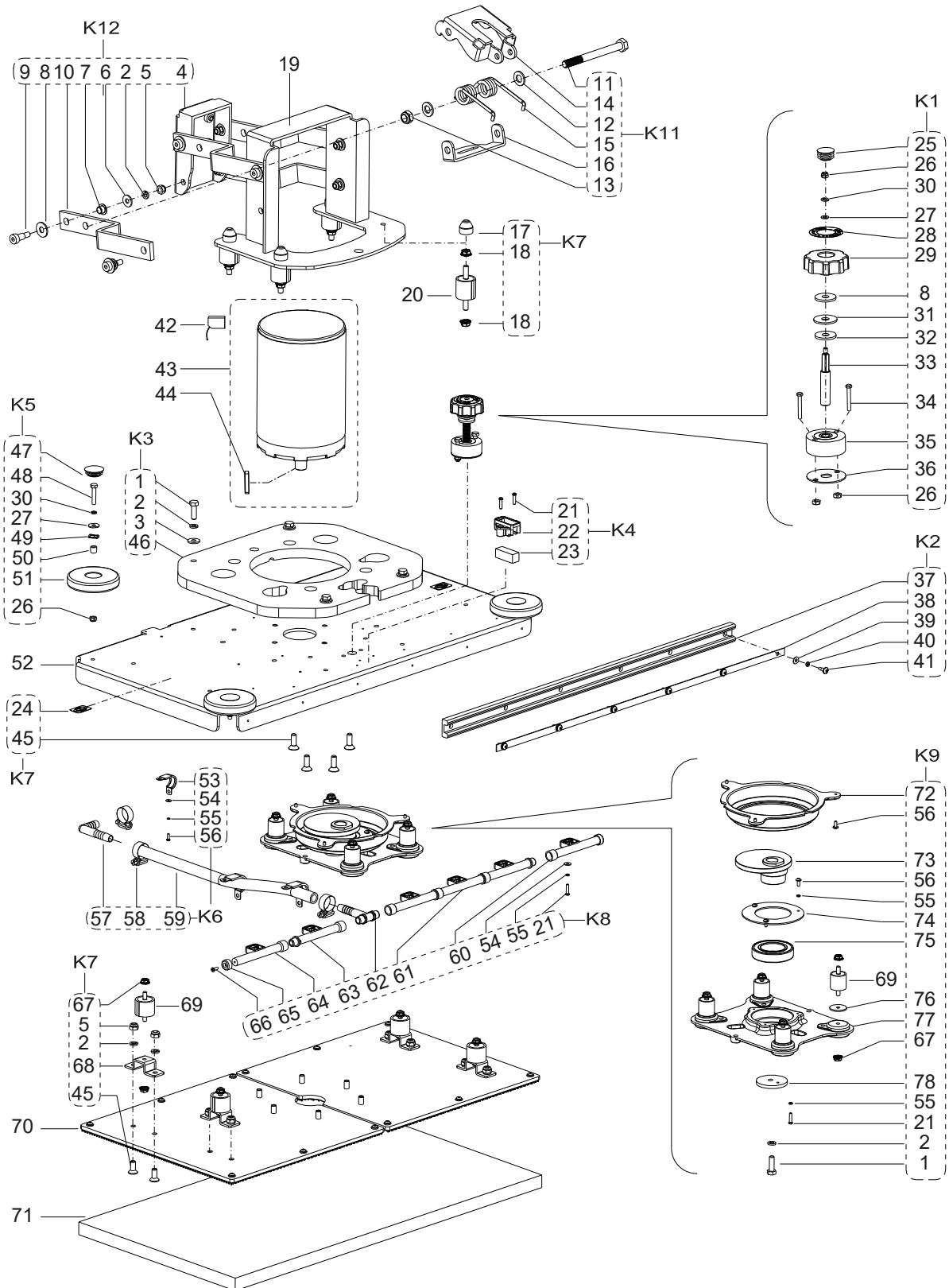


No.	Part No.	Qty.	Description	Part Note
1	VR37042	2	KIT MOTOR LEFT BRUSH	
2	VS14418	1	BRACKET DISC F DECK LIFT	[1]
3		1	LEVER DISC F DECK LIFT	[1]
4	VS14414	1	SUPPORT LEVER F DECK LIFT	[1]
5		8	WASHER Ø8XØ20X2	[1]
6		10	SPRING WASHER Ø8	[2]
7		2	SCREW M8X25	[3]
8		12	NUT LOCK M8	[1]
9		8	FLANGE BEARING	[1]
10		8	WASHER Ø10.3XØ25X2	[1]
11		8	SCREW Ø10X16XM8	[1]
12		1	SCREW M12X115	[4]
13		1	LEVER ACTUATOR	[4]
14	VS14503	1	TORSIONAL SPRING	[4]
15		2	NYLON WASHER	[4]
16		1	NUT LOCK M12	[4]
17		1	BRACKET LEVER ACTUATOR	[4]
18		8	SCREW M6X20	[5]
19		11	NUT LOCK M6	[6]
20A	VS14419	1	PLATE DECK F DISC 26	[7]
20B	VS14428	1	PLATE DECK F DISC 30	[8]
21		8	WASHER Ø6.2XØ12.6X1.2	[5]
22		11	SPRING WASHER Ø6	[9]
23A		1	ELBOW METAL DECK RT 26	[10]
23B		1	ELBOW METAL DECK RT 30	[11]
24A		2	STEEL TUBE Ø20MM L130mm	[10]
24B		2	STEEL TUBE Ø20MM L155mm	[11]
25		3	SCREW M4X16	[12]
26	VS14420	3	CLAMP HOSE	[13]
27	VR17114	1	FOUR-WAY PIPE JOINT	[13]
28A		1	ELBOW METAL DECK LT 26	[10]
28B		1	ELBOW METAL DECK LT 30	[11]
29A		1	SKIRT DECK RT 26	[14]
29B		1	SKIRT DECK RT 30	[15]
30		6	SCREW Ø5X8XM4	[16]
31A		1	SKIRT DECK LT 26	[14]
31B		1	SKIRT DECK LT 30	[15]
32A		2	PAD HOLDER 13 INCH	[17]
32B		2	PAD HOLDER 15 INCH	[18]
33A		2	BRUSH FLOCKING 13 INCH	[19]
33B		2	BRUSH FLOCKING 15 INCH	[20]
35		3	CAP. BLACK	[21]
36		3	SCREW M6X30	[21]
37		6	WASHER Ø6XØ18X1.5	[21]
38		3	WAVE WASHER	[21]
39	VS10340	3	BUMPER ROLLER	[21]
40		3	SPACER Ø25XØ10X9	[21]
41A	VS14314	1	DECK PLAST F DISC 26	[7]
41B	VS14323	1	DECK PLAST F DISC 30	[8]
42		4	SCREW ST5X10	[3]
43		2	CLAMP, BRUSH PLATE	[3]
44		2	SPRING	[3]
45		4	CLAMP	[13]
46	VS14319	1	DRIVER PAD BRUSH	[3]
47		2	WASHER Ø8XØ26X2	[3]
48		4	SCREW M8X20	
49		8	SCREW M6X16	
50	VF89116	8	CARBON BRUSH KIT	

No.	Part No.	Qty.	Description	Part Note
51		2	SPACER	[22]
52		6	SCREW ST6.5X25	[22]
53		6	SCREW M6X40	[23]
54	VF83133	6	STUD	[23]
55	VF99003A	2	BIG MOUTH PAD HOLDER LOCK	[22]
56		6	SCREW ST4X15	[22]
57	VR14003	2	KEY	
K1	VS14769	1	SPRING HOLDER KIT	
K2	VS14768	1	BRUSH LIFTING SUPPORT KIT	
K3	VS14776	1	SCREW KIT PLATE DECK	
K4A	VS14770	1	ELBOW 26INCH KIT	[7]
K4B	VS14777	1	ELBOW 30INCH KIT	[8]
K5A	VS14328	1	SKIRT BRISTLE DECK -26 KIT	[7]
K5B	VS14329	1	SKIRT BRISTLE DECK -30 KIT	[8]
K7	VS10133	3	BUMPER ROLLER KIT	
K8	VS14767	1	PLATE DRIVE LT KIT	
K9	VS14766	1	PLATE DRIVE RT KIT	
K10A	VF83127	2	BRUSH DISC 330MM 13 PPL	[7]
K10A	VS14333	2	BRUSH DISC GRIT 180 GRAY 13IN	[7]
K10B	VS14326	2	BRUSH DISC 3 PPL Ø0.7 BLACK 15IN	[8]
K10B	VS14332	2	BRUSH DISC GRIT 180 GRAY 15IN	[8]
K11	VS10131	2	RETAINER PAD KIT	
K12A	VF83207	2	PAD HOLDER WITH RETAINER 13IN 330MM	[7]
K12B	VF84329	2	PAD HOLDER WITH RETAINER 15IN 381MM	[8]

Part Notes:

- [1] - K2
- [2] - K2/K8/K9
- [3] - K8/K9
- [4] - K1
- [5] - K3
- [6] - K3/K7/K10/K12
- [7] - AONLY FOR 26 INCH DISC MACHINE (AS6690T)
- [8] - BONLY FOR 30 INCH DISC MACHINE (AS7690T)
- [9] - K3/K7
- [10] - AONLY FOR 26 INCH DISC MACHINE (AS6690T)
K4
- [11] - BONLY FOR 30 INCH DISC MACHINE (AS7690T)
K4
- [12] - K9
- [13] - K4
- [14] - AONLY FOR 26 INCH DISC MACHINE (AS6690T)
K5
- [15] - BONLY FOR 30 INCH DISC MACHINE (AS7690T)
K5
- [16] - K5
- [17] - AONLY FOR 26 INCH DISC MACHINE (AS6690T)
K12
- [18] - BONLY FOR 30 INCH DISC MACHINE (AS7690T)
K12
- [19] - AONLY FOR 26 INCH DISC MACHINE (AS6690T)
K10
- [20] - BONLY FOR 30 INCH DISC MACHINE (AS7690T)
K10
- [21] - K7
- [22] - K11
- [23] - K10/K12

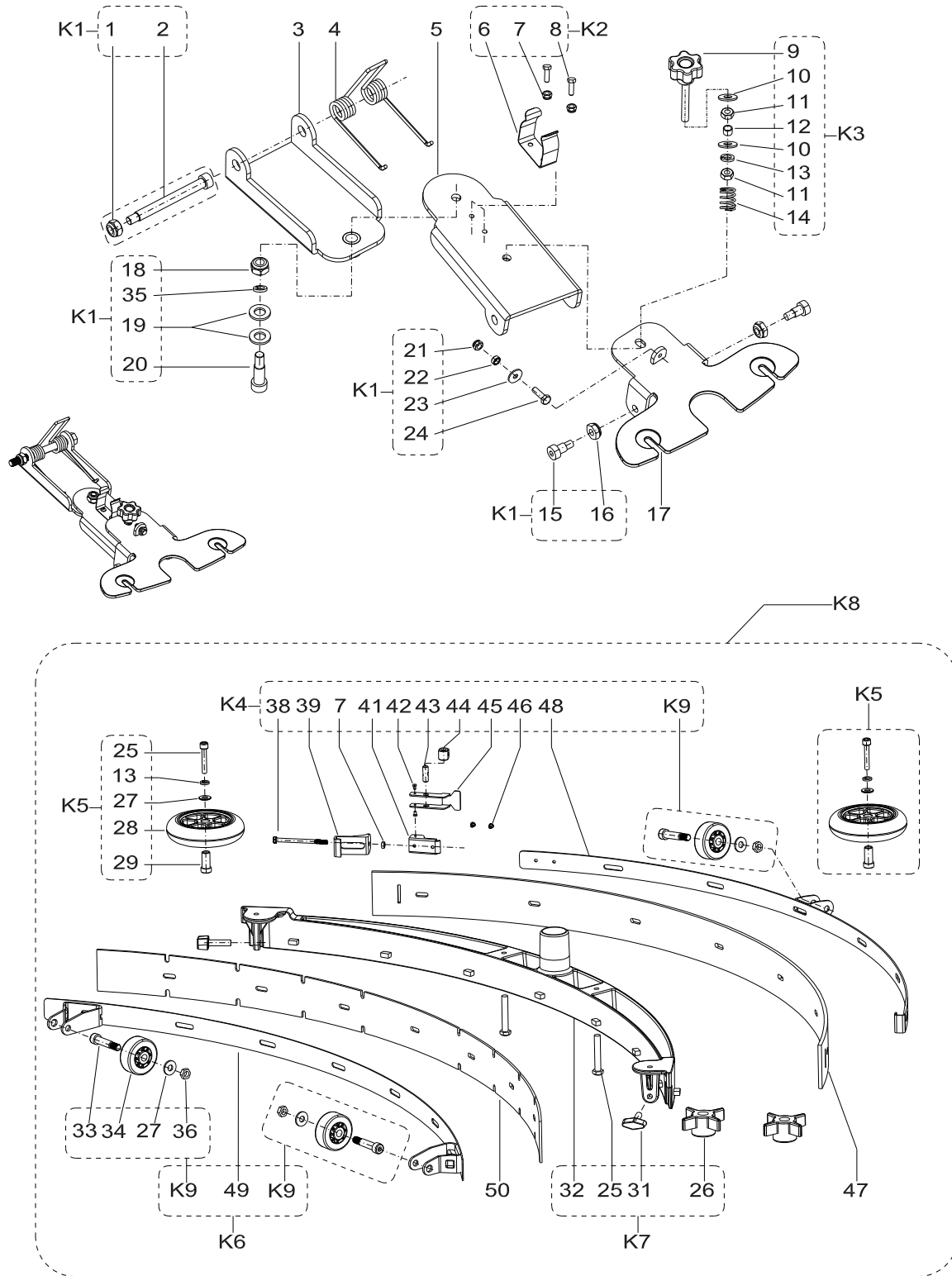


No.	Part No.	Qty.	Description	Part Note
1		5	SCREW M8X25	[1]
2		21	SPRING WASHER Ø8	[2]
3		4	WASHER Ø8.4X Ø26X2	[3]
4	VS14414	1	SUPPORT LEVER F DECK LIFT	[4]
5		16	NUT LOCK M8	[5]
6		8	WASHER Ø8X Ø20X2	[4]
7		8	BUSHING PLAST	[4]
8		9	WASHER Ø10X Ø25X2	[5]
9		8	SCREW Ø10X16XM8	[4]
10		4	LEVER ORB DECK LIFTING	[4]
11		1	SCREW M12X115	[6]
12		2	NYLON WASHER	[6]
13		1	NUT LOCK M12	[6]
14		1	LEVER ACTUATOR	[6]
15	VS14503	1	TORSIONAL SPRING	[6]
16		1	BRACKET LEVER ACTUATOR	[6]
17		4	RUBBER CAP	[7]
18		8	NUT SERRATED FLANGE 5/16	[7]
19	VS14431	1	PLATE HEAD DECK	
20	VS14622	4	ISOLATOR - 50 DURO 5/16 - 18	
20	56380272	4	ISOLATOR-50 DURO 5/16-18	
21		9	SCREW M4X16	[8]
22		1	LEVEL BRACKET	[9]
23		1	LEVEL	[9]
24		2	LABEL NO STEP	
25		1	CAP	[10]
26		7	NUT LOCK M6	[11]
27		5	WASHER Ø6X Ø18X1.5	[11]
28		1	DECAL BRUSH ADJUSTING	[10]
29	VS12315	1	KNOB ADJUSTMENT	[10]
30		5	SPRING WASHER M6	[11]
31	VS13618	1	RUBBER PLATE	[10]
32		1	WASHER 9X27X3	[10]
33		1	DOWEL BROOM PALTE FIXING	[10]
34		2	SCREW M6X35 UNI5739	[10]
35	VF85118	1	VIBRATION SPACER	[10]
36		1	VIBRATION DAMPING PLATE	[10]
37	VS14616	1	RUBBER BUMPER 28"	[12]
38	VS14434	1	RETAINER BUMPER 28"	[12]
39		6	WASHER Ø5.2X Ø12X0.9	[12]
40		6	SPRING WASHER M5	[12]
41		6	SCREW Ø5X8XM4	[12]
42	VF89116	4	CARBON BRUSH KIT	
43	VS14235	1	MOTOR ORB 750W 24V EU	
44	VS11706	1	KEY	
45		14	SCREW M8X20	[13]
46		1	WEIGHT BLOCK	[3]
47		4	CAP	[14]
48		4	SCREW M6X30	[12]
49		4	WAVE WASHER (SUS)	[12]
50		4	SPACER	[12]
51	VS10340	4	BUMPER ROLLER	[12]
52	VS14433	1	PLATE DECK F ORB 28"	
53		3	CLAMP	[15]
54		9	WASHER Ø4X Ø12X1	[16]
55		13	SPRING WASHER Ø4	[17]
56		9	SCREW M4X10	[18]
57	VS10328	1	PIPE JOINT	[15]

No.	Part No.	Qty.	Description	Part Note
58		2	CLAMP	[15]
59		1	PIPE 12x20	[15]
60	VS12309	1	PIPE B	[19]
61	VS12308	3	PIPE A	[19]
62		1	T-BRANCH PIPE	[19]
63	VS14331	1	PIPE D	[19]
64	VS13323	1	PIPE C	[19]
65		2	PIPE CAP	[19]
66		2	SCREW KA3.5X12	[19]
67		16	NUT, SERRATED FLANGE 1/4	[20]
68		4	SPACER	[13]
69	VS14621	8	ISOLATOR-1.25 30 DURO 1/4-20	
69	56382990	8	ISOLATOR-1.25 30 DURO 1/4-20	
70	VS14437	2	FLEX PLATE ASSY 28 INCH	
71	997001	1	PAD-RED-14X28-5/CS	
71	56394155	1	PAD-MAROON SPP PLUS-14X28-5/CS	
72	VS12301	1	DUSTBAND	[21]
73	VS12403	1	ECCENTRIC WHEEL	[21]
74	VS13435	1	RETAINER BEARING	[21]
75	50736A	1	BEARINGBALL OBS-18 6008	[21]
76		4	WASHER Ø6XØ28X2	[21]
77	VS12411	1	DRIVER PLATE	[21]
78	VS13434	1	RETAINER ECCENTRIC	[21]
K1	VS12104	1	HORIZONTAL ADJUSTMENT KIT	
K2	VS14742	1	RUBBER BUMPER KIT	
K3	VS12106	1	WEIGHT BLOCK KIT	
K4	VS13768	1	LEVEL KIT	
K5	VS10133	4	BUMPER ROLLER KIT	
K6	VS13772	1	INLET PIPE KIT	
K7	VS13766	4	SUPPORT LOWER ISOLATOR SCREW KIT	
K8	VS14771	1	OUTLET PIPE KIT	
K9	VS13770	1	DRIVER PLATE KIT	
K11	VS14769	1	SPRING HOLDER KIT	
K12	VS14772	1	BRUSH LIFTING SUPPORT KIT	

Part Notes:

- [1] - K3/K9
- [2] - K3/K7/K9/K12
- [3] - K3
- [4] - K12
- [5] - K7/K12
- [6] - K11
- [7] - K10
- [8] - K4/K8/K9
- [9] - K4
- [10] - K1
- [11] - K1/K5
- [12] - K2
- [13] - K7
- [14] - K5
- [15] - K6
- [16] - K6/K8
- [17] - K6/K8/K9/K9
- [18] - K6/K9
- [19] - K8
- [20] - K7/K9
- [21] - K9



No.	Part No.	Qty.	Description	Part Note
1		1	NUT LOCK M12	[1]
2		1	SCREW M12X115	[1]
3	VS10401	1	FRONT SQUEEGEE SUPPORT	
4	VF82172	1	LOCK SPRING	
5	VS14412	1	BACK SQUEEGEE SUPPORT	
6		1	CLAMP DRAIN HOSE	[2]
7		3	NUT LOCK M5	[2]
8		2	SCREW M5X12	[2]
9	VF85143	2	ADJUSTMENT KNOB	[3]
10		2	WASHER Ø8XØ16.5X1	[3]
11		2	NUT M8	[3]
12		1	SPACER Ø8XØ10X6	[3]
13		3	SPRING WASHER Ø8	[4]
14		1	SPRING	[3]
15		2	SCREW Ø10X11.5XM8	[1]
16		2	NUT LOCK M8	[1]
17	VS14442	1	COATING SQUEEGEE CONNECTOR PLATE	
18		1	NUT LOCK M10	[1]
19		2	NYLON SPACER	[1]
20		1	SCREW Ø12X16XM10	[1]
21		1	NUT LOCK M6	[1]
22		1	SPACER	[1]
23		1	WASHER Ø6.2X Ø16X2	[1]
24		1	SCREW M6X20	[1]
25		4	SCREW M8X50	[5]
26	VF81210	2	THUMB NUT	
27		5	WASHER Ø8XØ16X1.5	[6]
28	VR14404	2	ROLLER BUMPER	[6]
29		2	SPACER Ø14XØ8.2X21	[6]
31	VF85420	2	KNOB CT 476/30 S-P-M8X30 BP INOX / SS	[7]
32A	VS14447	1	SQUEEGEE BODY 830MM 33 AL.	[8]
32B/32C	VR16005	1	SQUEEGEE BODY 950MM 37 AL.	[9]
33		3	SCREW Ø 9.5x31.5x5/16"	[10]
34		3	ROLLER BUMPER	[10]
35		1	SPRING WASHER, Ø10	[1]
36		3	NUT LOCK M8 5/16"	[10]
38		1	SCREW M5X70	[11]
39	VR16202	1	STRAP SQUEEGEE RIGHT REAR BUCKLE	[11]
41		1	BUCKLE STAY	[11]
42		2	SUS RIVET Ø3X5	[11]
43		1	BUCKLE SHAFT	[11]
44		1	BUCKLE SHAFT SPACER	[11]
45		1	BUCKLE FRAME	[11]
46		2	SUS RIVET Ø4X5	[11]
47A	VS14633	1	BLADE REAR PU 830MM 33IN	[12]
47A	VS14638	1	BLADE REAR RUBBER 830MM 33IN	[12]
47A	VS14640	1	BLADE REAR LINATEX 830MM 33IN	[12]
47B/47C	VR16003	1	BLADE SQUEEGEE REAR PU 940MM 37	[13]
47B/47C	VS14636	1	BLADE REAR RUBBER 940MM 37IN	[13]
47B/47C	VR16003L	1	BLADE SQUEEGEE REAR LINATEX 940MM 37	[13]
48A	VS14448	1	STRAP.SQUEE. SUS304 RR 830MM 33IN	[14]
48B/49C	VR16220	1	STRAP SQUEE SUS304 RR 940MM 37IN	[15]
49A	VS14445	1	STRAP.SQUEE. SUS304 FR 830MM 33IN	[16]
49B/49C	VR16110	1	STRAP SQUEE SUS304 FR 940MM 37IN	[17]
50A	VS14632	1	BLADE FRONT PU 830MM 33IN	[12]
50A	VS14637	1	BLADE FRONT RUBBER 830MM 33IN	[12]
50A	VS14639	1	BLADE FRONT LINATEX 830MM 33IN	[12]
50B/50C	VR16002	1	BLADE SQUEEGEE FRONT PU 940MM 37	[13]

No.	Part No.	Qty.	Description	Part Note
50B/50C	VS14635	1	BLADE FRONT RUBBER 940MM 37IN	[13]
50B/50C	VR16002L	1	BLADE SQUEEGEE FRONT LINATEX 940MM 37	[13]
K1	VS13711	1	HARDWARE SQUEEGEE SUPPORT KIT	
K2	VS14778	1	CLAMP HOSE KIT	
K3	VF90141	1	KONB ADJUSTMENT KIT	
K4A	VS14713	1	STRAP KIT SQUEE. RR 830MM 33IN	[12]
K4B/K4C	VR16200	1	STRAP KIT REAR SQUEEGEE	[13]
K5	VR16007	2	WHEEL KIT BUMPER	
K6A	VS14712	1	STRAP KIT SQUEE. FR 830MM 33IN	[12]
K6B/K6C	VR16100	1	STRAP KIT FRONT SQUEEGEE	[13]
K7A	VS14711	1	SQUEEGEE BODY AL.830MM 33IN KIT	[12]
K7B/K7C	VR16008	1	SQUEEGEE ALUMINUM BODY	[13]
K8A	VS14708	1	SQUEEGEE F RED NR BLADE 830MM 33IN KIT	[12]
K8A	VS14707	1	SQUEEGEE F PU BLADE 830MM 33IN KIT	[12]
K8A	VS14709	1	SQUEEGEE F LINATEX BLADE 830MM 33IN KIT	[12]
K8B/K8C	VR16000	1	COMPLETE SQUEEGEE KIT 940MM 37 PU	[13]
K8B/K8C	VS14704	1	SQUEEGEE F RED NR BLADE 940MM 37IN KIT	[13]
K8B/K8C	VS14710	1	SQUEEGEE F LINATEX BLADE 940MM 37IN KIT	[13]
K9	VF90136	3	SQUEEGEE GUIDE WHEEL	

Part Notes:

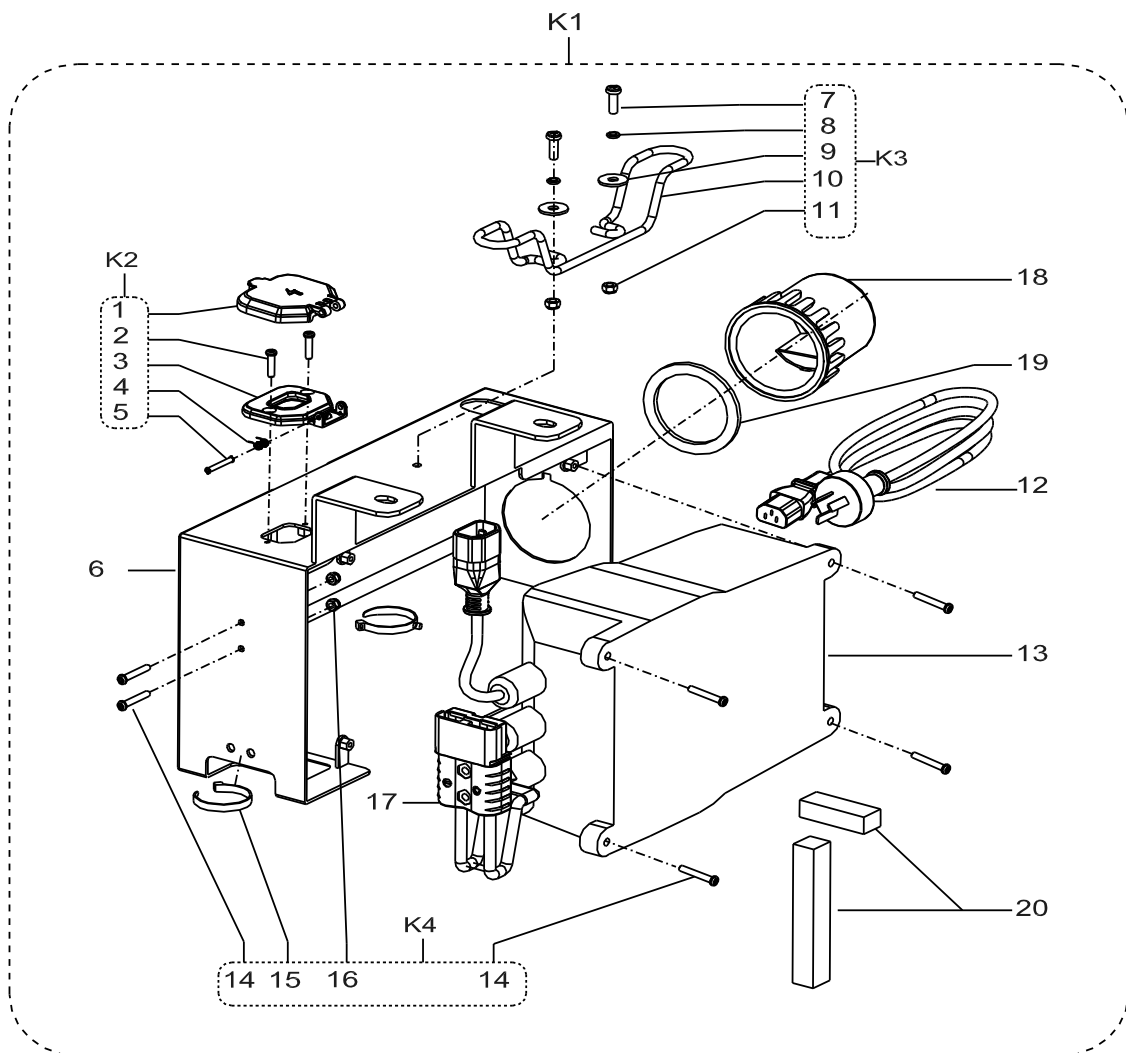
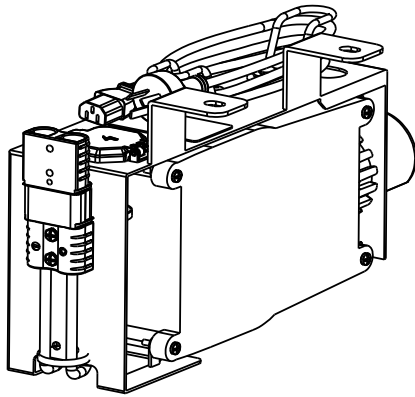
- [1] - K1
- [2] - K2
- [3] - K3
- [4] - K3/K5
- [5] - K5/K7
- [6] - K5
- [7] - K7
- [8] - AONLY FOR 26 INCH DISC MACHINE (AS6690T)
K7
- [9] - BONLY FOR 30 INCH DISC MACHINE (AS7690T)

ONLY FOR 28 INCH ORBITAL MACHINE (AS7190TO)
K7
- [10] - K4/K6
- [11] - K4
- [12] - AONLY FOR 26 INCH DISC MACHINE (AS6690T)
- [13] - BONLY FOR 30 INCH DISC MACHINE (AS7690T)

ONLY FOR 28 INCH ORBITAL MACHINE (AS7190TO)
- [14] - AONLY FOR 26 INCH DISC MACHINE (AS6690T)
K4
- [15] - BONLY FOR 30 INCH DISC MACHINE (AS7690T)

ONLY FOR 28 INCH ORBITAL MACHINE (AS7190TO)
K4
- [16] - AONLY FOR 26 INCH DISC MACHINE (AS6690T)
K6
- [17] - BONLY FOR 30 INCH DISC MACHINE (AS7690T)

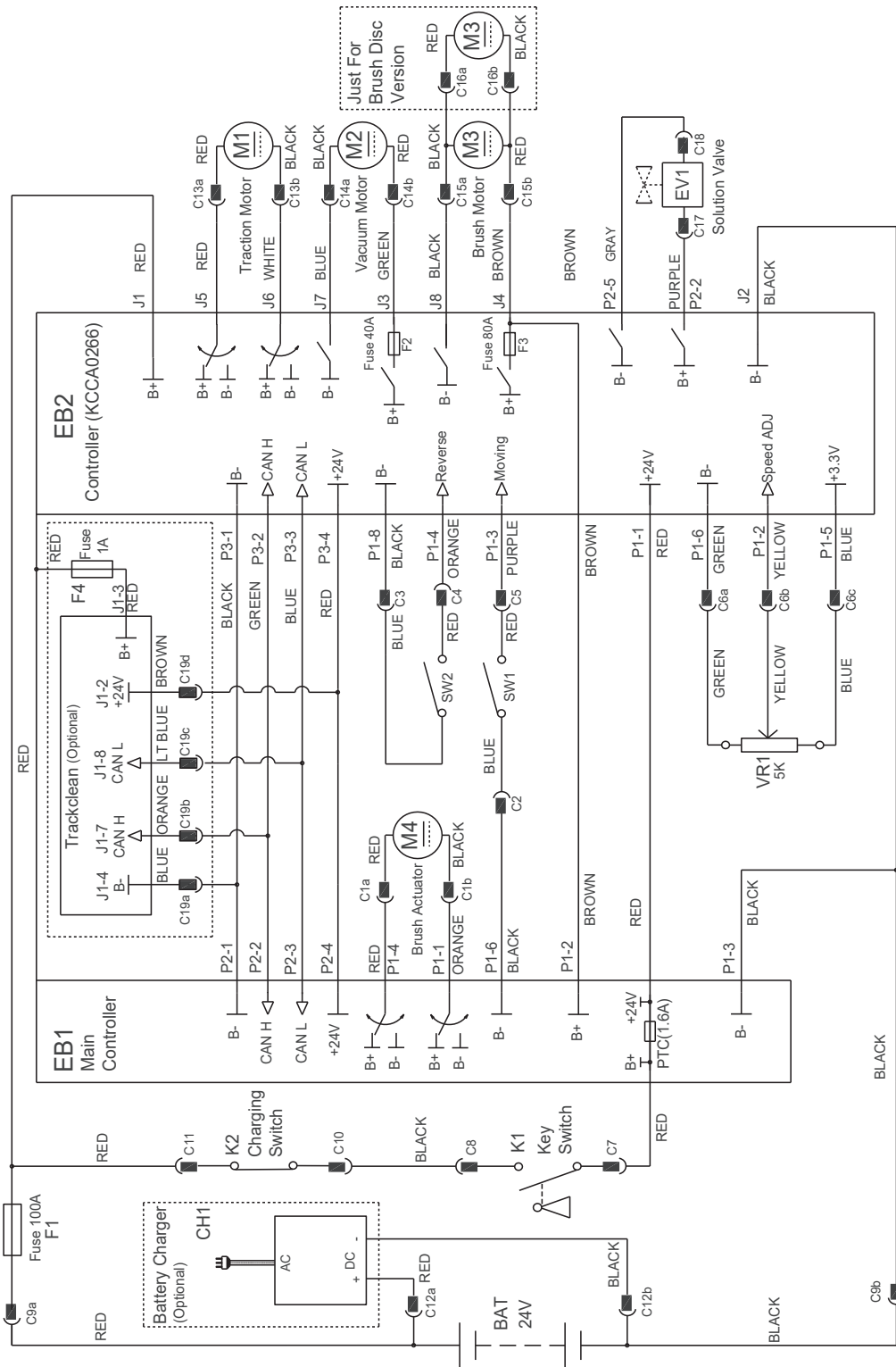
ONLY FOR 28 INCH ORBITAL MACHINE (AS7190TO)
K6



No.	Part No.	Qty.	Description	Part Note
1		1	CHARGER SOKET COVER	[1]
2		2	SCREW M4X16	[1]
3		1	CHARGER SOKET FIX	[1]
4		1	SPRING	[1]
5		1	PIN	[1]
6		1	BRACKET ON-BOARD CHARGER BATTERY	
7		2	SCREW M5X15	[2]
8		2	SPRING WASHER M5	[2]
9		2	WASHER Ø6XØ18X1.5	[2]
10		1	CABLE SUPPORT	[2]
11		2	LOCK NUT M5	[3]
12	VF89725	1	CHARGER POWER CABLE EU PLUG	[4]
12	VF89726	1	CHARGER POWER CABLE UK PLUG	[4]
12	VF89724	1	CHARGER POWER CABLE US PLUG	[4]
13	VS14233	1	CHARGER 24V 25A EU	[4]
14		4	SCREW M4X25	[3]
15		2	CLAMP	[3]
16		6	NUT LOCK M4	[3]
17	VR27007	1	SB120 BATTERY CONNECTOR	
18		1	CHARGER TUYERE	
19		1	CHARGER TUYERE SEAL RING	
20		1	SPONGE	
K1	VS14717	1	CHARGER ON-BOARD KIT 25A US	
K1	VS14716	1	CHARGER ON-BOARD KIT 25A EU-UK	
K2	VS10126	1	CHARGER SOKET KIT	
K3	VF90280	1	CORD WRAP KIT	
K4	VS14779	1	SCREW KIT CHARGER	

Part Notes:

- [1] - K2
- [2] - K3
- [3] - K4
- [4] - K1



No.	Part No.	Qty.	Description	Part Note
EB1	VS14204	1	CONTROL PANEL BOARD DISC	
EB1	VS14225	1	CONTROL PANEL BOARD ORBITAL	
EB2	VS14205	1	CONTROLLER MAIN MACHINE	[1]
BAT		4	BATTERIES	
F1	VS14213	1	FUSE 100A	
F2	VS14238	1	FUSE 40A	
F3	VS14237	1	FUSE 80A	
CH1	VS14716	1	CHARGER ON-BOARD KIT 25A EU-UK	
K1	9100001354	1	SWITCH IGNITION STARTER WITH CAP SIP	
K2	VR12005	1	MICRO SWITCH	
SW	VS10202	3	SWITCH	
VR1	VS14222	1	SPEED POTENTIOMETER	
EV1	VR11600	1	VALVE	
M1	VS14226	1	MOTOR TRACTION 250W 18.5A 115RPM	
M1	VS14230	1	MOTOR TRACTION 350W 22A 115RPM EU	
M2	VS14231	1	MOTOR VACUUM 24V 500W 3STAGES EU	
M3	VR37042	2	KIT MOTOR LEFT BRUSH	
M3	VS14235	1	MOTOR ORB 750W 24V EU	
M4	VS12704	1	SPLIT PIN B	
M4	VS14228	1	ACTUATOR LINEAR 24VDC 80KG STRK 145MM	

Part Notes:

- [1] - TSB-FC-2021-019 AS6690 PCBA
DE TSB-FC-2021-019 AS6690 Steuerung

WEAR AND TEAR PARTS

AS7690T

2013.04.23

2020.05.20

No.	Part No.	Qty.	Description	Part Note
1	VS10601	1	SUCTION HOSE	
2	VS10202	3	SWITCH	
3A/3B	VS13762	1	ACTUATOR KIT	[1]
3C	VS14741	1	ACTUATOR LINEAR 24V 80KG STRK 145MM KIT	[2]
4	VF90536	1	COVER KIT WATER OUTLET	
5	VS10102	1	FILTER COVER KIT	
6	VS14626	1	CAGE FLOAT COMPLETE	
7	VF85124	1	FLOATING BALL	
8	VF90522	2	CARBON BRUSH FOR VACUUM MOTOR	
9	VS14231	1	MOTOR VACUUM 24V 500W 3STAGES EU	
9	VR17118	1	MOTOR VACUUM 24V 500W 3STAGES US	
10	VS14601	1	GASKET SIR	
11	VS14602	1	DRAIN HOSE	
12A	VS14204	1	CONTROL PANEL BOARD DISC	[3]
12B	VS14225	1	CONTROL PANEL BOARD ORBITAL	[4]
13	9100001354	1	SWITCH IGNITION STARTER WITH CAP SIP	
14	VS14774	1	ADJUST SPEED KNOB KIT	
15	VS14205	1	CONTROLLER MAIN MACHINE	[5]
16	VS14752	1	FUSE KIT	
17	VS14757	1	CHARGER SOKET KIT	
18	VS14501	1	CABLE Ø4.8 500MM	
19A/19B	VS14750	1	HARNESS MACHINE F DISC KIT	[1]
19C	VS14775	1	HARNESS MACHINE F ORB KIT	[2]
20	VS14763	1	WHEEL TRACTION 9 INCH RT KIT	
21	VS14764	1	WHEEL TRACTION 9 INCH LT KIT	
22	VF83111-1	2	4 INCH CASTER	
23A/23B	VS11703	1	CARBON BRUSH KIT	[1]
23C	VS14236	1	CARBON BRUSH KIT	[2]
24A/24B	VS14226	1	MOTOR TRACTION 250W 18.5A 115RPM	[1]
24	VS14230	1	MOTOR TRACTION 350W 22A 115RPM EU	
24	VS14227	1	MOTOR TRACTION 350W 22A 115RPM US	
25	VF90621	1	FILTER	
26	VR11600	1	VALVE	[6]
27	VR37042	1	KIT MOTOR LEFT BRUSH	
28	VS14229	1	MOTOR BRUSH 24V 550W 180 RPM US	
29	VF89116	8	CARBON BRUSH KIT	
30	VS14328	1	SKIRT BRISTLE DECK -26 KIT	
31	VS14329	1	SKIRT BRISTLE DECK -30 KIT	
32	VS10133	3	BUMPER ROLLER KIT	
33	VR14003	2	KEY	
34A	VF83127	1	BRUSH DISC 330MM 13 PPL	[3]
35B	VS14326	1	BRUSH DISC 3 PPL Ø0.7 BLACK 15IN	[4]
36A	VF83207	1	PAD HOLDER WITH RETAINER 13IN 330MM	[3]
36B	VF84329	1	PAD HOLDER WITH RETAINER 15IN 381MM	[4]
37	VS14622	4	ISOLATOR - 50 DURO 5/16 - 18	
38	VS14235	1	MOTOR ORB 750W 24V EU	
39	VS14621	8	ISOLATOR-1.25 30 DURO 1/4-20	
40	50736A	1	BEARINGBALL OBS-18 6008	
41	VR16007	2	WHEEL KIT BUMPER	
42	VF90136	3	SQUEEGEE GUIDE WHEEL	
43	VS14632	1	BLADE FRONT PU 830MM 33IN	
43	VS14637	1	BLADE FRONT RUBBER 830MM 33IN	
43	VS14639	1	BLADE FRONT LINATEX 830MM 33IN	
44	VR16002	1	BLADE SQUEEGEE FRONT PU 940MM 37	
44	VS14635	1	BLADE FRONT RUBBER 940MM 37IN	
44	VR16002L	1	BLADE SQUEEGEE FRONT LINATEX 940MM 37	
45	VS14633	1	BLADE REAR PU 830MM 33IN	
45	VS14638	1	BLADE REAR RUBBER 830MM 33IN	

No.	Part No.	Qty.	Description	Part Note
45	VS14640	1	BLADE REAR LINATEX 830MM 33IN	
46	VR16003	1	BLADE SQUEEGEE REAR PU 940MM 37	
46	VS14636	1	BLADE REAR RUBBER 940MM 37IN	
46	VR16003L	1	BLADE SQUEEGEE REAR LINATEX 940MM 37	

Part Notes:

- [1] - AONLY FOR 26 INCH DISC MACHINE (AS6690T)
BONLY FOR 30 INCH DISC MACHINE (AS7690T)
- [2] - ONLY FOR 28 INCH ORBITAL MACHINE (AS7190TO)
- [3] - AONLY FOR 26 INCH DISC MACHINE (AS6690T)
- [4] - BONLY FOR 30 INCH DISC MACHINE (AS7690T)
- [5] - TSB-FC-2021-019 AS6690 PCBA
DE TSB-FC-2021-019 AS6690 Steuerung
- [6] - TSB-DG-2020-001 WOLF3 solenoid valve

