

# PARTS LIST

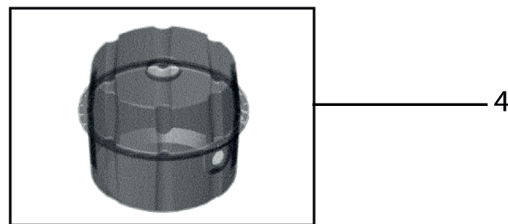
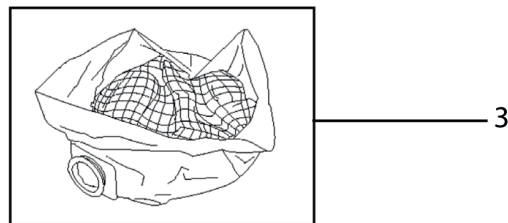
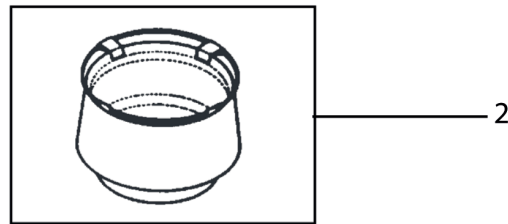
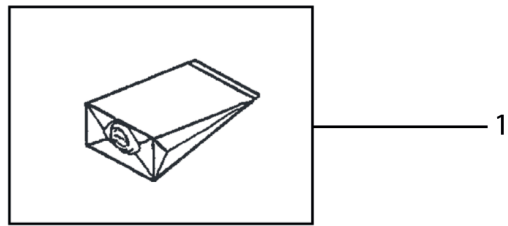
---

2021.11.30

# TABLE OF CONTENTS

---

L264 - 1 - FILTERS AND DUST BAG .....	1
L264 - 2 - EXHAUST FILTERS AND HANDLE .....	3
L264 - 3 - CONTAINER UNIT .....	5
L264 - 4 - MOTOR HEAD FOR STANDARD CLASS .....	7
L264 - 5 - MOTOR AND MOTOR WIRE FOR .....	9
L264 - 6 - AUTOCLAVABLE ACCESSORIES .....	11
L264 - 7 - ANTISTATIC ACCESSORIES .....	13
L264 - 8 - STANDARD ACCESSORIES .....	15
OPTIONALS .....	17



# L264 - 1 - FILTERS AND DUST BAG

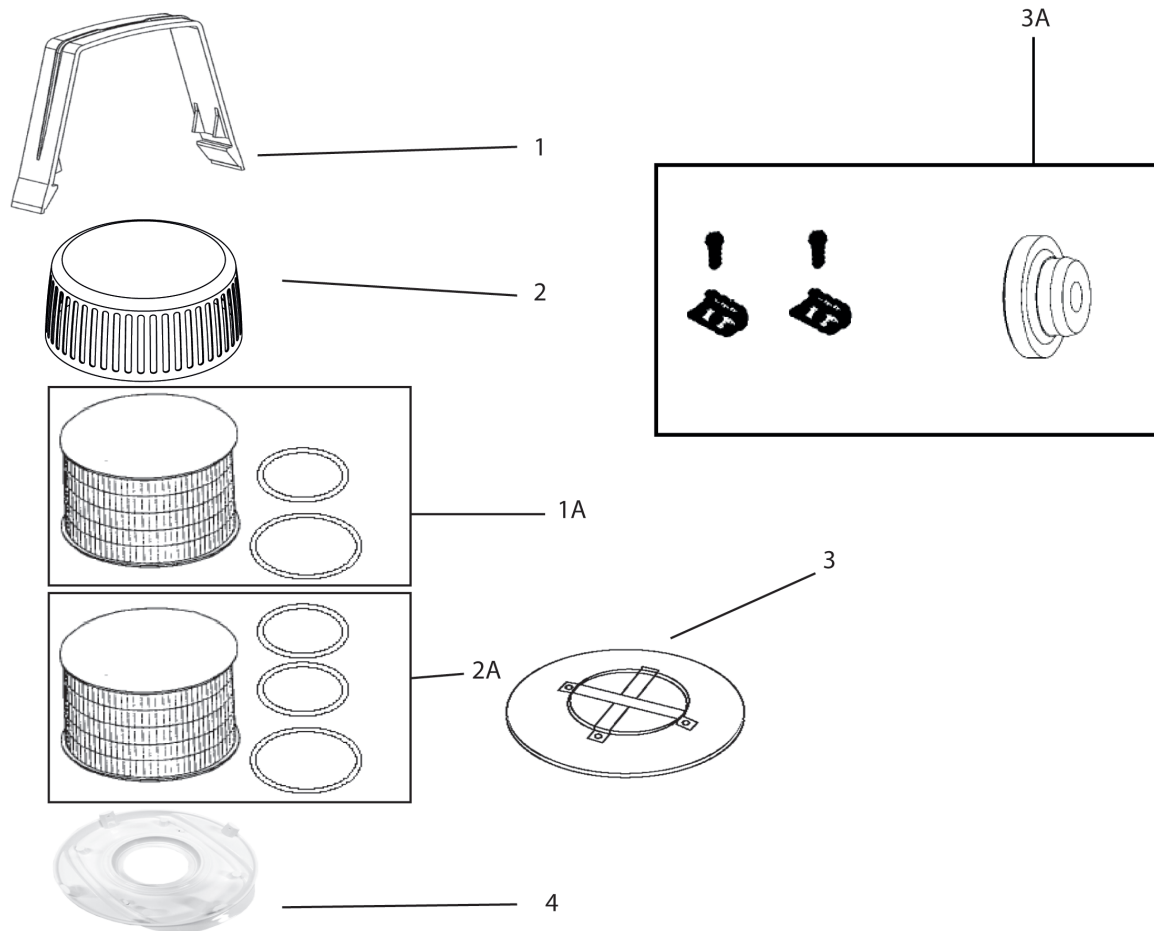
IVT 1000 CR H-CLASS

2020.07.19

2021.07.27

---

No.	Part No.	Qty.	Description	Part Note
01	81620000	1	DUST BAG 6.5 LITRES 5 PCS	
02	61909800	1	FILTER 8214 GS/GM80/-81 IVT/C	
03	81303215	1	HEALTH & SAFETY BAG IVT/CRX 1000. 5 PCS	
3	81303216	1	HEALTH & SAFETY BAG IVT/CRX 1000	
04	81303218	1	SAFE PACK REPLACEMENT IVT/CRX 1000	



# L264 - 2 - EXHAUST FILTERS AND HANDLE

IVT 1000 CR H-CLASS

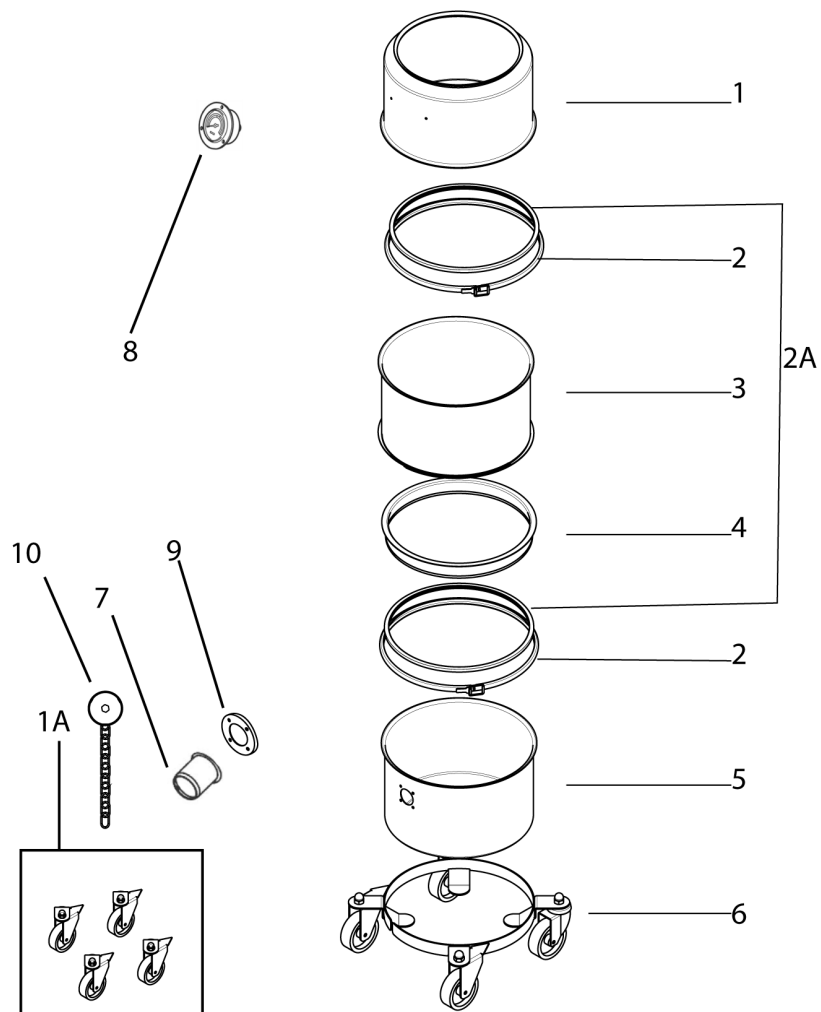
2019.02.15

2019.10.28

No.	Part No.	Qty.	Description	Part Note
1	80603000	1	HANDLE	
2	80555500	1	EXHAUSTFILTER COVER STAINLESS STAINLESS	
3	80559200	1	FILTER PLATE H-CLASS	
4	82107001	1	FILTERBRACKET WHITE	[1]
1A	80556600	1	ULPA FILTER KIT	
2A	80556400	1	HEPA/H-CLASS FILTER KIT	
3A	80551800	1	BRACKETS FOR HANDLE	

**Part Notes:**

[1] - USED IN PRODUCTION

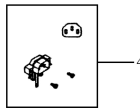
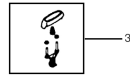
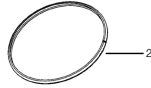
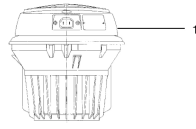


No.	Part No.	Qty.	Description	Part Note
1	81551400	1	UPPER CONTAINER STAINLESS	
2	80386400	2	CLAMPRING FOR CONTAINER	
3	80551600	1	FILTER CONTAINER H-CLASS	
4	80551300	1	RING FOR FILTER STAINLESS	
5	80551500	1	LOWER CONTAINER STAINLESS	
6	81303229	1	TROLLEY FOR IVT1000	
7	80555200	1	INLET 32 MM. IVT1000CR STAINLESS 316	
8	81303227	1	MANOMETER FOR IVT-CRX	
9	80353000	1	SEALING FOR INLET	
10	80559400	1	END CAP FOR INLET STAINLESS	
1A	80551000	1	WHEEL KIT AUTOCLAVABLE	[1]
2A	80386700	1	SEALING FOR CONTAINER	

## Part Notes:

[1] - DE TSB-IVS-2019-51 IVT1000 Neuer Fahrwagen





# L264 - 4 - MOTOR HEAD FOR STANDARD CLASS

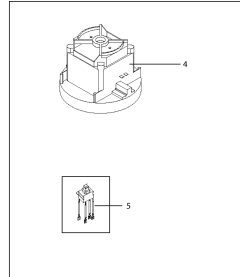
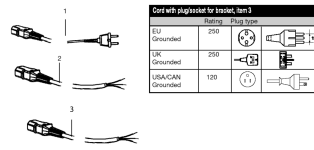
IVT 1000 CR H-CLASS

2019.02.15

2019.10.28

---

No.	Part No.	Qty.	Description	Part Note
1	12110729	1	MOTOR UNIT SPARE GMPJ WHITE US	
1	12110553	1	MOTOR UNIT SPARE GMPJ WHITE EU	
2	80386300	1	CLAMPRING FOR MOTOR	
3	22410500	1	ON/OFF DEVICE FOR GS/GM	
4	20705500	1	SOCKET EARTHED W. PARTS	



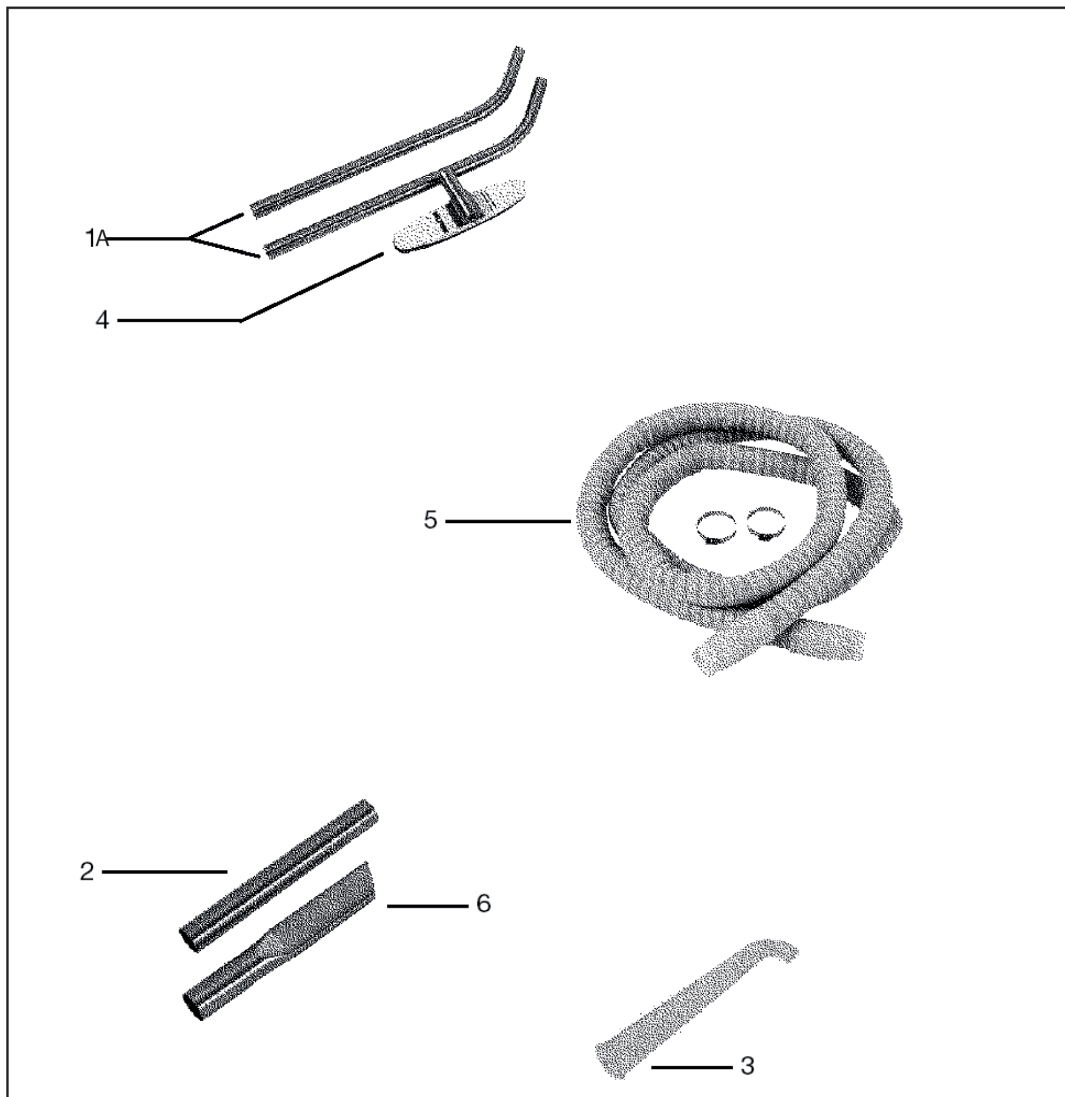
# L264 - 5 - MOTOR AND MOTOR WIRE FOR

IVT 1000 CR H-CLASS

2019.02.15

2019.10.28

No.	Part No.	Qty.	Description	Part Note
1	21827400	1	9.3M CORD AWG18/3 CON./US	
2	4083901466	1	POWER CABLE 3G1 SCHUKO PLUG FOR IVT1000	
3	4083901782	1	CABLE 3G1,5 IVT1000 SOCKET CH 10A	
4	12125002	1	FAN UNIT 220-240V 800W	
4	12125003	1	MOTOR GMP 110-120V	
5	22131200	1	ON/OFF SWITCH 2-POLE	



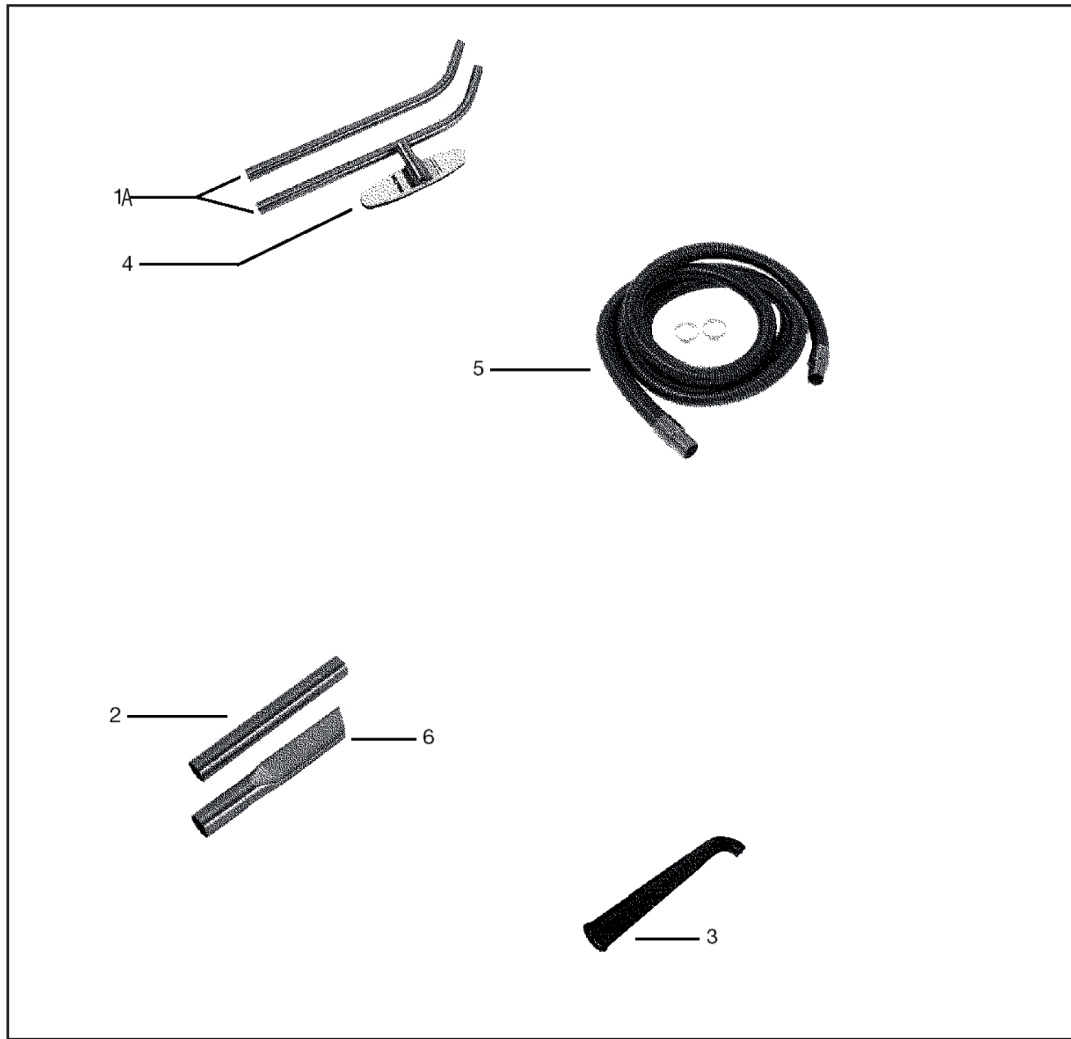
# L264 - 6 - AUTOCLAVABLE ACCESSORIES

IVT 1000 CR H-CLASS

2020.07.20

2020.07.21

No.	Part No.	Qty.	Description	Part Note
02	11882505	1	TUBE STRAIGHT D32 250MM STAINLESS STEEL	
03	81141103	1	FLEXIBLE NOZZLE 240MM D32MM SI AUTOCLAVE	
04	22430808	1	FLAT NOZZLE IVT1000 AUTOCLAVE FDA 300MM	
05	80551900	1	HOSE SILICONE 3M	
06	80552000	1	NOZZLE CREVICE D32 250MM STAINLESS STEEL	
1A	11112500	1	TUBE STAINLESS KIT	
2A	80556700	1	STARTER KIT AUTOCLAVABLE	



# L264 - 7 - ANTISTATIC ACCESSORIES

IVT 1000 CR H-CLASS

2020.07.20

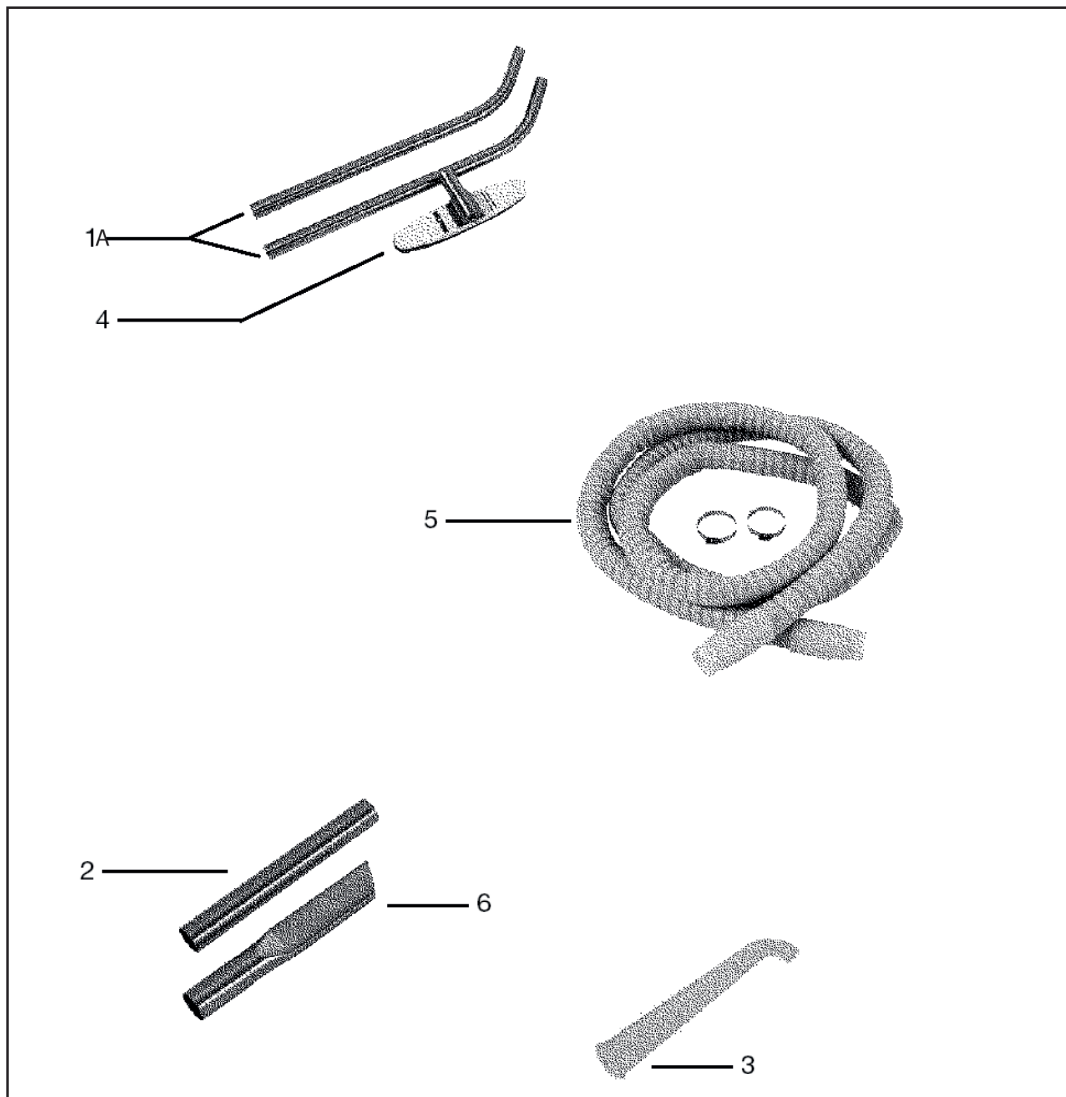
2020.07.21

No.	Part No.	Qty.	Description	Part Note
02	11882505	1	TUBE STRAIGHT D32 250MM STAINLESS STEEL	
03	81932600	1	FLEXIBLE NOZZLE 240MM D32MM NBR ANTISTAT	
04	22431608	1	NOZZLE FLOOR ANTI STATIC	[1]
05	80552900	1	HOSE ANTISTATIC 3M	
06	80552000	1	NOZZLE CREVICE D32 250MM STAINLESS STEEL	
1A	11112500	1	TUBE STAINLESS KIT	
2A	80551200	1	START KIT NOSTAT IVT1000	

**Part Notes:**

[1] - CONTACT PM IN ZOCCA





# L264 - 8 - STANDARD ACCESSORIES

IVT 1000 CR H-CLASS

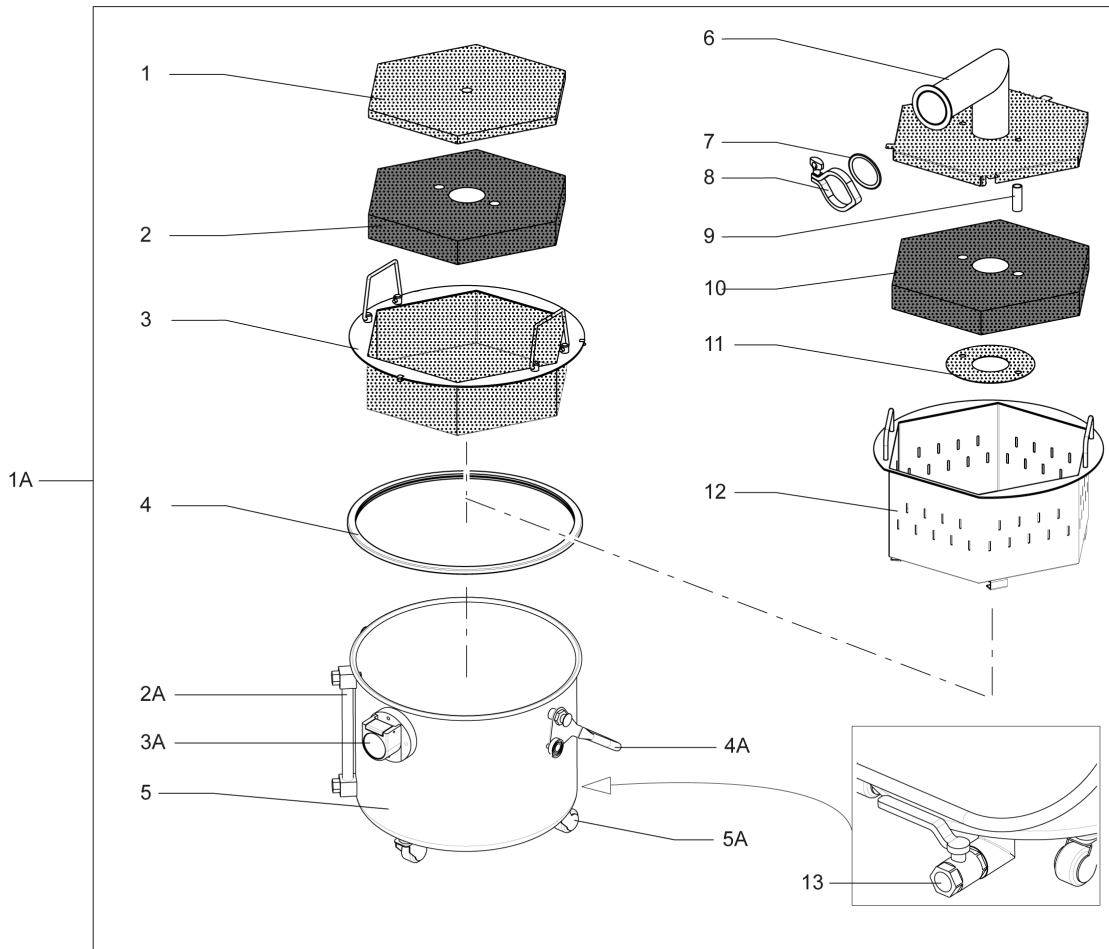
2020.07.20

2020.07.21

No.	Part No.	Qty.	Description	Part Note
02	11882505	1	TUBE STRAIGHT D32 250MM STAINLESS STEEL	
03	81141101	1	FLEXIBLE NOZZLE 240MM D32MM CR	
04	22431611	1	NOZZLE FLOOR STANDARD 300MM FLAT	[1]
05	80553100	1	HOSE STANDARD 3M	
06	80552000	1	NOZZLE CREVICE D32 250MM STAINLESS STEEL	
1A	11112500	1	TUBE STAINLESS KIT	
2A	80551100	1	START KIT STD. IVT1000CR	

**Part Notes:**

[1] - CONTACT PM IN ZOCCA



---

No.	Part No.	Qty.	Description	Part Note
1	4083901782	1	CABLE 3G1,5 IVT1000 SOCKET CH 10A	
2	82107001	1	FILTERBRACKET WHITE	[1]
3	80559400	1	END CAP FOR INLET STAINLESS	
4	80555500	1	EXHAUSTFILTER COVER STAINLESS STAINLESS	

Part Notes:

[1] - USED IN PRODUCTION

