

# PARTS LIST

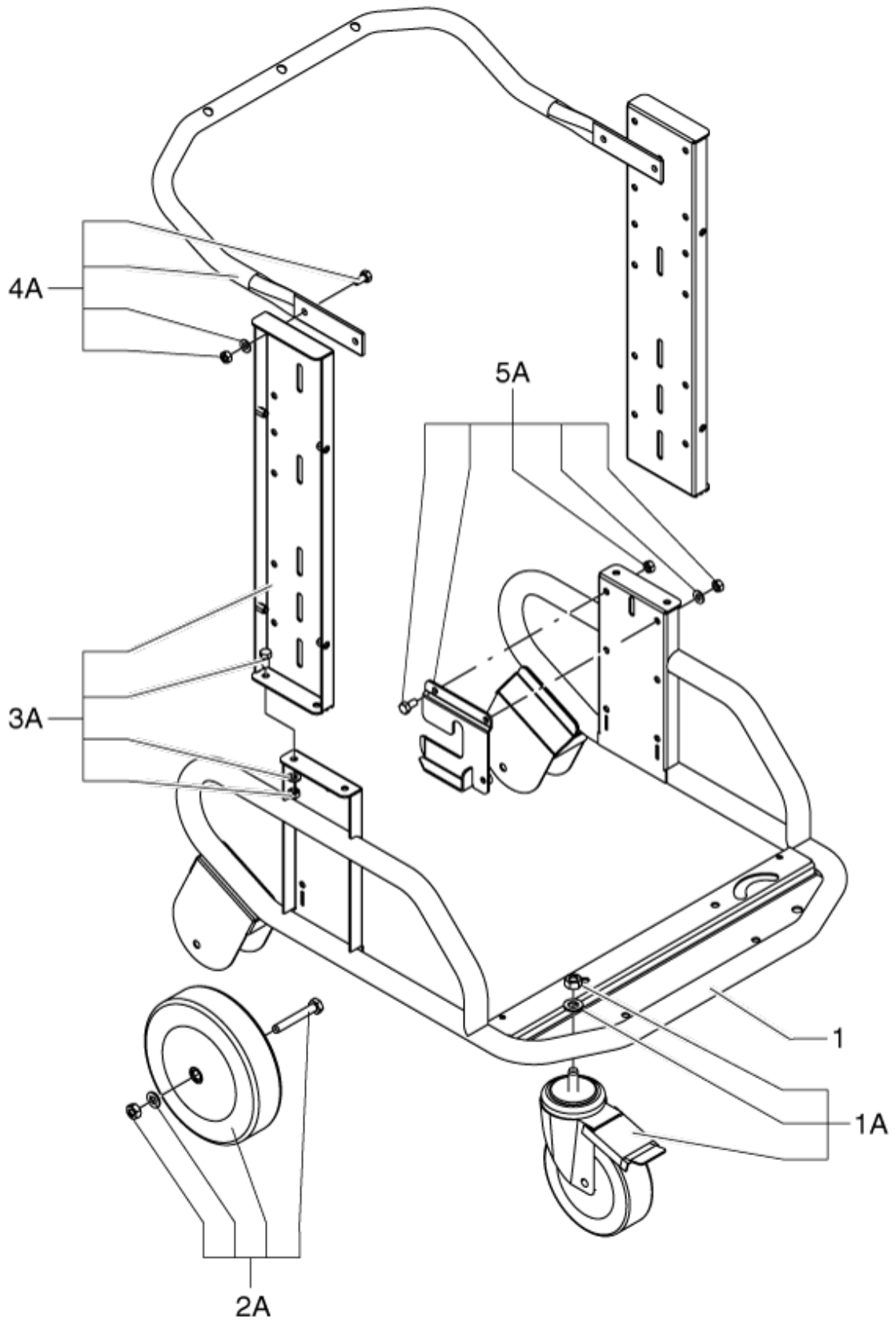


2021.10.04

# TABLE OF CONTENTS

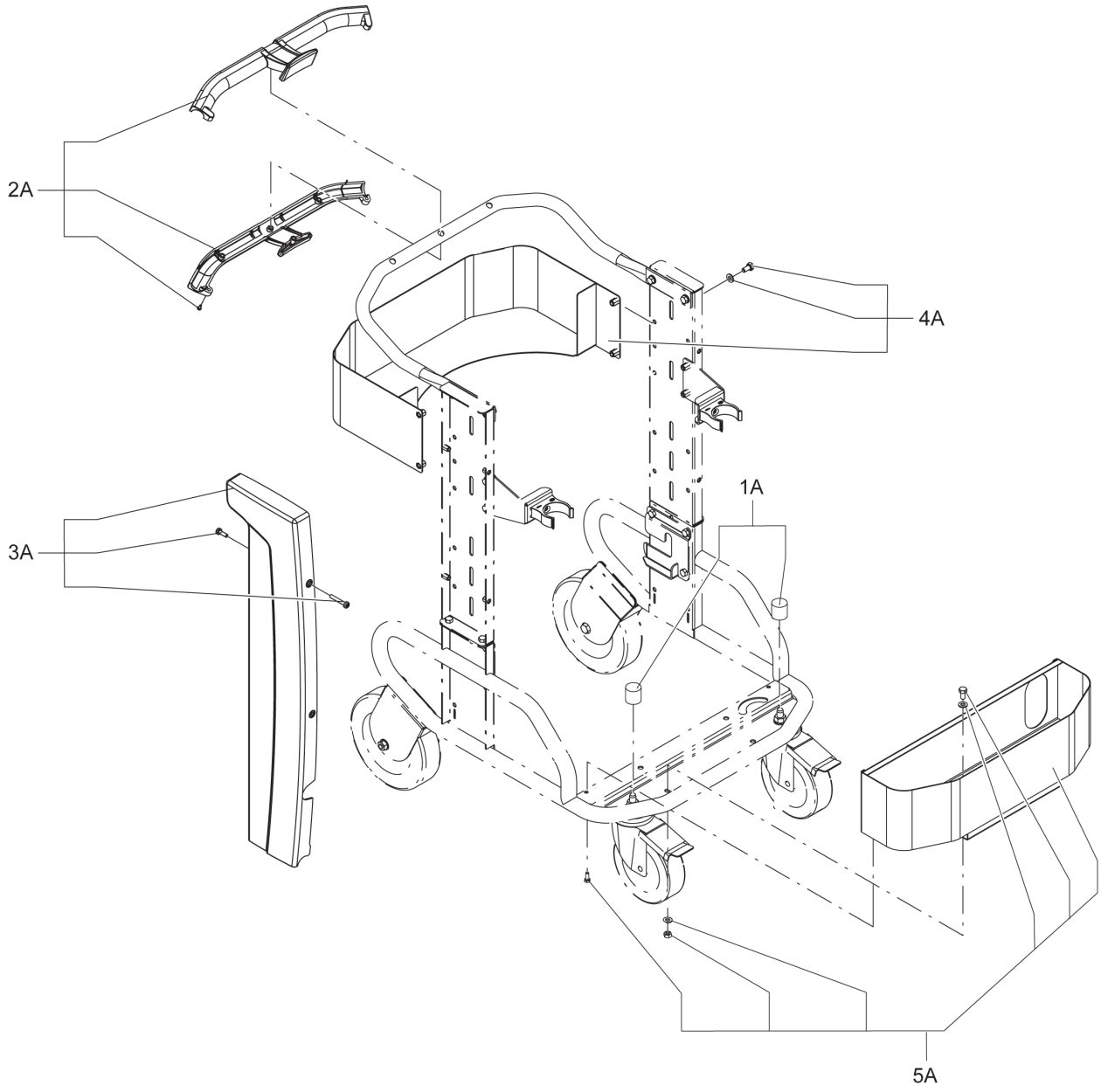
---

L142 - 1 - CAR .....	1
L142 - 2 - CAR .....	3
L142 - 3 - CONTAINER UNIT .....	5
L142 - 4 - CONTAINER UNIT .....	7
L142 - 5 - FILTER GROUP .....	9
L142 - 6 - ABSOLUT FILTER .....	11
L142 - 7 - SUCTION UNIT .....	13
L142 - 8 - CYCLON KIT .....	15
L142 - 9 - GRID GROUP .....	17
L142 - 10 - GRID AND DEPRESSOR .....	19



---

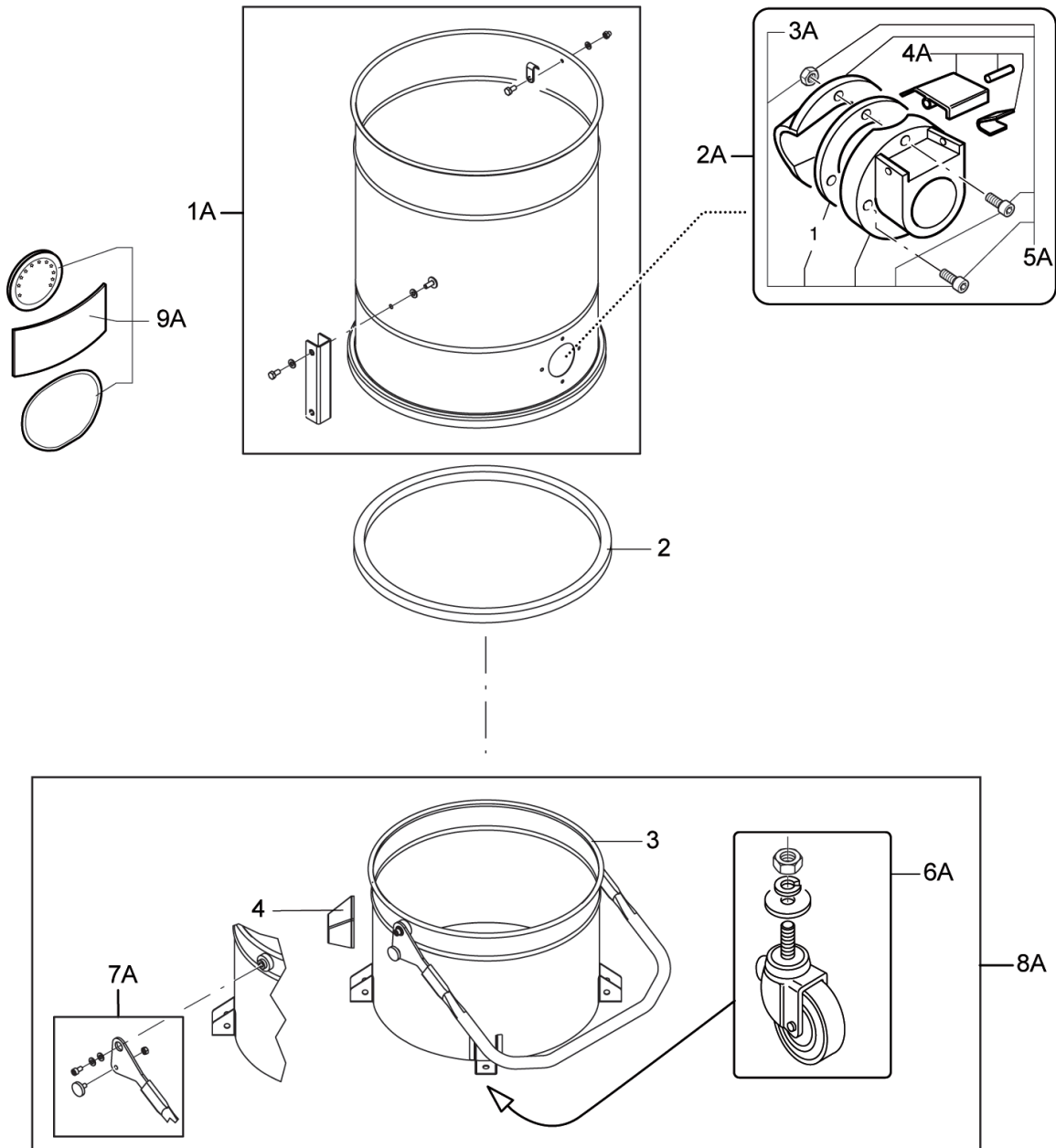
No.	Part No.	Qty.	Description	Part Note
01	4083600611	1	TROLLEY FOR MODEL S2-S3 R7016	
01A	40000874	1	KIT 2 REVOLV. CASTORS D150	
02A	40000873	1	WHEEL D200 KIT	
03A	40000871	1	UPRIGHT KIT	
04A	40000891	1	HANDLE KIT	
05A	40000872	1	BIN RELEASE KIT	



---

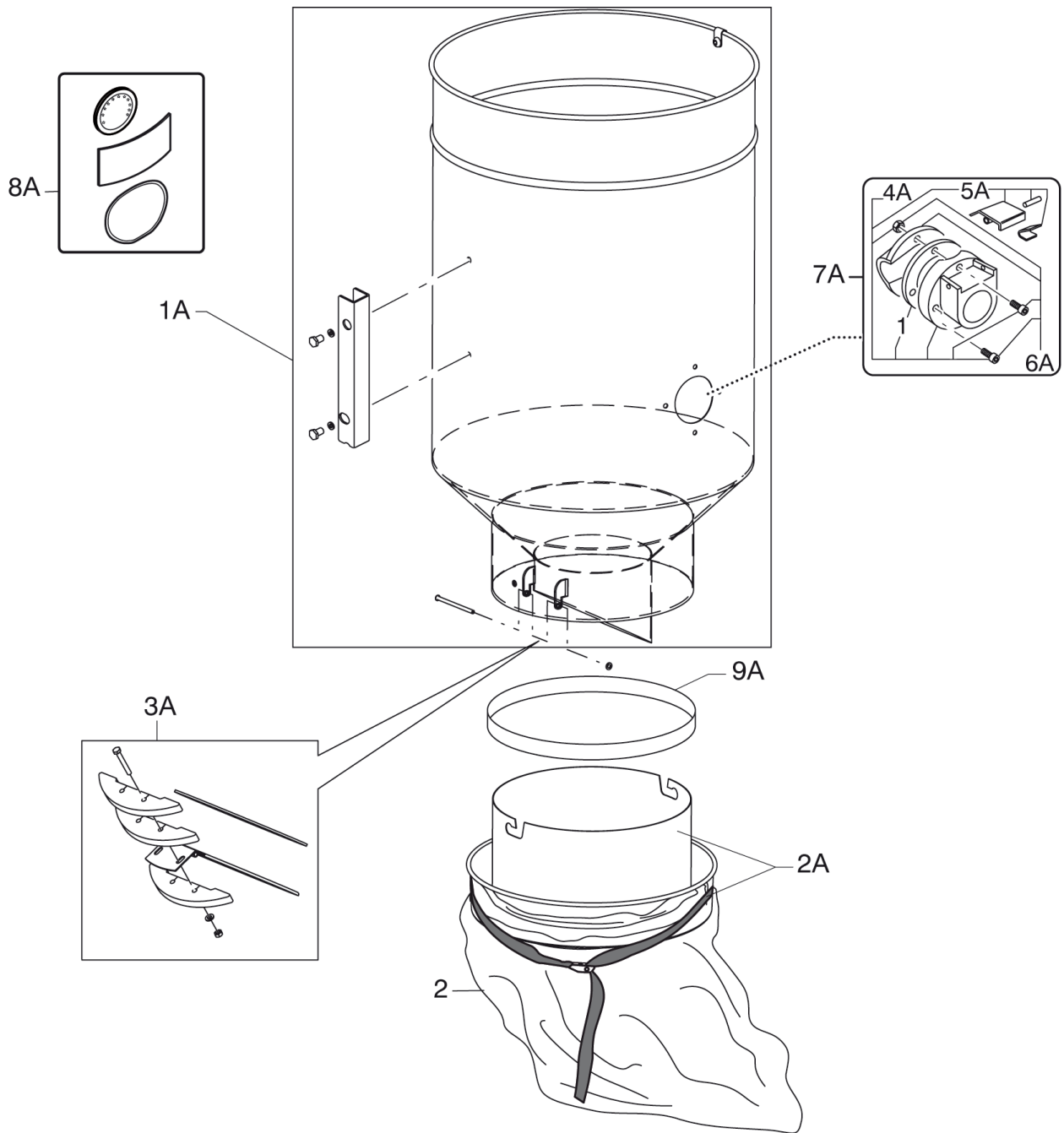
No.	Part No.	Qty.	Description	Part Note
1A	40000870	1	PROTECTION KIT	
2A	40000855	1	HANDLE KIT	
3A	40000864	1	UPRIGHT PROTECTION KIT	
4A	40000893	1	COMPARTMENT KIT	
5A	40000892	1	SMALL BASKET OBJECT KIT WITH NUTS BOLTS	

---

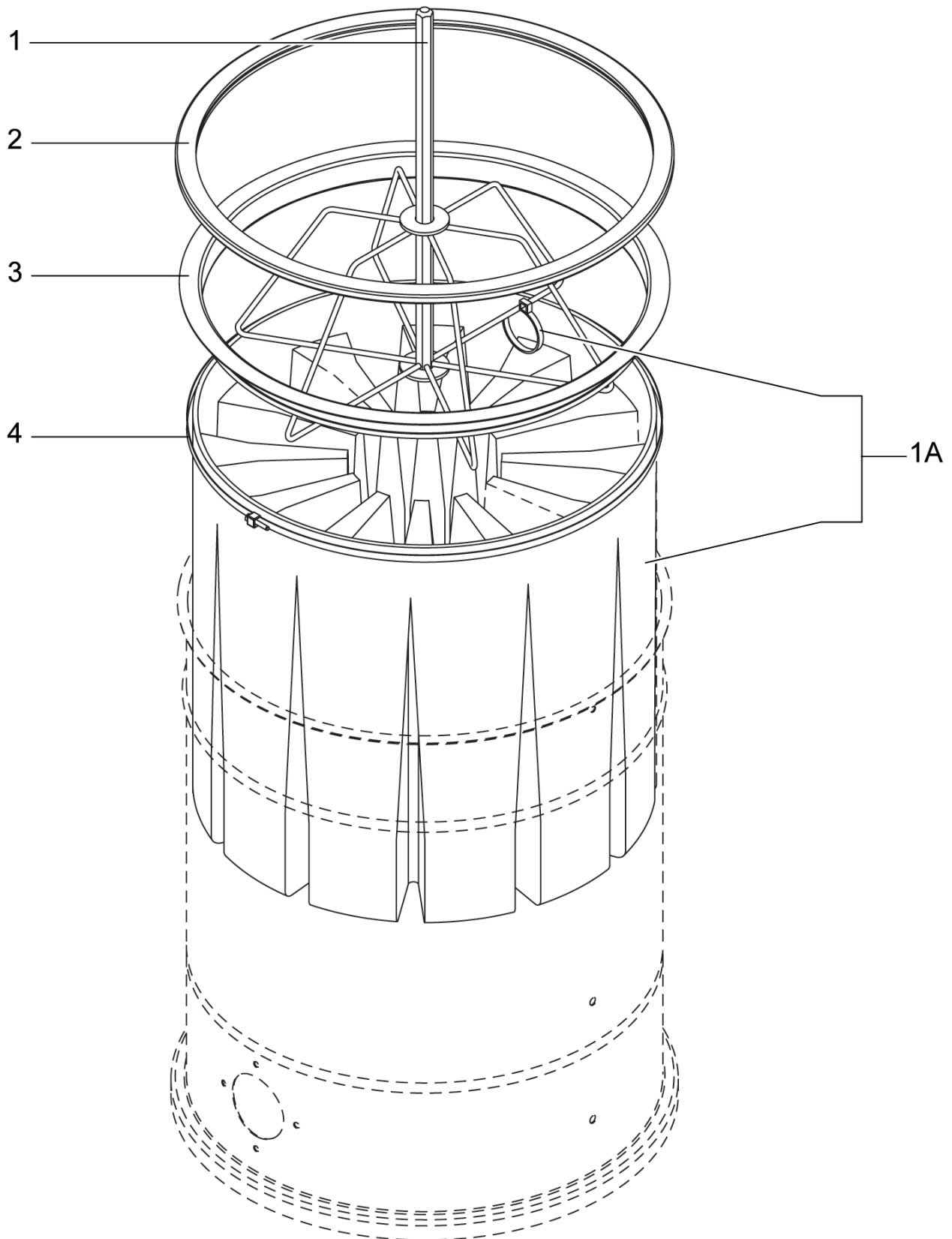


No.	Part No.	Qty.	Description	Part Note
1	Z8 17006	1	INLET SEAL D70	
2	4081701540	1	SEAL 20 X 15 T140 CR MT1.5	
3	4083000493	1	BIN D460 L50 MODEL-S2-S3	
3	4083000509	1	BIN D460 L100 IN SS M.S3	
3	4083000495	1	BIN D460 L100 FOR MODEL S3	
4	Z8 17021	4	BUMPER WHEEL HOLDER	
1A	40000869	1	FILTER CHAMBER KIT	
1A	40000895	1	STAIN LESS FILTER CHAMBER KIT	
2A	40000418	1	KIT COMPLETE INLET D70 SS MOD. A17	
2A	40000868	1	D70 INLET FULL KIT	
3A	40000867	1	D70 INLET KIT	
4A	40000345	1	KIT PUSHBUTTON FOR INLET D70	
5A	40000416	1	KIT DEFLECTOR D70 INOX MOD.A17	
5A	40000395	1	KIT DEFLECTOR D70	
6A	40000484	1	KIT CASTORS FOR CONTAINER INOX	
6A	40000419	1	KIT CASTORS FOR CONTAINER	
7A	40000879	1	HANDLE KIT L100	
7A	40000866	1	HANDLE KIT L50	
8A	4083000497	1	COMP.BIN D460 L100 M.S3	
8A	4083000507	1	COMPLETE BIN D460 L50 SS S2-S3	
8A	4083000510	1	COMPLETE BIN D460 L100 SS S3	
8A	4083000496	1	COMP.BIN D460 L50 M.S2-S3	
9A	40000944	1	STICKER KIT	





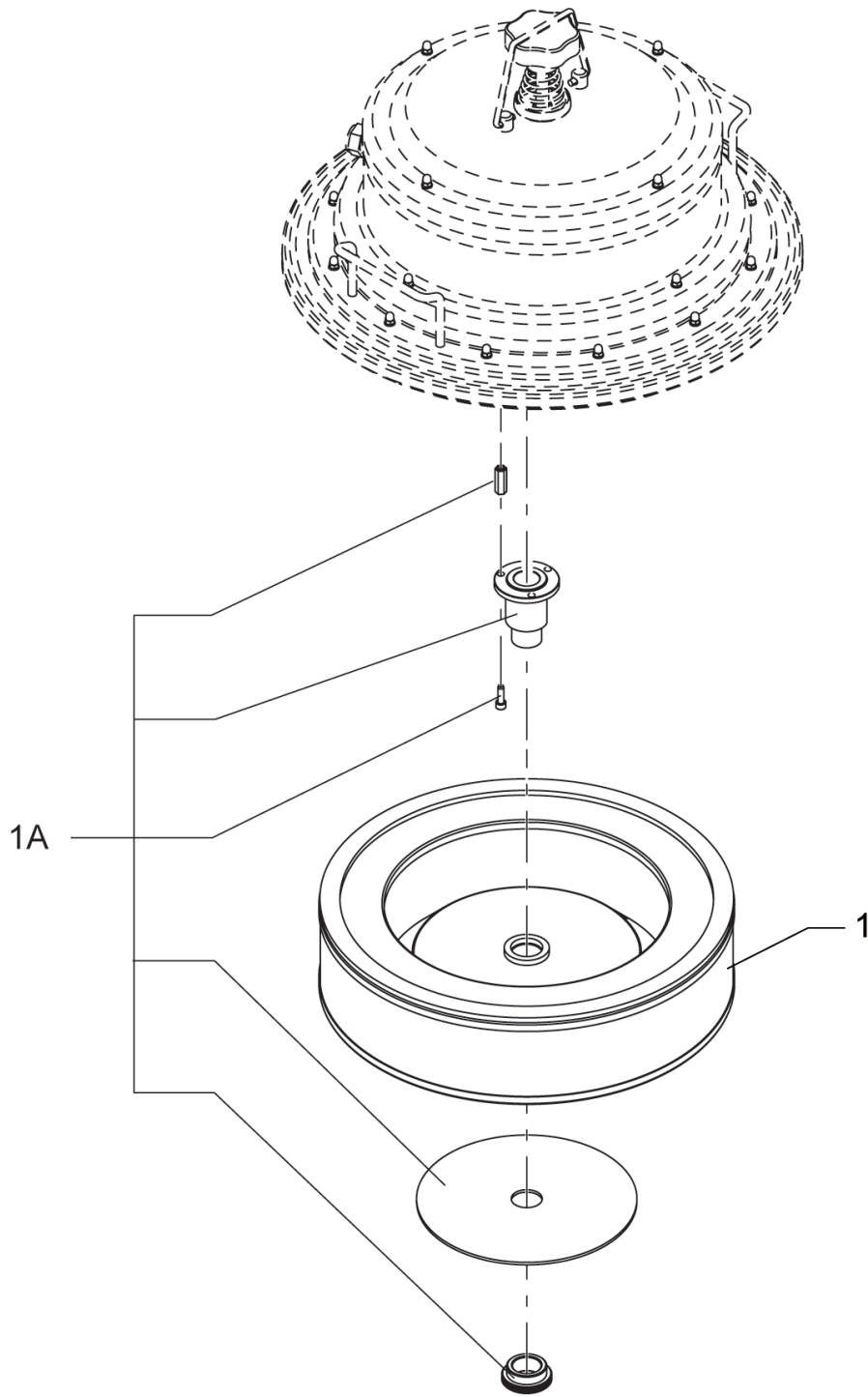
No.	Part No.	Qty.	Description	Part Note
1	Z8 17006	1	INLET SEAL D70	
2	4084000956	1	MINI PACKAGE 4X20 MT 68 MICRON LONGOPAC	
1A	4089101067	1	LP HOPPER KIT D460	
2A	4089100436	1	BAG HOLDER KIT	
3A	4089100437	1	CLAPET CLOSING KIT	
4A	40000867	1	D70 INLET KIT	
5A	40000345	1	KIT PUSHBUTTON FOR INLET D70	
6A	40000395	1	KIT DEFLECTOR D70	
7A	40000868	1	D70 INLET FULL KIT	
8A	40000985	1	STICKER KIT	
9A	4089100872	1	KIT ADHESIVE SEAL 25X3	



No.	Part No.	Qty.	Description	Part Note
1	Z8 33093	1	STAR CAGE D460 MOD.317	
2	Z8 17026	1	FILTER SEAL D460 BLACK	
2	Z8 17126	1	FILTER SEAL D460 SILIC.	
3	Z8 15003	1	FILTER HOLDER RING D460 FE	
3	Z8 15010	1	FILTER HOLDER RING D460 INOX	
4	Z8 18079	1	FILTER BLOCK TIE D460	
1A	40000492	1	STAR FILTER KIT D460 M CLASS	
1A	40000338	1	KIT STAR FILTER D460 L CLASS	
1A	40000898	1	STAR FILTER KIT D460 NOMEX	
1A	32400327	1	FILTER.PTFE D.460 KIT	[1]

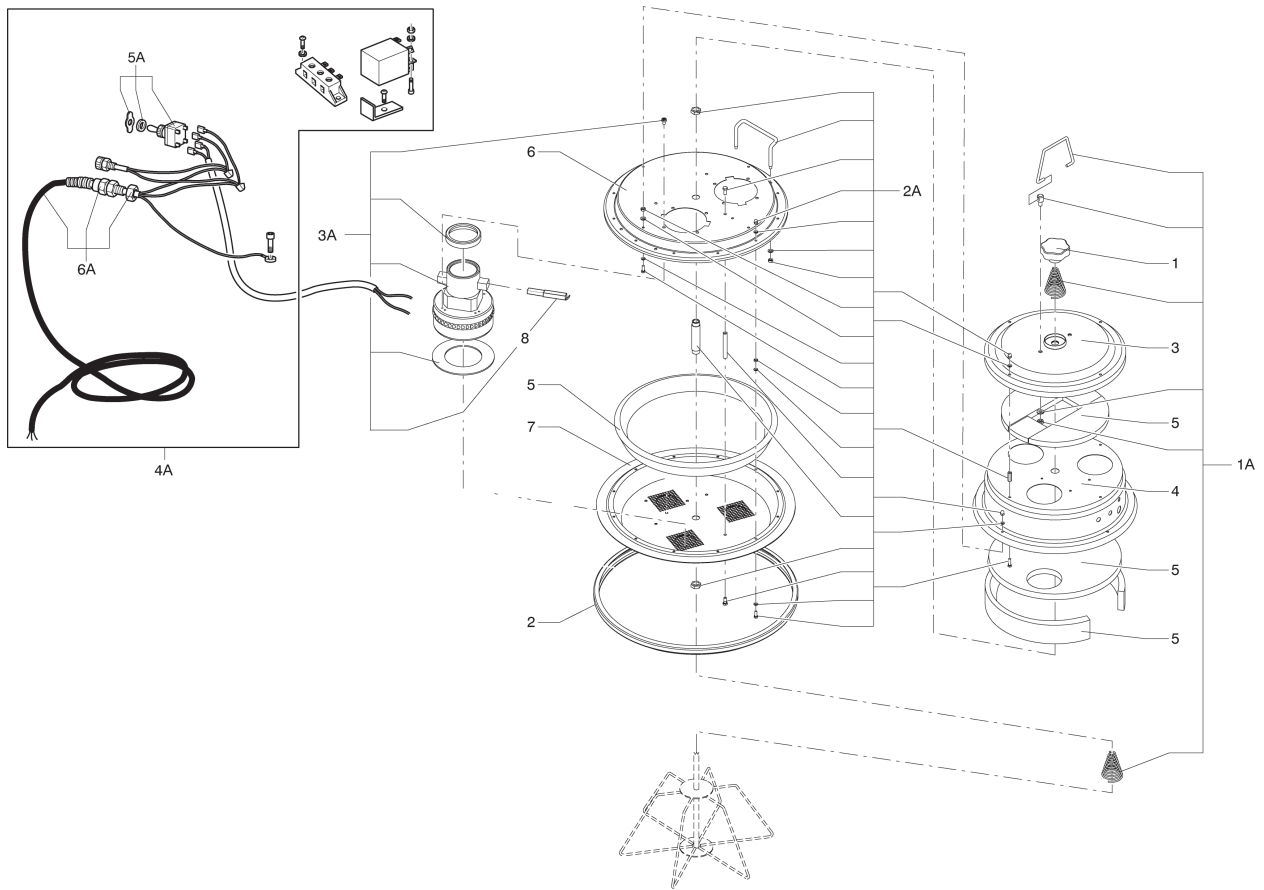
## Part Notes:

[1] - CONTACT PM IN ZOCCA



---

No.	Part No.	Qty.	Description	Part Note
1	Z8 17455	1	ABSOLUTE FILTER D410 X 80 H14 ROTATING	
1A	Z5 60357	1	ABSOLUTE FILTER KIT M.125/1216	

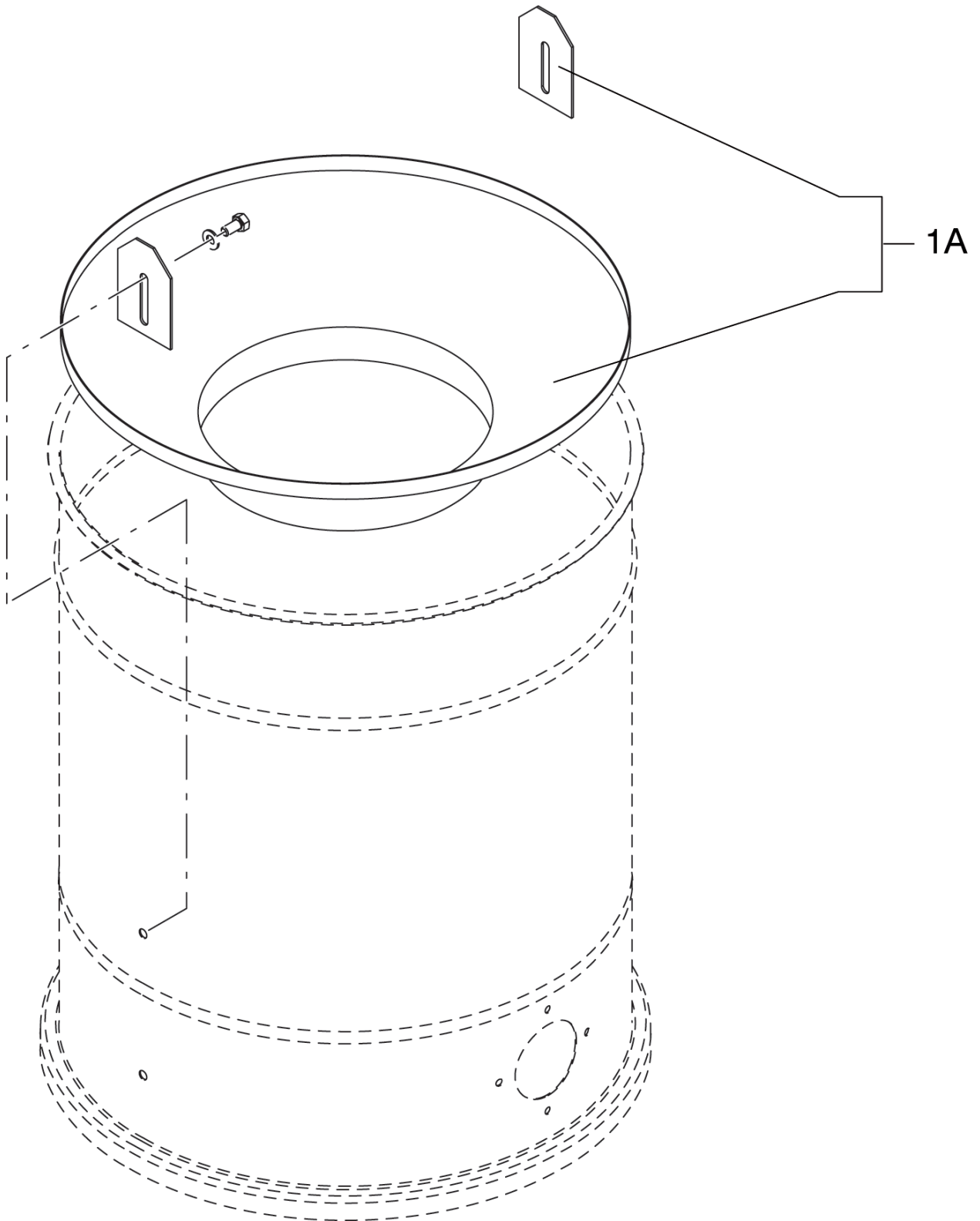


No.	Part No.	Qty.	Description	Part Note
1	Z8 40027	1	KNOB D70 M12 NO HOLE	
2	Z8 36191	1	BAND LOCK D.460	
3	4083500258	1	COVER 460 SC.M.S2/S3B R7016	
4	Z8 16067	1	HEADCOVER D460 3HOLES R7001	
5	Z8 17229	1	KIT SOUNDPROOF D460 M.317	
6	4081600598	1	FIX MOTOR FOR COVER D460 3F RAL7016	
7	4081600599	1	MOTOR COVER D460 3F M.S2/S3B RAL 7016	
8	40000885	1	MOTOR BRUSH KIT V230	
8	40000886	1	MOTOR BRUSH KIT V120	
1A	40000473	1	KIT FILTER-SHAKER	
2A	40000936	1	KIT HEADER ASSEMBLING	
3A	40000937	1	MOTOR KIT V230	
3A	40000938	1	MOTOR KIT V110 UK	
4A	40000941	1	ELECTRICAL KIT V230 3 MOTORS	
4A	40000939	1	ELECTRICAL KIT V110 UK 3 MOTORS	
5A	40000516	1	KIT SWITCH	
6A	40000909	1	CABLE KIT V230 EU	
6A	40000923	1	S3B CABLE KIT V110 UK	[1]

## Part Notes:

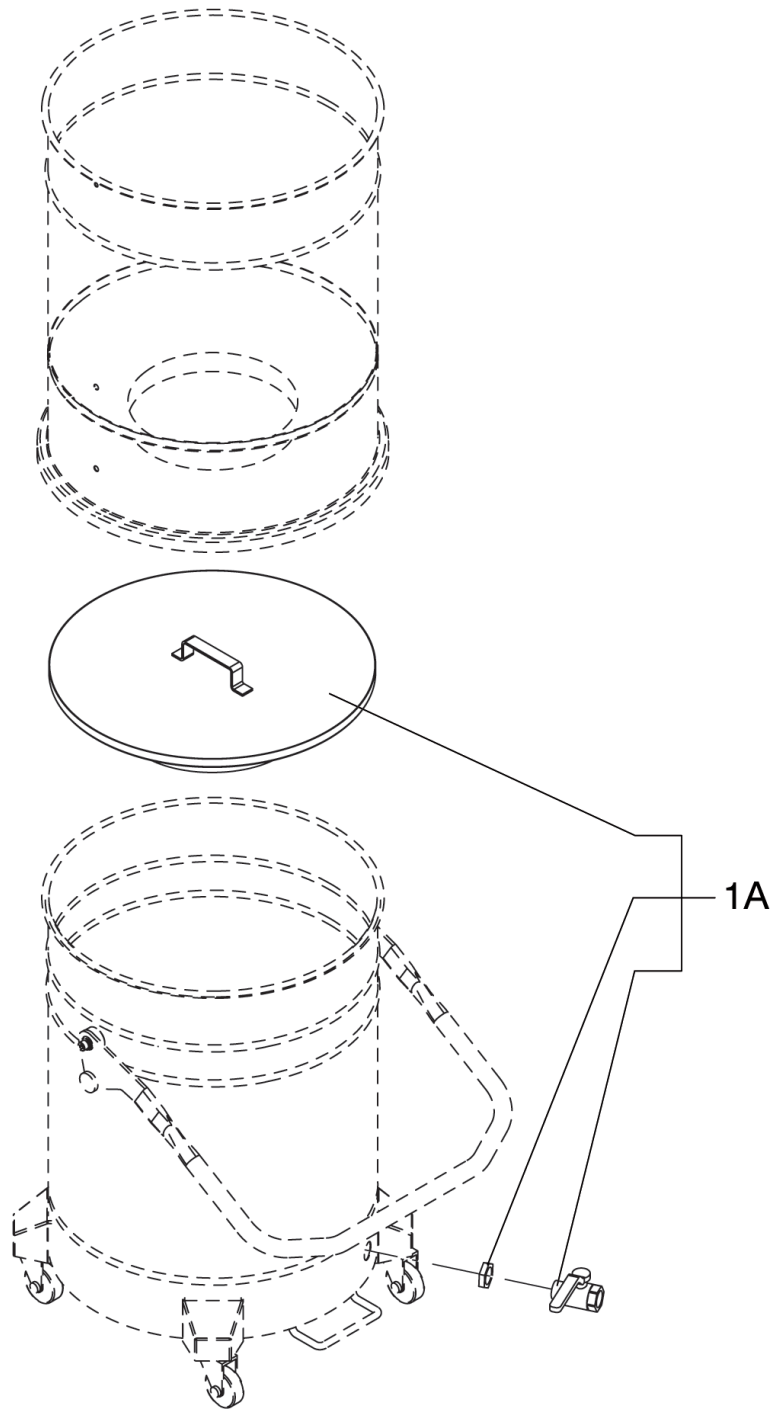
[1] - CONTACT PM IN ZOCCA





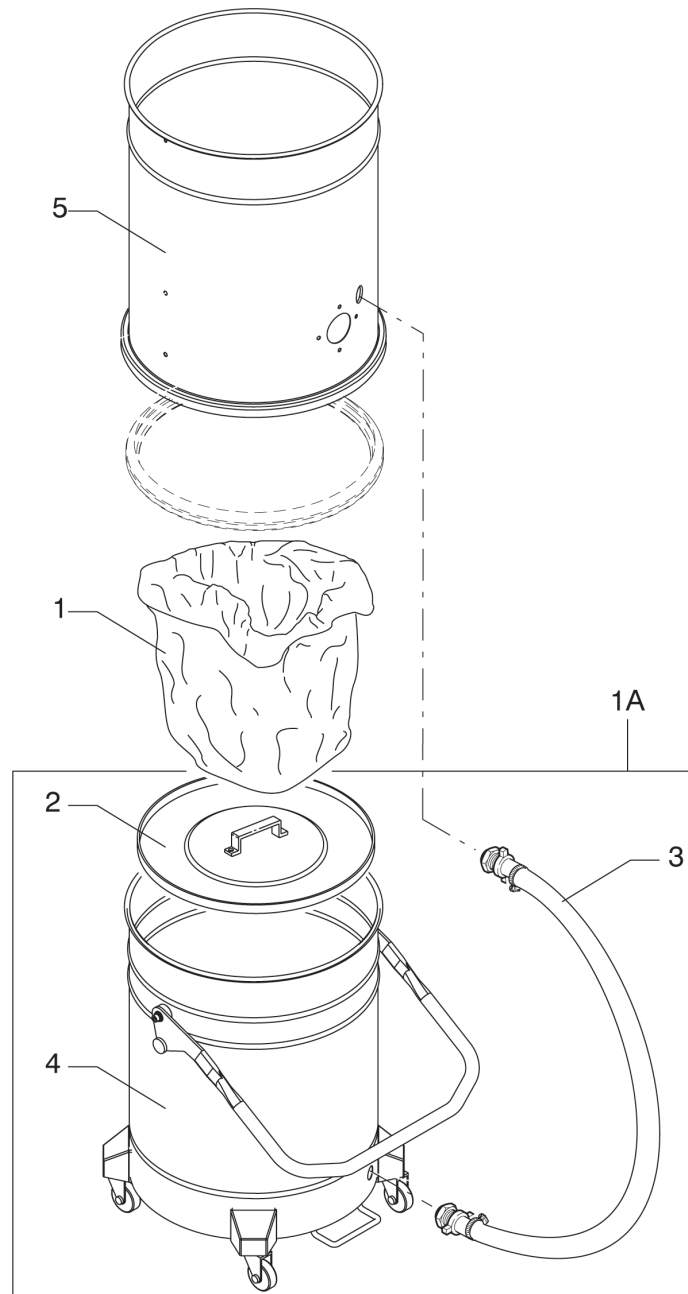
---

No.	Part No.	Qty.	Description	Part Note
1A	Z5 60109	1	CICLONE ESTRAIBILE D460 FE COMPLETO	



---

No.	Part No.	Qty.	Description	Part Note
1A	Z5 60034	1	GRID AND VALVE D460 FE COMPLETE	



No.	Part No.	Qty.	Description	Part Note
1	Z8 40100	1	BAG POLYETHYLENE LDPE 460/560	
2	Z8 31221	1	CONTAINER GRID D460 ZINC	[1]
3	Z5 60225	1	TUBE DEPRESSOR D.19 MOD.	[2]
4	4083000552	1	BIN D460 S3 L100 GRILL AND DEP	[1]
4	4083000561	1	CONTENIT.D460L50XM.S2-S3F.DEPR R7001	
5	4083101095	1	LATERALE 460X590 T22 FORO DEP. R7001	
1A	4056000535	1	KIT PLASTIC BAG L50 MOD.S2-S3	

## Part Notes:

- [1] - CONTACT PM IN ZOCCA
- [2] - ONLY USED FOR PRODUCTION

