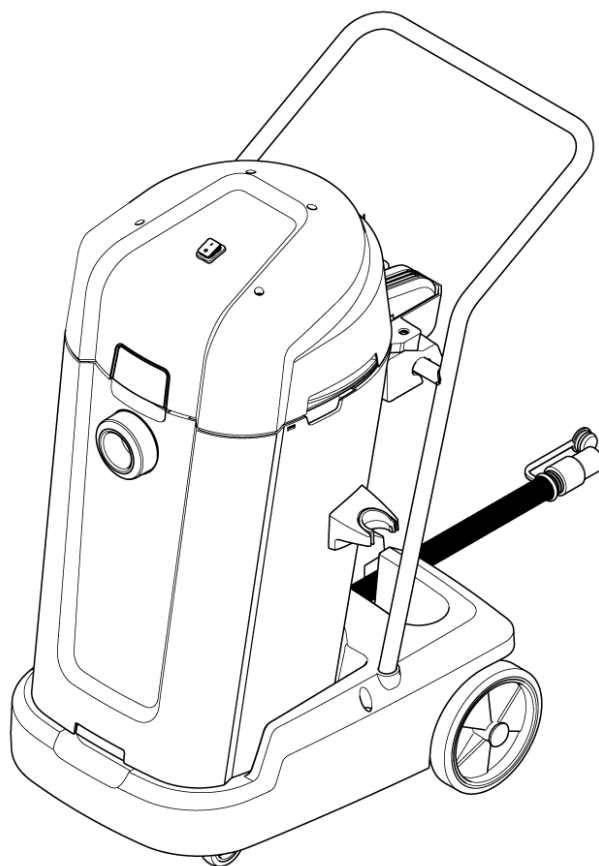


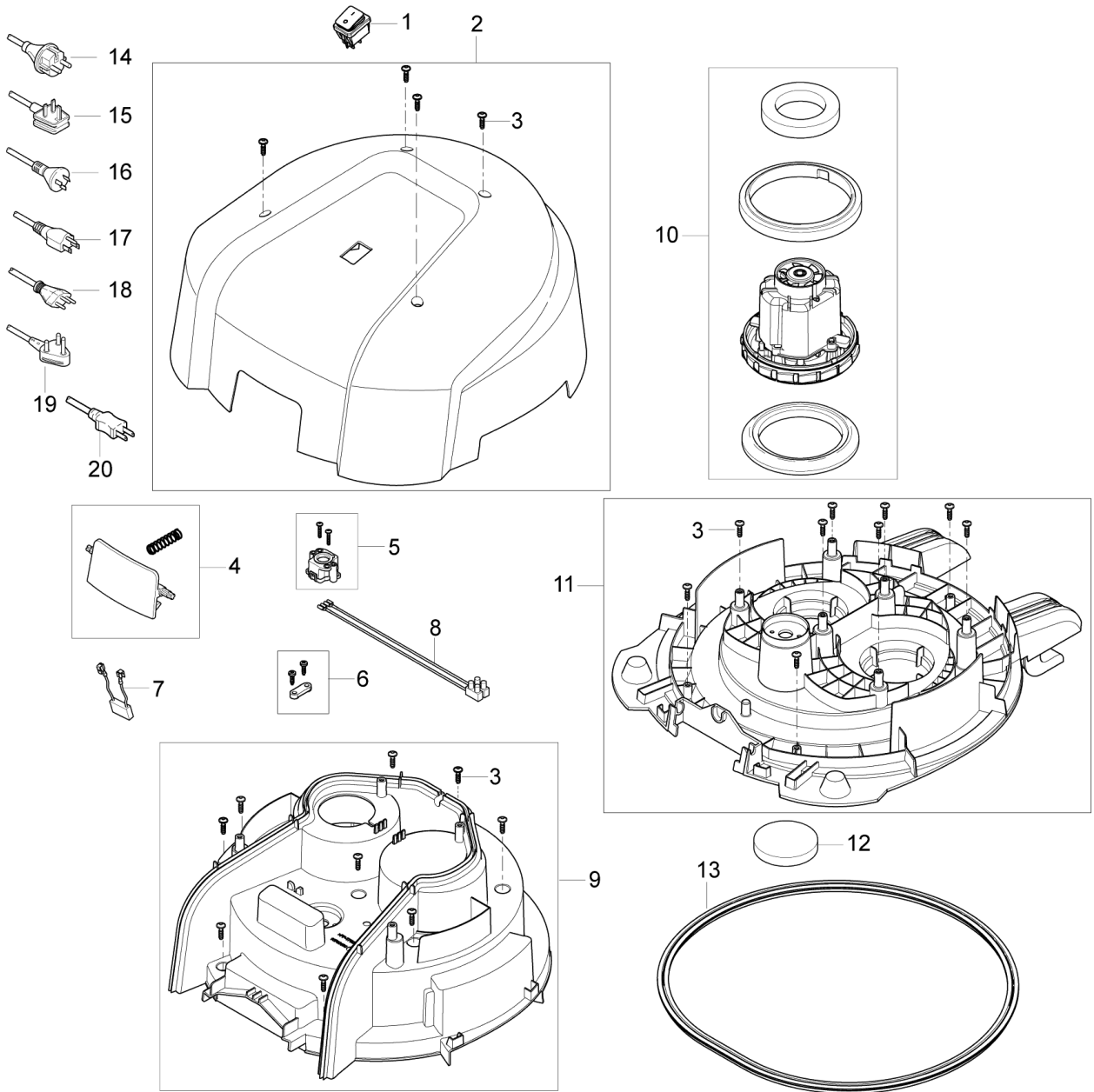
PARTS LIST



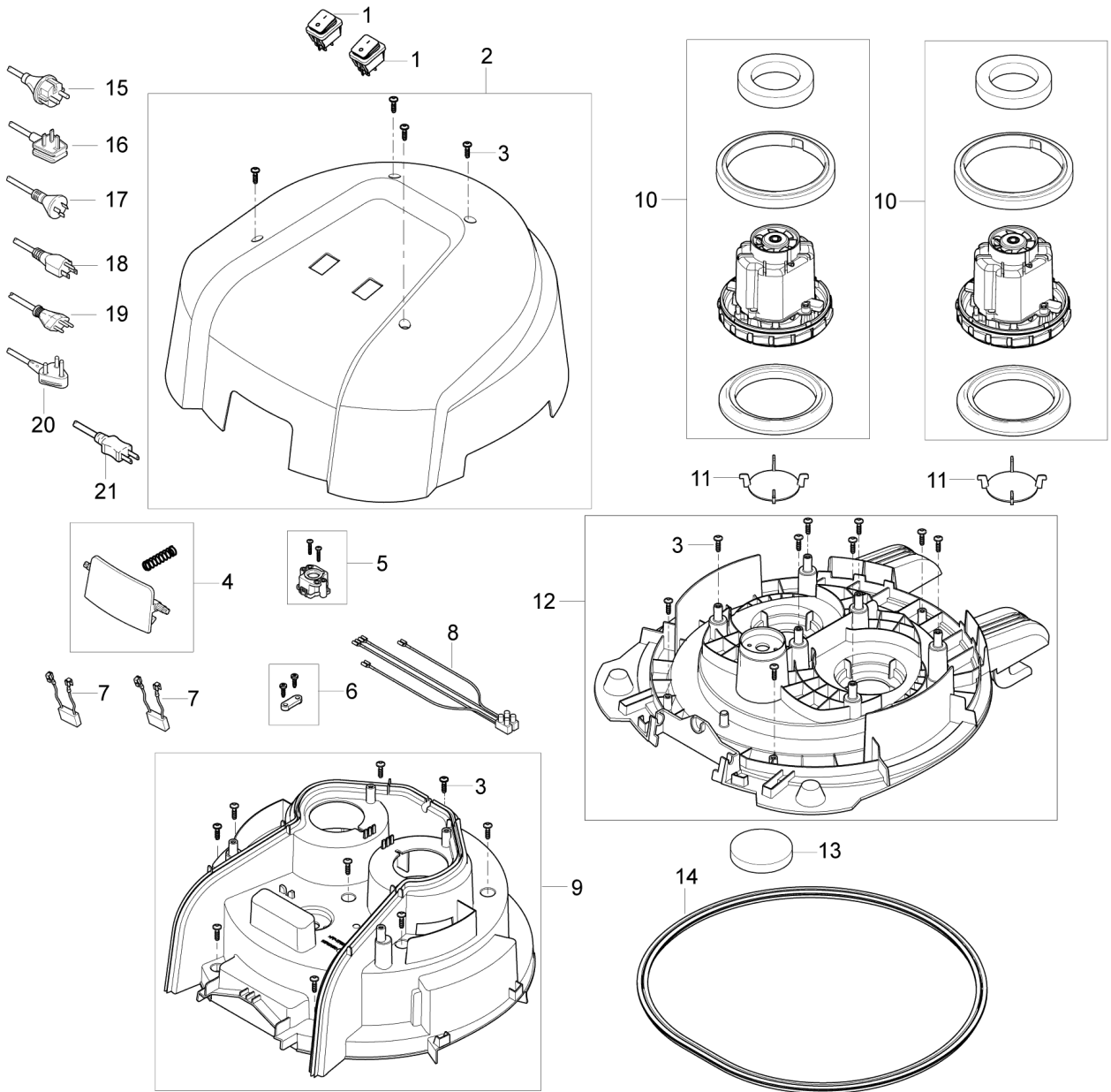
2020.08.07

TABLE OF CONTENTS

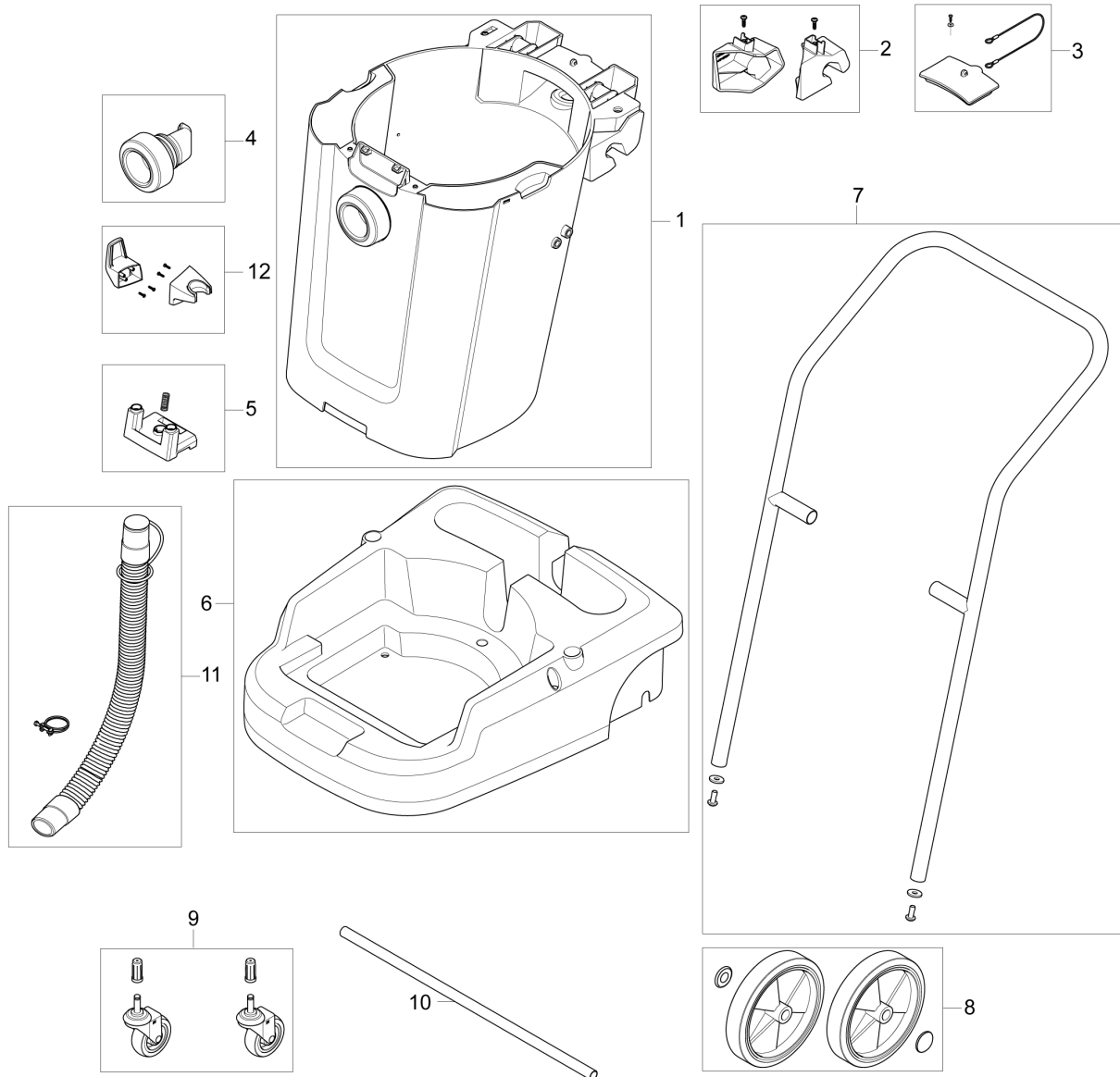
Top 55-1, 75-1	1
Top 55-2, 75-2	3
Container 55 BSF, BDF	5
Filter and bags 55, 75	7
Squeegee Accessory	9
Recommended Spare Parts	11
Accessories	13



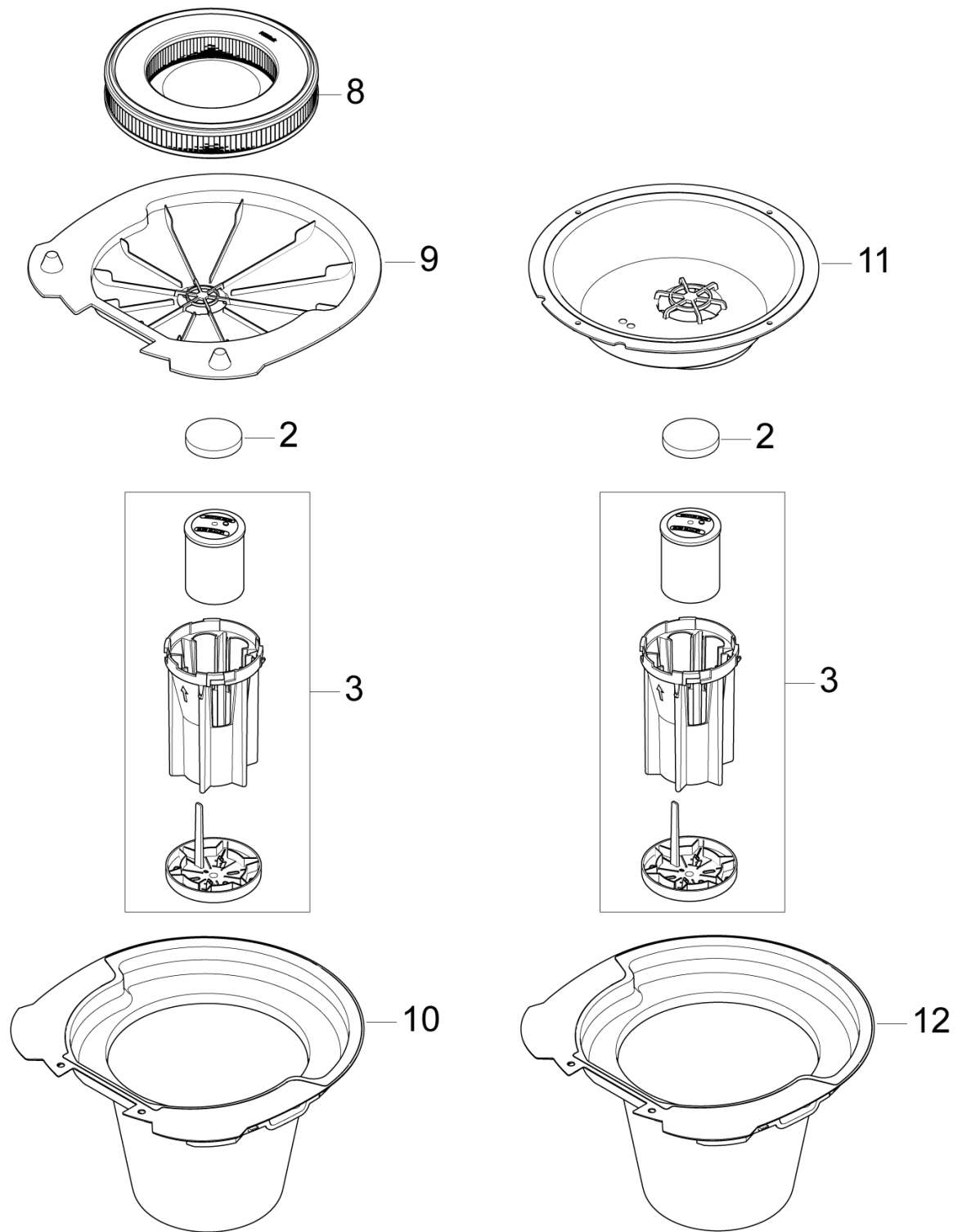
No.	Part No.	Qty.	Description	Part Note
0	107410812	1	PACKAGING VL500 75 ERGO - KIT	
0	107410811	1	PACKAGING VL500 55 ERGO - KIT	
1	140 9537 500	1	SWITCH TWO POLE KIT	
2	107407244	1	HOOD 75-55L 1 SWITCH MAXXI	
3	302004029	13	SCREW PT50X18	
4	107407236	1	CLAMP F. 75-55-35 L BIN MAXXI	
5	107407237	1	VACUUM VALVE CPL.	
6	140 6560 500	1	ANTI STRAIN CLIP	
7	48338	1	ANTI-INTERFERENCE CAPACITOR	
8	140 7042 500	1	WIRE INTERNAL FOR GWD 300	
9	107407246	1	CLAMPING PLATE 55-75-1 VMAXXI	
10	302003388	1	MOTOR KIT 1000W 120V	
10	302003384	1	MOTOR KIT 1200W 230V	
10	302004006	1	MOTOR 1200W/100V JP W.GASKET	
11	107407248	1	BASEPLATE 75-55L 1 MOTOR MAXXI	
12	140 8682 500	1	MOTOR FILTER	
13	107407249	1	GASKET F. BASEPLATE 75-55L	
14	12222501	1	CORD SET EU L 10M	
15	140 8262 020	1	CORD SET BLACK L=10000	
16	140 8262 010	1	CORD SET	
17	107401614	1	CORD SET US/TW 3C 15.5M YELLOW	
18	12222507	1	KIT FOR NETLEDNING 10M CH	
19	107407242	1	POWER CORD H05VV-F 2X1.00 SABS 164-1 16A	
20	140 6702 500	1	CORD SET JP 15.5M	



No.	Part No.	Qty.	Description	Part Note
0	107410812	1	PACKAGING VL500 75 ERGO - KIT	
0	107410811	1	PACKAGING VL500 55 ERGO - KIT	
1	107404540	2	SWITCH 0-1 DOUBLE POLE SET	
2	107407251	1	HOOD 75-55 L 2 SWITCHES MAXXI	
3	302004029	13	SCREW PT50X18	
4	107407236	1	CLAMP F. 75-55-35 L BIN MAXXI	
5	107407237	1	VACUUM VALVE CPL.	
6	140 6560 500	1	ANTI STRAIN CLIP	
7	48338	1	ANTI-INTERFERENCE CAPACITOR	
8	140 7620 530	1	SUPPRESSOR EU/UK/AU/NZ	
9	107407253	1	CLAMPING PLATE 55-75-2 MAXXI	
10	302003384	1	MOTOR KIT 1200W 230V	
10	302004006	1	MOTOR 1200W/100V JP W.GASKET	
11	140 9526 500	1	VALVE DISC GWD 350/375	
12	107407255	1	BASEPLATE 75-55L 2 MOTOR MAXXI	
13	140 8682 500	1	MOTOR FILTER	
14	107407249	1	GASKET F. BASEPLATE 75-55L	
15	12222501	1	CORD SET EU L 10M	
17	140 8262 010	1	CORD SET	
18	107401614	1	CORD SET US/TW 3C 15.5M YELLOW	
19	12222507	1	KIT FOR NETLEDNING 10M CH	
20	107407242	1	POWER CORD H05VV-F 2X1.00 SABS 164-1 16A	
21	140 6702 500	1	CORD SET JP 15.5M	



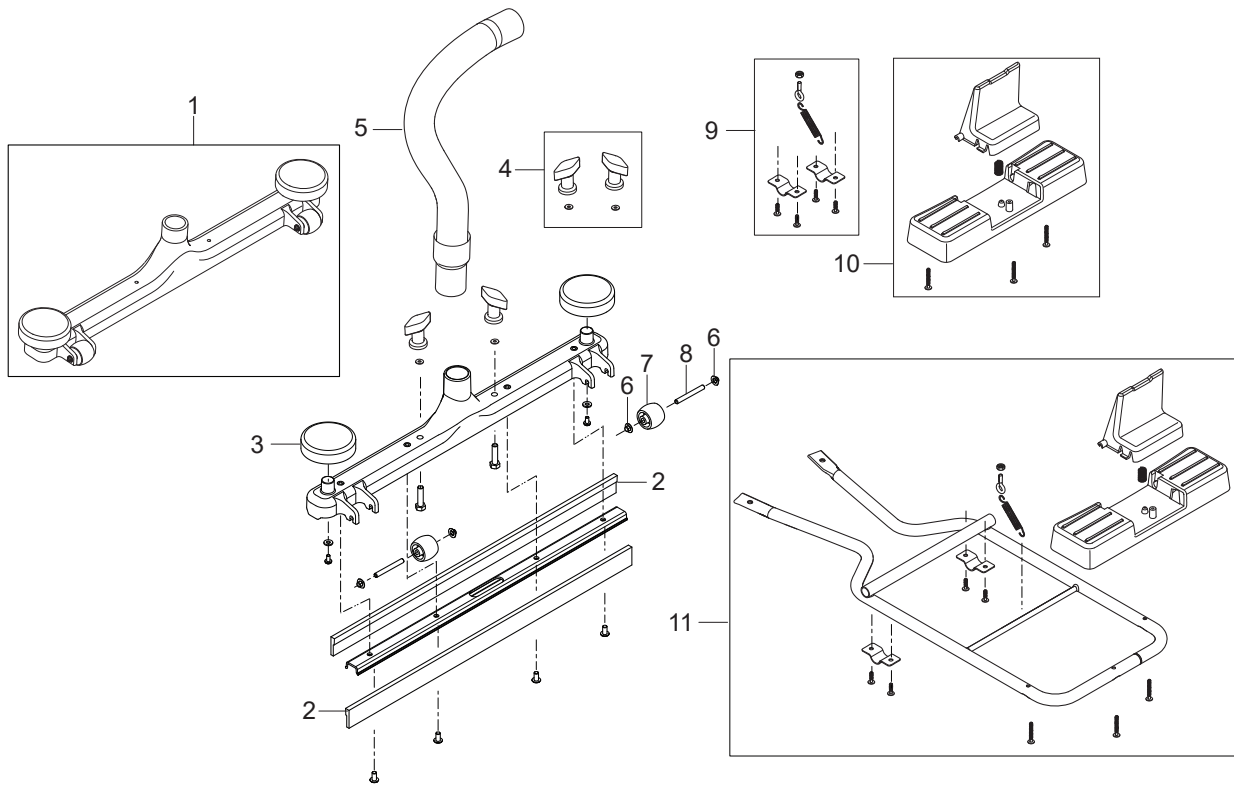
No.	Part No.	Qty.	Description	Part Note
1	107407261	1	CONTAINER 55L MAXXI	
2	107407264	1	BRACKET LEFT-RIGHT F. 55L MAXXI	
3	107407266	1	SPOUT CAP	
4	107407259	1	INLET ROUND MAXXI	
5	107407268	1	PUSH-BUTTON F. EASY-TILT 55L MAXXI	
6	107407270	1	FRAME F. BASIC TROLLEY MAXXI	
7	107407271	1	HANDLE F. BASIC TROLLEY VL500	
8	140 9543 500	1	REAR WHEEL	
9	140 5476 500	1	WHEEL LINK TROLLEY 2-P	
10	107407272	1	AXLE FOR WHEEL	
11	107407273	1	DRAINHOSE F. 55L BIN	
12	107408912	1	CABLE HOOK AND TUBE HOLDER MAXXI	



No.	Part No.	Qty.	Description	Part Note
2	140 8682 500	1	MOTOR FILTER	
3	140 8680 500	1	FLOAT BASKET	
8	107407300	1	CARTRIDGE FILTER	[1]
8	107409007	1	HEPA CARTRIDGE FILTER	[2]
9	107407301	1	DRYFILTER BOX	[1]
10	107407302	1	WET FILTER	[1]
11	107407303	1	FLOATER ADAPTER 55-75L	[3]
12	107407304	1	SACK FILTER	[3]

Part Notes:

- [1] - BDF, EDF
- [2] - Option
- [3] - BSF



No.	Part No.	Qty.	Description	Part Note
0	107407050	1	SQUEEGEE COMPLETE BLACK	
1	56209088	1	SQUEEGEE ASSEMBLY 24	
2	56105533	2	BLADE BLUE FOR 24 E00601	
3	56209157	2	BUMPER, SIDE ROLLER	
4	140 7947 500	1	NUT THUMB 5/16	
5	107408917	1	HOSE FOR SQUEEGEE	
6	56009132	4	NUT PUSH CAP 1/4	
7	56329554	2	ROLLER	
8	56209150	2	AXLE ROLLER	
9	107408918	1	MOUNTING KIT FOR SQUEEGEE	
10	107408915	1	PEDAL FOR SQUEEGEE BLACK	
11	107411346	1	FRAMEKIT FOR SQUEEGEE NOZZLE JET BLACK	

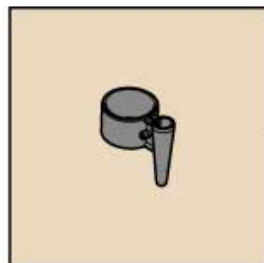
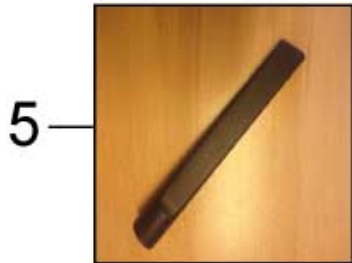
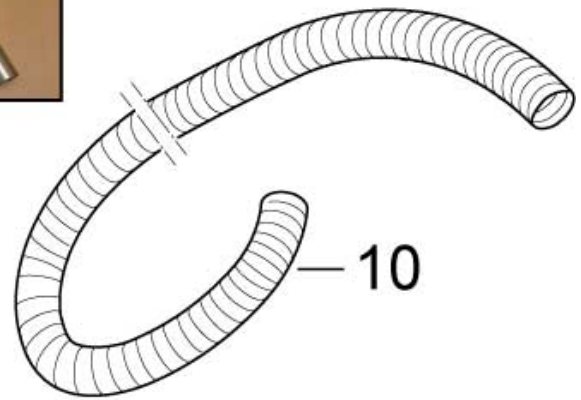
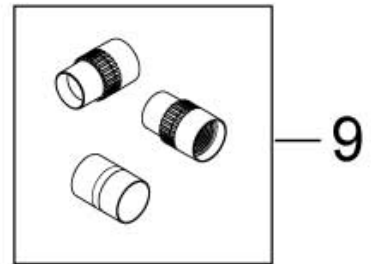
Recommended Spare Parts

MAXXI II - 55 - Nilfisk-ALTO

2017.11.02

2019.09.09

No.	Part No.	Qty.	Description	Part Note
	107407259	1	INLET ROUND MAXXI	
	107407273	1	DRAINHOSE F. 55L BIN	
	107407303	1	FLOATER ADAPTER 55-75L	
	140 8682 500	1	MOTOR FILTER	
	107404540	1	SWITCH 0-1 DOUBLE POLE SET	
	12222501	1	CORD SET EU L 10M	
	107407301	1	DRYFILTER BOX	
	140 8446 600	1	WHEEL REAR 2 PCS	
	140 9537 500	1	SWITCH TWO POLE KIT	
	107407237	1	VACUUM VALVE CPL.	
	107407236	1	CLAMP F. 75-55-35 L BIN MAXXI	
	302003388	1	MOTOR KIT 1000W 120V	
	107407302	1	WET FILTER	
	48338	1	ANTI-INTERFERENCE CAPACITOR	
	107407300	1	CARTRIDGE FILTER	
	140 5476 500	1	WHEEL LINK TROLLEY 2-P	
	107407304	1	SACK FILTER	
	140 8680 500	1	FLOAT BASKET	
	107407266	1	SPOUT CAP	
	107407249	1	GASKET F. BASEPLATE 75-55L	
	302003384	1	MOTOR KIT 1200W 230V	
	140 9526 500	1	VALVE DISC GWD 350/375	
00	107407268	1	PUSH-BUTTON F. EASY-TILT 55L MAXXI	



No.	Part No.	Qty.	Description	Part Note
1	302002892	1	FLEECE FILTER BAG PU 5 PCS	[1]
2	107407336	1	HOSE D40 2.5M CPL	
3	107407338	1	FLOOR NOZZLE D40 RUBBER STRIP	
3	107407339	1	FLOOR NOZZLE D40 BRUSH	
3	107416577	1	HARDFLOOR NOZZLE 400MM x Ø40MM - KIT	
4	107407337	2	EXTENSION TUBE D40 - SS	
5	107408850	1	CREVICE NOZZLE D40	
7	107408801	1	PUMP KIT - VL500 220/240V	[2]
8	107407335	1	TUBEHOLDER D40	
9	20001810	1	HOSE EXTENSION KIT Ø50	[3]
10	11984	1	HOSE UNIVERSAL Ø50 EVA PER METRE	[3]

Part Notes:

- [1] - 55 and 75
 [2] - NO LONGER AVAILABLE
 [3] - See 99900100 Instructions for hose extension kit

