

# PARTS LIST

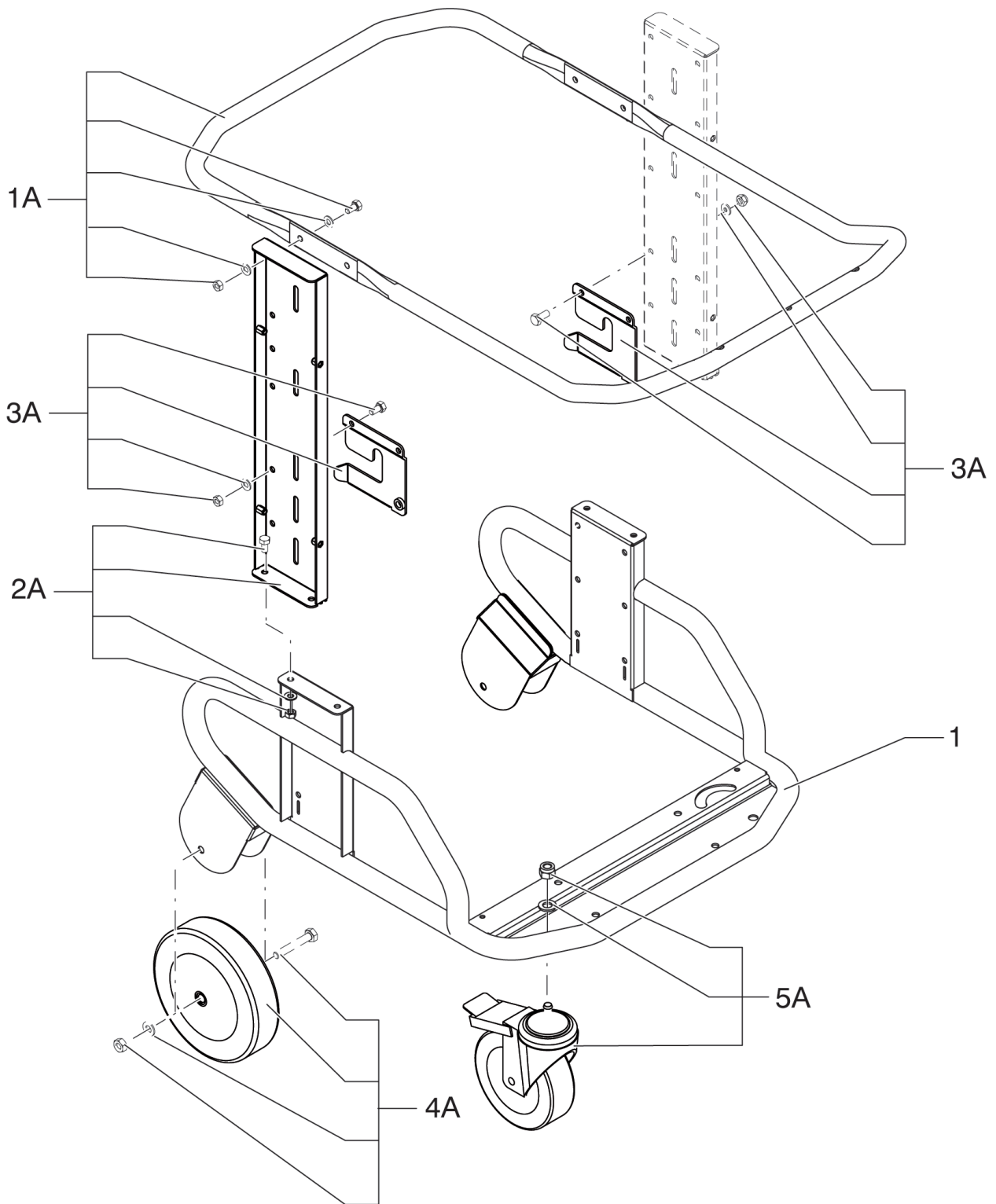


2022.10.09

# TABLE OF CONTENTS

---

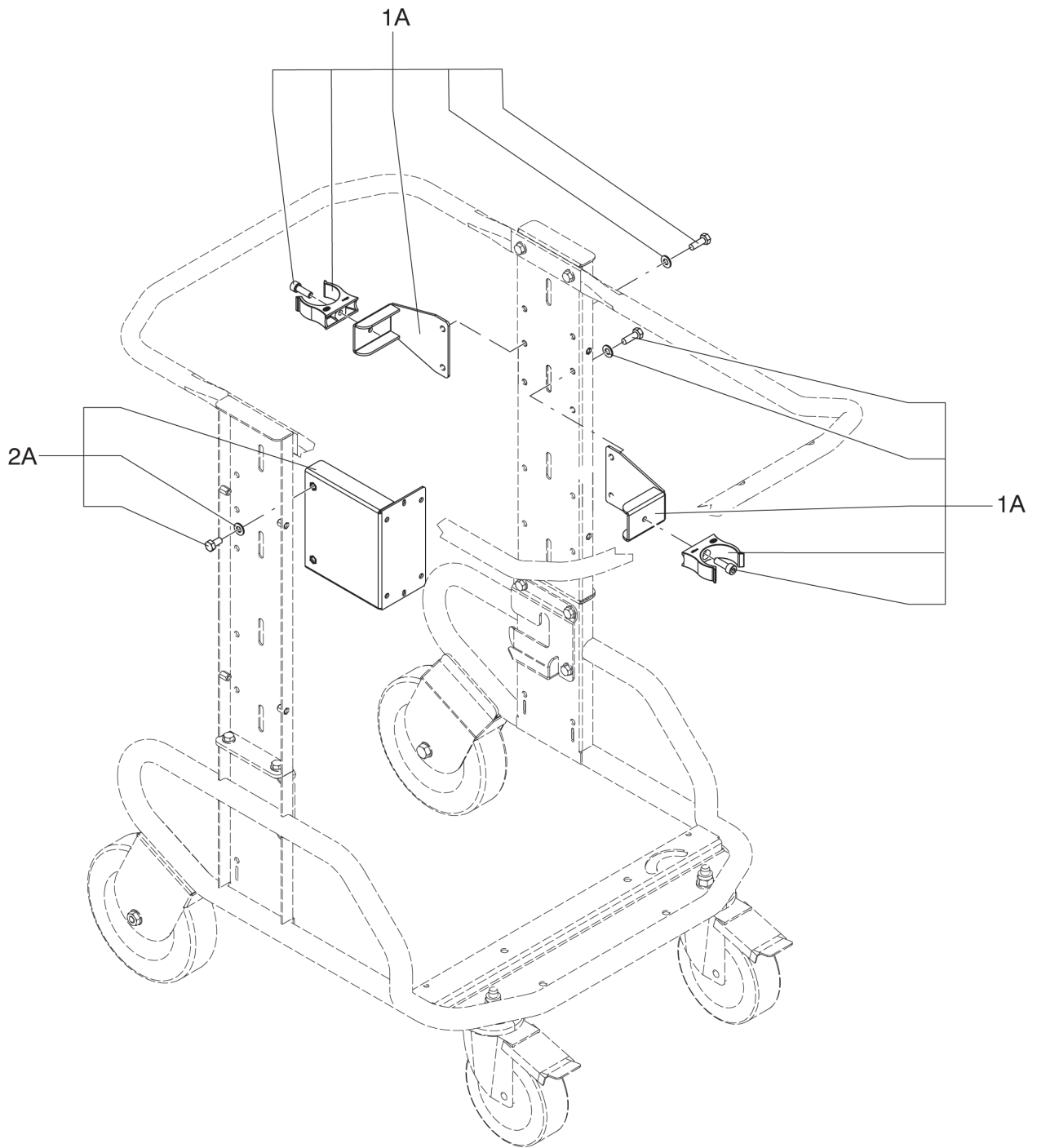
L136 - 01 - CAR.....	1
L136 - 02 - CAR.....	3
L136 - 03 - CAR.....	5
L136 - 04 - CONTAINER UNIT.....	7
L136 - 06 - SHAKER UNIT.....	9
L136 - 05 - CONTAINER UNIT.....	11
L136 - 07 - FILTER GROUP.....	13
L136 - 08 - SUCTION UNIT.....	15
L136 - 09 - SUCTION UNIT.....	17
L136 - 10 - CYCLON KIT.....	19
L136 - 11 - GRID GROUP.....	21
L136 - 12 - GRID AND DEPRESSOR.....	23



---

No.	Part No.	Qty.	Description	Part Note
1	4083600611	1	TROLLEY FOR MODEL S2-S3 R7016	
1A	40000857	1	HANDLE KIT	
2A	40000871	2	UPRIGHT KIT	
3A	40000872	1	BIN RELEASE KIT	
4A	40000873	1	WHEEL D200 KIT	
5A	40000874	2	KIT 2 REVOLV. CASTORS D150	

---

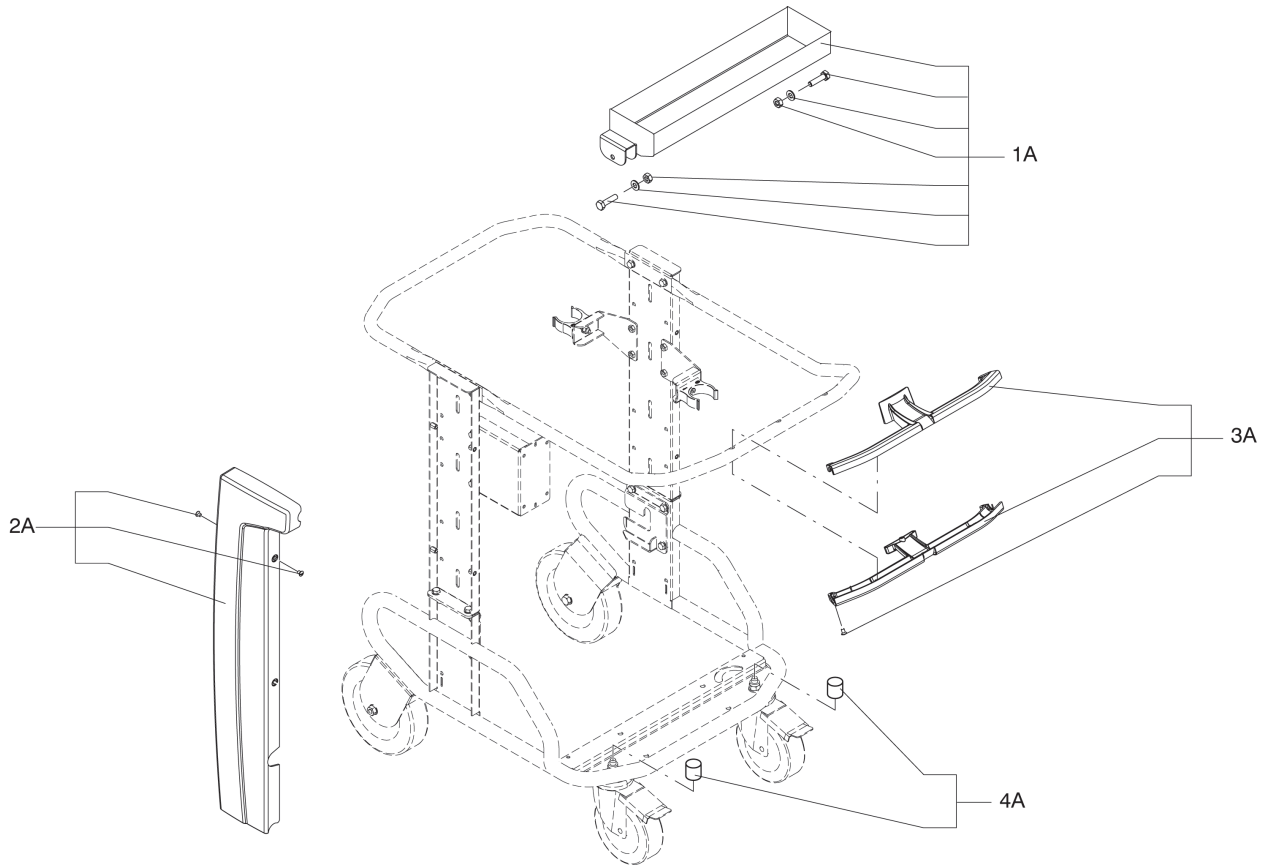


---

No.	Part No.	Qty.	Description	Part Note
1A	40000856	1	HOSE HOLDER KIT	
2A	40000863	1	CONTACT BREAKER BRACKET KIT	[1]

## Part Notes:

[1] - CONTACT PM IN ZOCCA



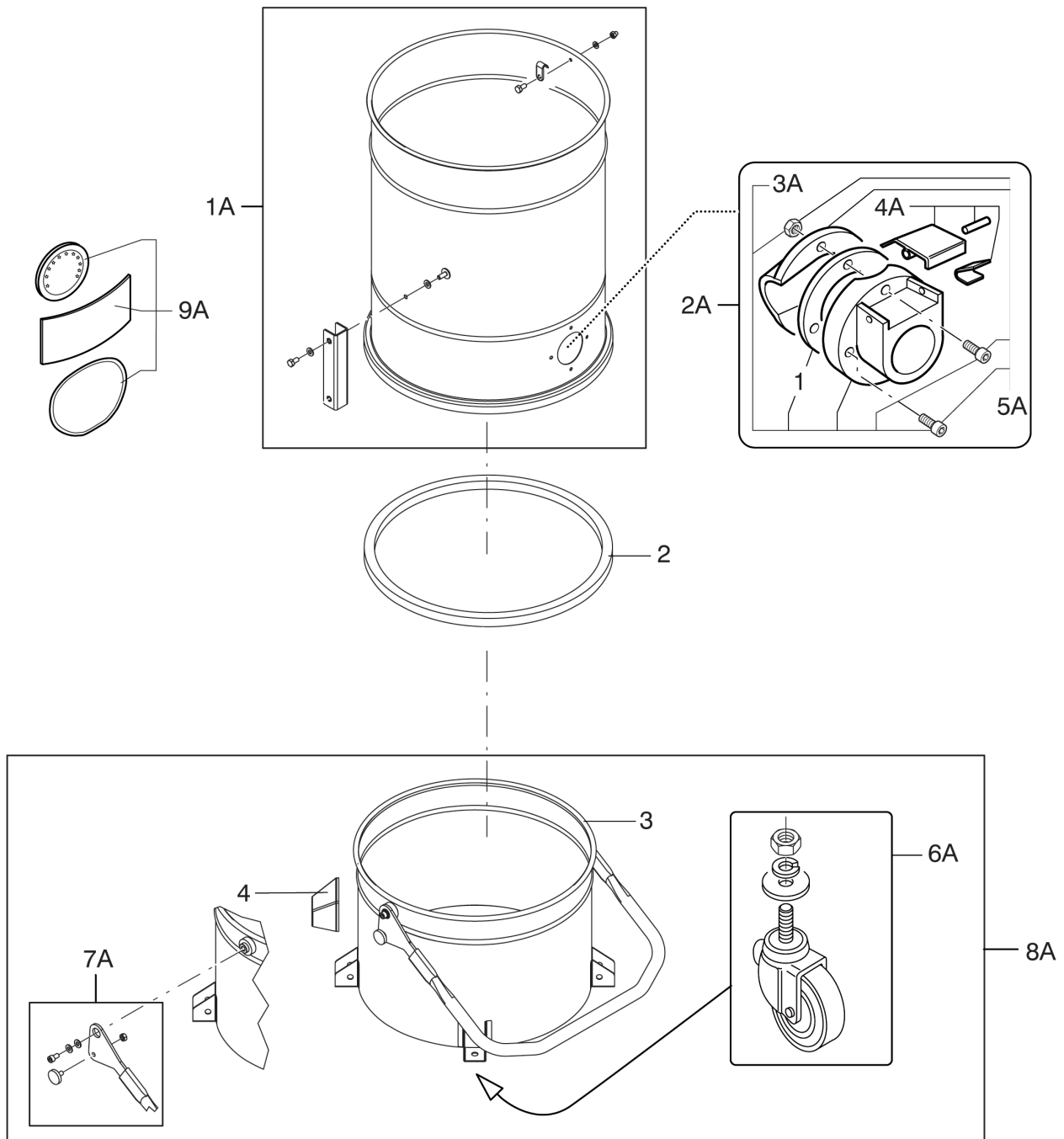
---

No.	Part No.	Qty.	Description	Part Note
1A	40000865	1	COMPARTMENT KIT	[1]
2A	40000864	1	UPRIGHT PROTECTION KIT	
3A	40000855	1	HANDLE KIT	
4A	40000870	1	PROTECTION KIT	

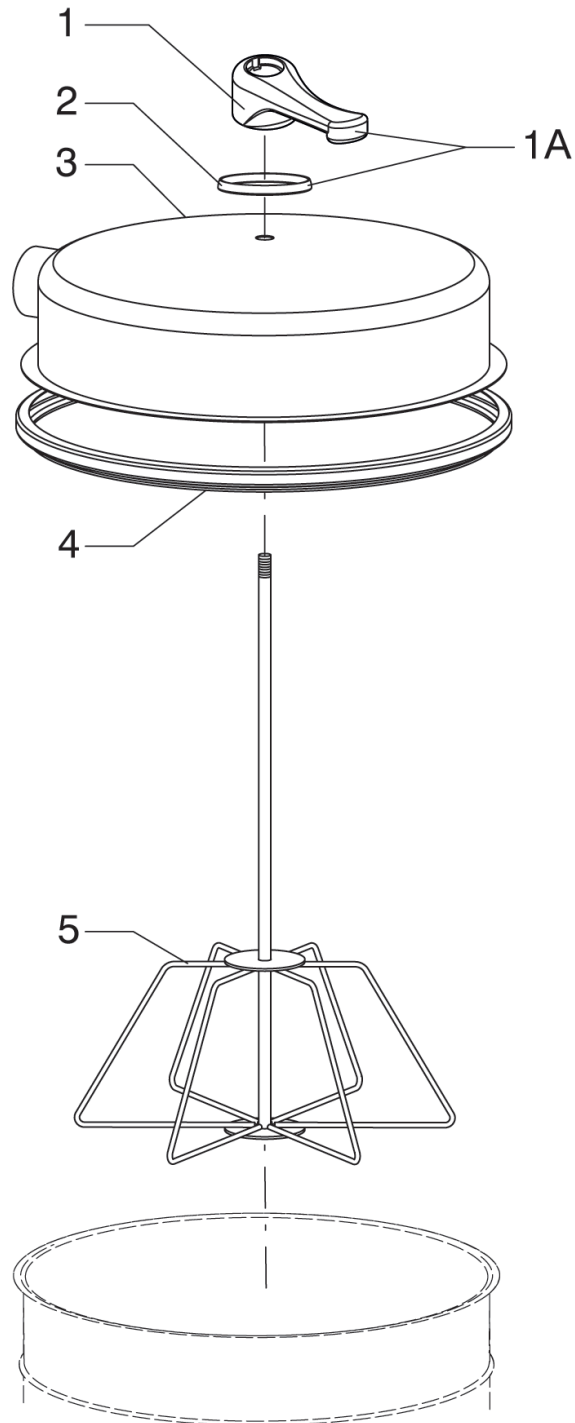
## Part Notes:

[1] - CONTACT PM IN ZOCCA





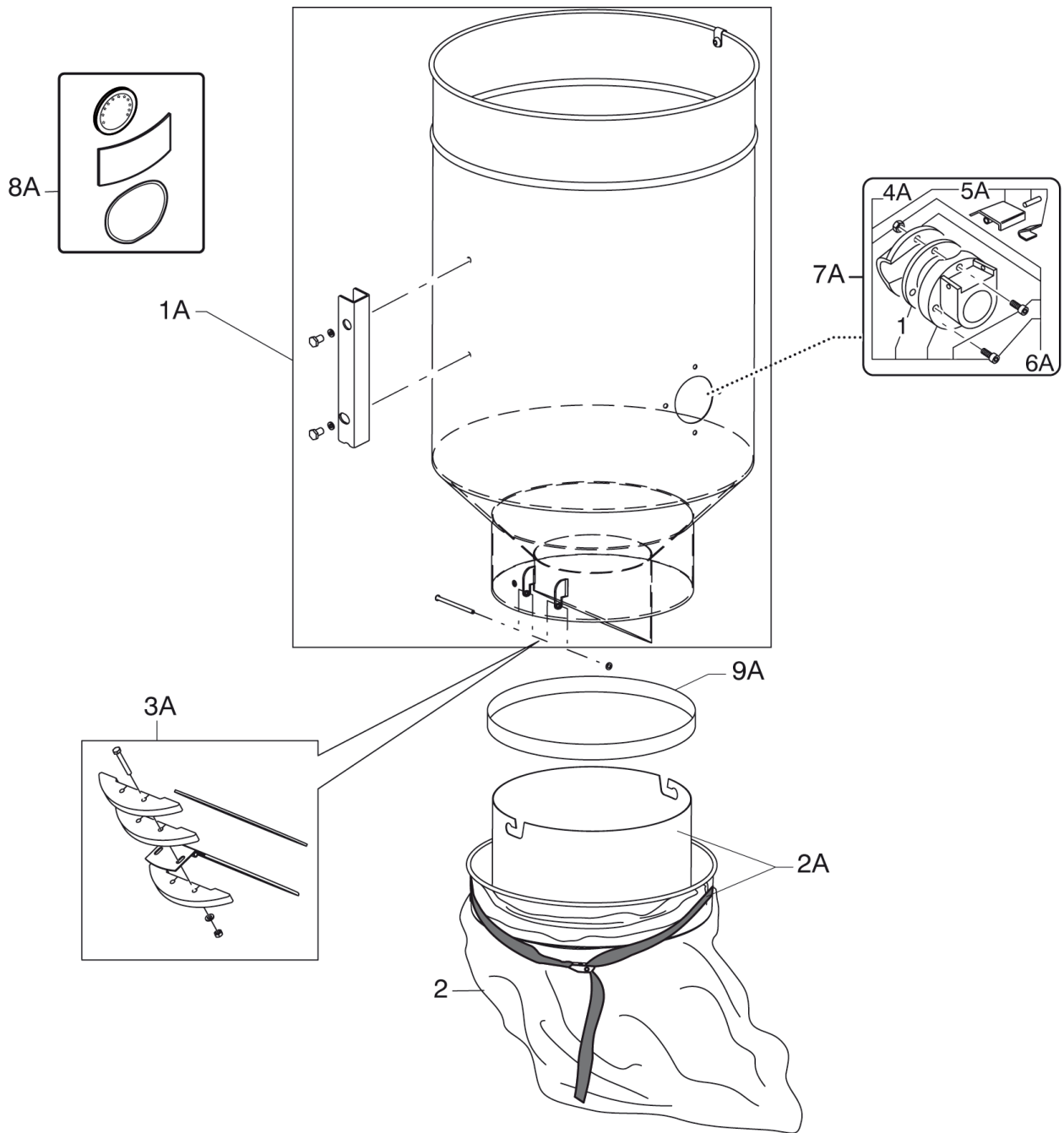
No.	Part No.	Qty.	Description	Part Note
1	Z8 17006	1	INLET SEAL D70	
2	4081701540	1	SEAL 20 X 15 T140 CR MT1.5	
3	4083000493	1	BIN D460 L50 MODEL-S2-S3	
3	4083000495	1	BIN D460 L100 FOR MODEL S3	
3	4083000509	1	BIN D460 L100 IN SS M.S3	
4	Z8 17021	1	BUMPER WHEEL HOLDER	
1A	40000869	1	FILTER CHAMBER KIT	
2A	40000868	1	D70 INLET FULL KIT	
3A	40000867	1	D70 INLET KIT	
4A	40000345	1	KIT PUSHBUTTON FOR INLET D70	
5A	40000395	1	KIT DEFLECTOR D70	
6A	40000419	1	KIT CASTORS FOR CONTAINER	
7A	40000866	1	HANDLE KIT L50	
7A	40000879	1	HANDLE KIT L100	
8A	4083000496	1	COMP.BIN D460 L50 M.S2-S3	
8A	4083000497	1	COMP.BIN D460 L100 M.S3	
8A	4083000510	1	COMPLETE BIN D460 L100 SS S3	
9A	40000878	1	STICKER KIT	



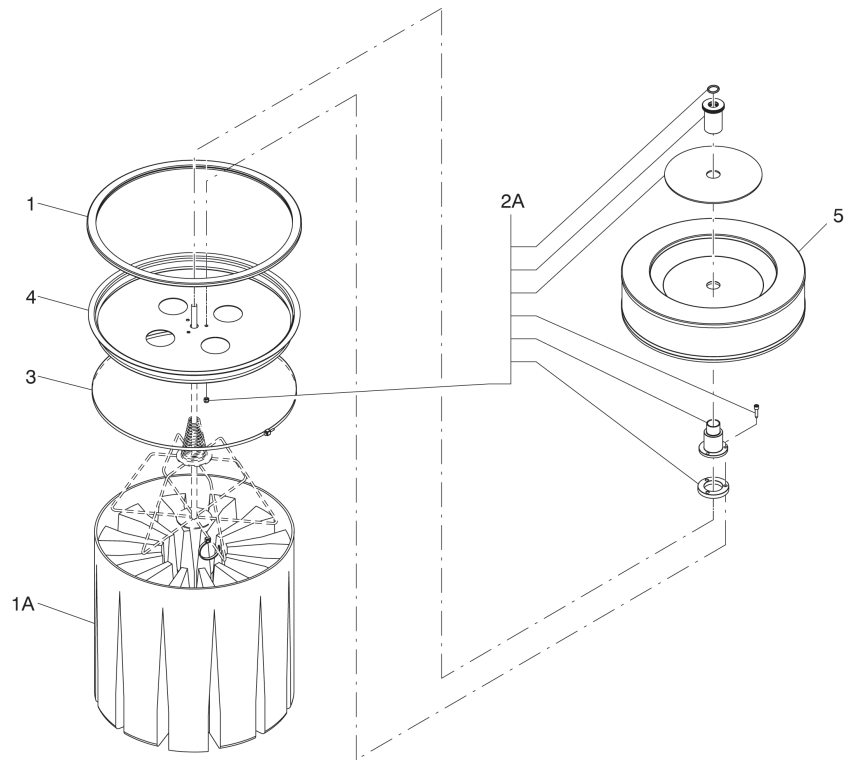
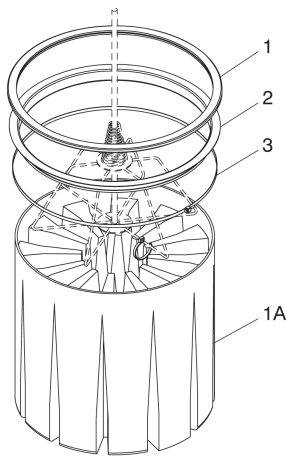
---

No.	Part No.	Qty.	Description	Part Note
1	4081400910	1	LEVER	
2	4081601280	1	SUPPORTO PER MANIGLIA SCUOTIFILTRO	
3	4083101749	1	CAPPELLO D460 T30S-MINUS	
4	Z8 36191	1	BAND LOCK D.460	
5	4083300476	1	ROTATIONAL FILTER SHAKER CAGE T30S-MINUSFILTER CAGE	
1A	4089101068	1	ROTATORY FILTER SHAKER LEVER KIT T30S	

---

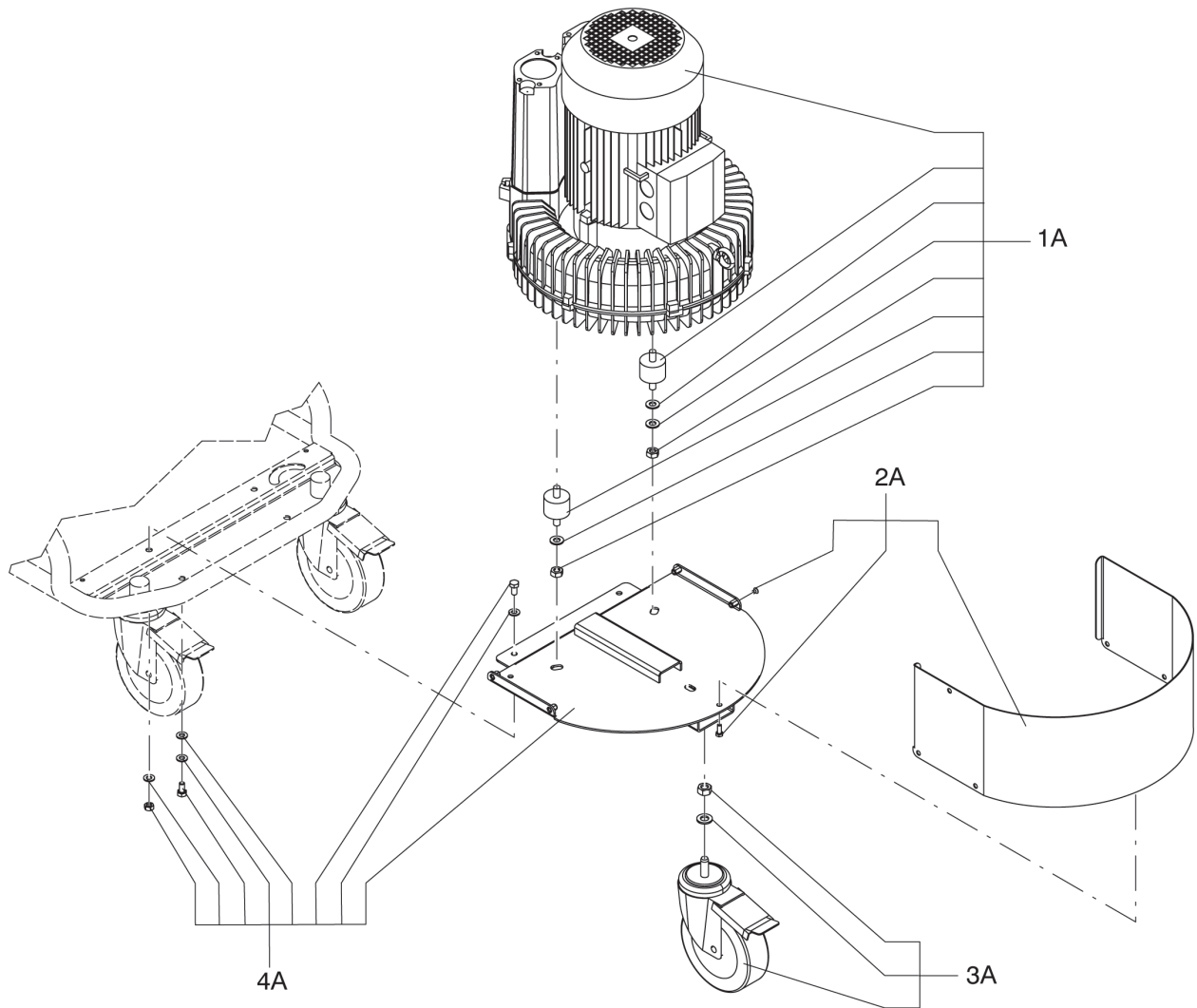


No.	Part No.	Qty.	Description	Part Note
1	Z8 17006	1	INLET SEAL D70	
2	4084000956	1	MINI PACKAGE 4X20 MT 68 MICRON LONGOPAC	
1A	4089101067	1	LP HOPPER KIT D460	
2A	4089100436	1	BAG HOLDER KIT	
3A	4089100437	1	CLAPET CLOSING KIT	
4A	40000867	1	D70 INLET KIT	
5A	40000345	1	KIT PUSHBUTTON FOR INLET D70	
6A	40000395	1	KIT DEFLECTOR D70	
7A	40000868	1	D70 INLET FULL KIT	
8A	40000878	1	STICKER KIT	
9A	4089100872	1	KIT ADHESIVE SEAL 25X3	



No.	Part No.	Qty.	Description	Part Note
1	Z8 15003	1	FILTER HOLDER RING D460 FE	
2	Z8 17026	1	FILTER SEAL D460 BLACK	
3	Z8 18079	1	FILTER BLOCK TIE D460	
4	4081500200	1	ABSOLUTE FILTER DISC 3306 FE	
5	4081700935	1	ABSOLUTE FILTER 415X100 S2S-S3	
1A	40000338	1	KIT STAR FILTER D460 L CLASS	
1A	40000492	1	STAR FILTER KIT D460 M CLASS	
1A	40000898	1	STAR FILTER KIT D460 NOMEX	
2A	40000967	1	ABSOLUTE FILTER SUPPORT KIT	

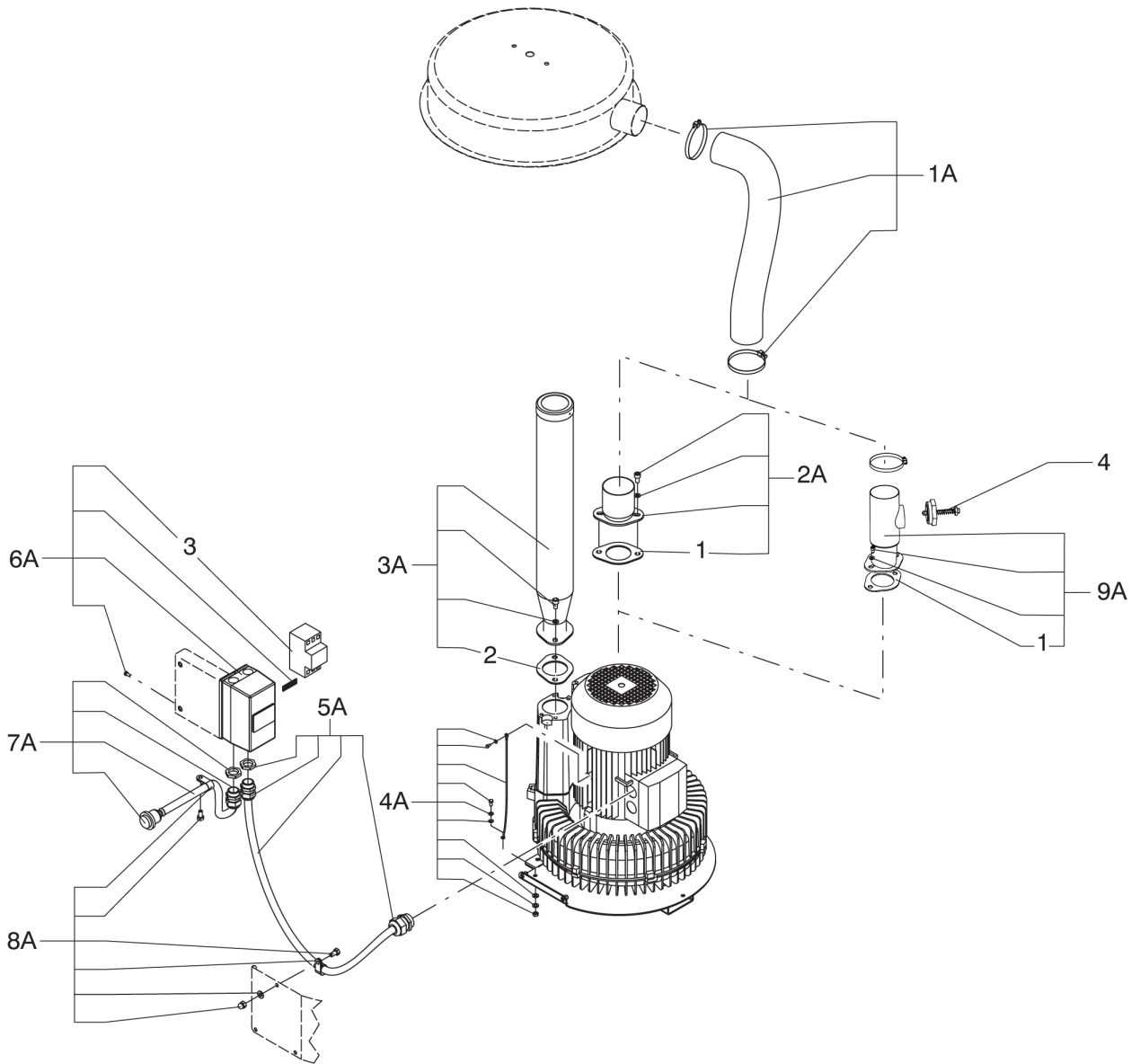




No.	Part No.	Qty.	Description	Part Note
1A	40000875	1	BLOWER KIT V400 H50 / V440 H60	
1A	40000882	1	BLOWER KIT V220 H60 / V380 H60	[1]
2A	40000859	1	BLOWER PROTECTION KIT	[1]
3A	40000874	1	KIT 2 REVOLV. CASTORS D150	
4A	40000858	1	BLOWER SUPPORT KIT	[1]

## Part Notes:

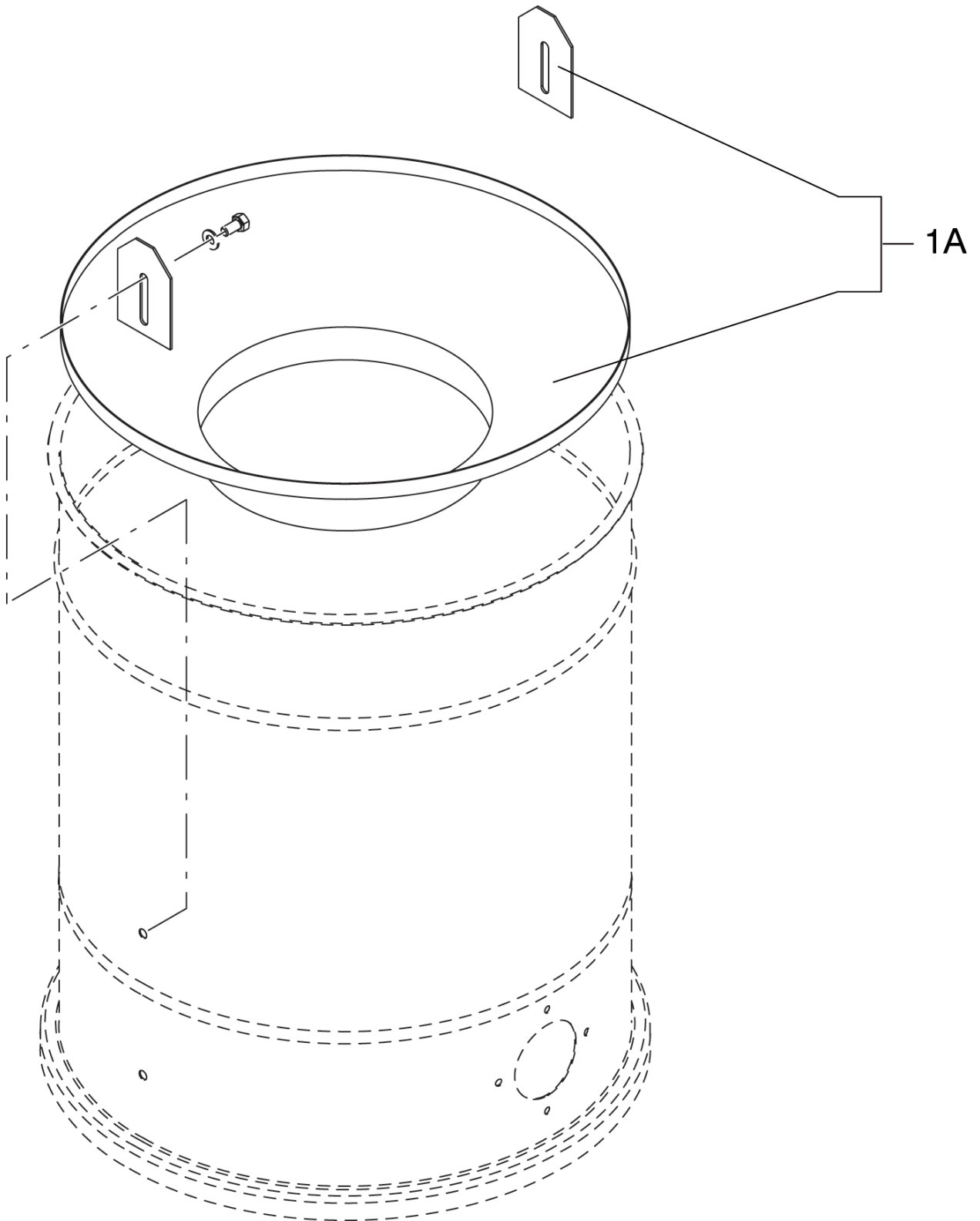
[1] - CONTACT PM IN ZOCCA



No.	Part No.	Qty.	Description	Part Note
1	Z8 17255	1	SEAL X CONNECTIONS SIEMENS	
2	Z8 17255	1	SEAL X CONNECTIONS SIEMENS	
3	4083901538	1	CIRCUIT BREAKER 5.5-8 A SIR.IN.S00	
3	4083901541	1	CIRCUIT BREAKER 10-16 A SIR.IN.S0	
3	4083901540	1	CIRCUIT BREAKER 9-12.5 A SIR.IN.S00	
3	4083901539	1	CIRCUIT BREAKER 7-10 A SIR.IN.S00	
4	Z8 34024	1	RELIEF VALVE 1 1/2	
1A	40000716	1	SUCTION HOSE KIT	
2A	40000556	1	KIT BLOWING CONNECTION D70	
3A	40000504	1	KIT SILENCER FE D80	
4A	40000877	1	GROUND CABLE KIT	[1]
5A	40000876	1	MOTOR POWER CORD	
6A	40000860	1	CONTACT BREAKER KIT V400 H50	
6A	40000883	1	CONTACT BREAKER KIT V440 H60	[1]
6A	40000880	1	CONTACT BREAKER KIT V220 H60	
6A	40000884	1	CONTACT BREAKER KIT V380 H60 /	[1]
7A	40000861	1	POWER CORD KIT V400 HZ50	[1]
7A	40000881	1	POWER CORD KIT HZ60	
7A	Z8 391189	1	CABLE SUP. 4G2.5 NE. SP16 5PP PI	[1]
8A	40000862	1	CORD HOLDER KIT	[1]
9A	40000835	1	SUCTION JUNCTION KIT MOD. BDC3	

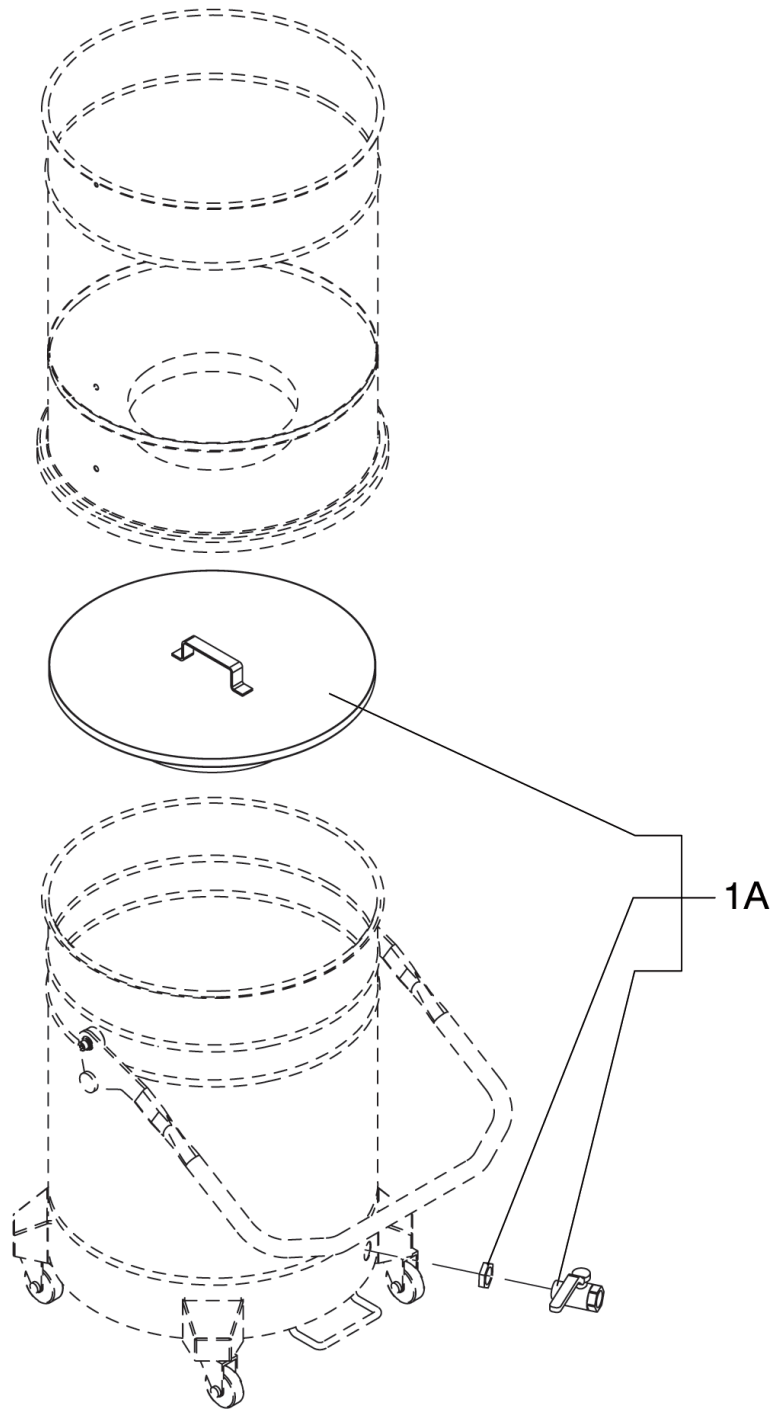
## Part Notes:

[1] - CONTACT PM IN ZOCCA



---

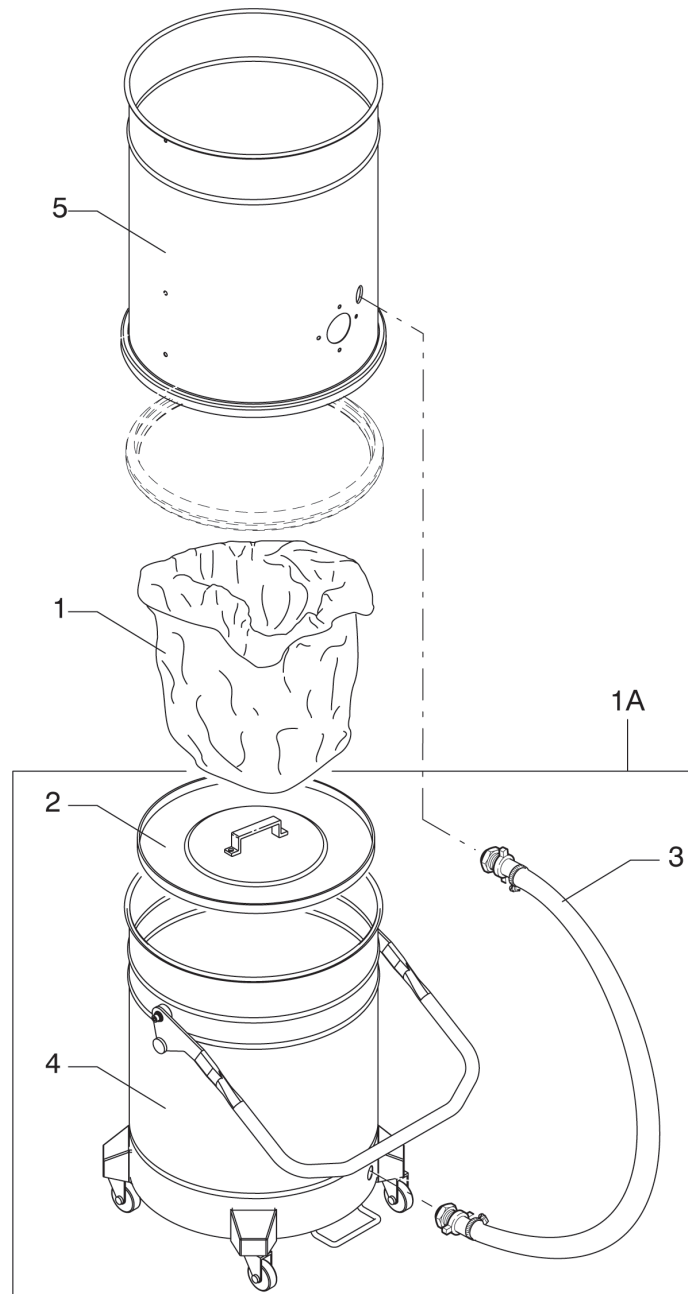
No.	Part No.	Qty.	Description	Part Note
1A	Z5 60109	1	EXTRACT CYCLONE D460 FE COMPLETE	



---

No.	Part No.	Qty.	Description	Part Note
1A	Z5 60034	1	GRID AND VALVE D460 FE COMPLETE GRID AND VALVE D460 FE COMPLETE	





No.	Part No.	Qty.	Description	Part Note
1	Z8 40100	1	BAG POLYETHYLENE LDPE 460/560	
2	Z8 31221	1	CONTAINER GRID D460 ZINC	[1]
3	Z5 60225	1	TUBE DEPRESSOR D.19 MOD.	[2]
4	4083000552	1	BIN D460 S3 L100 GRILL AND DEPBIN D460 S3 L100 GRILL AND DEP	[1]
5	4083101095	1	LATERALE 460X590 T22 FORO DEP. R7001LATERALE 460X590 T22 FORO DEP. R7001	
1A	Z5 60343	1	KIT DEPRESSOR D460 FE D19 WITH TUBE D.19	

## Part Notes:

- [1] - CONTACT PM IN ZOCCA
- [2] - ONLY USED FOR PRODUCTION

