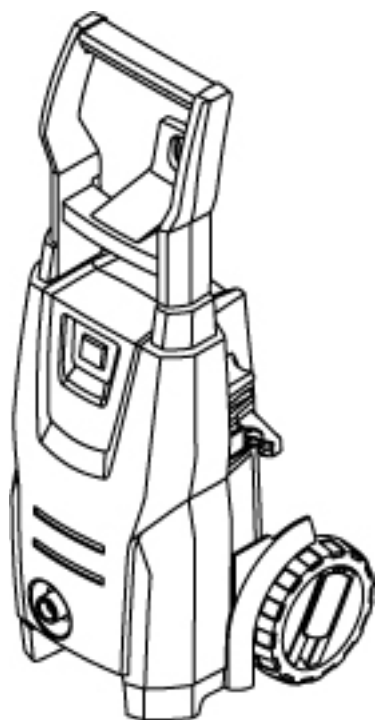


# PARTS LIST

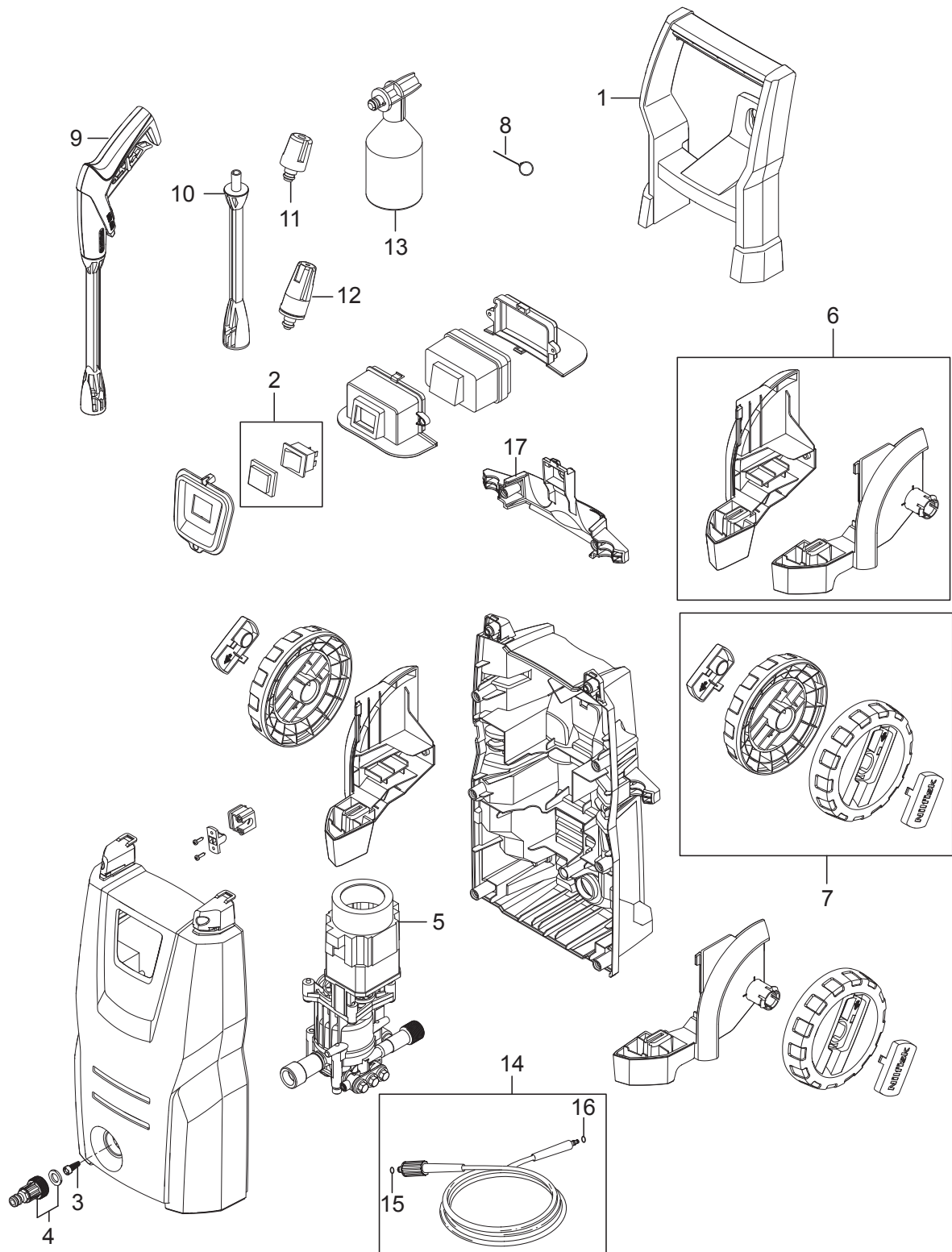


2022.09.30

# TABLE OF CONTENTS

---

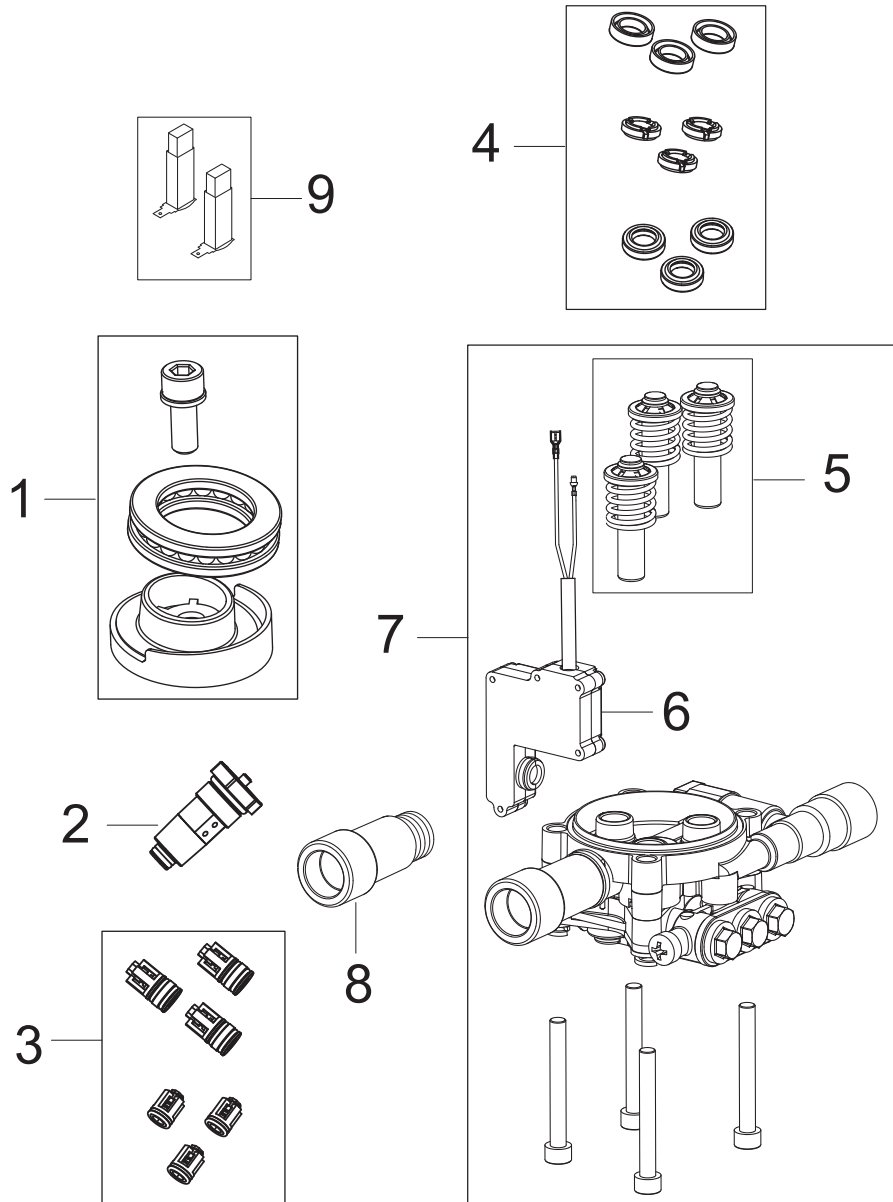
Overview .....1  
Motor pump .....3



| No. | Part No.  | Qty. | Description                          | Part Note |
|-----|-----------|------|--------------------------------------|-----------|
|     | 128501212 | 1    | 10 PCS. 4C BOX C110.7                |           |
| 0   | 128501149 | 1    | 10 PCS. 4C BOX C 110.7 X-TRA         |           |
| 1   | 31001109  | 1    | HANDLE MEDIUM INCL 2 SCREWS          |           |
| 2   | 126486831 | 1    | SWITCH CPL.                          |           |
| 3   | 6481094   | 1    | STRAINER                             |           |
| 4   | 1402809   | 1    | GARDENA COMPATIBLE MALE COUPLING 3/4 |           |
| 5   |           | 1    | Motor                                | [1]       |
| 6   | 31001110  | 1    | WHEEL BRACKET KIT SMALL              |           |
| 7   | 31000521  | 1    | WHEEL KIT 2 PCS                      |           |
| 8   | 6520844   | 1    | CLEANING TOOL BLACK                  |           |
| 9   | 128500908 | 1    | G1 GUN NILFISK                       |           |
| 10  | 128500073 | 1    | G2 C&C SPRAY LANCE                   |           |
| 11  | 126481122 | 1    | TORNADO G2 TURQUOISE                 |           |
| 12  | 128500298 | 1    | C&C POWERSPEED                       |           |
| 13  | 128500077 | 1    | C&C FOAMSPRAYER WITH BOTTLE          |           |
| 14  | 31001107  | 1    | HOSE 5M                              |           |
| 14  | 128500965 | 1    | HOSE PU 6M                           | [2]       |
| 15  | 3001211   | 1    | O-RING 9.6X2.4 NITRIL 70SH           |           |
| 15  | 6411218   | 1    | BAG WITH 10 O-RINGS 3001211          |           |
| 16  | 3004304   | 1    | O-RING 5.1X1.6 VITON SH 90           |           |
| 17  | 31001128  | 1    | ACCESSORY BRIDGE KIT SMALL           |           |

Part Notes:

- [1] - Motor pump
- [2] - ALTERNATIVE USE 31001107 5METER SGP



| No. | Part No. | Qty. | Description                          | Part Note |
|-----|----------|------|--------------------------------------|-----------|
| 1   | 31000519 | 1    | WOBBLE DISC KIT                      |           |
| 2   | 31001106 | 1    | START STOP SYSTEM SMALL              |           |
| 3   | 31000518 | 1    | VALVE KIT                            |           |
| 4   | 31000516 | 1    | SEALING KIT                          |           |
| 5   | 31000517 | 1    | PUMP PISTON KIT                      |           |
| 6   | 31000514 | 1    | MICRO SWITCH                         |           |
| 7   | 31000520 | 1    | PUMP KIT                             |           |
| 8   | 31000791 | 1    | WATER INLET PLASTIC                  |           |
| 9   | 31000832 | 1    | CARBON BRUSH KIT 2 PCS HEIGHT 9.9MM  | [1]       |
| 9   | 31000833 | 1    | CARBON BRUSH KIT 2 PCS HEIGHT 11.4MM | [2]       |

Part Notes:

- [1] - C100, 105 and 110
- [2] - C120 and C125

