

# ATTIX 961-01 ATTIX 963-21 ED XC ATTIX 965-21 SD XC Operating instructions





# Contents




<b>1</b>	<b>Important safety instructions</b>	.....	<b>2</b>
<b>2</b>	<b>Description</b>	2.1 Operating elements .....	<b>6</b>
		2.2 Operating panel.....	<b>7</b>
<b>3</b>	<b>Before starting the cleaner</b>	3.1 Assembling the vacuum cleaner.....	<b>8</b>
		3.1.1 Taking accessories out of the packaging.....	<b>8</b>
		3.1.2 Attaching the suction pipe holder to the suction pipe <sup>1)</sup> .....	<b>8</b>
		3.1.3 Inserting the filter bag (ATTIX 961-01) .....	<b>9</b>
		3.1.4 Inserting the disposal bag (ATTIX 965-21 SD XC).....	<b>10</b>
		3.1.5 Inserting the disposal bag (ATTIX 963-21 ED XC).....	<b>11</b>
<b>4</b>	<b>Control / Operation</b>	4.1 Connections .....	<b>12</b>
		4.1.1 Connecting the suction hose .....	<b>12</b>
		4.1.2 Electrical connection .....	<b>12</b>
		4.2 Switching on the vacuum cleaner.....	<b>12</b>
		4.2.1 Switch " I-O-II " <sup>1)</sup> .....	<b>12</b>
		4.2.2 Switch „ auto-0-I “ <sup>1)</sup> .....	<b>12</b>
		4.2.3 Suction power control <sup>1)</sup> .....	<b>13</b>
		4.2.4 Auto-On/Off-Operation - "auto" switch position <sup>1)</sup> .....	<b>13</b>
		4.3 Cleaning the filter element .....	<b>14</b>
		4.3.1 Cleaning the filter element (Push&Clean System) <sup>1)</sup> .....	<b>14</b>
		4.3.2 Cleaning the filter element " XtremeClean " (ATTIX 963-21 ED XC, ATTIX 965-21 SD XC) .....	<b>14</b>
<b>5</b>	<b>Applications and methods</b>	5.1 Techniques .....	<b>15</b>
		5.1.1 Picking up dry substances.....	<b>15</b>
		5.1.2 Picking up liquids.....	<b>15</b>
<b>6</b>	<b>After using the cleaner</b>	6.1 Switching the vacuum cleaner off and storage.....	<b>16</b>
<b>7</b>	<b>Maintenance</b>	7.1 Maintenance plan .....	<b>17</b>
		7.2 Maintenance work .....	<b>18</b>
		7.2.1 Emptying the dirt tank (ATTIX 961-01) .....	<b>18</b>
		7.2.2 Emptying the dirt tank (ATTIX 965-21 SD XC) .....	<b>19</b>
		7.2.3 Replacing the filter bag(ATTIX 961-01) .....	<b>20</b>
		7.2.4 Replacing the disposal bag (ATTIX 965-21 SD XC).....	<b>21</b>
		7.2.5 Replacing the disposal bag (ATTIX 963-21 ED XC).....	<b>22</b>
		7.2.6 Replacing filter element.....	<b>23</b>
<b>8</b>	<b>Troubleshooting</b>	.....	<b>24</b>
<b>9</b>	<b>Further information</b>	9.1 Recycling the vacuum cleaner .....	<b>25</b>
		9.2 Guarantee .....	<b>25</b>
		9.3 Tests and approvals.....	<b>25</b>
		9.4 Technical data .....	<b>26</b>
		9.5 Optional accessories .....	<b>26</b>
		Declaration of Conformity .....	<b>27</b>

# EN 1 Important safety instructions

## Symbols used to mark instructions



Prior to using the appliance for the first time, be sure to read this document through and keep it ready to hand.

	<b>DANGER</b>
	Danger that leads directly to serious or irreversible injuries, or even death.
	<b>WARNING</b>
	Danger that can lead to serious injuries or even death.
	<b>CAUTION</b>
	Danger that can lead to minor injuries and damage.

The appliance must

- only be used by persons, who have been instructed in its correct usage and explicitly commissioned with the task of operating it
- only be operated under supervision
- This machine is not intended for use by persons (including children) with reduced physical, sensory or mental capabilities, or lack of experience and knowledge.
- Children shall be supervised to make sure that they do not play with the appliance.

1. Do not use any unsafe work techniques.
2. Never use the vacuum cleaner without a filter.
3. Switch off the appliance and disconnect the mains plug in the following situations:
  - Prior to cleaning and servicing
  - Prior to replacing components
  - If foam develops or liquid emerges

Besides the operating instructions and the binding accident prevention regulations valid in the country of use, observe recognised regulations for safety and proper use.

## Purpose and intended use

The appliance is suitable for picking up dry, non-flammable dust and liquids.

Do not use the ATTIX 963-21 ED XC to pick up liquids.

The appliance is suitable for commercial use, such as e.g. in

- Hotels
- Schools
- Hospitals
- Factories
- Shops
- Offices
- Hire shops



Any other use is considered as improper use. The manufacturer accepts no liability for any damage resulting from such use. The risk for such use is borne solely by the user.

Proper use also includes proper operation, servicing and repairs as specified by the manufacturer.

### Transport

1. Before transporting the dirt tank, close all the locks.
2. Do not tilt the cleaner if there is liquid in the dirt tank.
3. Do not use a crane hook to lift the cleaner.

### Storage

1. Store the appliance in a dry place, protected from frost.

### Electrical connection

1. It is recommended that the vacuum cleaner should be connected via a residual current circuit breaker.
2. Arrange the electrical parts (sockets, plugs and couplings) and lay down the extension lead so that the protection class is maintained.
3. Connectors and couplings of power supply cords and extension leads must be watertight.

### Extension lead

1. As an extension lead, only use the version specified by the manufacturer or one of a higher quality. See operating instructions.
2. When using an extension lead, check the minimum cross-sections of the cable:

Cable length	Cross section	
	< 16 A	< 25 A
up to 20 m	1.5 mm <sup>2</sup>	2.5 mm <sup>2</sup>
20 to 50 m	2.5 mm <sup>2</sup>	4.0 mm <sup>2</sup>





### Guarantee

Our general conditions of business are applicable with regard to the guarantee.


Unauthorised modifications to the appliance, the use of incorrect brushes in addition to using the appliance in a way other than for the intended purpose exempt the manufacturer from any liability for the resulting damage.

# EN Risks


## Electrical components

	<p style="text-align: center;"><b>DANGER</b></p> <p>Electric shock due to faulty mains connecting lead. Touching a faulty mains connecting lead can result in serious or even fatal injuries.</p> <ol style="list-style-type: none"> <li>1. Do not damage the mains power lead (e.g. by driving over it, pulling or crushing it).</li> <li>2. Regularly check whether the power cord is damaged or shows signs of ageing.</li> <li>3. Have the faulty mains connecting lead replaced by your Nilfisk service representative or a qualified electrician prior to using the appliance again.</li> </ol>
	<p style="text-align: center;"><b>DANGER</b></p> <p>The upper section of the vacuum cleaner contains live components. Contact with live components leads to serious or even fatal injuries.</p> <ol style="list-style-type: none"> <li>1. Never spray water on to the upper section of the vacuum cleaner.</li> </ol>
	<p style="text-align: center;"><b>CAUTION</b></p> <p>Appliance socket <sup>1)</sup></p> <p>The appliance socket is only designed for the purposes defined in the operating instructions.</p> <ol style="list-style-type: none"> <li>1. The connection of different appliances can result in damage.</li> <li>2. Prior to plugging in an appliance, always switch off the vacuum cleaner and the appliance that is to be connected.</li> <li>3. Read the operating instructions to the appliance to be connected and observe the safety notes contained in these.</li> </ol>
	<p style="text-align: center;"><b>CAUTION</b></p> <p>Damage due to unsuitable mains voltage. The appliance can be damaged as a result of being connected to an unsuitable mains voltage.</p> <ol style="list-style-type: none"> <li>1. Ensure that the voltage shown on the rating plate corresponds to the voltage of the local mains power supply.</li> </ol>


**Picking up liquids**

<b>CAUTION</b>	
	<p>Picking up liquids.</p> <p>ATTIX 965-21 SD XC: Due to their construction vacuum cleaners with a removable tank (SD) do not have an automatic level indicator. There is a risk of damage to the vacuum cleaner due to overfilling or of damage due to leakage of the picked up liquid.</p> <ol style="list-style-type: none"> <li>1. Never pick up more than 40 litres at once.</li> <li>2. Switch off the vacuum cleaner and empty the dirt tank.</li> </ol>


**Hazardous materials**

<b>WARNING</b>	
	<p>Hazardous materials.</p> <p>Vacuuuming up hazardous materials can lead to serious or even fatal injuries</p> <ol style="list-style-type: none"> <li>1. The following materials must not be picked up by the vacuum cleaner: <ul style="list-style-type: none"> <li>- hazardous dust</li> <li>- hot materials (burning cigarettes, hot ash, etc.)</li> <li>- flammable, explosive, aggressive liquids (e.g. petrol, solvents, acids, alkalis, etc.)</li> <li>- flammable, explosive dust (e.g. magnesium or aluminium dust, etc.)</li> </ul> </li> </ol>

**Spare parts and accessories**

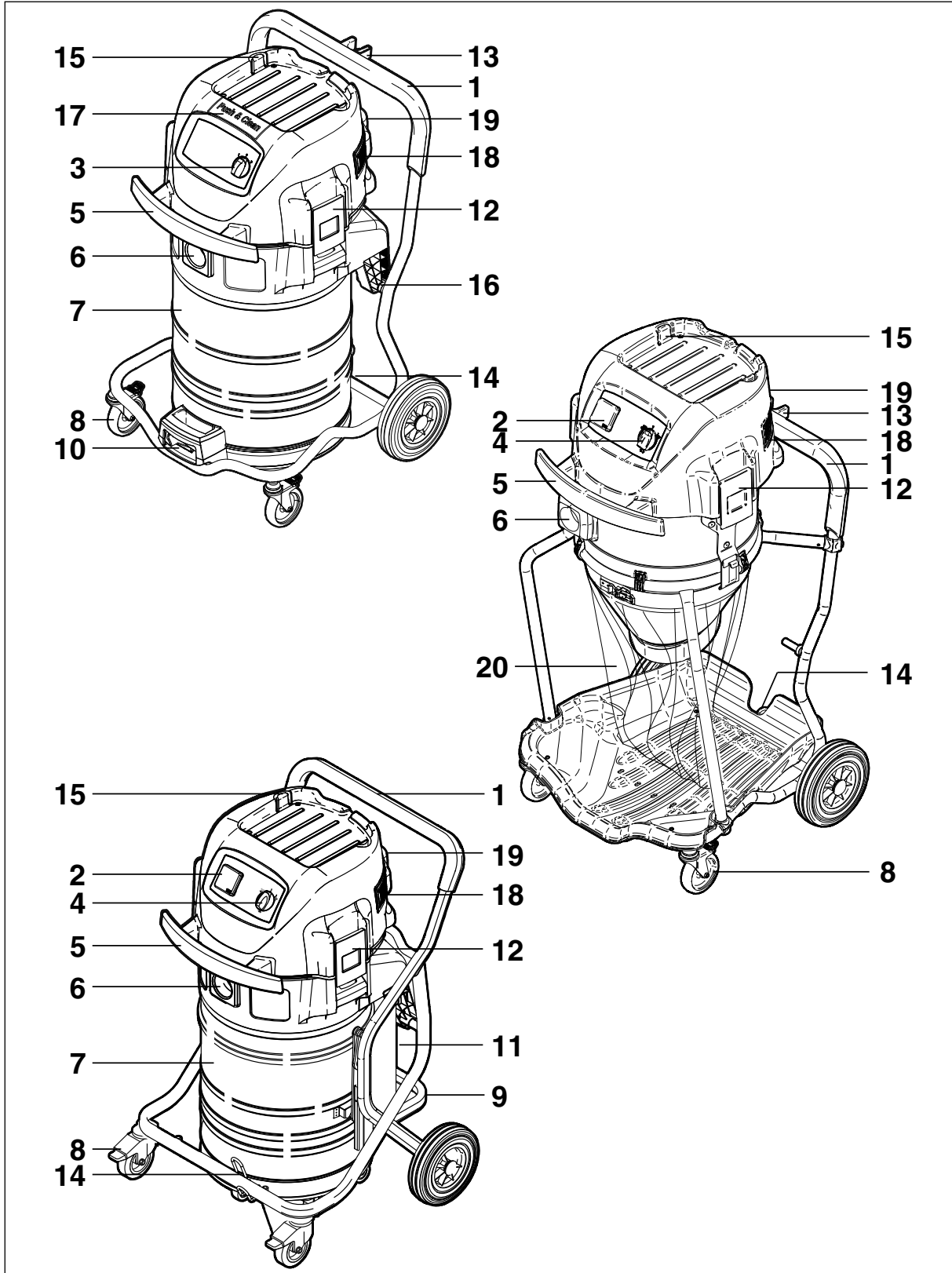
<b>CAUTION</b>	
	<p>Spare parts and accessories.</p> <p>The use of non-genuine spare parts and accessories can impair the safety of the appliance.</p> <ol style="list-style-type: none"> <li>1. Only use spare parts and accessories from Nilfisk.</li> <li>2. Use only the brushes supplied with the vacuum cleaner or specified in the operating manual.</li> </ol>

**Emptying dirt tank**

<b>CAUTION</b>	
	<p>Picking up environmentally hazardous materials.</p> <p>Materials picked up can present a hazard to the environment.</p> <ol style="list-style-type: none"> <li>1. Dispose of the dirt in accordance with legal regulations.</li> </ol>

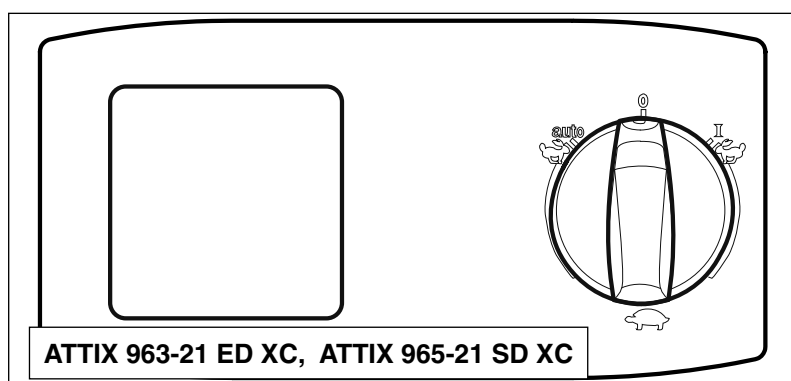
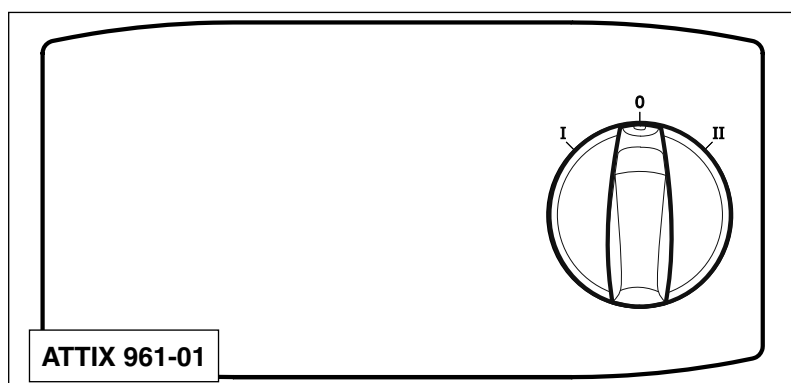
# EN 2 Description

## 2.1 Operating elements



- 1 Handle
- 2 Appliance socket <sup>1)</sup>
- 3 Appliance switch "I-0-II" <sup>1)</sup>
- 4 Appliance switch with suction power control 'auto-0-I' <sup>1)</sup>
- 5 Receptacle for electrical lead
- 6 Inlet fitting
- 7 Dirt tank
- 8 Castor with brake
- 9 Swivel bar to remove dirt tank <sup>1)</sup>
- 10 Grip to empty tank <sup>1)</sup>
- 11 Handle to remove dirt tank <sup>1)</sup>
- 12 Retaining clamp
- 13 Suction pipe support <sup>1)</sup>
- 14 Bracket for floor nozzle <sup>1)</sup>
- 15 Accessory holder
- 16 Clamps and hinges for dirt tank <sup>1)</sup>
- 17 Operating knob for filter cleaning <sup>1)</sup>
- 18 Inlet for fresh air
- 19 Outlet for waste air
- 20 Disposal bag

## 2.2 Operating panel



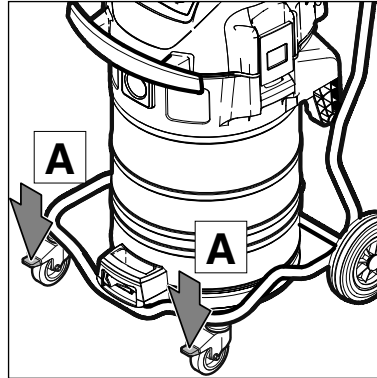
<sup>1)</sup> Optional accessories / Option depending on model  
Original Instructions



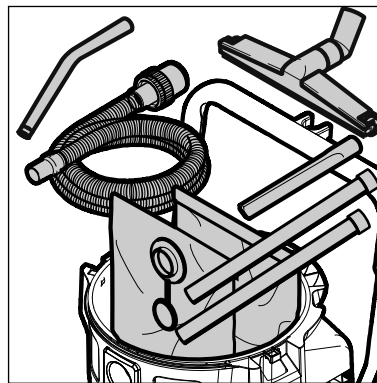
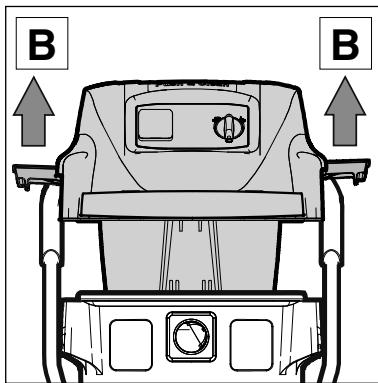
## EN 3 Before starting the cleaner

### 3.1 Assembling the vacuum cleaner

#### 3.1.1 Taking accessories out of the packaging

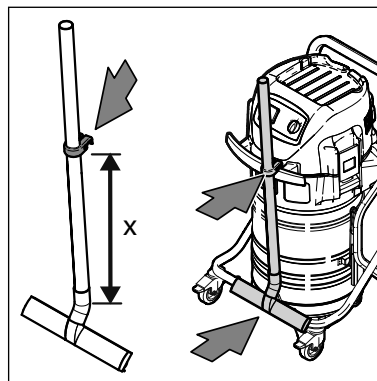


1. Take vacuum cleaner and accessories out of the packaging.
2. The mains plug should not yet be inserted into a socket.
3. Apply parking brakes (A) on both castors.



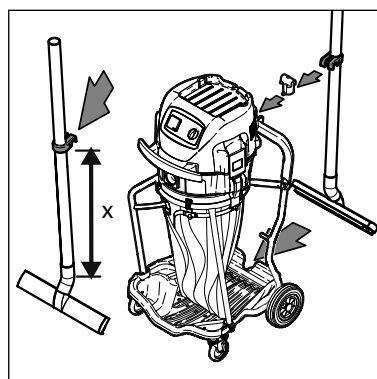
4. Open the retaining clamps (B) and remove the upper section of the vacuum cleaner.
5. Take the accessories <sup>1)</sup> out of the dirt tank and the packaging.

#### 3.1.2 Attaching the suction pipe holder to the suction pipe <sup>1)</sup>

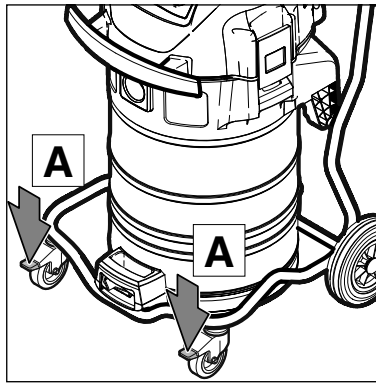


1. Attach the suction pipe holder to the suction pipe.

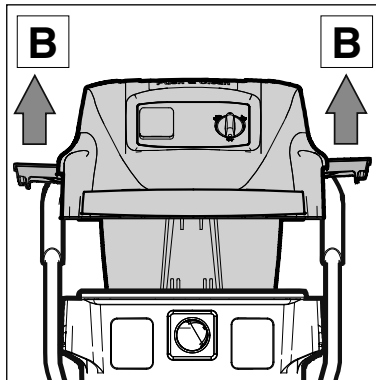
Accessory diameter	Distance (x) from pivot joint to the floor nozzle cm
38	52
50	47



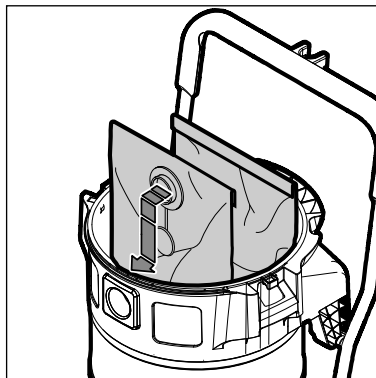
### 3.1.3 Inserting the filter bag (ATTIX 961-01)



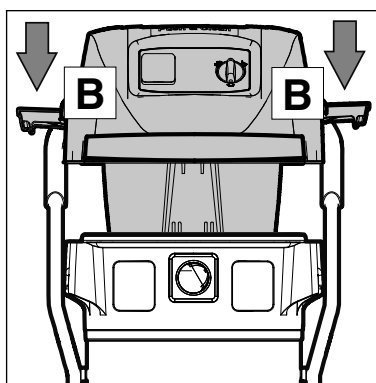
1. The mains plug should not yet be inserted into a socket.
2. Apply parking brakes (A) on both castors.



3. Open the retaining clamps (B) and remove the upper section of the vacuum cleaner.



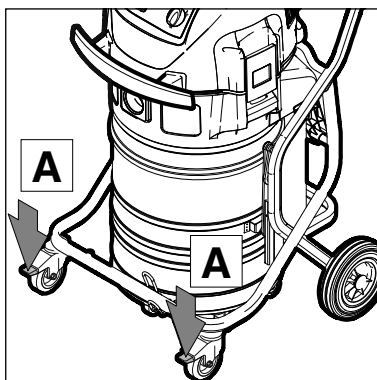
4. Insert the filter bag (C) in the dirt tank.



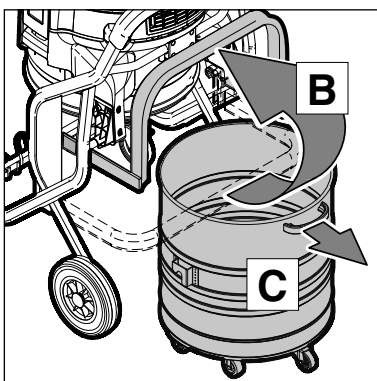
5. Attach the upper section of the vacuum cleaner.
6. Close the retaining clamps (B). Ensure that the retaining clamps fit properly.

EN

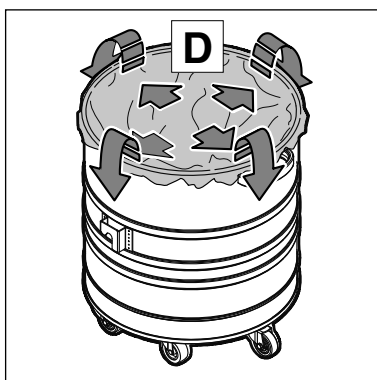
### 3.1.4 Inserting the disposal bag (ATTIX 965-21 SD XC)



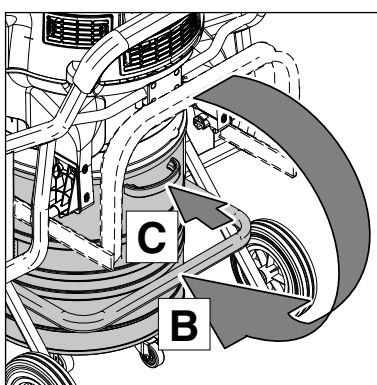
1. The mains plug should not yet be inserted into a socket.
2. Apply parking brakes (A) on both castors.



3. Swing the bar (B) upwards.
4. Use the handle (C) to pull the dirt tank out of the vacuum cleaner.

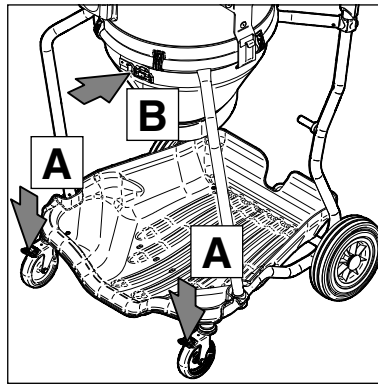


5. Insert the disposal bag (D) in the dirt tank.
6. Fold the top edge of the disposal bag over the rim of the dirt tank.



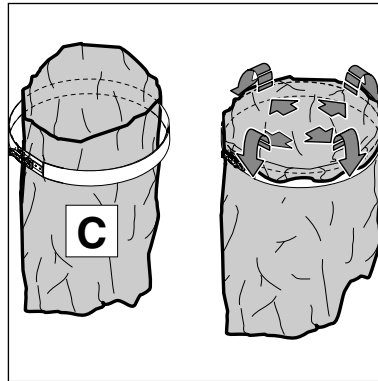
7. Push the dirt tank as far as possible into the vacuum cleaner.
8. Swing the bar (B) downwards without forcing it.

### 3.1.5 Inserting the disposal bag (ATTIX 963-21 ED XC)

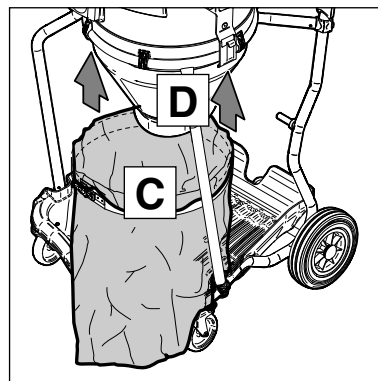


1. The mains plug should not yet be inserted into a socket.
2. Apply parking brakes (A) on both castors.
3. Open clamping ring (B).

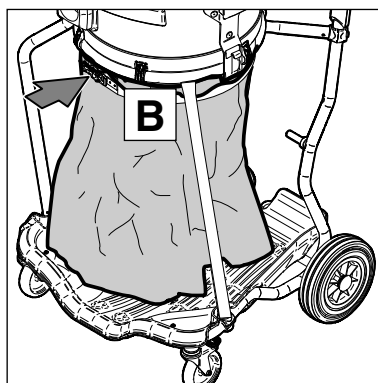
EN



4. Insert disposal bag (C) into clamping ring.
5. Fold the top edge of the disposal bag over the rim of the clamping ring.



6. Attach the new disposal bag (C) onto the storage container (D).

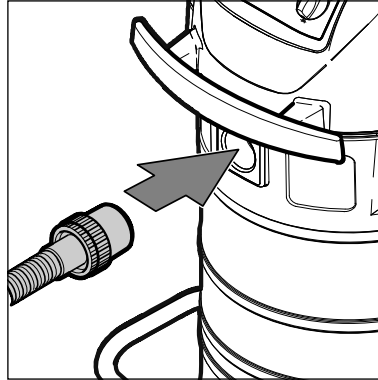


7. Close clamping ring (B).

# EN 4 Control / Operation

## 4.1 Connections

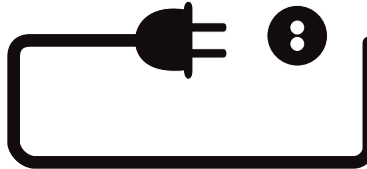
### 4.1.1 Connecting the suction hose



1. Connect the suction hose.

### 4.1.2 Electrical connection

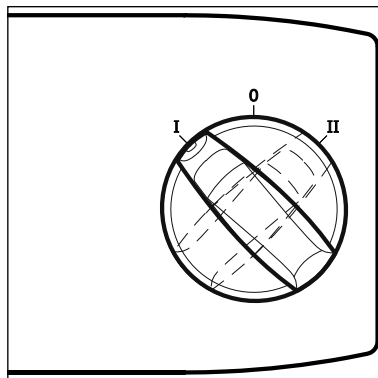
The operating voltage shown on the rating plate must correspond to the voltage of the mains power supply.



1. Ensure that the cleaner is switched off.
2. Insert the power cord into a properly installed and fused socket with earthing contact.

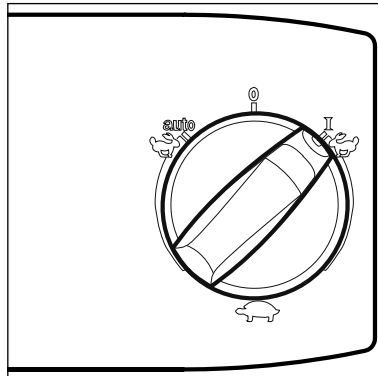
## 4.2 Switching on the vacuum cleaner

### 4.2.1 Switch " I-0-II " <sup>1)</sup>



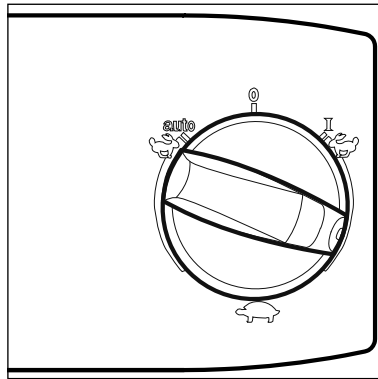
Switch position	Function
I	Reduced suction
0	Off
II	Maximum suction

### 4.2.2 Switch „ auto-0-I “ <sup>1)</sup>



Switch position	Function
I	Maximum suction

### 4.2.3 Suction power control <sup>1)</sup>



Switch position	Function
	The suction power control switch allows precise adaptation of the suction power for different cleaning tasks.



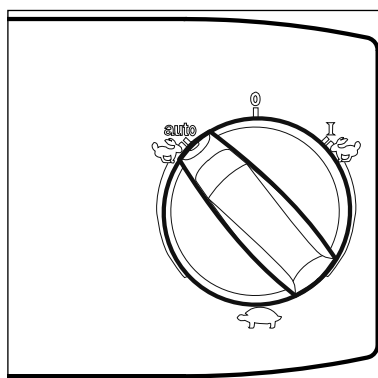
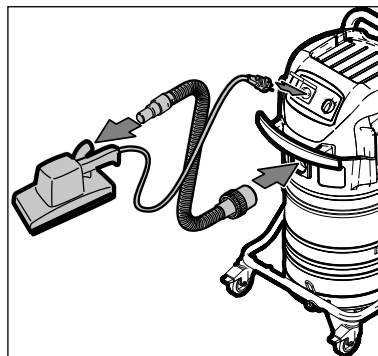
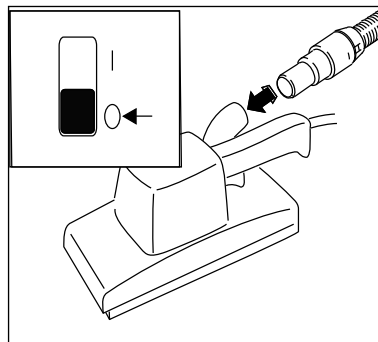
### 4.2.4 Auto-On/Off-Operation - "auto" switch position <sup>1)</sup>

The vacuum cleaner is switched on and off by the power tool connected. Dirt is picked up from the source of dust immediately.

To comply with regulations, only approved dust producing tools should be connected.

The maximum power consumption of the connected electrical appliance is stated in section 9.5 "Technical data".

Before switching the switch to position „auto“, ensure that the tool connected to the appliance socket is switched off.



1. Switch off the vacuum cleaner.
2. Switch off the power tool.
3. Connect the power tool and the vacuum cleaner with a suction hose.
4. Insert the plug of the power tool into the tool socket on the operating panel of the vacuum cleaner.
5. Switch on the vacuum cleaner. Switch in "auto" position.
6. Switch on the power tool. The vacuum cleaner motor starts when the connected power tool is switched on. When the power tool is switched off, the vacuum cleaner continues to run for a short moment so that any dust in the suction hose is conveyed to the filter bag.

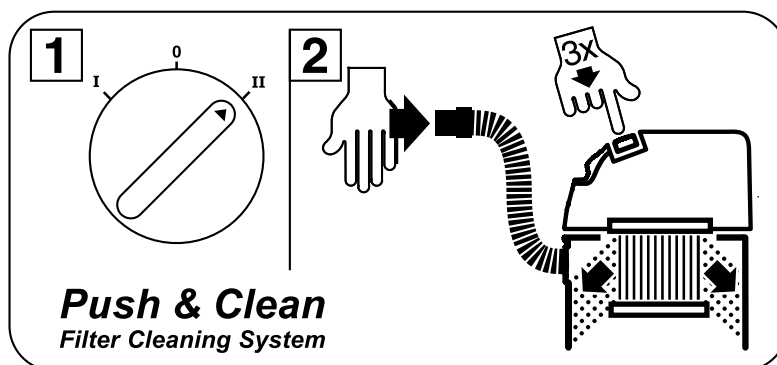
<sup>1)</sup> Optional accessories / Option depending on model  
Original Instructions

EN

### 4.3 Cleaning the filter element

#### 4.3.1 Cleaning the filter element (Push&Clean System)<sup>1)</sup>

Only for vacuum cleaning without a filter bag and without a cloth insert filter.

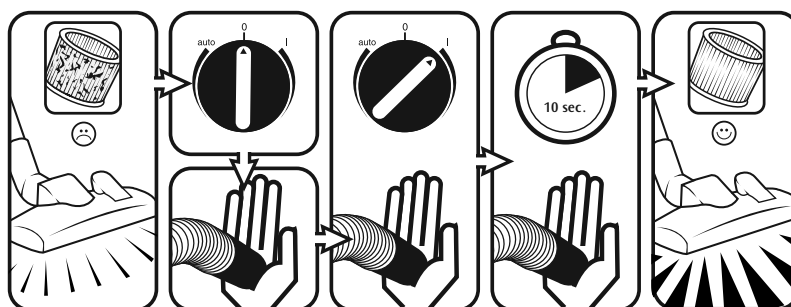


If suction performance drops:

1. Turn switch to position "II" (maximum suction power).
2. Close the nozzles or suction hose opening with the palm of your hand.
3. Press the button to start filter cleaning three times. The resulting stream of air removes attached dust from the slats of the filter elements.

#### 4.3.2 Cleaning the filter element " XtremeClean " (ATTIX 963-21 ED XC, ATTIX 965-21 SD XC)

Only for vacuum cleaning without a cloth insert filter.



To ensure that suction performance is always at its best, the filter element is automatically cleaned during operation. We recommend complete cleaning if the filter element becomes extremely dirty.

1. Switch off the vacuum cleaner
2. Close the nozzles or suction hose opening with the palm of your hand.
3. Turn the switch to position „I“ and let the cleaner operate for approx. 10 seconds with the suction hose opening closed.

# 5 Applications and techniques

## 5.1 Techniques

If used correctly, additional accessories, suction nozzles and suction hoses can enhance the cleaning action and reduce the cleaning effort.

Effective cleaning is achieved if you follow just a few guidelines in combination with your own practical experience in special fields.

Here are some basic tips.

### 5.1.1 Picking up dry substances

#### **CAUTION!**

Do not pick up flammable substances.

Before picking up dry substances, always ensure that a filter bag is inserted in the tank (see section 9.6 "Accessories" for order number). Disposal of the picked up material is then simple and hygienic.

After picking up liquids, the filter element is wet. A damp filter element clogs more quickly when dry substances are picked up. For this reason the filter element should be washed and dried or replaced by a dry element before dry substances are picked up.

### 5.1.2 Picking up liquids

#### **CAUTION!**

Do not pick up flammable liquids.

Do not use the ATTIX 963-21 ED XC to pick up liquids.

Before liquids are picked up, always remove the filter bag/disposal bag.

The use of a separate filter element or filter screen is recommended.

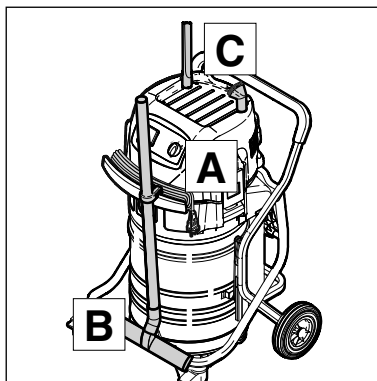
If foam appears, stop work immediately and empty the tank.

To reduce the amount of foam, use foam killer Nilfisk Foam Stop (see section 9.6 "Accessories" for order number).



## **EN** 6 After finishing work

### 6.1 Switching the vacuum cleaner off and storage



1. Switch off the cleaner and pull the mains plug out of the socket.
2. Wind up the power cord and hang it on the handle (A). Begin winding up the cord at the cleaner end and not the plug end to prevent the power cord from tangling up.
3. Empty the dirt tank and clean the vacuum cleaner.
4. After picking up liquids: Store the upper section of the vacuum cleaner separately so that the filter element can dry.
5. Hang the suction hose with the floor nozzle (B) in the brackets and pack the accessories (C) away.
6. Store the cleaner in a dry room where it is protected from unauthorized use.



# 7 Maintenance

## 7.1 Maintenance plan

### ATTIX 961-01:

		After finishing work	When required
7.2.1	Emptying dirt tank	●	
7.2.3	Replacing the filter bag		●
7.2.6	Replacing filter element		●

### ATTIX 965-21 SD XC:

		After finishing work	When required
7.2.2	Emptying dirt tank	●	
7.2.4	Replacing the disposal bag		●
7.2.6	Replacing filter element		●

### ATTIX 963-21 ED XC:

		After finishing work	When required
7.2.5	Replacing the disposal bag		●
7.2.6	Replacing filter element		●

EN

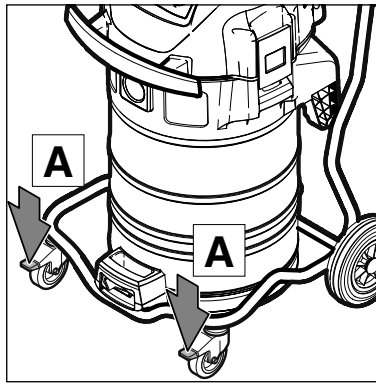
## 7.2 Maintenance work

### 7.2.1 Emptying the dirt tank (ATTIX 961-01)

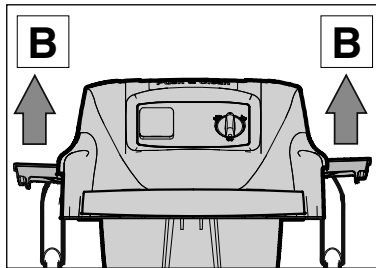
After emptying the tank: clean the rim of the tank and the seals in the intermediate ring and the upper section of cleaner before refitting them.

If the seal or groove is dirty or damaged, the suction performance will be reduced.

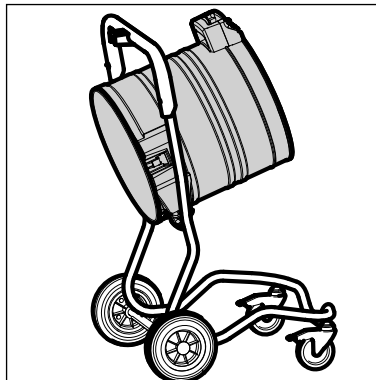
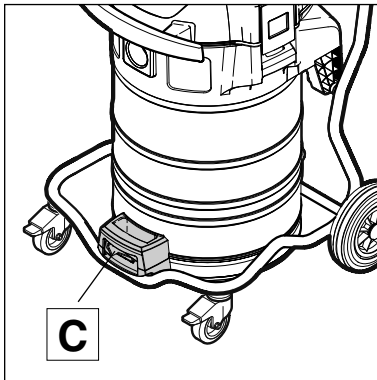
Before reinserting the suction hose: clean the inlet fitting and hose collar.



1. Switch off the vacuum cleaner and pull the mains plug out of the socket.
2. Apply parking brakes (A) on both castors.

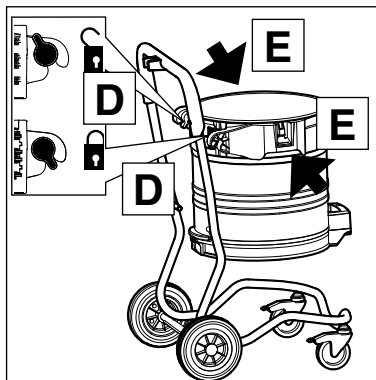


3. Open the retaining clamps (B) and remove the upper section of the vacuum cleaner.



#### Tilting the dirt tank:

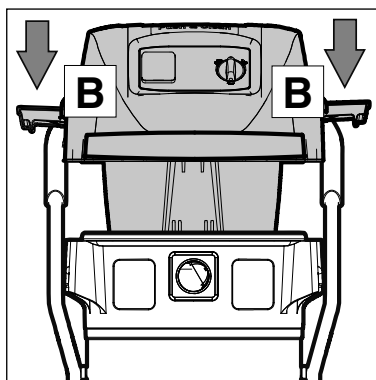
4. Pull the lever in the handle (C) upwards and tilt the tank.
5. Tip out the collected dirt.
6. Dispose of the dirt in accordance with legal regulations.



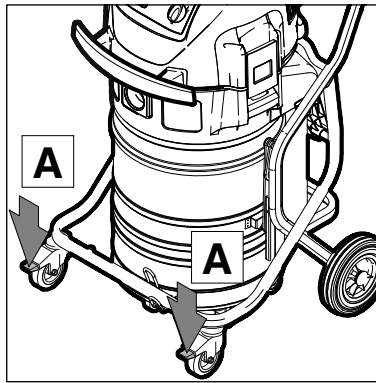
or

#### Removing the dirt tank:

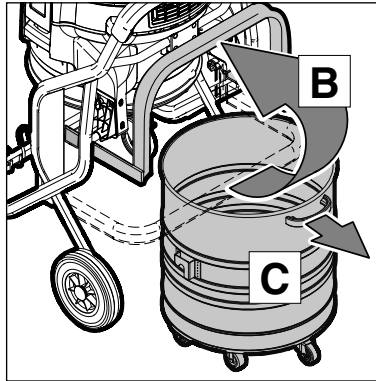
4. Open the tank locks (D).
5. Use the handles (E) to lift the tank out of the frame.
6. Tip out the collected dirt.
7. Dispose of the dirt in accordance with legal regulations.
8. Place the empty tank in the frame and close the locks (D).
9. Attach the upper section of the vacuum cleaner.
10. Close the retaining clamps (B). Ensure that the retaining clamps fit properly.



## 7.2.2 Emptying the dirt tank (ATTIX 965-21 SD XC)

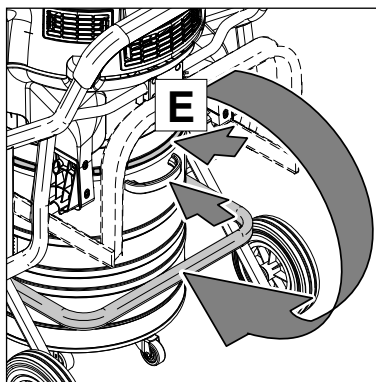
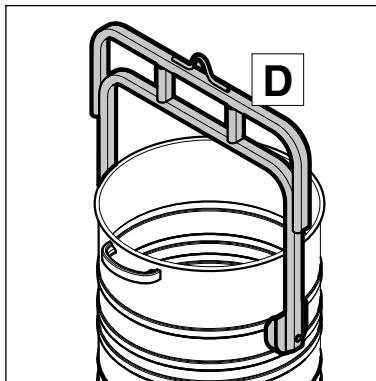


1. Switch off the vacuum cleaner and pull the mains plug out of the socket.
2. Apply parking brakes (A) on both castors.



### Removing the dirt tank:

3. Swing the bar (B) upwards.
4. Use the handle (C) to pull the dirt tank out of the vacuum cleaner.
5. Tipping out the collected dirt: **WARNING!** If heavy dirt has been picked up, never lift the dirt tank alone. Use the FORKLIFT (D), which is available as an accessory.
6. Use a crane or fork lift truck to position the FORKLIFT above the dirt tank.
7. Attach the tank to the accessory.
8. Dispose of the dirt in accordance with legal regulations.



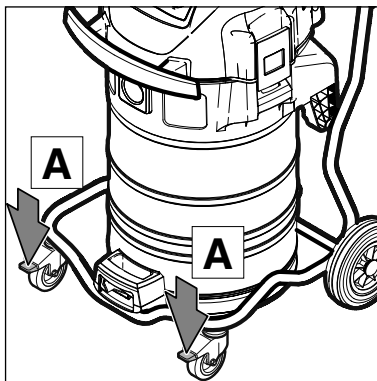
### Inserting the dirt tank:

9. Clean the dirt tank.
10. Check the seals (E) between the tank and the upper section of the vacuum cleaner.
11. Push the dirt tank as far as possible into the vacuum cleaner.
12. Swing the bar (B) downwards without forcing it.

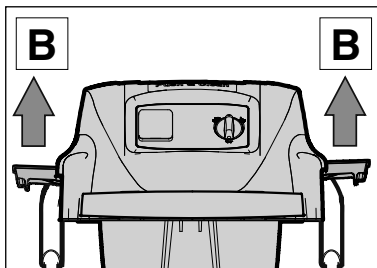
EN

### 7.2.3 Replacing the filter bag (ATTIX 961-01)

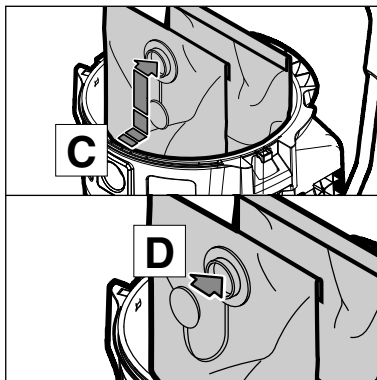
If the filter bag has heavy dirt, remove the bag by tilting the tank. See Section 7.2.1.



1. Switch off the vacuum cleaner and pull the mains plug out of the socket.
2. Apply parking brakes (A) on both castors.

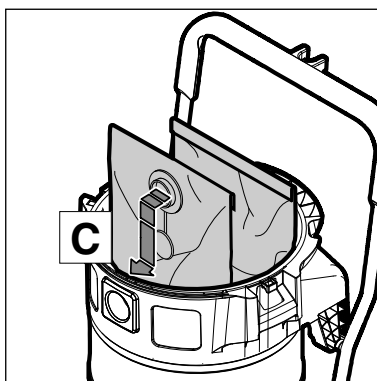


3. Open the retaining clamps (B) and remove the upper section of the vacuum cleaner.



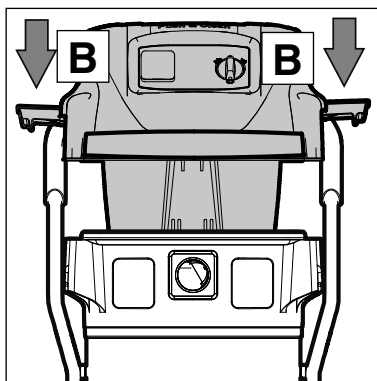
#### Removing the filter bag:

4. Carefully remove the filter bag connection from the inlet fitting (C).
5. Close the filter bag connection (1) with the hinged lid.
6. Dispose of the filter bag in accordance with legal regulations.



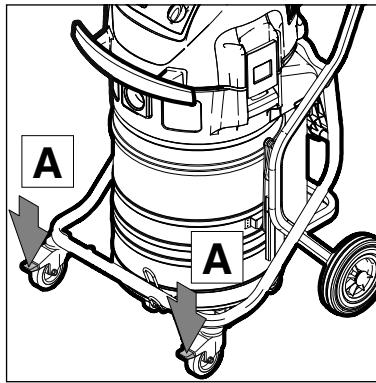
#### Inserting the filter bag:

7. Clean the dirt tank.
8. Insert the filter bag in the dirt tank.
9. Press the bush of the new filter bag firmly on to the inlet fitting (C).



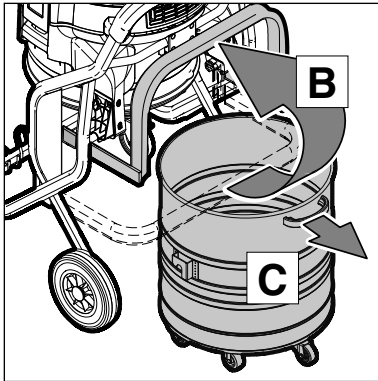
10. Attach the upper section of the vacuum cleaner.
11. Close the retaining clamps (B). Ensure that the retaining clamps fit properly.

### 7.2.4 Replacing the disposal bag (ATTIX 965-21 SD XC)



1. Switch off the vacuum cleaner and pull the mains plug out of the socket.
2. Apply parking brakes (A) on both castors.

EN

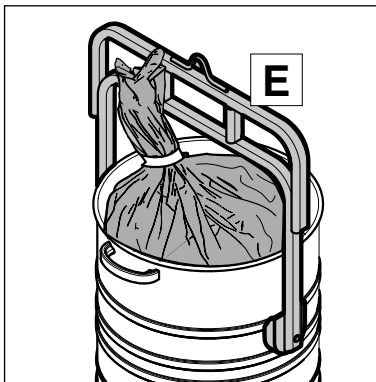


#### Removing the disposal bag:

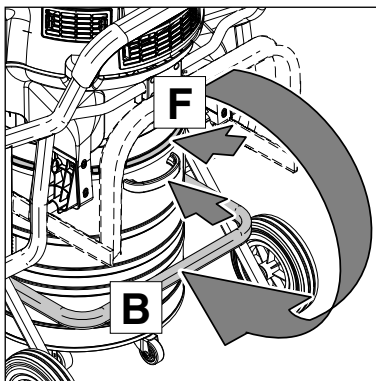
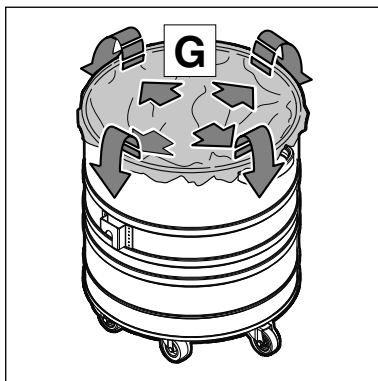
3. Swing the bar (B) upwards.
4. Use the handle (C) to pull the dirt tank out of the vacuum cleaner.
5. Close the disposal bag with string (D) and remove it from the dirt tank.

#### WARNING!

If heavy dirt has been picked up, never lift the dirt tank alone. Use the FORKLIFT (E), which is available as an accessory.



6. Use a crane or fork lift truck to position the FORKLIFT (E) above the dirt tank.
7. Attach the tank to the accessory.
8. Dispose of the dirt in accordance with legal regulations.

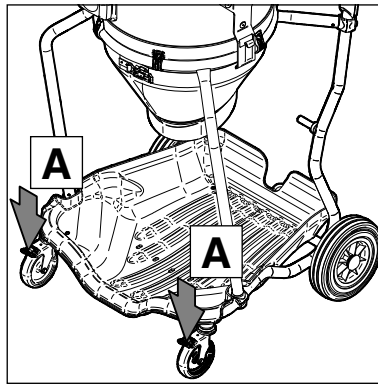


#### Inserting the disposal bag:

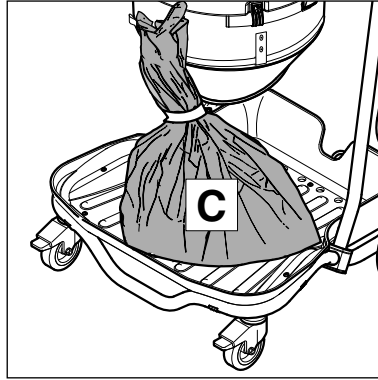
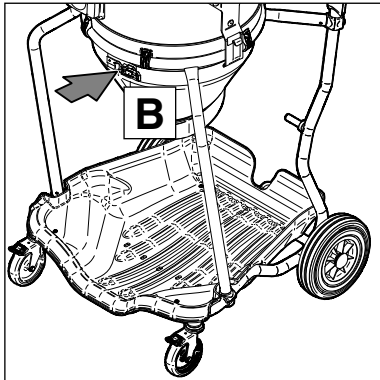
9. Clean the dirt tank.
10. Check the seals (F) between the tank and the upper section of the vacuum cleaner.
11. Insert the disposal bag (G) in the dirt tank.
12. Fold the top edge of the disposal bag over the rim of the dirt tank.
13. Push the dirt tank as far as possible into the vacuum cleaner.
14. Swing the bar (B) downwards without forcing it.

EN

### 7.2.5 Replacing the disposal bag (ATTIX 963-21 ED XC)

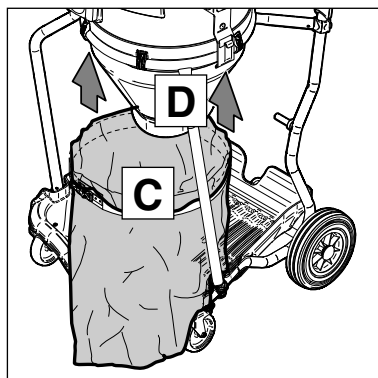
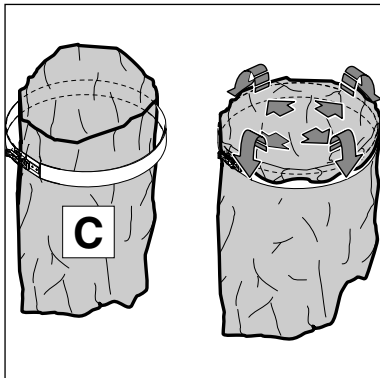


1. Switch off the vacuum cleaner and pull the mains plug out of the socket.
2. Apply parking brakes (A) on both castors.



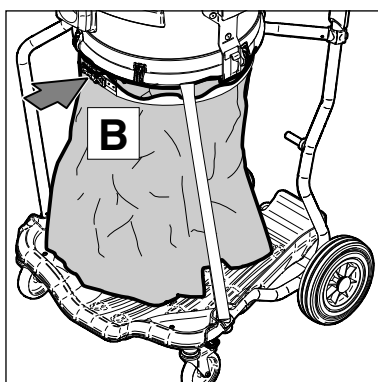
#### Remove the disposal bag:

3. Open clamping ring (B).
4. Detach the disposal bag (C) from the storage container and seal it.
5. Dispose of the dirt in accordance with legal regulations.



#### Inserting the disposal bag:

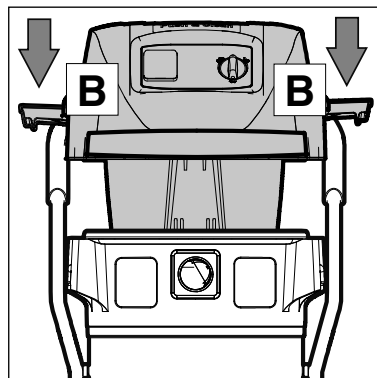
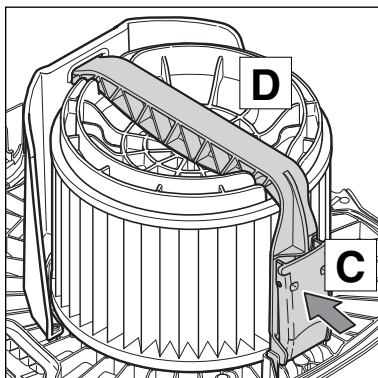
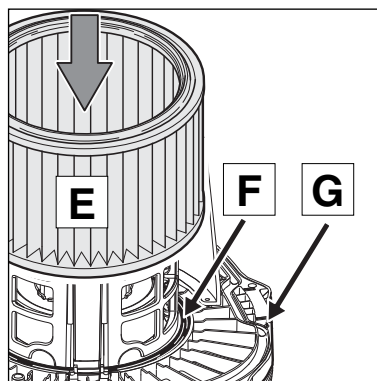
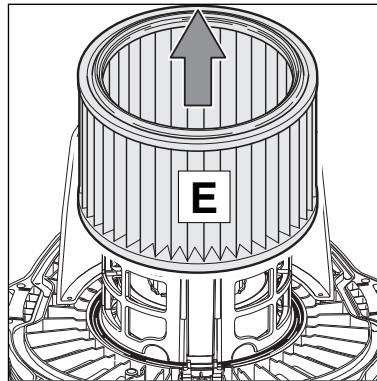
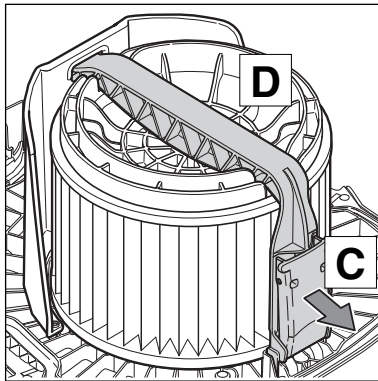
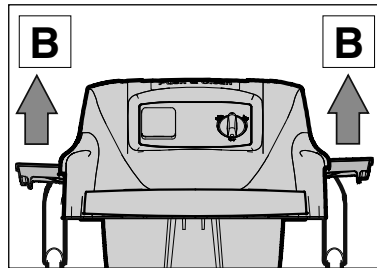
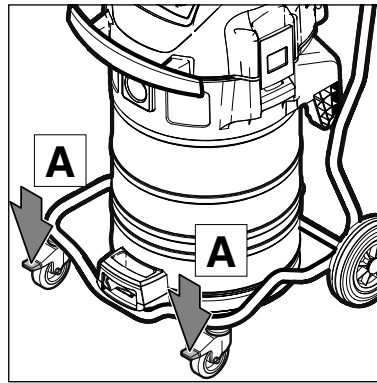
1. Insert disposal bag (C) into clamping ring.
2. Fold the top edge of the disposal bag over the rim of the clamping ring.
3. Attach the new disposal bag (C) onto the storage container (D).



4. Close clamping ring (B).

## 7.2.6 Replacing filter element

*Never use the vacuum cleaner without a filter.*



1. Switch off the vacuum cleaner and pull the mains plug out of the socket.
2. Apply parking brakes (A) on both castors.

EN

3. Open the retaining clamps (B) and remove the upper section of the vacuum cleaner.

### Removing the filter element:

4. Lay the upper section of the cleaner down with the filter element facing upwards.
5. Open the bar handle (C) and remove it.
6. Remove the filter holder (D).
7. Carefully remove the filter element (E).
8. Dispose of the used filter element in accordance with legal regulations.

### Inserting the filter element:

9. Clean the filter seal (F). Check it for damage and replace it if necessary.
10. Check the antistatic pin (G) for damage. If necessary, have it replaced by Nilfisk Service.
11. Push new filter element (E) onto the filter holder.
12. Attach filter holder (D).
13. Attach bar (C) and close.
14. Attach the upper section of the vacuum cleaner.
15. Close the retaining clamps (B). Ensure that the retaining clamps fit properly.



## **EN** 8 Troubleshooting

<b>Fault</b>	<b>Cause</b>	<b>Remedy</b>
‡ Motor does not start	<ul style="list-style-type: none"> <li>&gt; Fuse of the mains socket has blown.</li> <li>&gt; Overload protection switch has tripped.</li> <li>&gt; Motor is faulty.</li> </ul>	<ul style="list-style-type: none"> <li>• Connect mains fuse.</li> <li>• Switch off the vacuum cleaner and allow it to cool for approx. 5 minutes. If the cleaner cannot be started again, contact the Nilfisk service department.</li> <li>• Have motor changed by Nilfisk Service.</li> </ul>
‡ Motor does not run in automatic mode <sup>1)</sup>	<ul style="list-style-type: none"> <li>&gt; Power tool/pneumatic tool is defective or not connected properly.</li> <li>&gt; The power rating of the electrical tool is too low.</li> </ul>	<ul style="list-style-type: none"> <li>• Check that the power tool works or that the plug is inserted correctly.</li> <li>• Note that minimum power rating is P&gt;40W</li> </ul>
‡ Reduced suction power	<ul style="list-style-type: none"> <li>&gt; Suction power selected with suction power control is too low.</li> <li>&gt; Clogged suction hose/nozzle.</li> <li>&gt; Tank, disposal bag or filter bag is full.</li> <li>&gt; Filter element is clogged.</li> <li>&gt; Seal between tank and upper section of vacuum cleaner is faulty or missing.</li> <li>&gt; Cleaning mechanism is defective.</li> </ul>	<ul style="list-style-type: none"> <li>• Set suction power in accordance with section „Setting suction power“.</li> <li>• Clean suction hose/nozzle</li> <li>• See "Emptying tank" or "Replacing disposal bag, filter bag" sections.</li> <li>• See section „Cleaning filter element“ and „Replacing filter element“.</li> <li>• Replace seal.</li> <li>• Contact Nilfisk Service.</li> </ul>
‡ No suction power during wet cleaning (ATTIX 961-01)	<ul style="list-style-type: none"> <li>&gt; Tank is full.</li> </ul>	<ul style="list-style-type: none"> <li>• Switch off the cleaner. Empty the tank.</li> </ul>
‡ Voltage fluctuations	<ul style="list-style-type: none"> <li>&gt; Impedance of power supply is too high.</li> </ul>	<ul style="list-style-type: none"> <li>• Connect the cleaner to another socket closer to the fuse box. Voltage fluctuations over 7% should not occur if the impedance at the transfer point is <math>\leq 0.15 \Omega</math>.</li> </ul>

# 9 Further information



## 9.1 Recycling the vacuum cleaner

1. Make the old cleaner unusable immediately.
2. Unplug the cleaner and cut the power cord.
3. Do not discard of electrical appliances with household waste.



Equipment marked with the crossed-out wheeled bin symbol indicates that used electrical and electronic equipment should not be discarded together with unseparated household waste. To avoid negative effects on human health and the environment the equipment must be collected separately at the designated collection points.

Users of electrical and electronic household equipment must use the municipal collection schemes. Please note that commercially used electrical and electronic equipment, shall not be disposed of via municipal collection schemes. We will be pleased to inform you about suitable disposal options.

## 9.2 Guarantee

Our general conditions of business are applicable with regard to the guarantee.  
Subject to change as a result of technical advances.

## 9.3 Tests and approvals

Electrical tests must be performed in accordance with the provisions of safety regulations (VBG4) and to DIN VDE 0701 Part 1 and Part 3. In accordance with DIN VDE 0702 these tests must be performed at regular intervals and after repairs or modifications.

The vacuum cleaner has been approved in accordance with IEC/EN 60335-2-69.



## 9.4 Technical data

ATTIX 9				
		961-01	965-21 SD XC	963-21 ED XC
Voltage	V	230 (EU,CH,GB) 110 (GB)	230 (DK,EU) 240 (AU)	230 (DK,EU) 110 (GB)
Mains frequency	Hz	50/60		
Fuse	A	10 (CH) 13 (GB 230V) 16 (EU) 32 (GB 110 V)	10 (DK, AU) 16 (EU)	10 (DK) 16 (EU) 32 (GB 110 V)
Power consumption <sub>IEC</sub>	W	2x1200 (EU,GB) 2x1000(CH, GB 110V)	2x1200 (EU) 2x1000(DK, AU)	2x1200 (EU) 2x1000(DK,GB)
Connected load for appliance socket	W		1200 (EU) 300 (DK) 400 (AU)	1200 (EU) 300 (DK) 750 (GB)
Total connected load	W	2400 (EU,GB) 2000 (CH, GB 110V)	3600 (EU) 2300 (DK) 2400 (AU)	3600 (EU) 2300 (DK) 2750 (GB)
Air flow rate	m <sup>3</sup> /h l/min	2x216 (EU,GB) / 2x174 (CH, GB 110V) 2x3600 (EU,GB) / 2x2900 (CH, GB 110V)	2x216 (EU) / 2x174 (DK, AU) 2x3600 (EU) / 2x2900 (DK, AU)	2x216 (EU) / 2x174 (DK, GB) 2x3600 (EU) / 2x2900 (DK, GB)
Vacuum	hPa/mbar kPa	230 (EU, GB) / 210 (DK, CH GB 110V) 23 (EU,GB) / 21 (DK, CH GB 110V, AU)		
Sound pressure level at a distance of 1 m, EN 60704-1	dB(A)	70 ± 2		
Working sound pressure level	dB(A)	67 ± 2		
Vibration ISO 5349	m/s <sup>2</sup>	≤ 2,5		
Power cord: Length	m	10 (EU, CH, GB, DK) 7,5 (AU)		
Power cord: Type		H07RN-F3G1,0 mm <sup>2</sup> (CH,DK) H07RN-F3G1,5 mm <sup>2</sup> (EU, GB 230 V) H07BQ-F3G2,5 mm <sup>2</sup> (GB 110 V) H05RR-F3G1,5mm <sup>2</sup> (AU)		
Protection class		I		
Type of protection (splash water protected)		IP X4		
Radio interference level		EN 55014-1		
Tank volume	l	70	50	30
Width	mm	610	640	620
Depth	mm	645	725	605
Height	mm	985	1020	1200
Weight	kg	36	42	30

## 9.5 Optional accessories

Description	Order No.
Filter bag (5 pcs.) ATTIX 961-01	302002892
Disposal bag (5 pcs.) ATTIX 965-21 SD XC	302001480
Disposal bag (24 pcs.) ATTIX 963-21 ED XC	302003723
Filter element	107400562
Cloth insert filter ATTIX 961-01, ATTIX 965-21 SD XC	302002894
Nilfisk-Foam-Stop (6 x 1 l) ATTIX 961-01, ATTIX 965-21 SD XC	8469

**Declaration of Conformity**

Prohlášení o shodě  
 Konformitätserklärung  
 Overensstemmelseserklæring  
 Declaración de conformidad  
 Vastavusdeklaratsioon  
 Déclaration de conformité  
 Vaatimustenmukaisuusvakuutus

Декларация за съответствие  
 Δήλωση συμμόρφωσης  
 Megfelelősségi nyilatkozat  
 Izjava o skladnosti  
 Dichiarazione di conformità  
 Atitikties deklaracija  
 Atbilstības deklarācija  
 Samsvarserklæring  
 Conformiteitsverklaring

Declaração de conformidade  
 Deklaracja zgodności  
 Declaratie de conformitate  
 Декларация о соответствии  
 Försäkran om överensstämmelse  
 Vyhlášení o zhode  
 Izjava o skladnosti  
 Uygunluk beyanı

**Manufacturer /** Výrobce / Hersteller / Fabrikant /  
 Fabricante / Κατασκευαστής / Gyártó / Proizvođač /  
 Fabbricante / Gamintojas / Ražotājs / Producers /  
 Fabrikant / Fabricante / Producent / Producător /  
 производитель / Tillverkaren / Výrobca / Proizvajalec /  
 Üretici firma:

**Nilfisk A/S, Kornmarksvej 1  
 DK-2605 Broendby, DENMARK**

Product / Produkt / Producto, Toode, Produit, Tuote/  
 Продукт / Προϊόν / Termék / Proizvod / Prodotto /  
 Produktas / Produkts / Artikel / Produtos / Produis /  
 Izdelek / Ürün

**ATTIX 961-01, ATTIX 965-21 SD XC**

Description / Popis / Beschreibung / Beskrivelse /  
 Descripción / Kirjeldus / La description / Kuvaus /  
 Описание / Περιγραφή / Leirás / Opis / Descrizione /  
 Aprašymas / Apraksts / Beschrijving / Descrição /  
 Descriere / Beskrivning / Popis / Açıklama

**VAC - Commercial - Wet/Dry  
 220-240V, 110-120V 50-60Hz-V, IPX4**

**EN**

**We, Nilfisk hereby declare under our sole  
 responsibility, that the above-mentioned  
 product(s) is/are in conformity with the  
 following directives and standards.**

**LT**

Mes, „Nilfisk“, prisiimdami visišką  
 atsakomybę pareiškiame, kad pirmiau  
 minėtas produktas (-ai) atitinka šias  
 direktyvas ir standartus

**CS**

My, Nilfisk prohlašujeme na svou výlučnou  
 odpovědnost, že výše uvedený výrobek je ve  
 shodě s následujícími směrnici a normami.

**LV**

Mēs, Nilfisk, ar pilnu atbildību apliecinām, ka  
 iepriekšminētais produkts atbilst šādām  
 direktīvām un standartiem

**DE**

Wir, Nilfisk erklären in alleiniger  
 Verantwortung, dass das oben genannte  
 Produkt den folgenden Richtlinien und  
 Normen entspricht.

**NO**

Vi, Nilfisk erklærer herved under eget ansvar,  
 at det ovennevnte produktet er i samsvar  
 med følgende direktiver og standarder

**DA**

Vi, Nilfisk erklærer hermed under eget ansvar  
 at ovennævnte produkt(er) er i  
 overensstemmelse med følgende direktiver og  
 standarder.

**NL**

We verklaren Nilfisk hierbij op eigen  
 verantwoordelijkheid, dat het  
 bovengenoemde product voldoet aan de  
 volgende richtlijnen en normen

**ES**

Nosotros, Nilfisk declaramos bajo nuestra  
 única responsabilidad que el producto antes  
 mencionado está en conformidad con las  
 siguientes directivas y normas

**PT**

Nós, a Nilfisk declaramos, sob nossa exclusiva  
 responsabilidade, que o produto acima  
 mencionado está em conformidade com as  
 diretrizes e normas a seguir

**ET**

Meie, Nilfisk Käesolevaga kinnitame ja  
 kanname ainuisikulist vastutust, et eespool  
 nimetatud toode on kooskõlas järgmiste  
 direktiivide ja

**PL**

My, Nilfisk Niniejszym oświadczamy z pełną  
 odpowiedzialnością, że wyżej wymieniony  
 produkt jest zgodny z następującymi  
 dyrektywami i normami..

<p><b>FR</b> Nilfisk déclare sous notre seule responsabilité que le produit mentionné ci-dessus est conforme aux directives et normes suivantes.</p>	<p><b>RO</b> Noi, Nilfisk Prin prezenta declarăm pe propria răspundere, că produsul mai sus menționat este în conformitate cu următoarele standarde și directive</p>
<p><b>FI</b> Me, Nilfisk täten vakuutamme omalla vastuulla, että edellä mainittu tuote on yhdenmukainen seuraavien direktiivien ja standardien mukaisesti</p>	<p><b>RU</b> Мы, Nilfisk настоящим заявляем под нашу полную ответственность, что вышеперечисленные продукция соответствует следующими директивам и стандартам.</p>
<p><b>BG</b> Ние, Nilfisk С настоящото декларираме на своя лична отговорност, че посочените по-горе продуктът е в съответствие със следните директиви и стандарти.</p>	<p><b>SV</b> Vi Nilfisk förklarar härmed under eget ansvar att ovan nämnda produkt överensstämmer med följande direktiv och normer.</p>
<p><b>EL</b> Εμείς, Nilfisk δηλώνουμε με αποκλειστική μας ευθύνη, ότι το προαναφερόμενο προϊόν συμμορφώνεται με τις ακόλουθες οδηγίες και πρότυπα.</p>	<p><b>SK</b> My, Nilfisk prehlasujeme na svoju výlučnú zodpovednosť, že vyššie uvedený výrobok je v zhode s nasledujúcimi smernicami a normami.</p>
<p><b>HU</b> Mi, Nilfisk Kijelentjük, egyedüli felelősséggel, hogy a fent említett termék megfelel az alábbi irányelveknek és szabványoknak</p>	<p><b>SL</b> Mi, Nilfisk izjavljamo s polno odgovornostjo, da je zgoraj omenjeni izdelek v skladu z naslednjimi smernicami in standardi.</p>
<p><b>HR</b> Mi, Nilfisk Izjavljujemo pod punom odgovornošću, da gore navedeni proizvod u skladu sa sljedećim direktivama i standardima.</p>	<p><b>TR</b> Nilfisk, burada yer alan tüm sorumluluklarımıza göre, yukarıda belirtilen ürünün aşağıdaki direktifler ve standartlara uygun olduğunu beyan ederiz.</p>
<p><b>IT</b> Noi, Nilfisk dichiara sotto la propria responsabilità, che il prodotto di cui sopra è conforme alle seguenti direttive e norme.</p>	

<b>2006/42/EC</b>	<b>EN 60335-1:2012+A11:2014+A13:2017</b> <b>EN 60335-2-69:2012</b>
<b>2014/30/EU</b>	<b>EN 55014-1:2017+A11:2020</b> <b>EN 55014-2:2015</b> <b>EN 61000-3-2:2014</b> <b>EN 61000-3-3:2013</b>
<b>2011/65/EU</b>	<b>EN 63000:2018</b>

Authorized signatory:

Pierre Mikaelsson, Executive Vice President, Global Products & Services, Nilfisk NLT

Dec 8, 2021





## UK Declaration of Conformity

We,  
Nilfisk Ltd  
Nilfisk House, Bowerbank Way Gilwilly Industrial Estate  
Penrith Cumbria  
CA11 9BQ UK

Hereby declare under our sole responsibility that the

Products: VAC - Commercial - Wet/Dry  
Description: 220-240V, 110-120V 50-60Hz, IPX4  
Type: ATTIX 961-01, ATTIX 965-21 SD XC

Are in compliance with the following standards:

EN 60335-1:2012+A11:2014+A13:2017  
EN 60335-2-69:2012  
EN 55014-1:2017+A11:2020  
EN 55014-2:2015  
EN 61000-3-2:2014  
EN 61000-3-3:2013  
EN 63000:2018

Following the provisions of:

Supply of Machinery (Safety) Regulations 2008/1597  
Electromagnetic Compatibility Regulations 2016/1091  
The Restriction of the Use of Certain Hazardous Substances in Electrical and Electronic Equipment  
Regulations 2012/3032

Penrith, 20-1-2021

A handwritten signature in black ink, appearing to read 'Stewart Dennett', written over a horizontal line.

Stewart Dennett  
GM/MD



## HEAD QUARTER

### DENMARK

Nilfisk A/S  
Kornmarksvej 1  
DK-2605 Broendby  
Tel.: (+45) 4323 8100  
www.nilfisk.com

## SALES COMPANIES

### ARGENTINA

Nilfisk Argentina  
Herrera 1855 Piso 4° B Ofic 405  
Ciudad de Buenos Aires  
Tel.: (+54) 11 6091 1576  
www.nilfisk.com.ar

### AUSTRALIA

Nilfisk Pty Ltd  
Unit 1/13 Bessemer Street  
Blacktown NSW 2148  
Tel.: (+61) 2 98348100  
www.nilfisk.com.au

### AUSTRIA

Nilfisk GmbH  
Metzgerstrasse 68  
5101 Bergheim bei Salzburg  
Tel.: (+43) 662 456 400 90  
www.nilfisk.at

### BELGIUM

Nilfisk n.v.s.a.  
Riverside Business Park  
Boulevard Internationalelaan 55  
Bâtiment C3/C4 Gebouw  
Bruxelles 1070  
Tel.: (+32) 24 67 60 50  
www.nilfisk.be

### BRAZIL

Nilfisk do Brasil  
Av. Eng. Luis Carlos Berrini, 550  
40 Andar, Sala 03  
SP - 04571-000 Sao Paulo  
Tel.: (+11) 3959-0300 / 3945-4744  
www.nilfisk.com.br

### CANADA

Nilfisk Canada Company  
240 Superior Boulevard  
Mississauga, Ontario L5T 2L2  
Tel.: (+1) 800-668-8400  
www.nilfisk.ca

### CHILE

Nilfisk S.A. (Comercial KCS Ltda)  
Salar de Llamara 822  
8320000 Santiago  
Tel.: (+56) 2684 5000  
www.nilfisk.cl

### CHINA

Nilfisk  
4189 Yindu Road  
Xinzhuan Industrial Park  
201108 Shanghai  
Tel.: (+86) 21 3323 2000  
www.nilfisk.cn

### CZECH REPUBLIC

Nilfisk s.r.o.  
VGP Park Horní Počernice  
Do Čertous 1/2658  
193 00 Praha 9  
Tel.: (+420) 244 090 912  
www.nilfisk.cz

### DENMARK

Nilfisk Danmark A/S  
Industrivej 1  
Hadsund, DK-9560  
Tel.: 72 18 21 20  
www.nilfisk.dk

### FINLAND

Nilfisk Oy Ab  
Koskelontie 23 E  
02920 Espoo  
Tel.: (+358) 207 890 600  
www.nilfisk.fi

### FRANCE

Nilfisk SAS  
26 Avenue de la Baltique  
Villebon sur Yvette  
91978 Courtabouef Cedex  
Tel.: (+33) 169 59 87 00  
www.nilfisk.fr

### GERMANY

Nilfisk GmbH  
Guido-Oberdorfer-Straße 2-10  
89287 Bellenberg  
Tel.: (+49) (0)7306/72-444  
www.nilfisk.de

### GREECE

Nilfisk A.E.  
Αναπαύσεως 29  
Κορωπί T.K. 194 00  
Tel.: (30) 210 9119 600  
www.nilfisk.gr

### HOLLAND

Nilfisk B.V.  
Versterkerstraat 5  
1322 AN Almere  
Tel.: (+31) 036 5460760  
www.nilfisk.nl

### HONG KONG

Nilfisk Ltd.  
2001 HK Worsted Mills  
Industrial Building  
31-39, Wo Tong Tsui St.  
Kwai Chung, N.T.  
Tel.: (+852) 2427 5951  
www.nilfisk.com

### HUNGARY

Nilfisk Kft.  
II. Rákóczi Ferenc út 10  
2310 Szigetszentmiklós-Lakihegy  
Tel.: (+36) 24 475 550  
www.nilfisk.hu

### INDIA

Nilfisk India Limited  
Pramukh Plaza, 'B' Wing, 4th floor,  
Unit No. 403  
Cardinal Gracious Road, Chakala  
Andheri (East) Mumbai 400 099  
Tel.: (+91) 22 6118 8188  
www.nilfisk.in

### IRELAND

Nilfisk  
1 Stokes Place  
St. Stephen's Green  
Dublin 2  
Tel.: (+35) 3 12 94 38 38  
www.nilfisk.ie

### ITALY

Nilfisk SpA  
Strada Comunale della Braglia, 18  
26862 Guardamiglio (LO)  
Tel.: (+39) (0) 377 414021  
www.nilfisk.it

### JAPAN

Nilfisk Inc.  
1-6-6 Kita-shinyokohama, Kouhoku-ku  
Yokohama, 223-0059  
Tel.: (+81) 45548 2571  
www.nilfisk.com

### MALAYSIA

Nilfisk Sdn Bhd  
Sd 33, Jalan KIP 10  
Taman Perindustrian KIP  
Sri Damansara  
52200 Kuala Lumpur  
Tel.: (60) 3603 627 43 120  
www.nilfisk.com

### MEXICO

Nilfisk de Mexico, S. de R.L. de C.V.  
Pirineos #515 Int.  
60-70 Microparque  
Industrial WSantiago  
76120 Queretaro  
Tel.: (+52) (442) 427 77 00  
www.nilfisk.com

### NEW ZEALAND

Nilfisk Limited  
Suite F, Building E  
42 Tawa Drive  
0632 Albany Auckland  
Tel.: (+64) 9 414 1996  
Website: www.nilfisk.com

### NORWAY

Nilfisk AS  
Bjørnerudveien 24  
1266 Oslo  
Tel.: (+47) 22 75 17 80  
www.nilfisk.no

### PERU

Nilfisk S.A.C.  
Calle Boulevard 162, Of. 703, Lima  
33- Perú  
Lima  
Tel.: (511) 435-6840  
www.nilfisk.com

### POLAND

Nilfisk Sp. Z.O.O.  
Millenium Logistic Park  
ul. 3 Maja 8, Bud. B4  
05-800 Pruszków  
Tel.: (+48) 22 738 3750  
www.nilfisk.pl

### PORTUGAL

Nilfisk Lda.  
Sintra Business Park  
Zona Industrial Da Abrunheira  
Edifício 1, 1° A  
P2710-089 Sintra  
Tel.: (+351) 21 911 2670  
www.nilfisk.pt

### RUSSIA

Nilfisk LLC  
Vyatskaya str. 27, bld. 7/1st  
127015 Moscow  
Tel.: (+7) 495 783 9602  
www.nilfisk.ru

### SINGAPORE

Den-Sin  
22 Tuas Avenue 2  
639453 Singapore  
Tel.: (+65) 6268 1006  
www.densin.com

### SLOVAKIA

Nilfisk s.r.o.  
Bancikovej 1/A  
SK-821 03 Bratislava  
Tel.: (+421) 910 222 928  
www.nilfisk.sk

### SOUTH AFRICA

Nilfisk (Pty) Ltd  
Kimbult Office Park  
9 Zeiss Road  
Laser Park  
Honeydew  
Johannesburg  
Tel.: +27118014600  
www.nilfisk.co.za

### SOUTH KOREA

Nilfisk Korea  
#204 2F Seoulsup Kolon Digital  
Tower  
25 Seongsuil-ro 4-gil, Seongdong-gu  
Seoul.  
Tel.: (+ 82) 2 3474 4141  
www.nilfisk.co.kr

### SPAIN

Nilfisk S.A.  
Torre d'Ara,  
Passeig del Rengle, 5 Plta. 10ª  
08302 Mataró  
Tel.: (34) 93 741 2400  
www.nilfisk.es

### SWEDEN

Nilfisk AB  
Taljegårdsgatan 4  
431 53 Mölndal  
Tel.: (+46) 31 706 73 00  
www.nilfisk.se

### SWITZERLAND

Nilfisk AG  
Ringstrasse 19  
Kircheberg/Industri Stelz  
9500 Wil  
Tel.: (+41) 71 92 38 444  
www.nilfisk.ch

### TAIWAN

Nilfisk Ltd  
Taiwan Branch (H.K.)  
No. 5, Wan Fang Road  
Taipei  
Tel.: (+88) 6227 00 22 68  
www.nilfisk.tw

### THAILAND

Nilfisk Co. Ltd.  
89 Soi Chokechai-Ruammitr  
Viphavadee-Rangsit Road  
Ladyao, Jatuchak, Bangkok 10900  
Tel.: (+66) 2275 5630  
www.nilfisk.co.th

### TURKEY

Nilfisk S.A.  
Serifali Mh. Bayraktar Bulv. Sehiz  
Sk. No:7  
Ümraniye, 34775 Istanbul  
Tel.: +90 216 466 94 94  
www.nilfisk.com.tr

### UNITED ARAB EMIRATES

Nilfisk Middle East Branch  
SAIF-Zone  
P.O. Box 122298  
Sharjah  
Tel.: (+971) (0) 655-78813  
www.nilfisk.com

### UNITED KINGDOM

Nilfisk Ltd.  
Nilfisk House, Bowerbank Way  
Gilwilly Industrial Estate, Penrith  
Cumbria CA11 9BQ  
Tel.: (+44) (0) 1768 868995  
www.nilfisk.co.uk

### UNITED STATES

Nilfisk, Inc.  
9435 Winnetka Ave N,  
Brooklyn Park  
MN- 55445  
www.nilfisk.com

### VIETNAM

Nilfisk Vietnam  
No. 51 Doc Ngu Str.  
P. Vinh Phúc, Q.Ba Dinh  
Hanoi  
Tel.: (+84) 761 5642  
www.nilfisk.com

