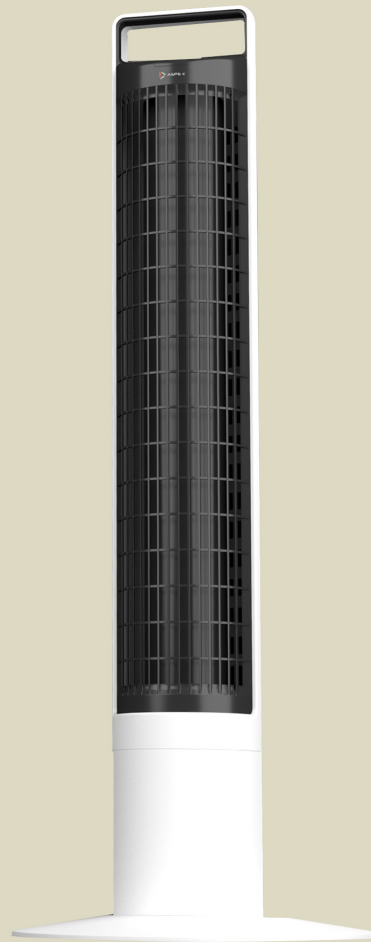




TOWER FAN OWNER'S MANUAL







WARNING

IMPORTANT SAFETY INSTRUCTIONS

Please read and save these instructions before using this Fan

When using electrical appliances, these instructions and warnings should always be followed to reduce the risk of fire, electrical shock and injury to persons:

- The fan should not be left unattended when plugged into a power supply. The fan must be unplugged before maintenance or when not in use.
- DO NOT leave children unsupervised near the fan to ensure that they do not play with the appliance.
- DO NOT use of attachments not recommended by the manufacturer which may result in fire, electric shock or injury to people.
- DO NOT operate any appliances with a damaged cord or plug to prevent any malfunctions or damage to the fan.
- DO NOT pull or clamp the power cord while moving the fan. Keep the cord away from sharp edges. Do not place the cord near any heated surfaces or areas.
- DO NOT unplug by pulling on the cord. Remove the plug directly.
- Consult a qualified electrician when there is a loose fit between the AC outlet and plug. It may cause overheating of the plug.





WARNING

IMPORTANT SAFETY INSTRUCTIONS

Please read and save these instructions before using this Fan

When using electrical appliances, these instructions and warnings should always be followed to reduce the risk of fire, electrical shock and injury to persons:

- DO NOT use wet hands to grasp or hold the plug.
- DO NOT put any objects into the openings of the fan. Do not use the Tower fan if any of the opening is blocked. Reduce any dust, lint, hair and other substances as much as possible.
- Keep your hair, fingers and any part of your body away from openings and moving parts.
- When storing the power cord, gently hold the plug and avoid the plug from swinging when winding it up.
- DO NOT use the product under high heat and open flames.
- If the power cord is damaged, it must be replaced by the manufacturer or after-sales service department.
- DO NOT attempt to repair or adjust any electrical or mechanical functions on this unit.
Doing so will void your warranty. The inside of the unit contains no user serviceable parts.
All servicing should be performed by qualified personnel only.
- This appliance is not intended for use by persons (including children) with reduced physical, sensory or mental capabilities.





WARNING

IMPORTANT SAFETY INSTRUCTIONS

Please read and save these instructions before using this Fan

When using electrical appliances, these instructions and warnings should always be followed to reduce the risk of fire, electrical shock and injury to persons:

- Children should be supervised to ensure that they do not play with the appliance.
- Chemical Burn Hazard. Keep batteries away from children. This product contains a lithium button/coin cell battery. If a new or used lithium button/coin cell battery is swallowed or enters the body, it can cause severe internal burns and can lead to death in as little as 2 hours. Always completely secure the battery compartment. If the battery compartment does not close securely, stop using the product, remove the batteries, and keep it away from children. If you think batteries might have been swallowed or placed inside any part of the body, seek immediate medical attention.
- This appliance is intended to be used in household and similar applications such as:
 1. Staff kitchen areas in shops, offices and other working environments;
 2. Farm houses;
 3. By clients in hotels, motels and other residential type environments;
 4. Bed and breakfast type environments.





WARNING

IMPORTANT SAFETY INSTRUCTIONS

Please read and save these instructions before using this Fan

When using electrical appliances, these instructions and warnings should always be followed to reduce the risk of fire, electrical shock and injury to persons:


- Keep batteries out of reach of children
- This product contains a lithium battery in the remote. Due to their small size, lithium batteries can be swallowed by children. Ingesting of these types batteries has been known to cause death.
- Swallowing the battery may lead to injuries in as little as 2 hours. If you suspect your child has swallowed a button cell battery, seek immediate urgent medical assistance.
- Make sure the battery compartment on the remote is securely fastened and closed.

If the battery compartment does not close securely, do not use the product and remove the batteries.

Keep the batteries away from children.

- Dispose any used button cell batteries in a safe manner.

Do not leave any used button cell batteries where a child could reach them as they can still be dangerous.

⚠ WARNING	
<ul style="list-style-type: none">• INGESTION HAZARD: This product contains a button cell or coin battery.• DEATH or serious injury can occur if ingested.• A swallowed button cell or coin battery can cause Internal Chemical Burns in as little as 2 hours.• KEEP new and used batteries OUT OF REACH of CHILDREN• Seek immediate medical attention if a battery is suspected to be swallowed or inserted inside any part of the body.	





WARNING

IMPORTANT SAFETY INSTRUCTIONS

Please read and save these instructions before using this Fan

When using electrical appliances, these instructions and warnings should always be followed to reduce the risk of fire, electrical shock and injury to persons:

- The fan has a safety trigger located near the top of the tower motor. DO NOT press down on this trigger while the fan is plugged in to a power outlet. Doing so will cause the fan motor to rotate which may cause damage or injury.

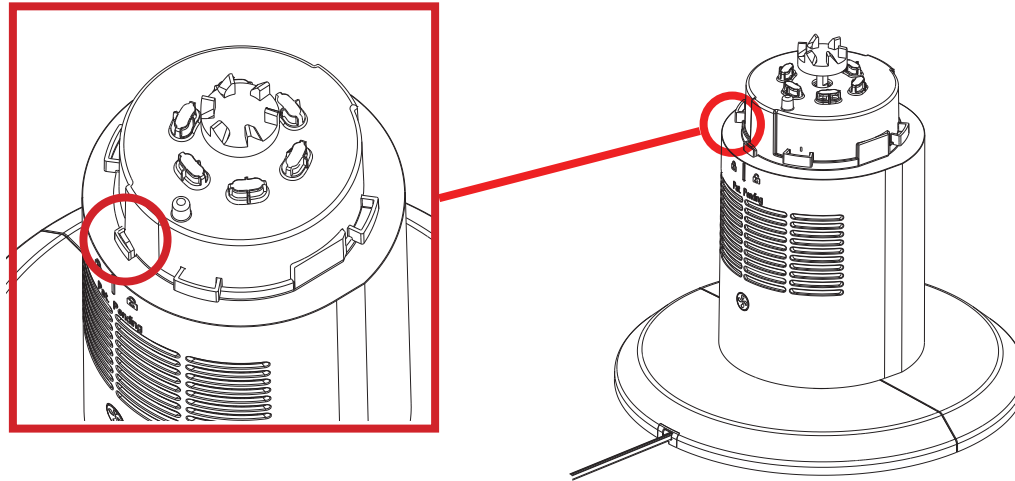


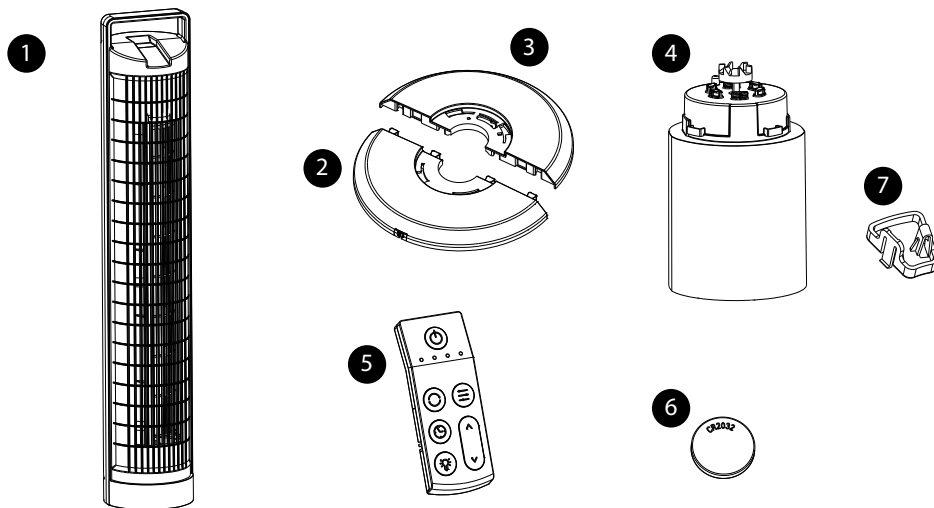


Table of Content

Parts Includes	1
Product Assembly	2
Remote Control Operation	7
Remote Control Battery Replacement	9
Fuse Replacement	10
Cleaning	11
Storage	12
Troubleshooting	13
FCC Statement	15
Warranty	16



Parts Includes

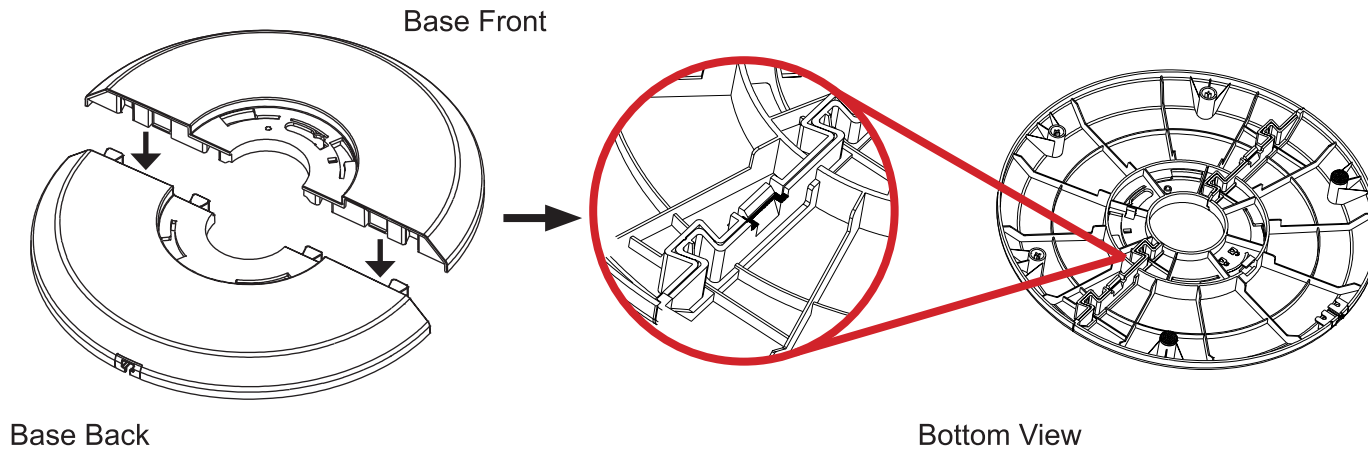


ITEM	PARTS
1	Fan Body
2	Base Back
3	Base Front
4	Tower Motor
5	Remote Control
6	Button Cell Battery (located in the remote control)
7	Lock

Product Assembly

STEP 1:

The base of the tower fan must be in place to use the fan. The base is comprised of two parts. Attach the base together by aligning the open slots from the Base Front to the pegs from the Base Back. Once it is aligned, push down the Base Front onto the Base Back until the clips lock into place.

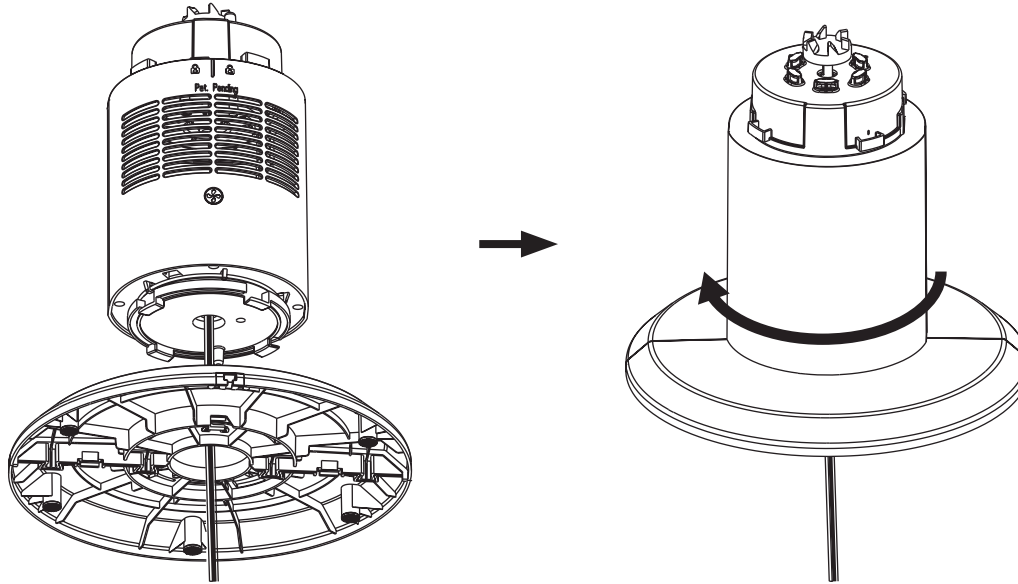




Product Assembly

STEP 2:

Place the Tower Motor onto the base with the cord going through the hole first and aligning the peg with the peg slot. Twist the tower motor clockwise until the peg locks into place.

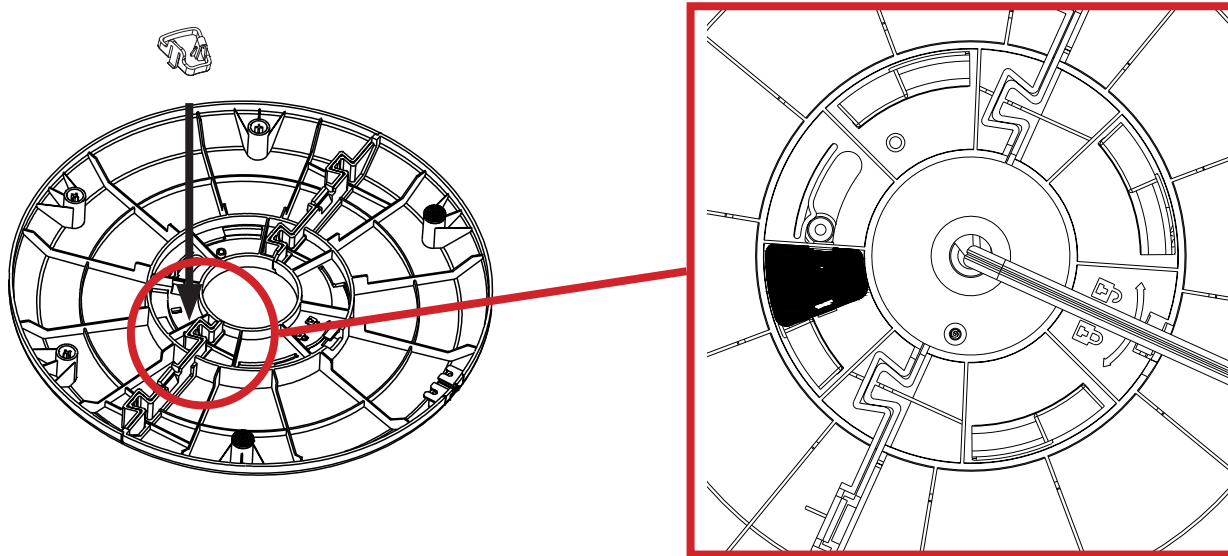




Product Assembly

STEP 3:

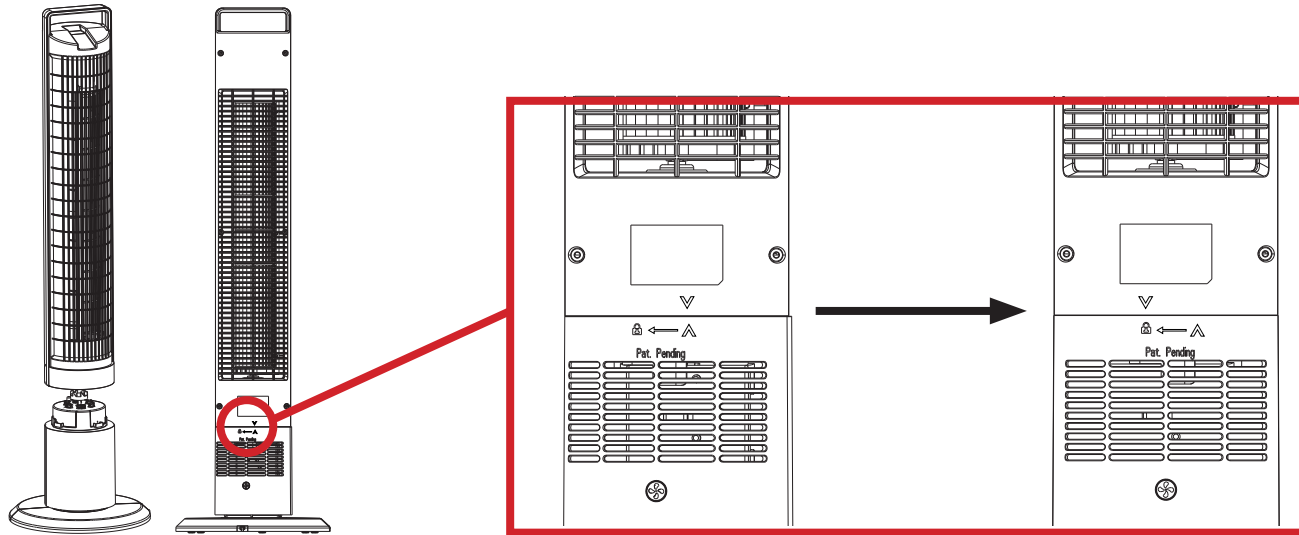
Insert the lock in the space next to the peg as shown below to lock the motor in place.



Product Assembly

STEP 4:

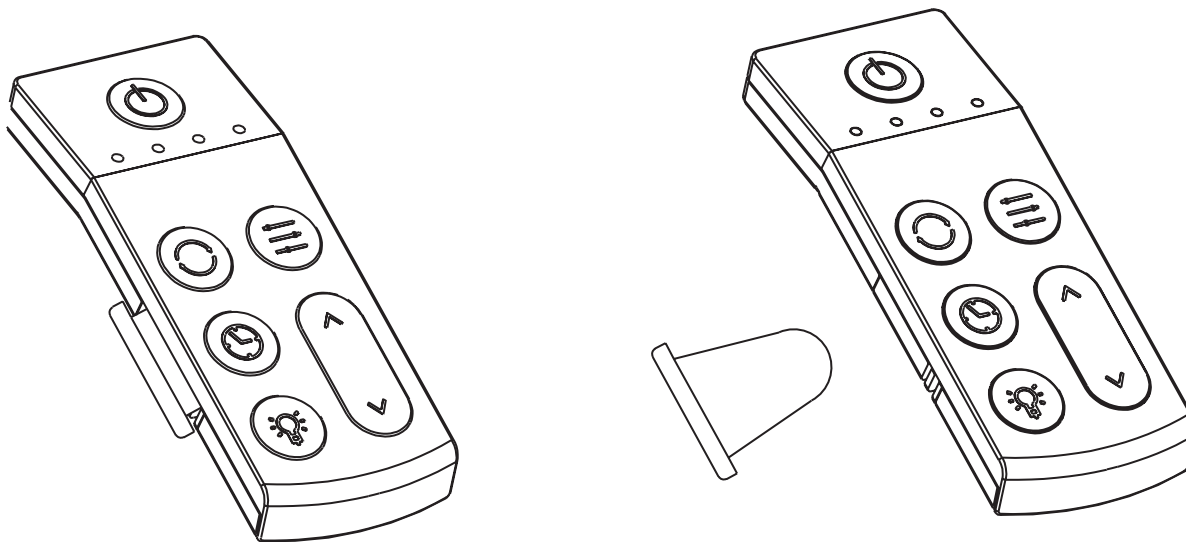
Take the fan body and place the tower onto the motor. On the back of the fan body, use the line and align it on top of the lock image on the tower motor. Once it is lined up and the fan body slips down into place, use the handle on the top of the fan body and turn it clockwise until it locks.



Product Assembly

STEP 5:

Plug in the power plug into an outlet. Take out the remote and remove the plastic tab.
Your fan is now ready to use



Remote Control Operation

Power

On/Off

Oscillation

On/Off

Timer

1 Hour - 1 Light

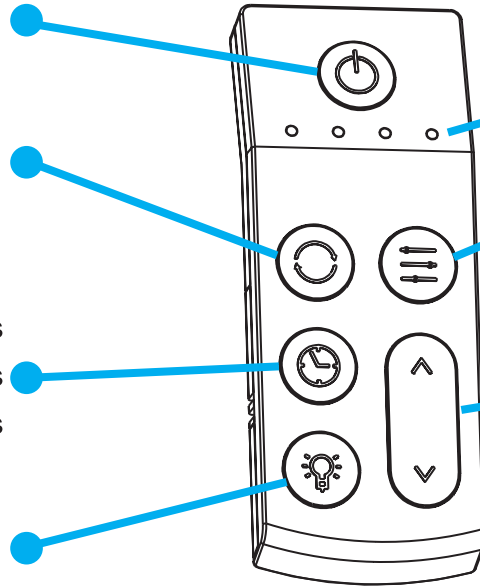
2 Hours - 2 Lights

4 Hours - 3 Lights

8 Hours - 4 Lights

Night Light

Colors: White,
Blue, Yellow



Indicator Light

Mode

Breeze - 2 Lights on Left

Sleep - 2 Lights on Right

Mode Off - No Light

Fan Speed

Level 1 - 1 Light

Level 2 - 2 Lights

Level 3 - 3 Lights

Level 4 - 4 Lights

Remote Control Operation

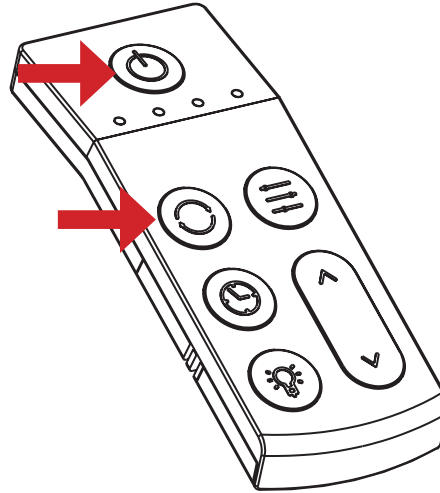
Your remote should already be pre-paired with the tower fan. If you received a new or replacement remote, you may follow the pairing and unpairing instruction below.

Pairing the Remote

While the fan is plugged in, on the remote press the “Power” and “Oscillation” button at the same time for 3 seconds until you hear a beep from the fan. The pairing process is complete.

Pairing the Remote

Press and hold 3 seconds



Remote Control Battery Replacement

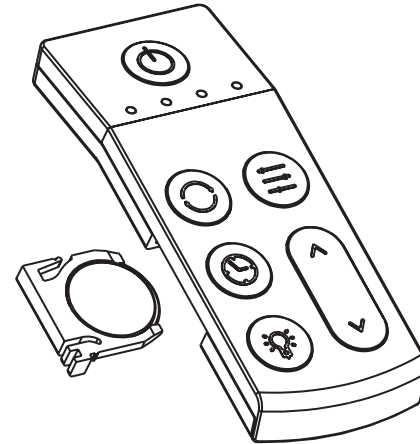
For first time operation, please remove the clear plastic tab on the remote control

To replace the battery

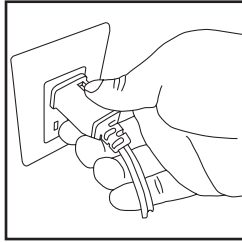
- Pull and slide out the tab on the right side of the remote to remove the battery compartment.
- Replace the battery with a CR2032 Lithium Battery 3V (replacement battery not included).
- Slide the tab back into position until it locks back into the remote.
- The batteries shall be disposed of properly, including keeping them away from children.
- Even used batteries may cause injury.

**DO NOT DISPOSE BATTERY IN FIRES.
THIS MAY CAUSE THE BATTERY TO EXPLODE OR LEAK.**

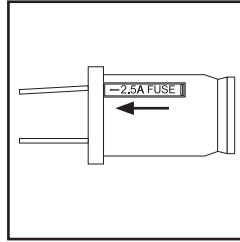
- This product contains a button cell battery. If swallowed, it could cause severe injury or death in just 2 hours. Seek medical attention immediately.



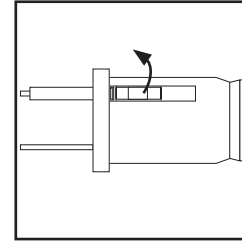
Fuse Replacement



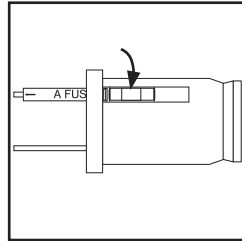
1. Grasp plug and remove from the receptacle or other outlet device. Do not unplug by pulling on cord.



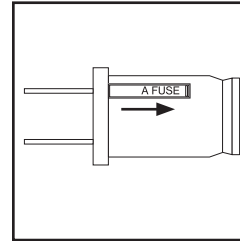
2. Open fuse cover. Slide open fuse access cover on top of attachment plug towards blades.



3. Remove fuse carefully. Push the fuse from the other side or turn fuse holder over to remove fuse.



4. Replace fuse. **Risk of fire: only use 2.5 Amp, 125 Volt fuse.**



5. Close fuse cover. Slide closed the fuse access cover on top of attachment plug.

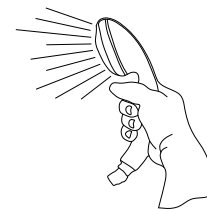
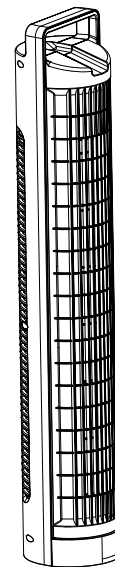
Cleaning

Fan Body

- Turn off your fan and unplug the power from the AC outlet.
- Unlock the fan body by holding the handle and twisting the fan counterclockwise.
- Pull off the fan body from the tower motor.
- Gently spray or rinse the fan body in water.
- Dry the fan body with a dry cloth.

Fan Motor and Base

- Unplug the fan from the AC outlet
- Use a soft cloth to wipe down the exterior.
- DO NOT use water or any other chemical solution or cleaner.
- DO NOT soak or immerse the Fan Motor in water or liquid.





Storage

- It is recommended to not fully disassemble the fan.
- Store in a dry place away from excessive heat and direct sunlight.
- DO NOT kink the power cord when storing or while in use.





Troubleshooting

The tower fan does not work properly?

- Check that the power plug of the tower fan is plugged in a 120 AC outlet
- Check to make sure that the outlet is not overloaded
- Check the power and make sure the tower fan is turned on
- Check that all parts are securely locked in place

The airflow has decreased

- Check that the air intake and exhaust are not blocked
- Check and make sure there are no objects obstructing the air flow intake
- The output may be blocked by dust. If so, follow the cleaning instructions on page 11

The remote controller does not operate the fan

- Make sure the battery is correctly installed. It requires 1 x CR2032 lithium battery 3V.
- Make sure the remote is pointed toward the fan
- Make sure the battery is not expired



Troubleshooting

How to turn on the fan if I lost my remote?

Please use the "emergency button" located on the back of the tower motor. The button only controls the fan speed. First press=level 4, second press=level 3, third press=level 2, fourth press=level 1 and the fifth press=Off.

The fan is not secure and moves during operation

- Make sure the fan base is securely fastened and clipped together
- Make sure the tower motor is securely locked onto the base
- Make sure the fan body is locked onto the tower motor

The fan(s) are missing parts

- Contact customer service at service@TheAspen.com or call +1 (877) 365-3464.



FCC Statement

This device complies with part 15 of the FCC Rules. Operation is subject to the following two conditions:

(1) This device may not cause harmful interference, and (2) this device must accept any interference received, including interference that may cause undesired operation.

Warning: Any changes or modifications to this unit not expressly approved by the party responsible for compliance could void the user's authority to operate the equipment.

Note: This equipment has been tested and found to comply with the limits for a Class B, digital device, pursuant to part 15 of the FCC Rules. These limits are designed to provide reasonable protection against harmful interference in a residential installation. This equipment generates, uses and can radiate radio frequency energy and, if not installed and used in accordance with the instructions, may cause harmful interference to radio communications. However, there is no guarantee that interference will not occur in a particular installation. If this equipment does cause harmful interference to radio or television reception, which can be determined by turning the equipment off and on, the user is encouraged to try to correct the interference by one or more of the following

measures:

- Reorient or relocate the receiving antenna.
- Increase the separation between the equipment and receiver.
- Connect the equipment into an outlet on a circuit different from that to which the receiver is connected.
- Consult the dealer or an experienced radio/TV technician for help.

TOWER FAN
ITEM MODEL: ASTF-A40-BLK
ASPEN APPLIANCE, INC.
Anaheim Hills, CA 92808
(877) 365-3464





Warranty

ONE YEAR LIMITED WARRANTY

The Company hereby warrants to the original retail purchaser of this product that, should this product or any part thereof, under normal use and conditions, be proven defective in material or workmanship within one year and 90 days labor from the date of original purchase, such defect(s) will be repaired or replaced with a reconditioned product (at the Company's option) for parts and repair labor. This limited warranty is the purchaser's exclusive remedy for any such defect(s).

To obtain repairs or replacement within the terms of this warranty,

Please visit www.theaspen.com or

Contact us at **1-877-365-3464**

Open **Mon-Fri 8am-5pm Pacific Time**

Proof of warranty coverage (i.e. – dated bill of sale) is required

This Warranty does not apply to any product or part thereof which, in the opinion of Company, has suffered or been damaged through alteration, improper installation, mishandling, misuse, neglect, accident, or by removal or defacement of the factory serial number/bar code label(s). The opinion of the Company with respect to this matter shall be final.



Warranty

THE EXTENT OF THE COMPANY'S LIABILITY UNDER THIS WARRANTY IS LIMITED TO THE REPAIR OR REPLACEMENT OF THE PRODUCT AS PROVIDED ABOVE, AND, IN NO EVENT, SHALL COMPANY'S LIABILITY EXCEED THE PURCHASE PRICE PAID BY THE PURCHASER FOR THE PRODUCT.

THIS WARRANTY IS IN LIEU OF ALL OTHER EXPRESS WARRANTIES OR LIABILITIES. ANY IMPLIED WARRANTIES, INCLUDING ANY IMPLIED WARRANTY OF MERCHANTABILITY, SHALL BE LIMITED TO THE DURATION OF THIS WRITTEN WARRANTY. ANY ACTION FOR BREACH OF ANY WARRANTY HEREUNDER, INCLUDING ANY IMPLIED WARRANTY OF MERCHANTABILITY, MUST BE BROUGHT WITHIN A PERIOD OF 12 MONTHS FROM THE DATE OF ORIGINAL PURCHASE. IN NO CASE SHALL THE COMPANY BE LIABLE FOR ANY CONSEQUENTIAL OR INCIDENTAL DAMAGES FOR BREACH OF THIS OR ANY OTHER WARRANTY EXPRESS OR IMPLIED WHATSOEVER.

No person or representative is authorized to assume for the Company's any liability other than expressed here-in in connection with the sale of this product. Some jurisdictions do not allow limitations on how long an implied warranty lasts or the exclusion or limitation of incidental or consequential damages, so the above limitations or exclusions may not apply to you. This warranty gives you specific legal rights and you may also have other rights, which vary from jurisdiction to jurisdiction.





Warranty



**Congratulations on your new Aspen
Washable Tower Fan!**



Scan to Register Your Warranty





Please Recycle

V ATF 22.1

