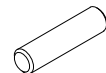


(A)\*84



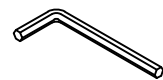
(B)\*84



(C)\*32  
8\*40



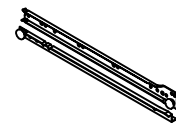
(D)\*20  
M6\*30



(E)\*1  
4MM



(F)\*42  
3.5\*14





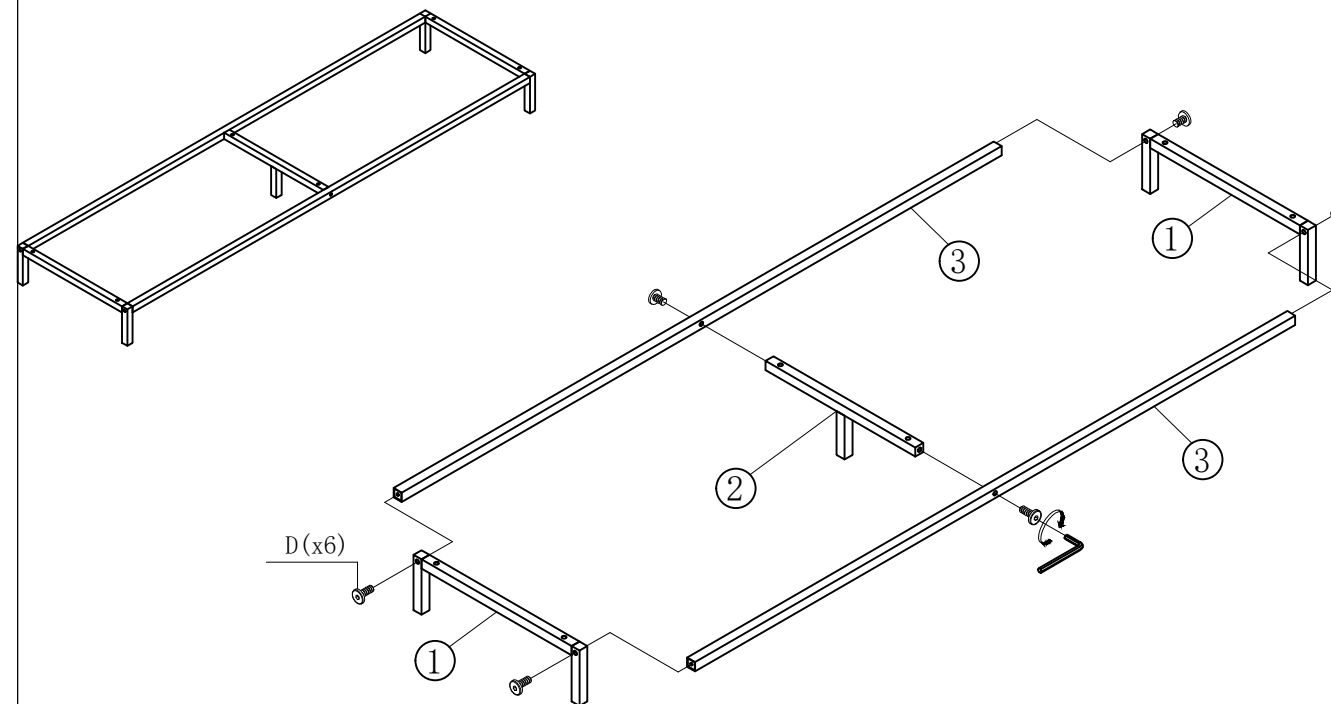
(G)\*3





(H)\*2  
M6\*25

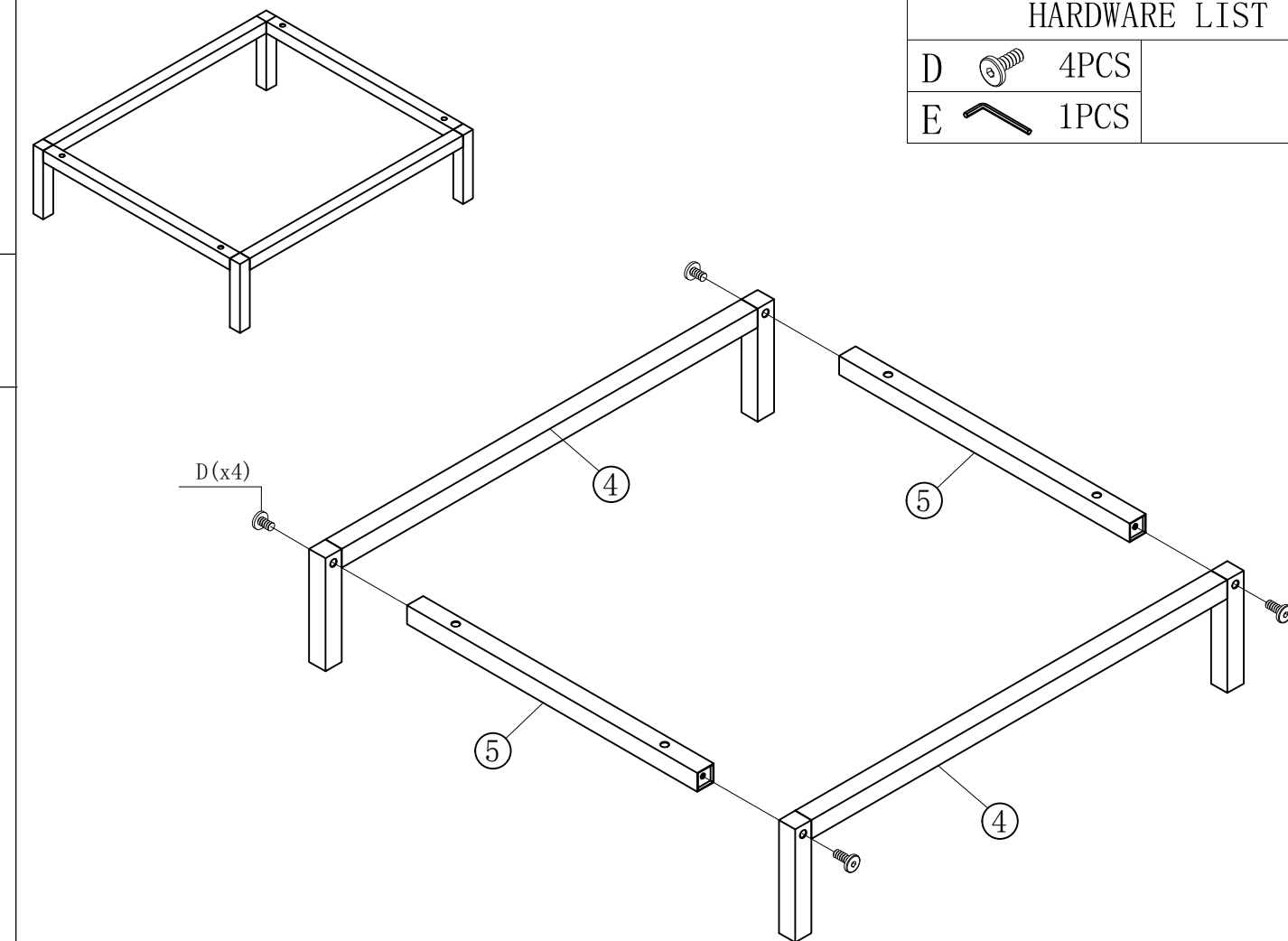
HARDWARE LIST

|   |   |      |
|---|---|------|
| D |  | 6PCS |
| E |  | 1PCS |



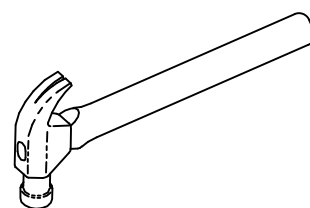
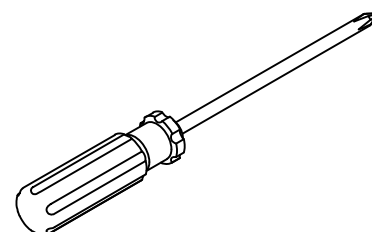
HARDWARE LIST




|   |   |      |
|---|---|------|
| D |  | 4PCS |
| E |  | 1PCS |

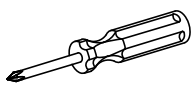
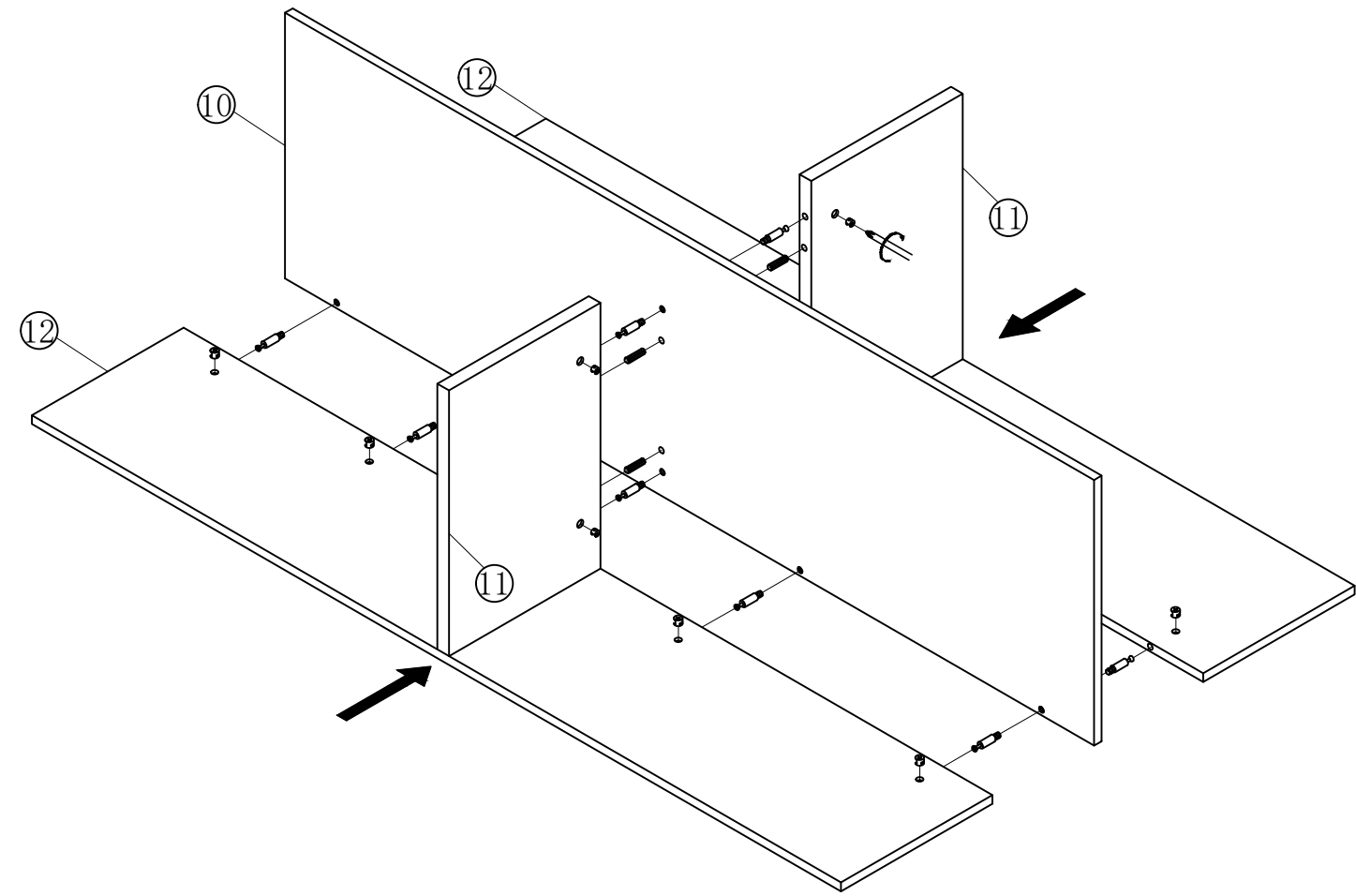
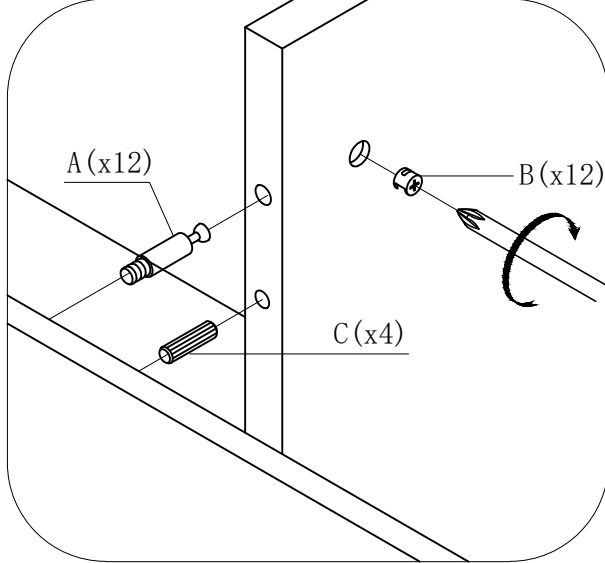
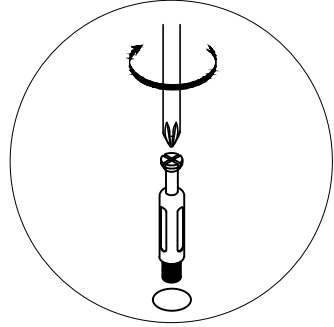





Special hardware  
removal instructions

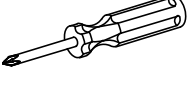
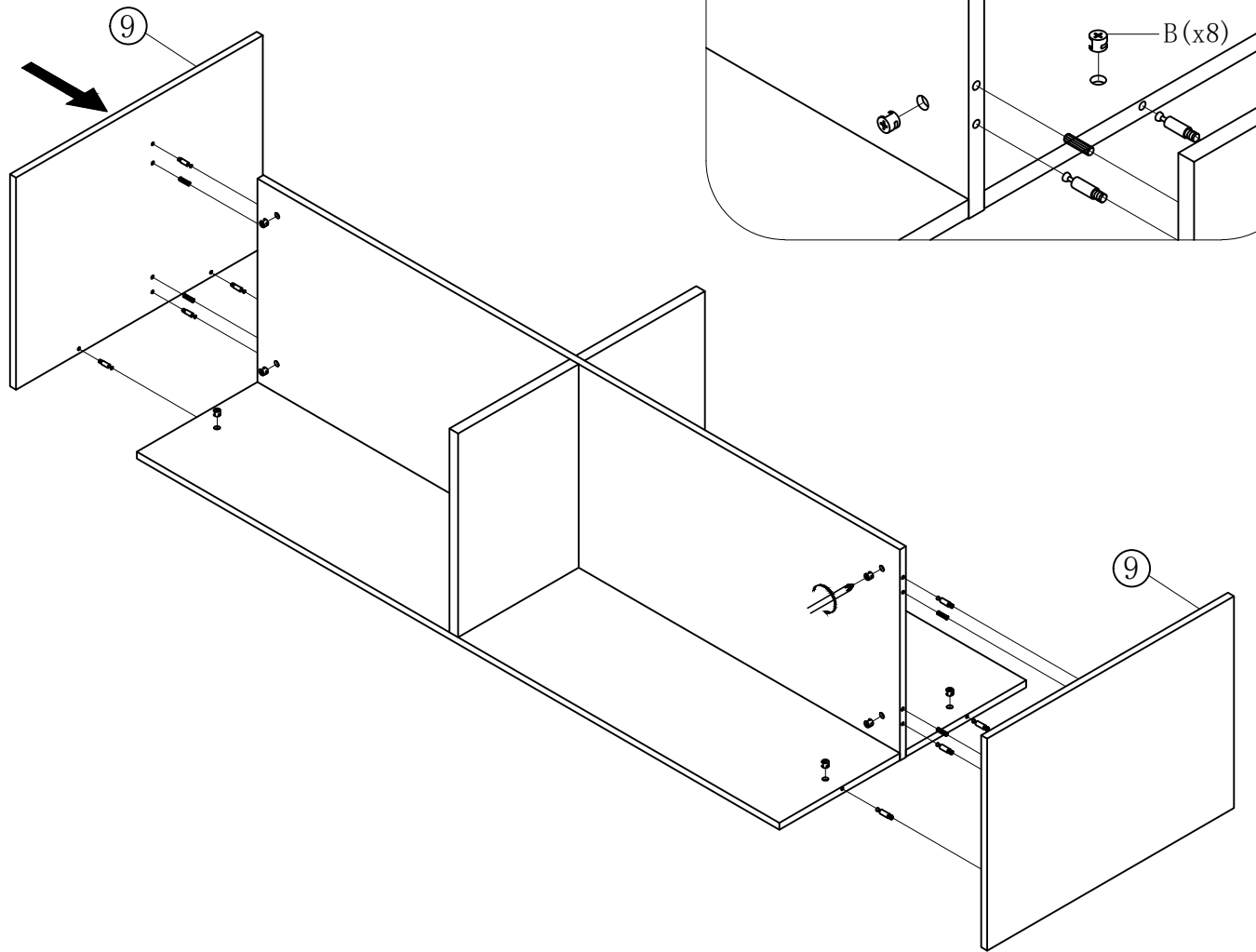
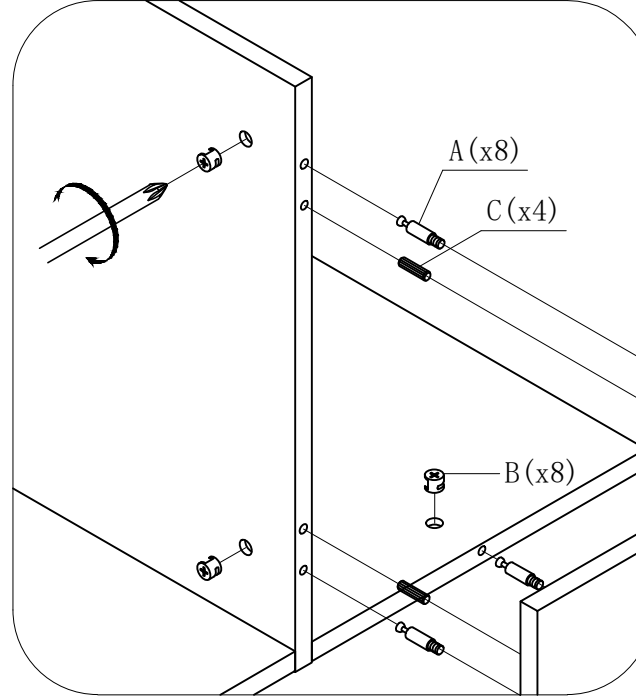
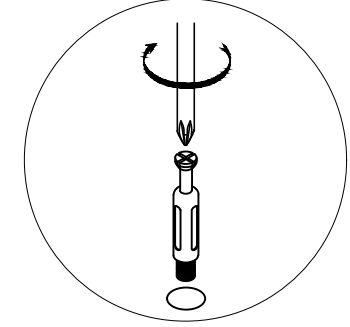
Installation-owned tool






| HARDWARE LIST |   |       |
|---------------|---|-------|
| A             |  | 12PCS |
| B             |  | 12PCS |
| C             |  | 4PCS  |

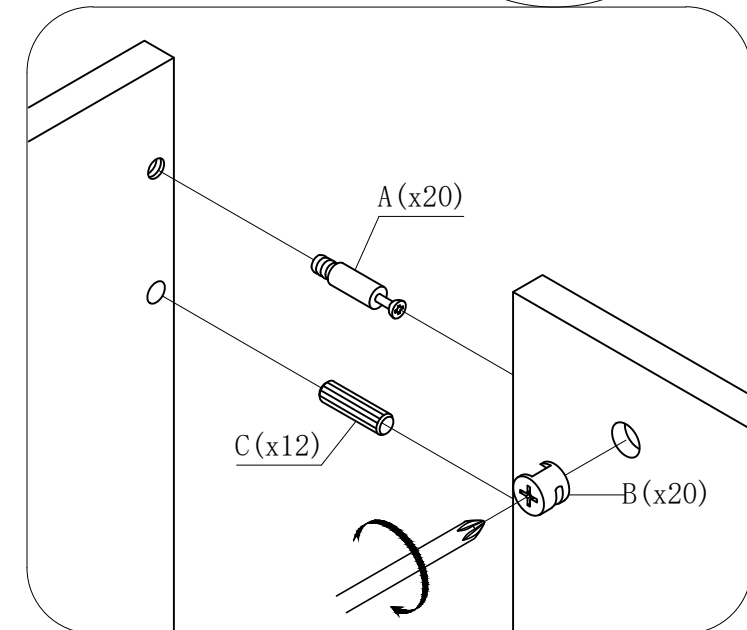
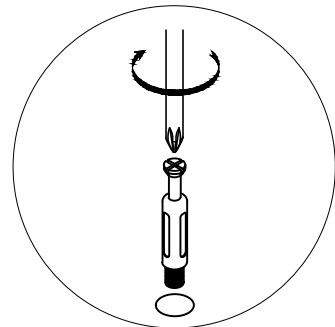
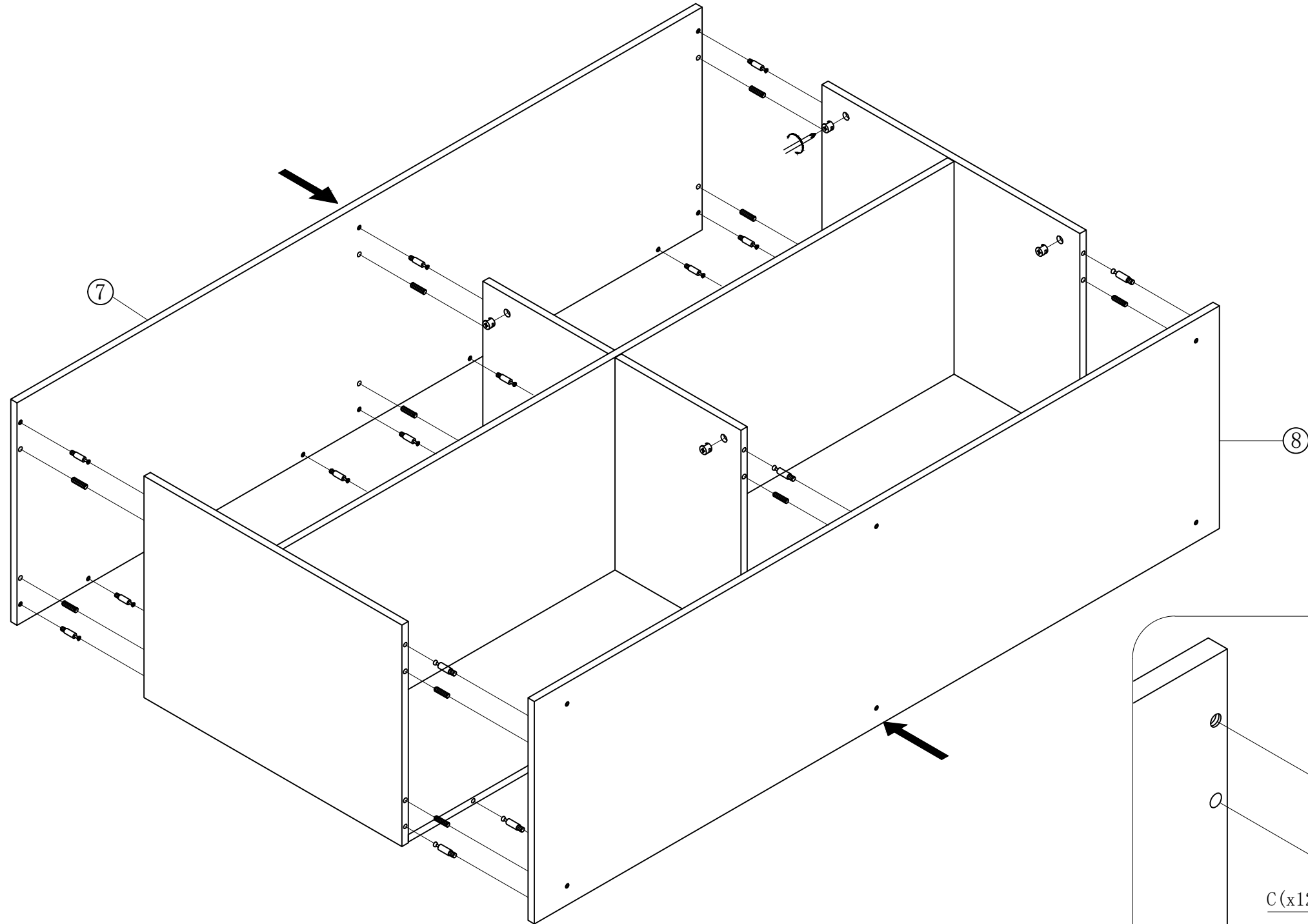
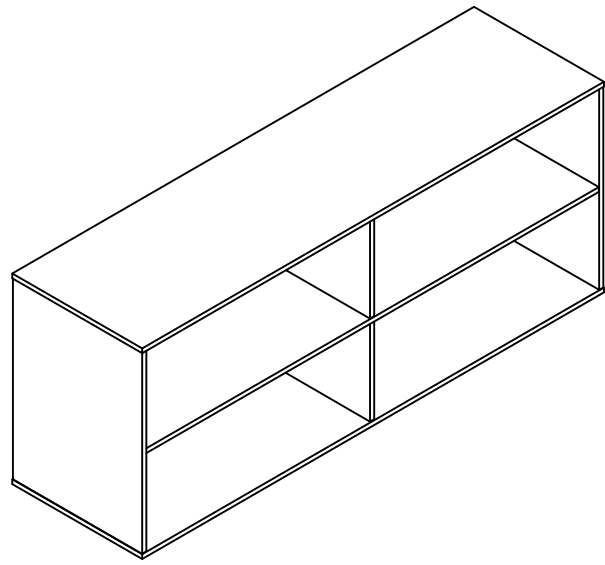
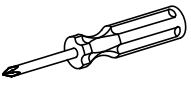



| HARDWARE LIST |   |      |
|---------------|---|------|
| A             |  | 8PCS |
| B             |  | 8PCS |
| C             |  | 4PCS |

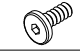

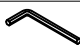



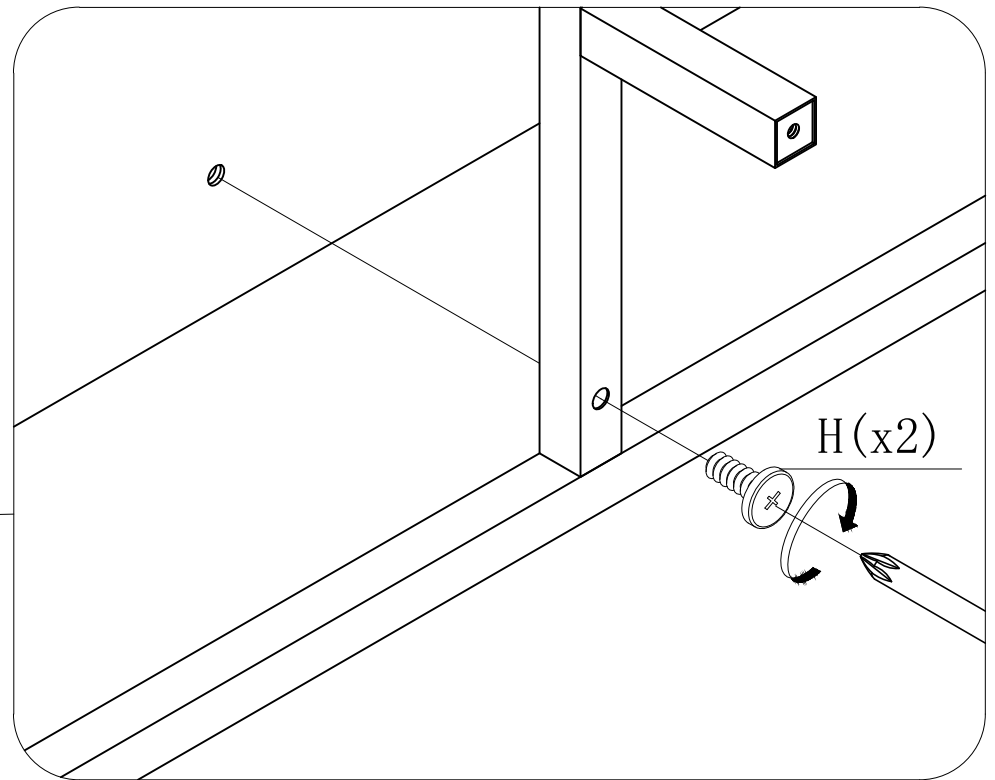
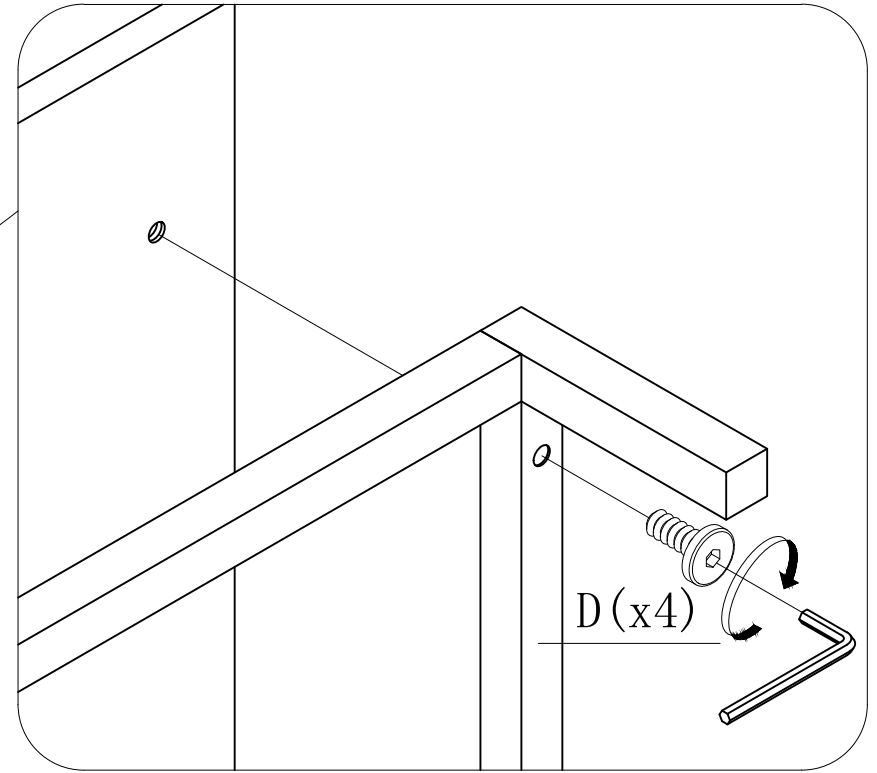
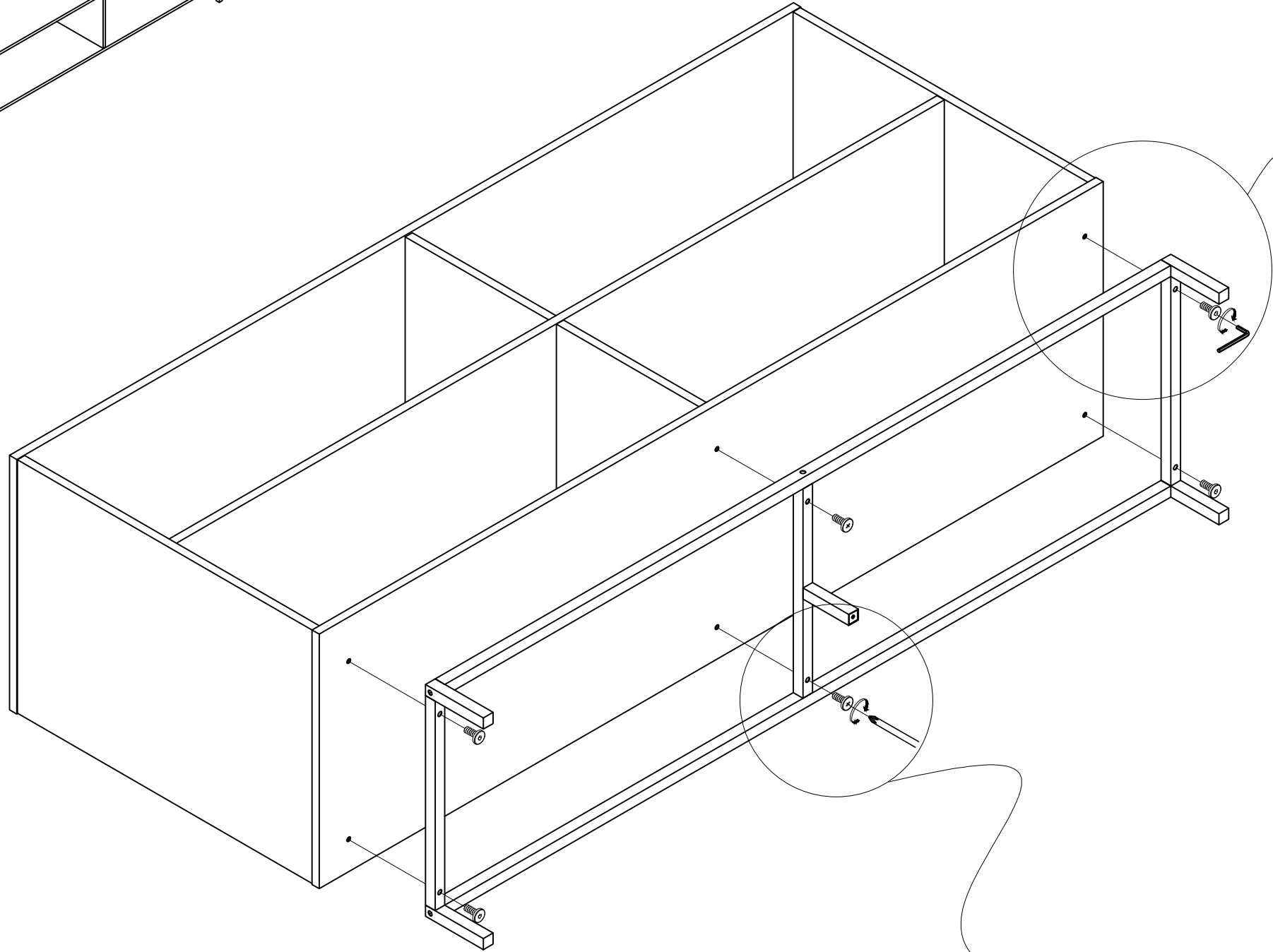
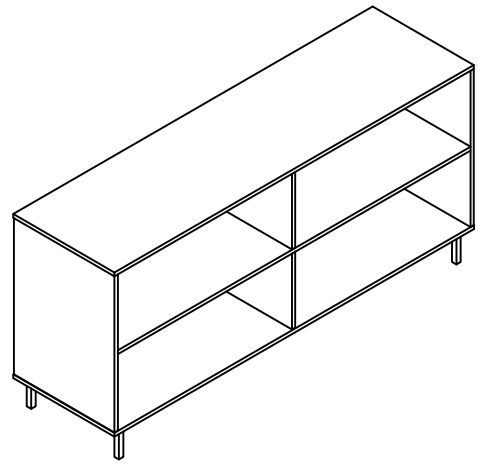
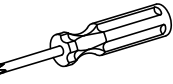
HARDWARE LIST

|   |   |       |
|---|---|-------|
| A |  | 20PCS |
| B |  | 20PCS |
| C |  | 12PCS |






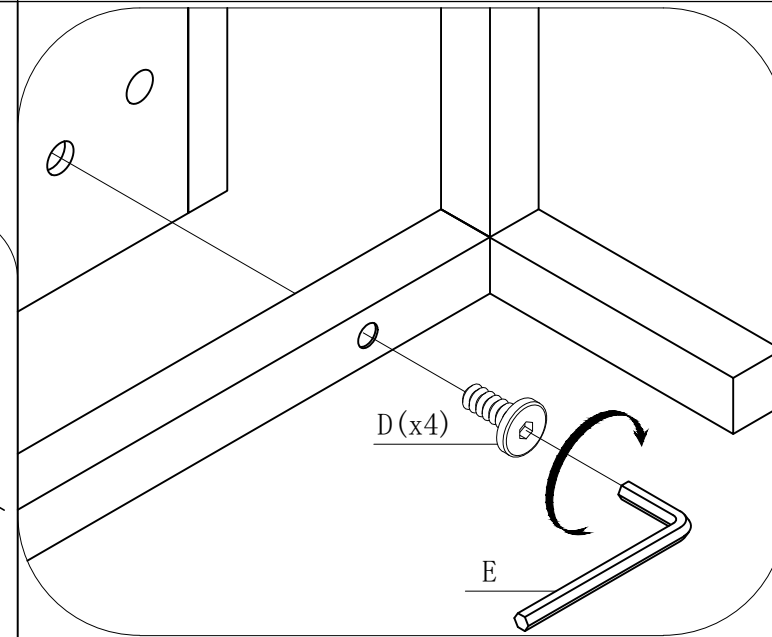
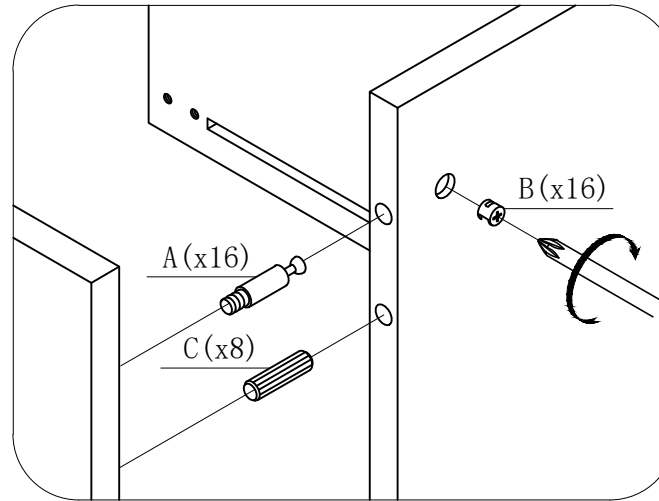
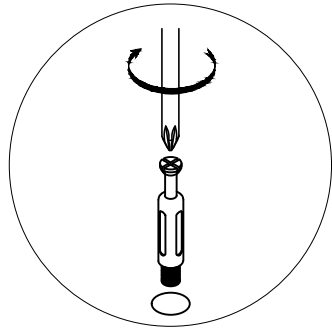
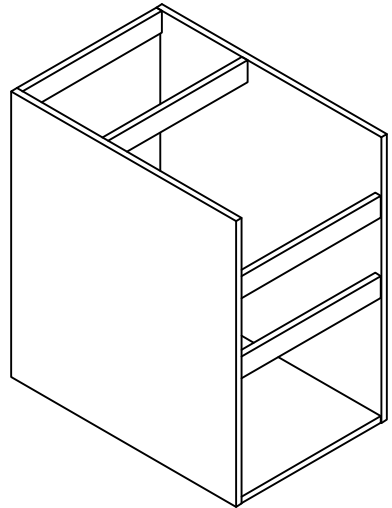
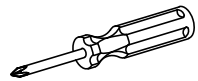
HARDWARE LIST

|   |   |      |
|---|---|------|
| D |  | 4PCS |
| H |  | 2PCS |
| E |  | 1PCS |





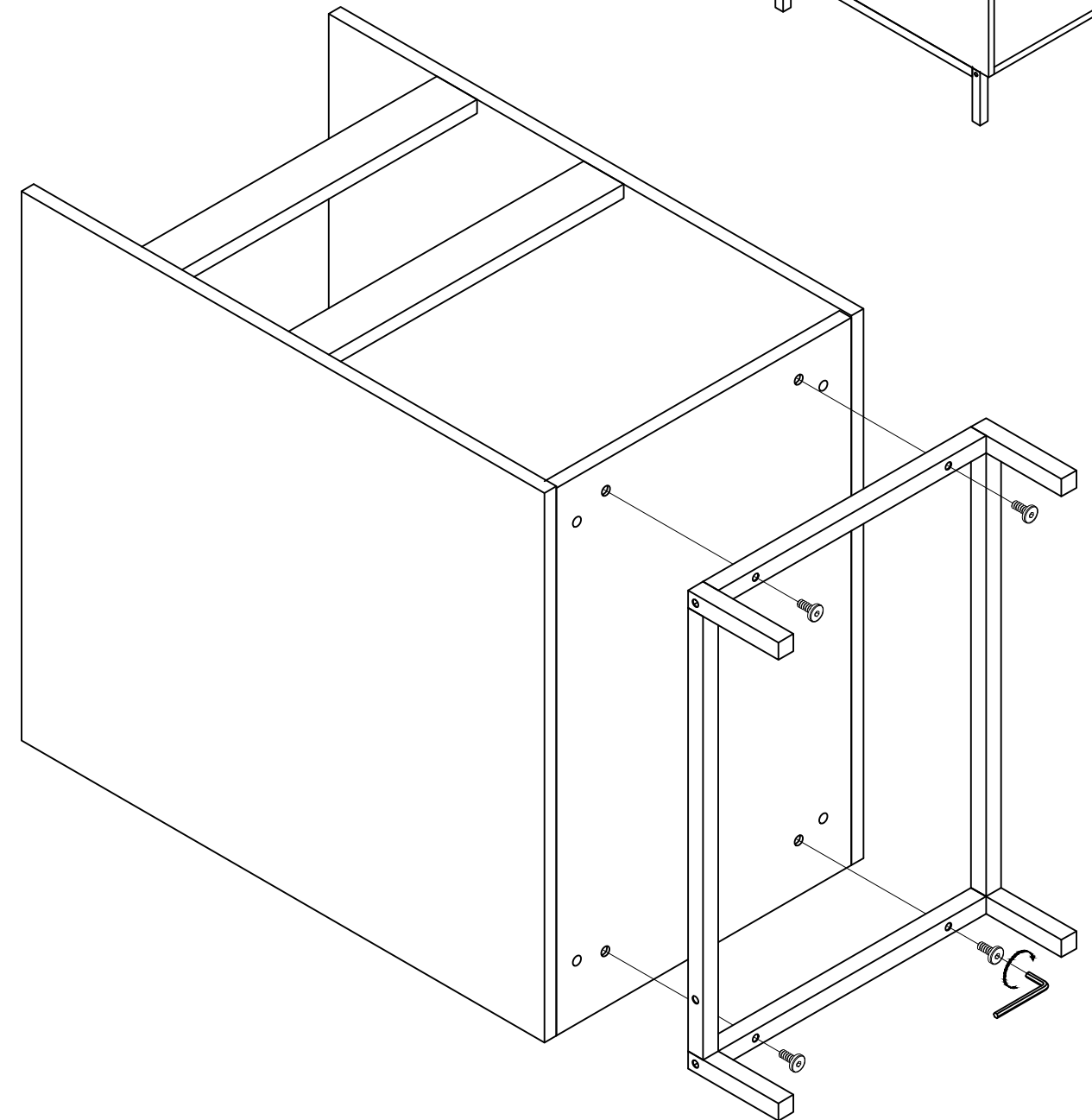
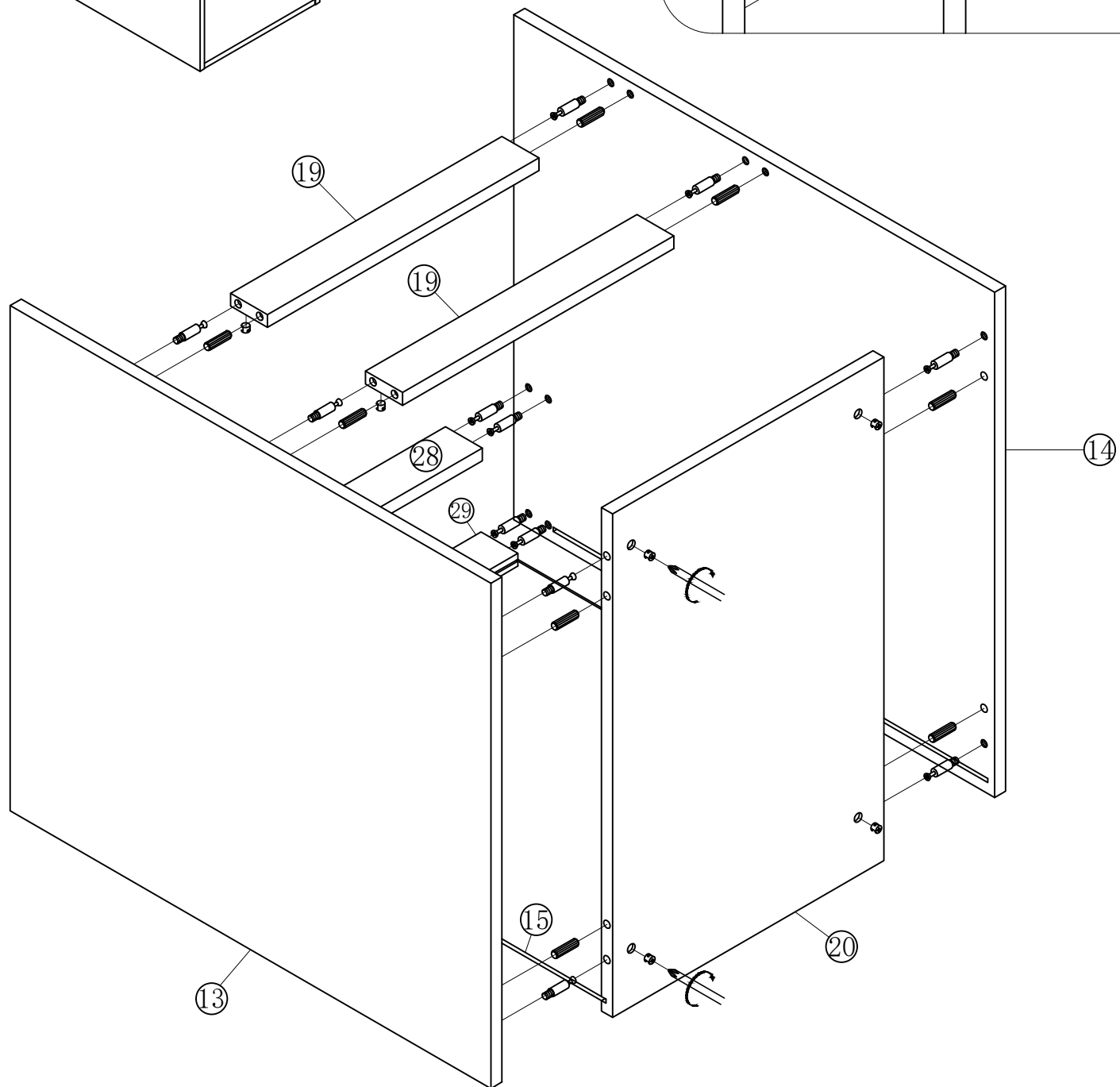
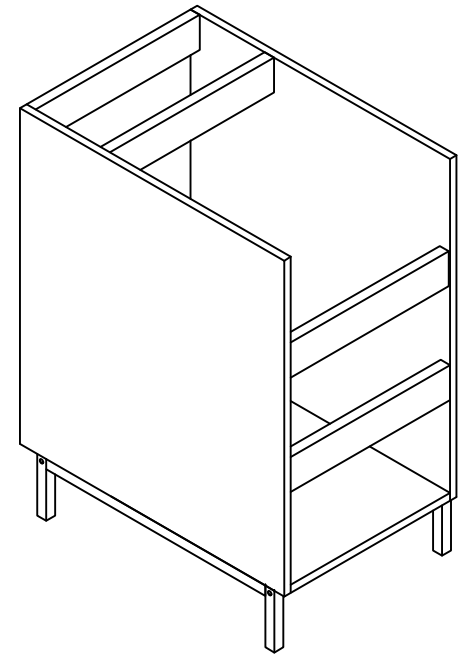
HARDWARE LIST

- A  16PCS
- C  8PCS
- B  16PCS





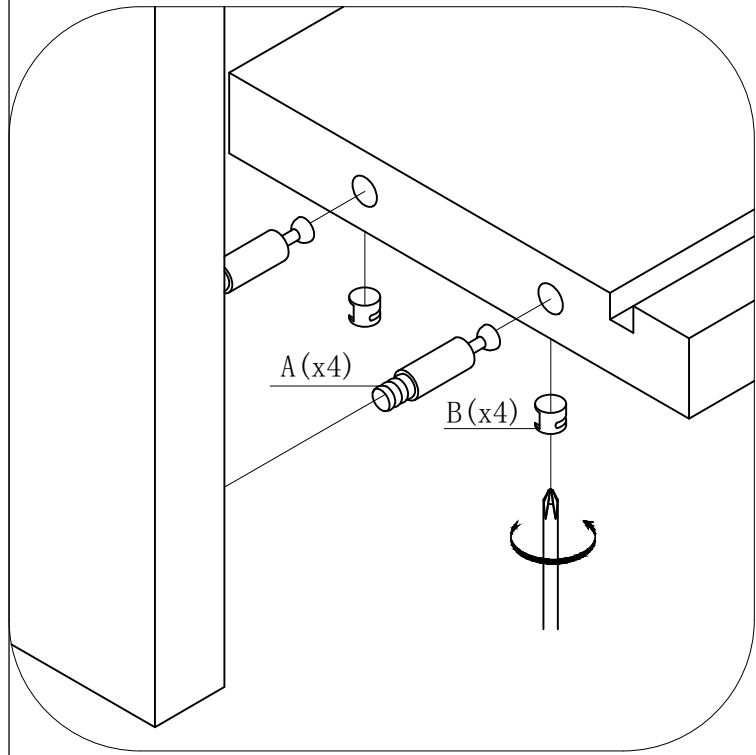
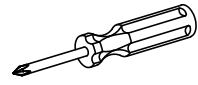
HARDWARE LIST

- D  4PCS
- E  1PCS



HARDWARE LIST

|   |   |      |
|---|---|------|
| A |  | 8PCS |
| B |  | 8PCS |



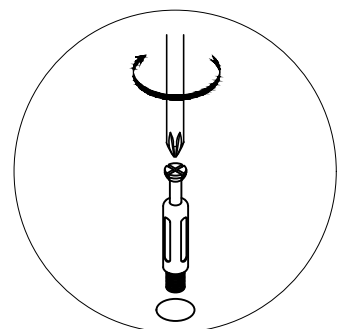
A (x4)

B (x4)

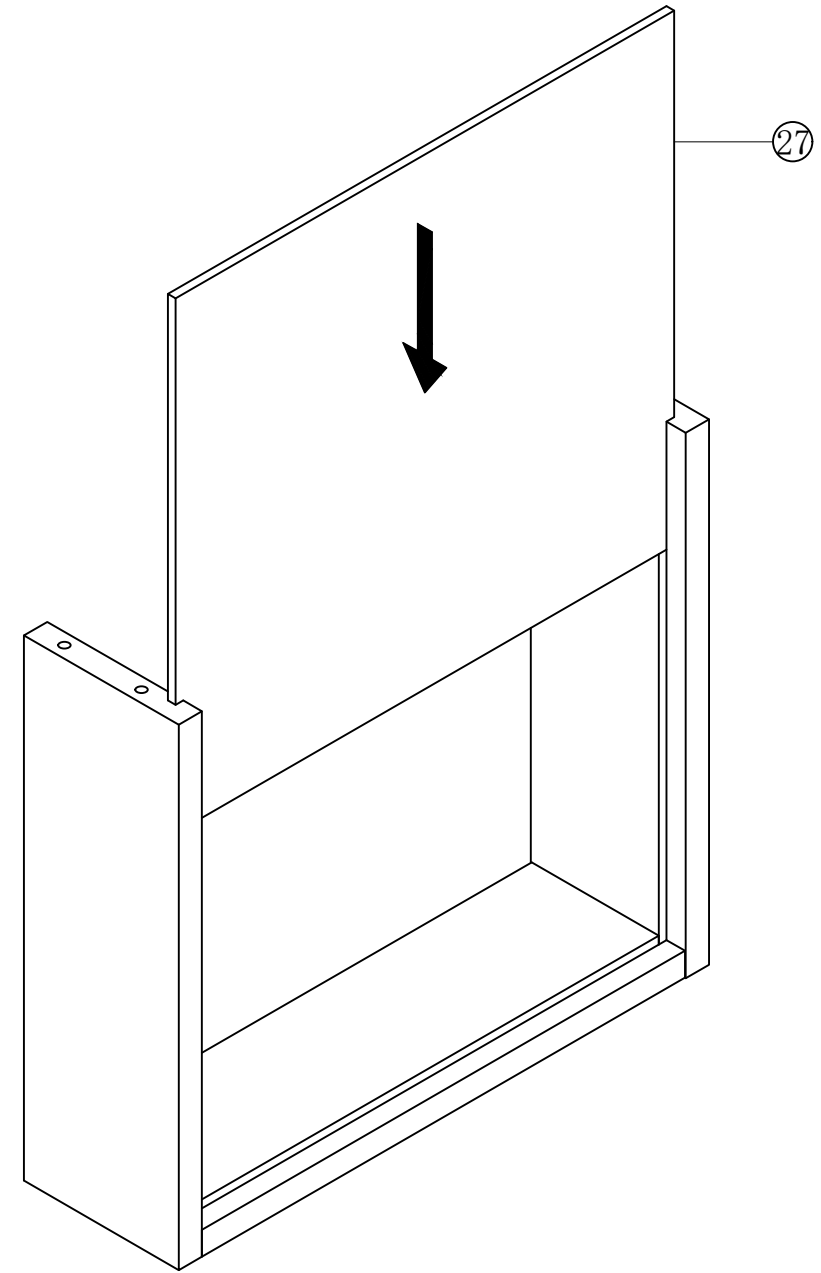
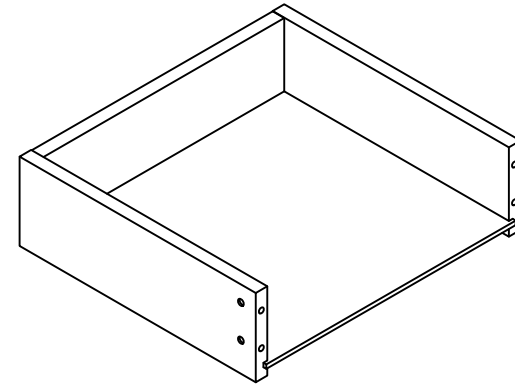
21

22

23



x2





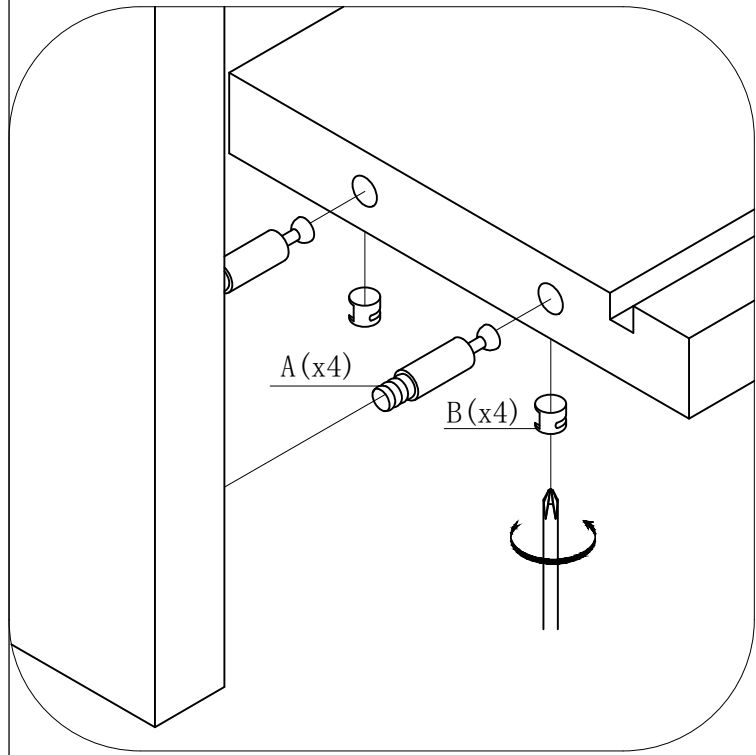
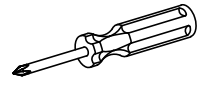
27

x2



HARDWARE LIST

|   |   |      |
|---|---|------|
| A |  | 4PCS |
| B |  | 4PCS |



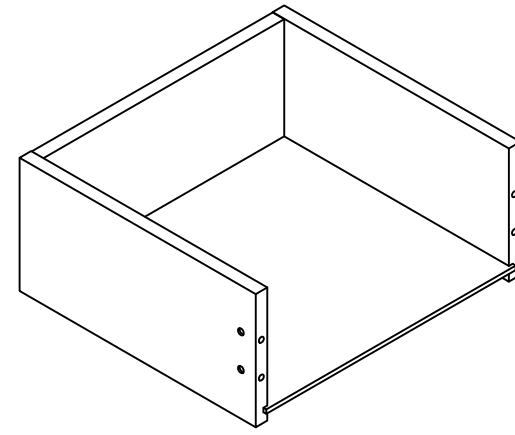
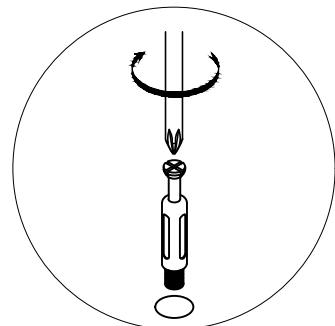
A (x4)

B (x4)

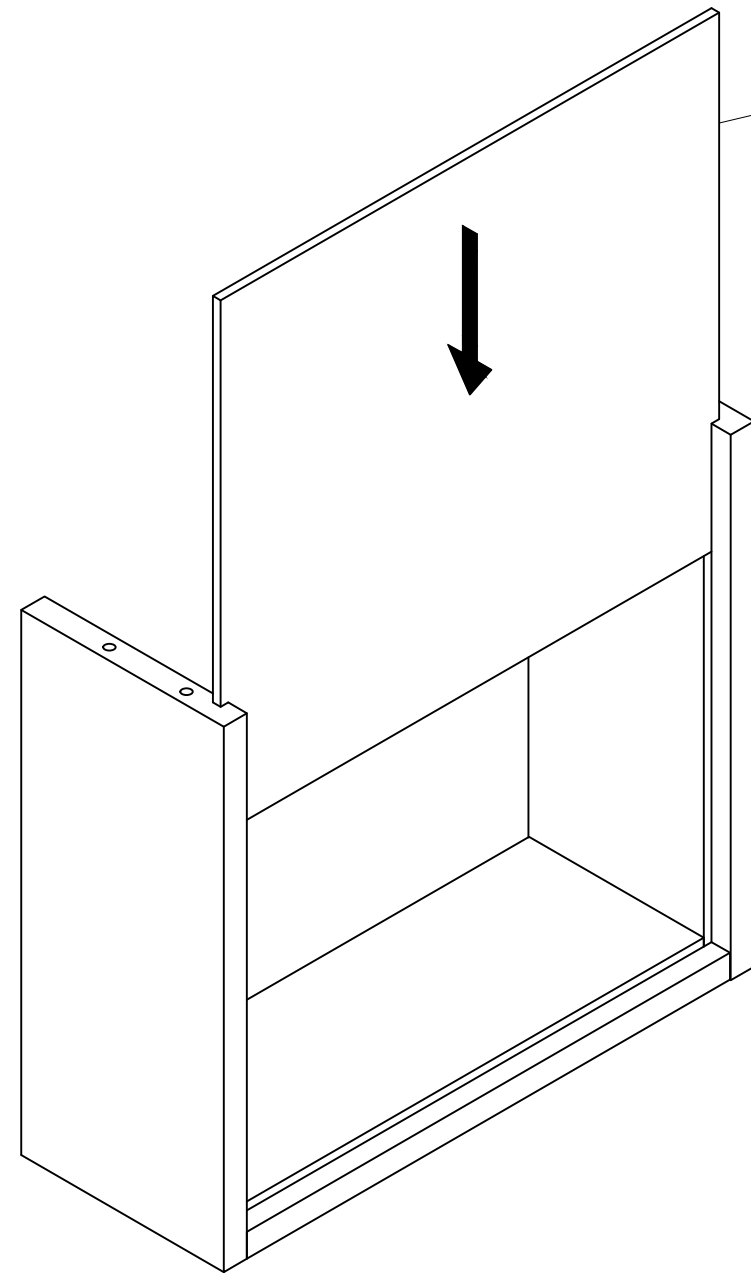
25

26



24

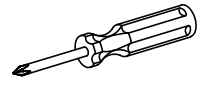


27





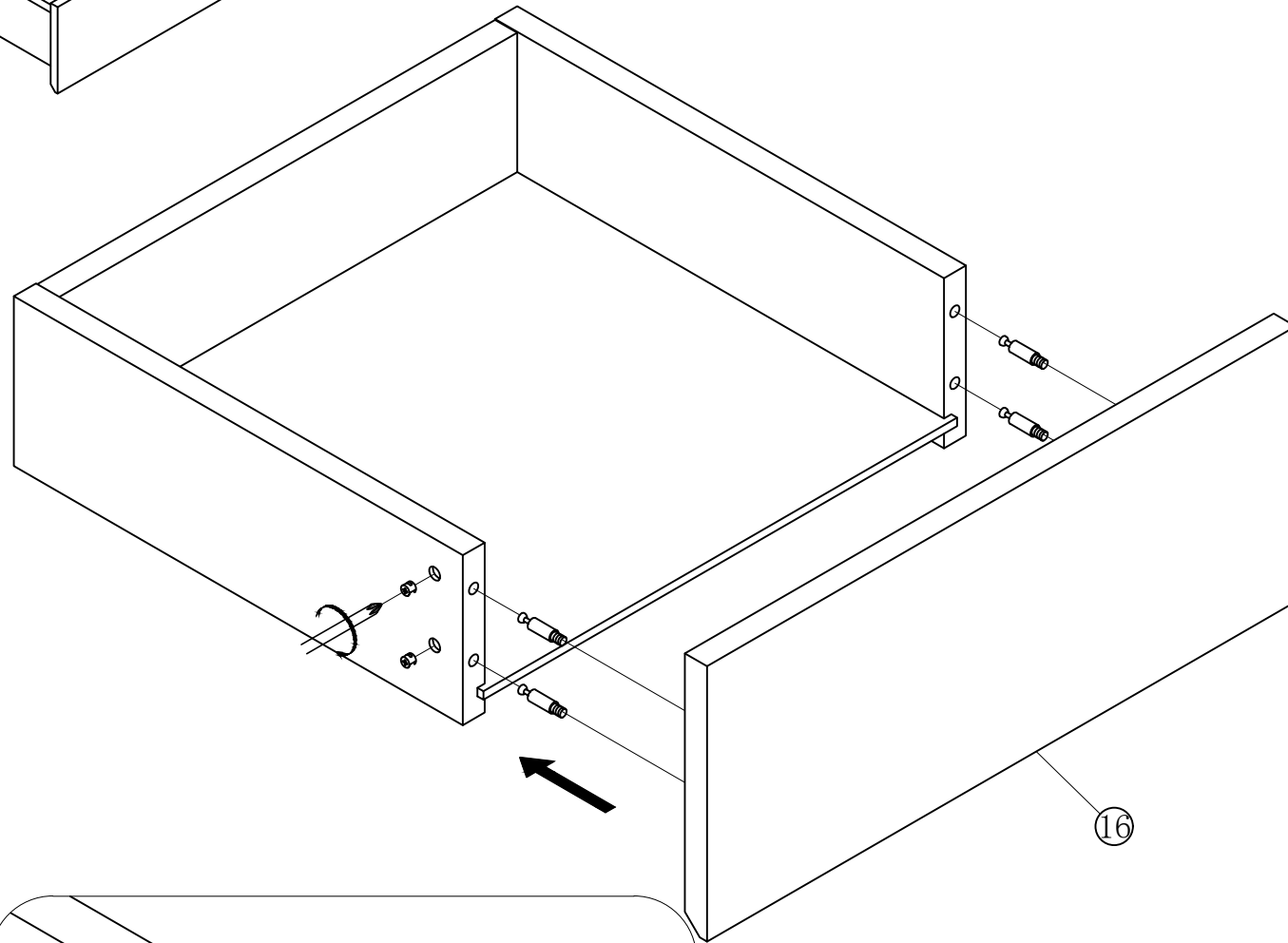
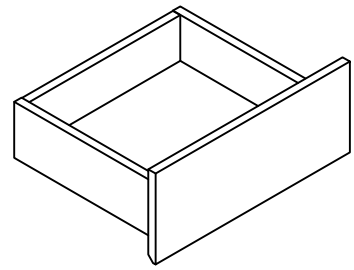
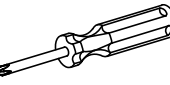
HARDWARE LIST

|   |   |      |
|---|---|------|
| A |  | 4PCS |
| B |  | 4PCS |

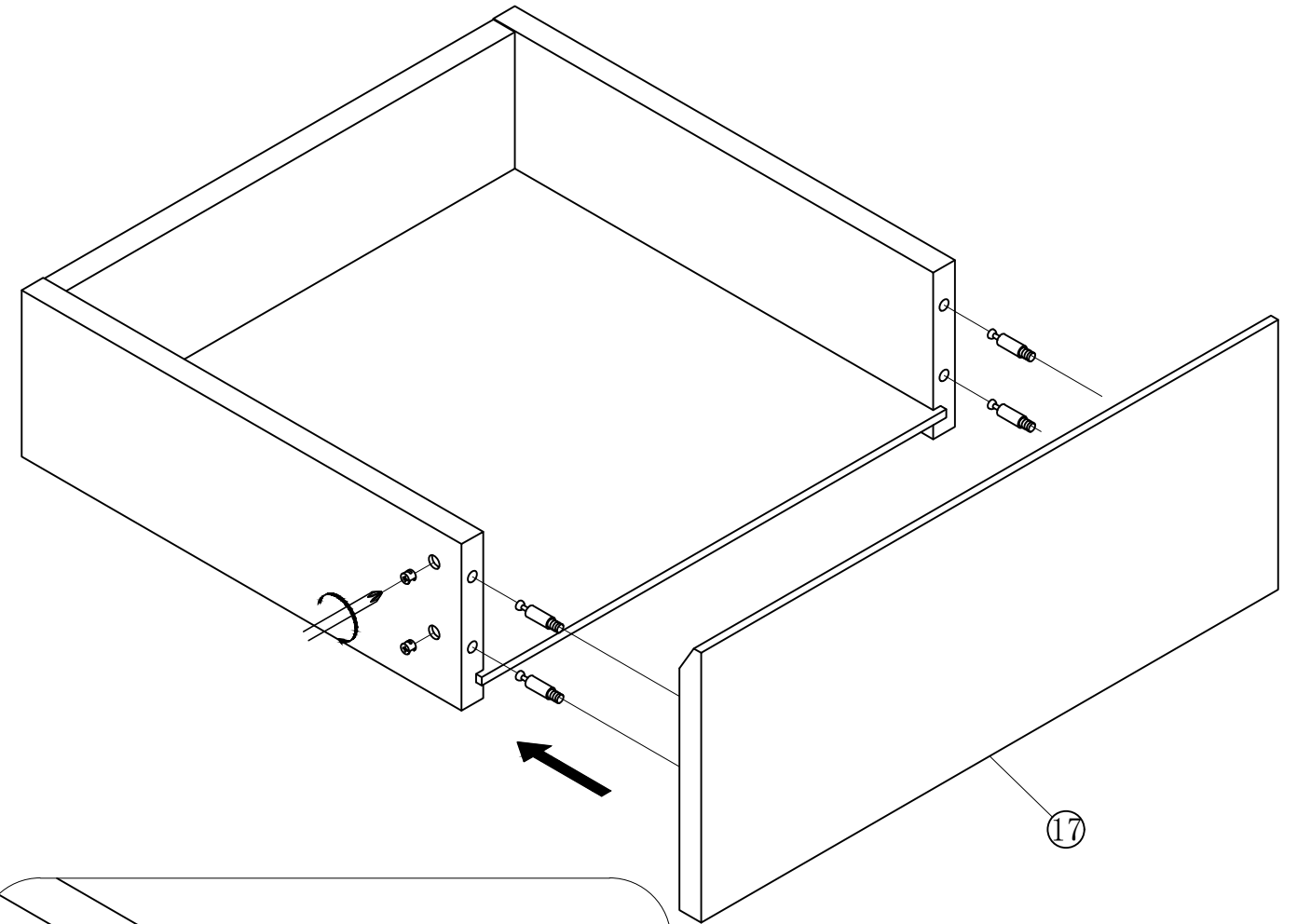


HARDWARE LIST

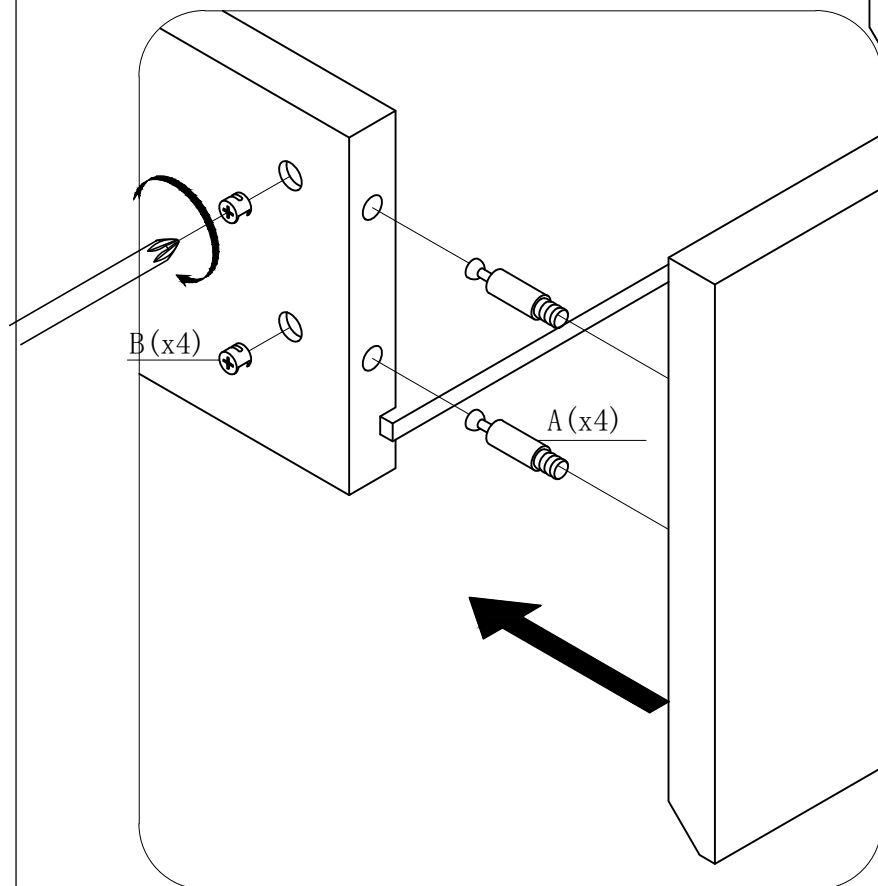
|   |   |      |
|---|---|------|
| A |  | 4PCS |
| B |  | 4PCS |



16

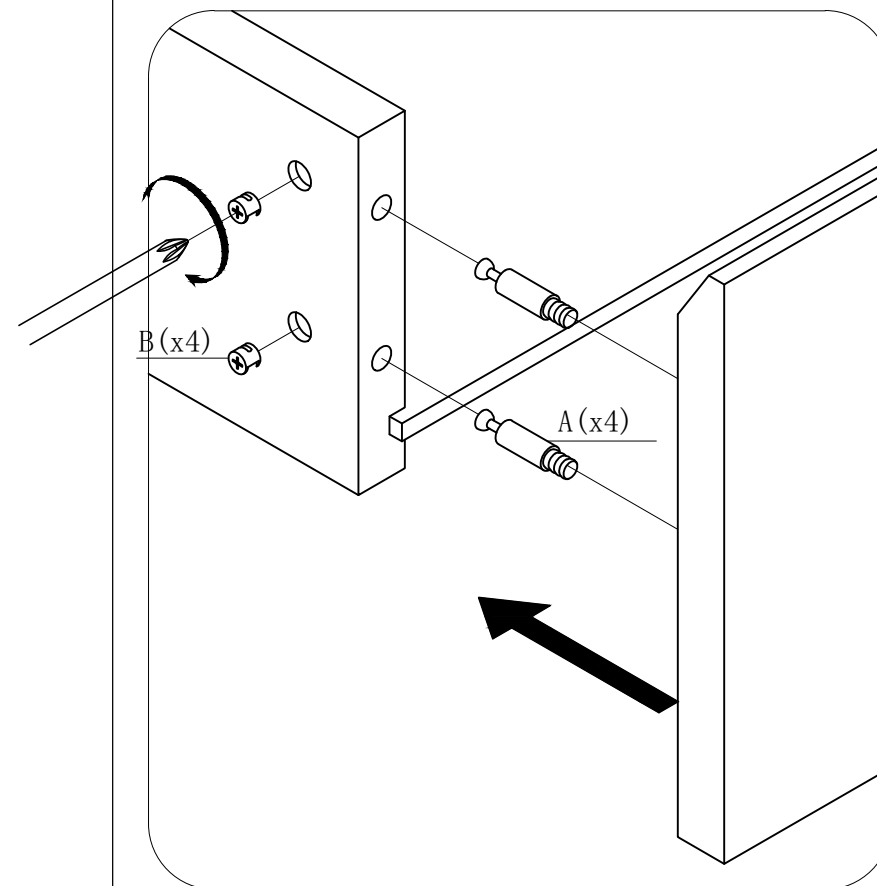
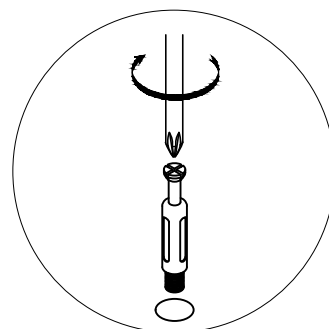


17



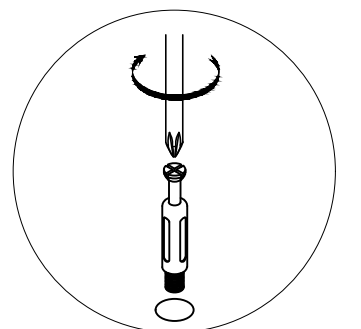
B(x4)

A(x4)





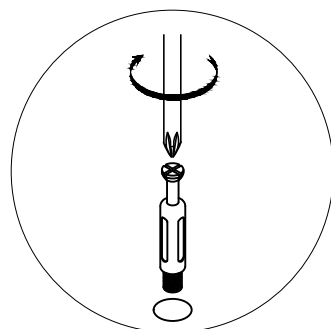
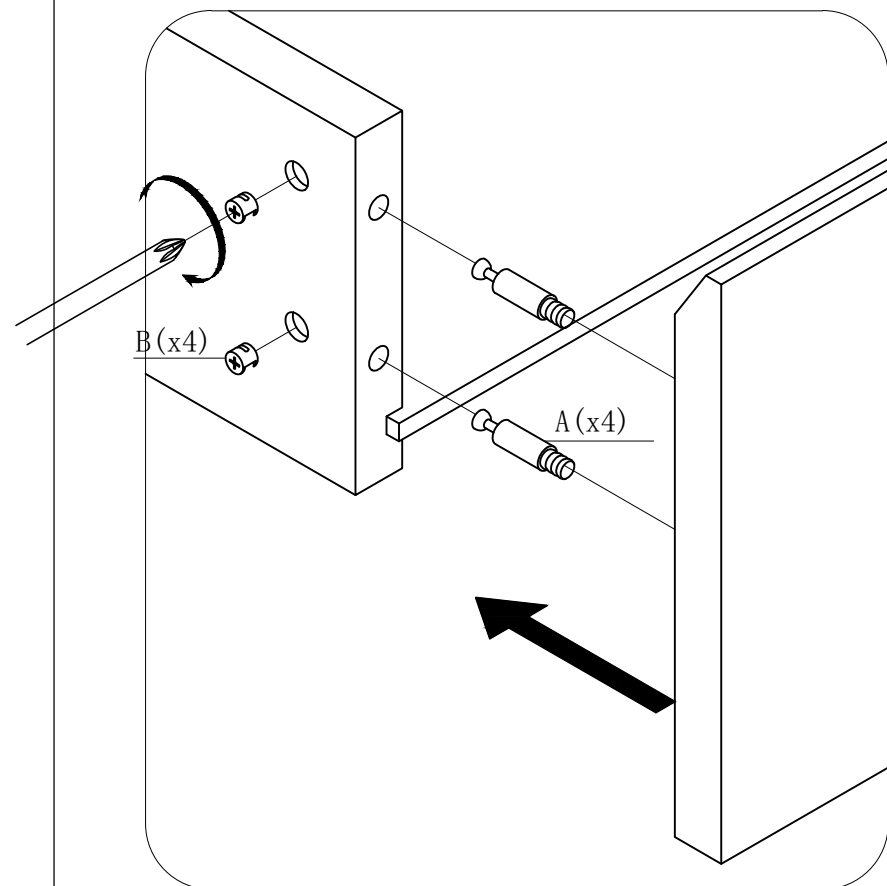
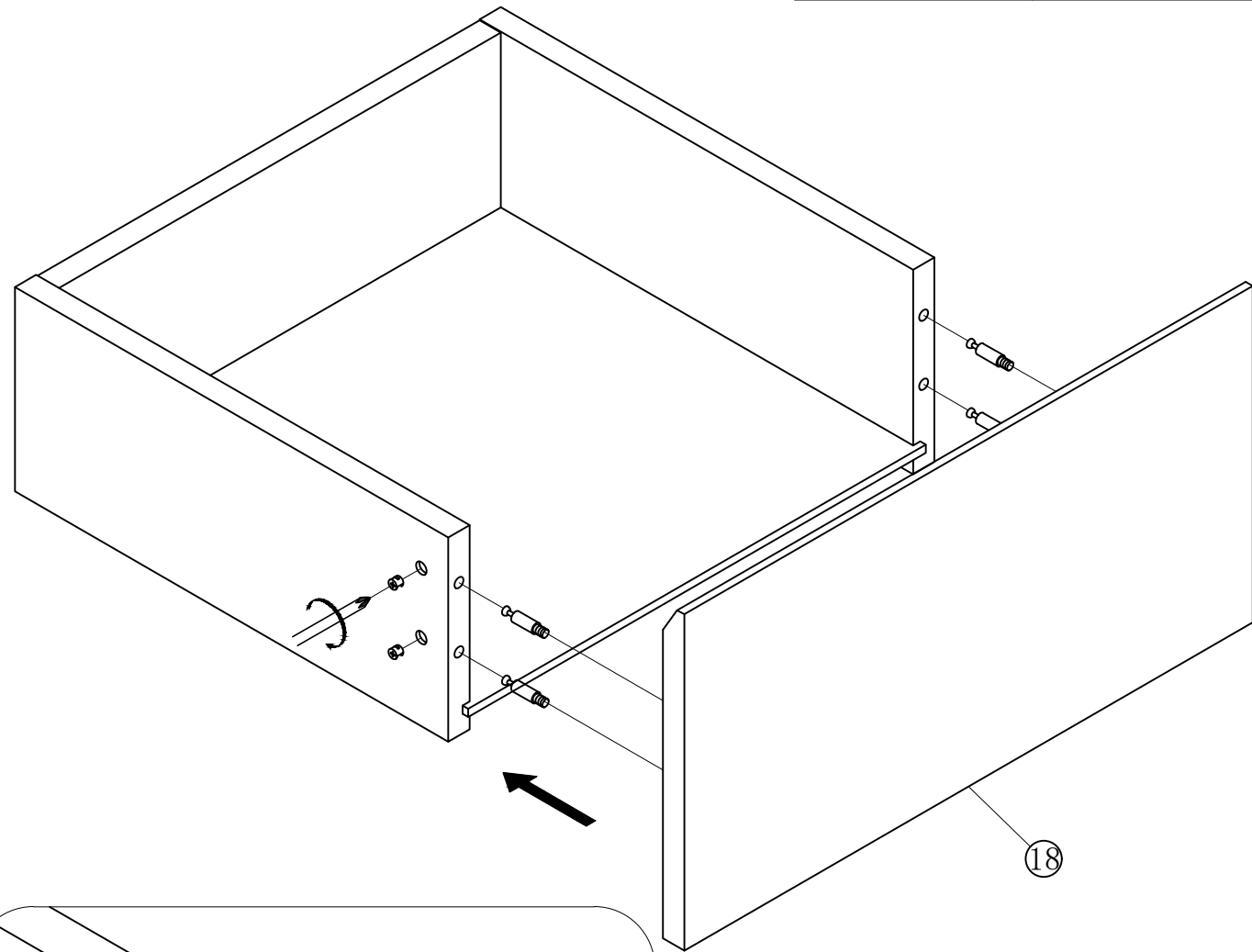
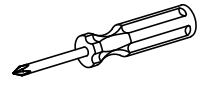
B(x4)

A(x4)




HARDWARE LIST

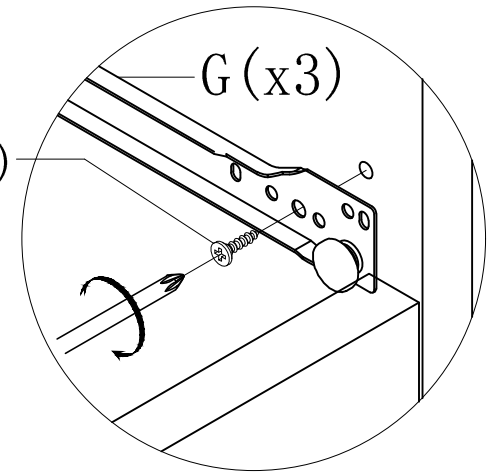
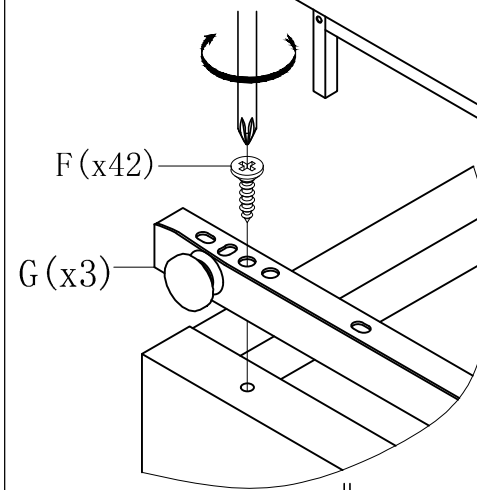
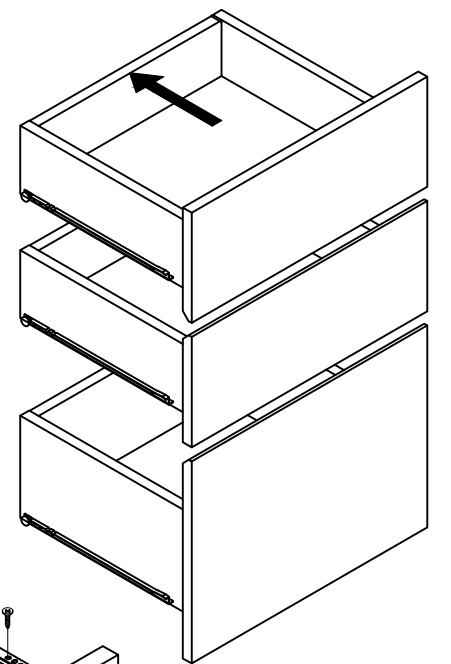
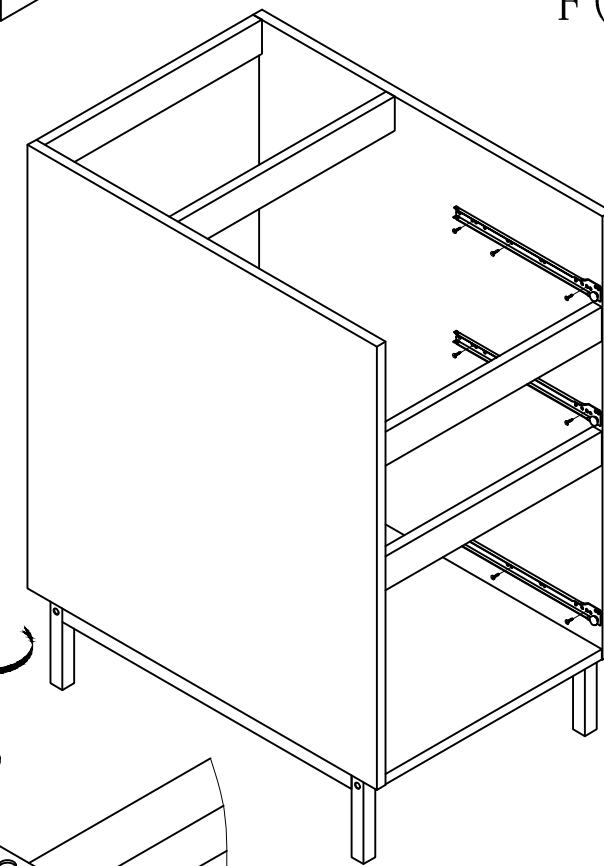
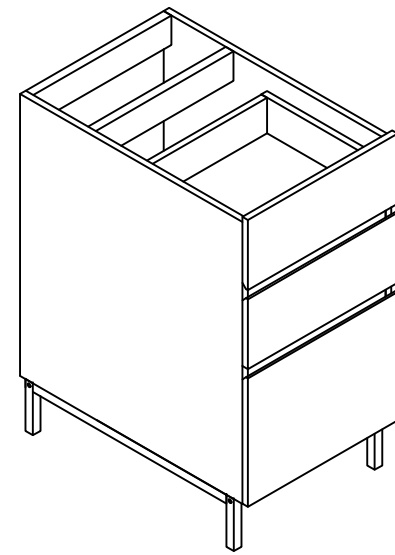
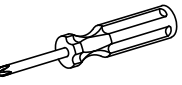
|   |   |      |
|---|---|------|
| A |  | 4PCS |
| B |  | 4PCS |






HARDWARE LIST

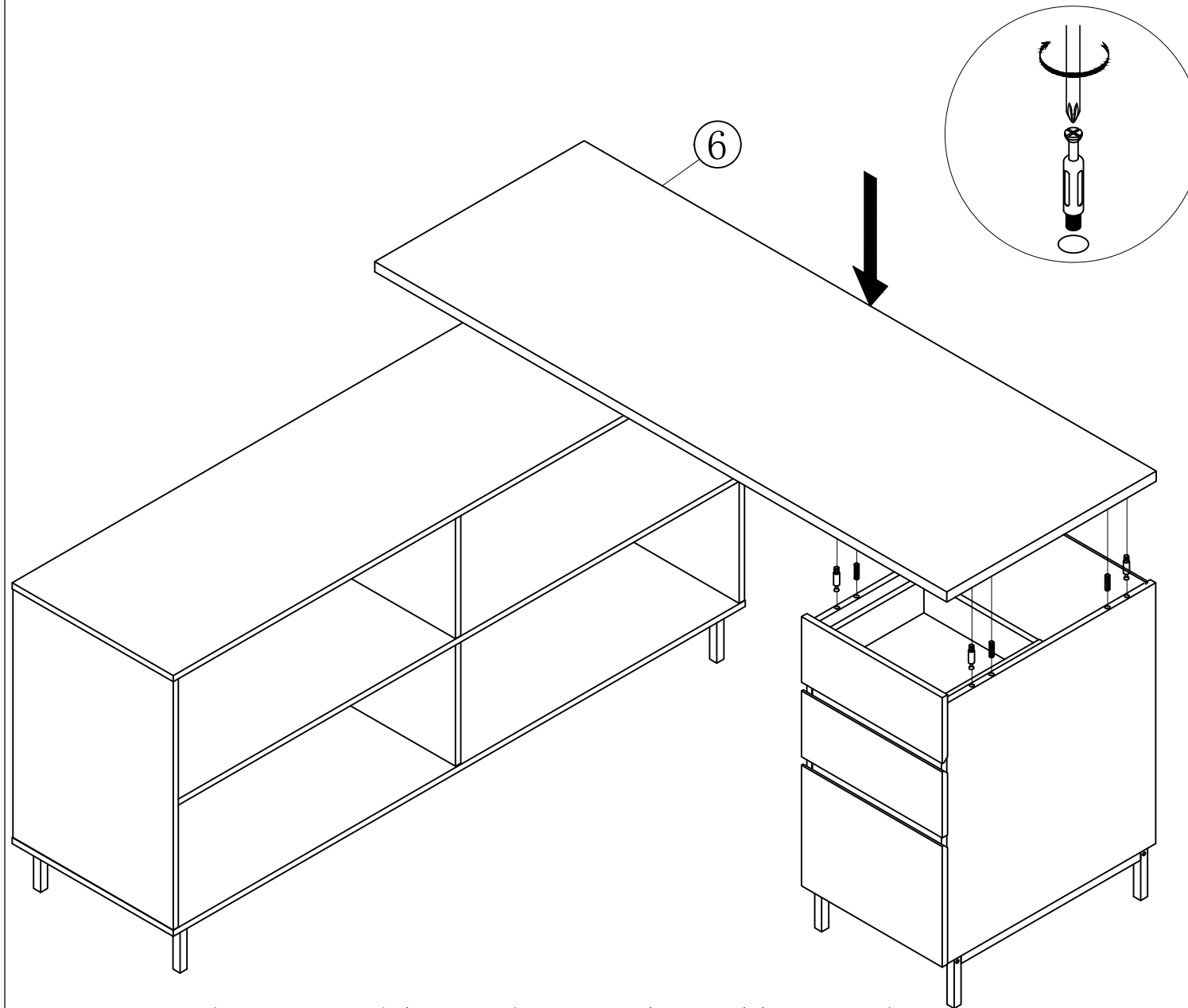
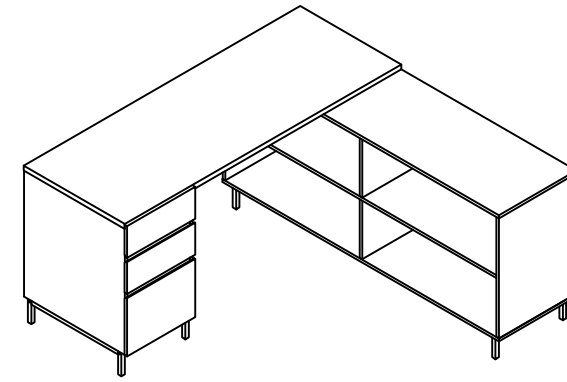
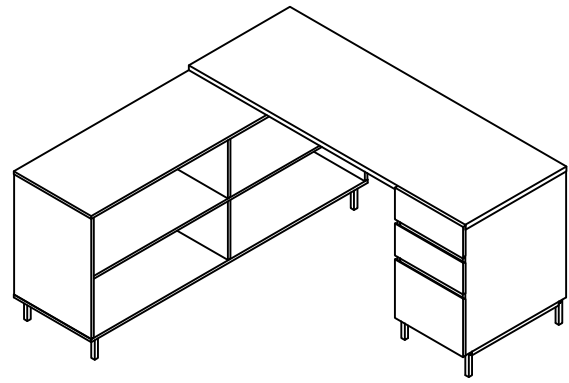
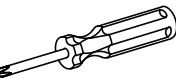
|   |   |       |
|---|---|-------|
| F |  | 42PCS |
|---|---|-------|

|   |   |      |
|---|---|------|
| G |  | 3PCS |
|---|---|------|

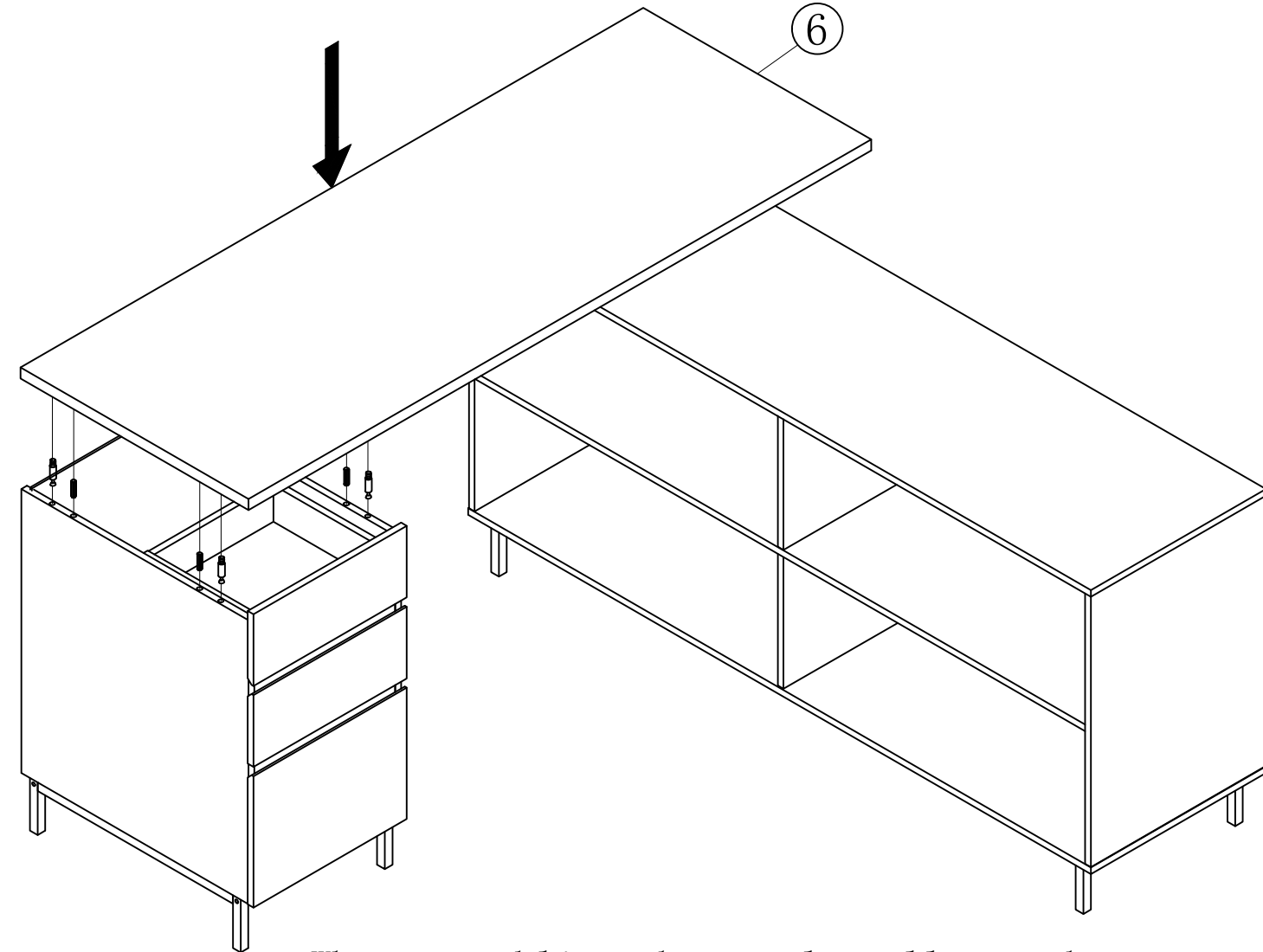


HARDWARE LIST

|   |   |      |
|---|---|------|
| A |  | 4PCS |
| C |  | 4PCS |
| B |  | 4PCS |



When assembling the panel, pull out the upper surface, and then pull out the upper surface after assembling the panel (this is the installation method on the left side)



When assembling the panel, pull out the upper surface. After the panel is assembled, pull out the upper surface (this is the installation method on the right side)