

T9 Vertical  
Instruction Manual

PINGuard™

PINGuard™

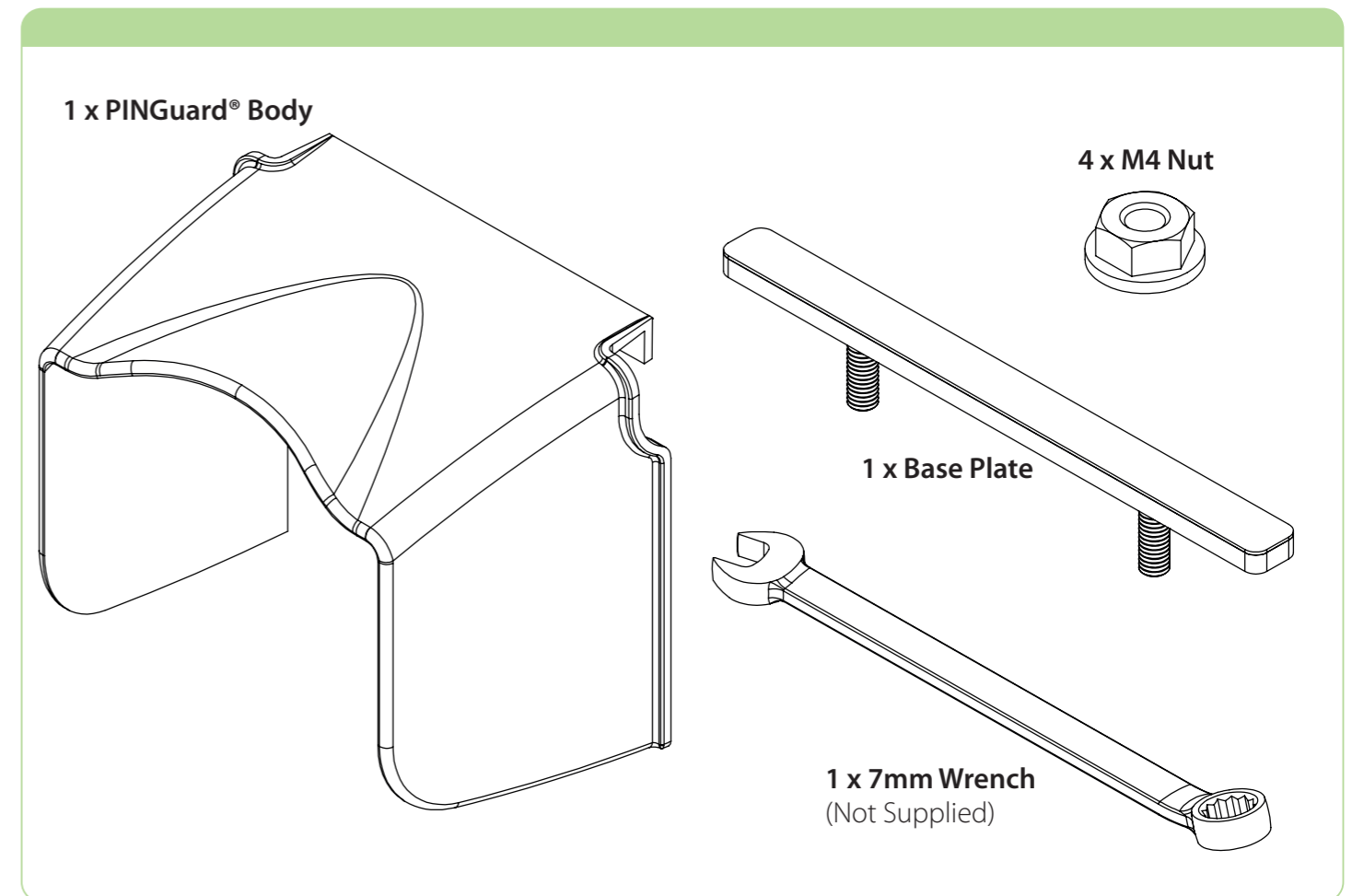
T9 Vertical  
Instruction Manual

## Important Information Please Read First

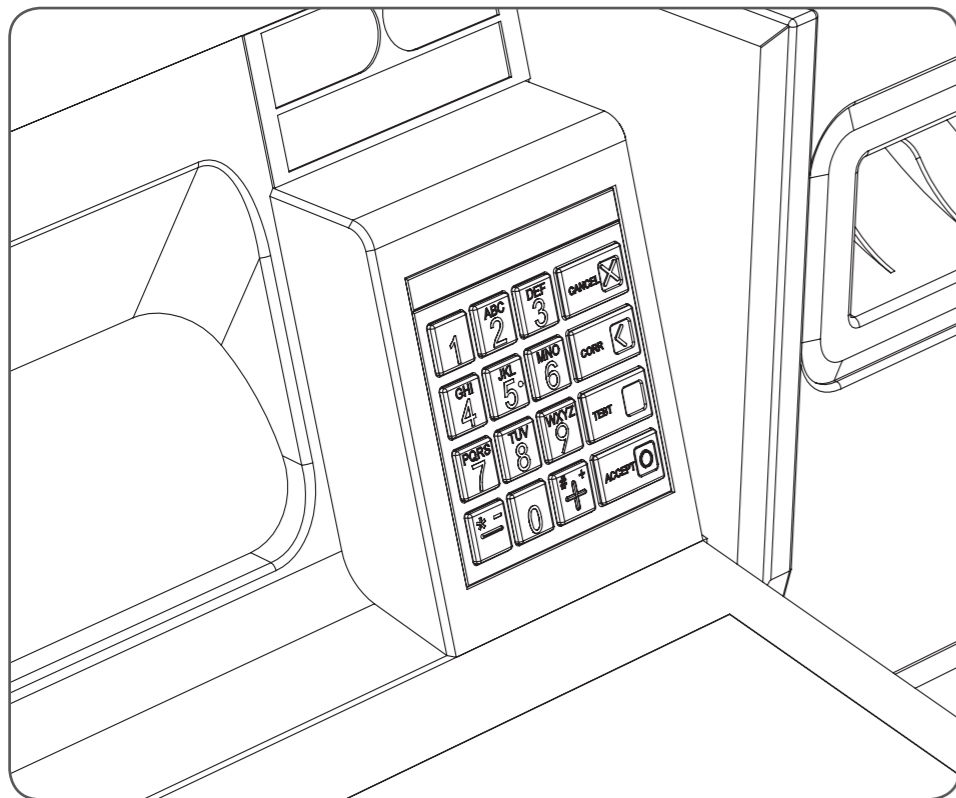
- All safety equipment to be provided by installer
- For all Material Safety Data Sheets please email support@pinguard.com
- For full terms and conditions please email support@pinguard.com

For other translations of this instruction sheet please email support@pinguard.com

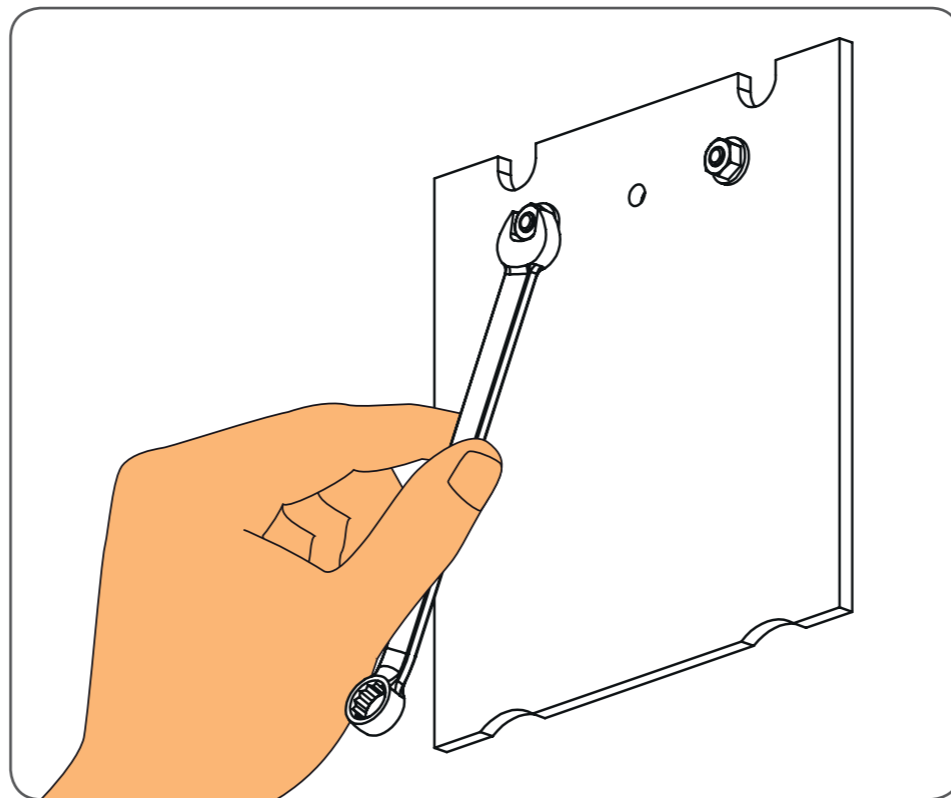
www.PINGuard.com



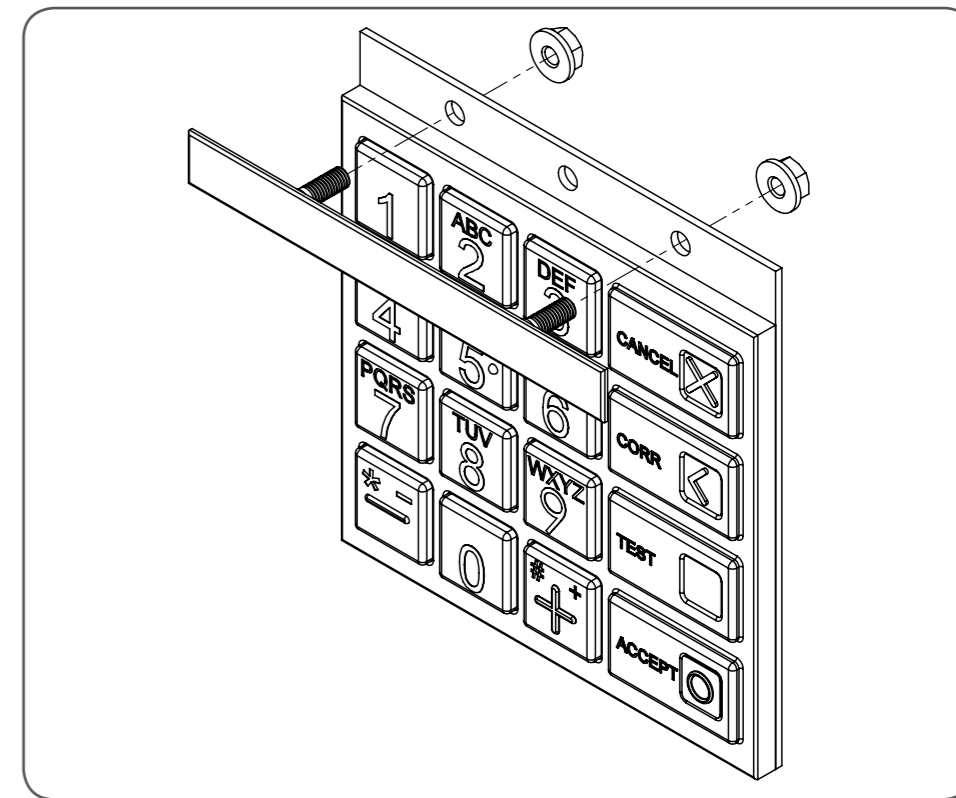
# Fitting Instructions



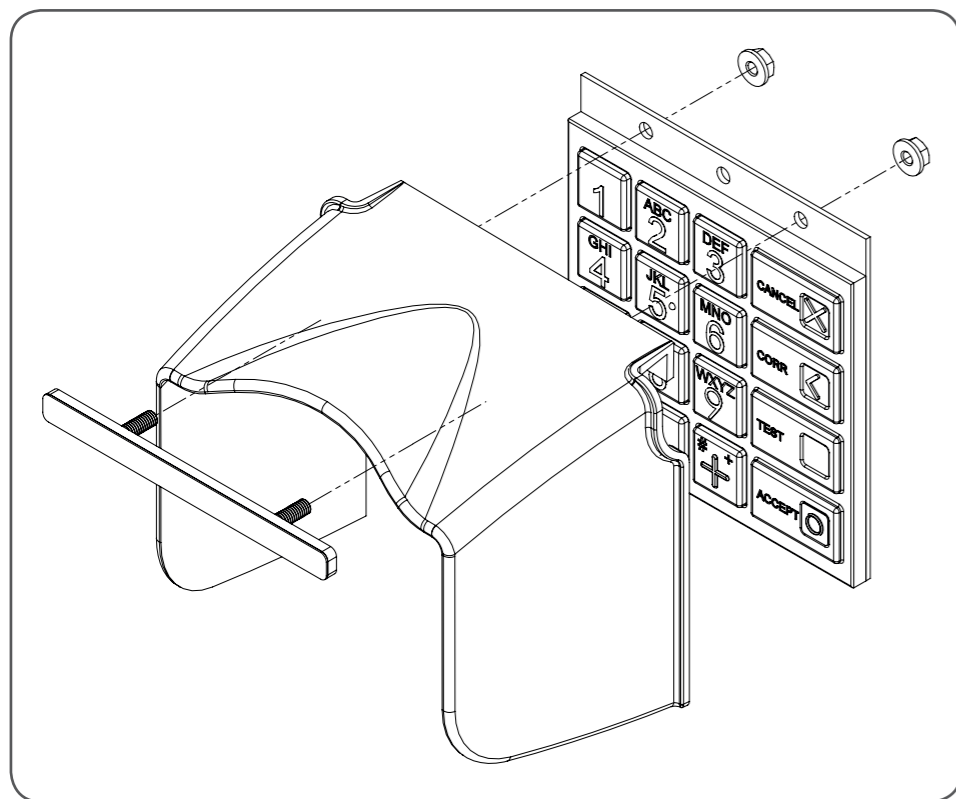
**Step 1:** Ensure that the Key Pad is a vertically mounted V6 or J6 Key Pad.



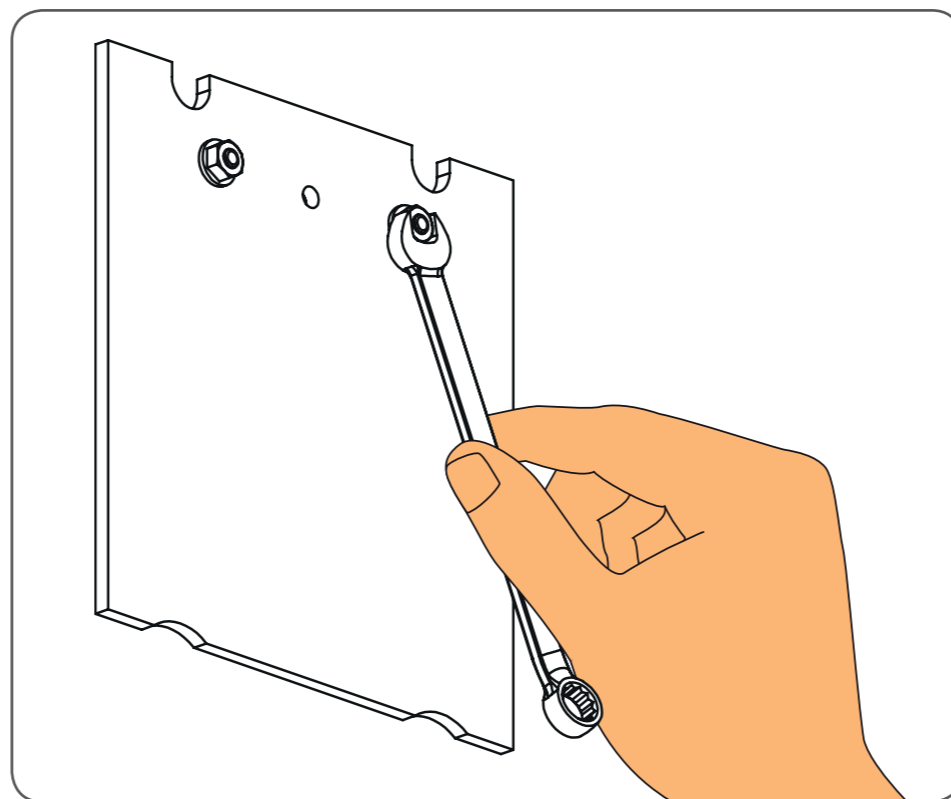
**Step 2:** Access the rear of the Key Pad and unscrew the 2 nuts on the back using a 7mm wrench (on the V6 Key Pad there will be 3 nuts).



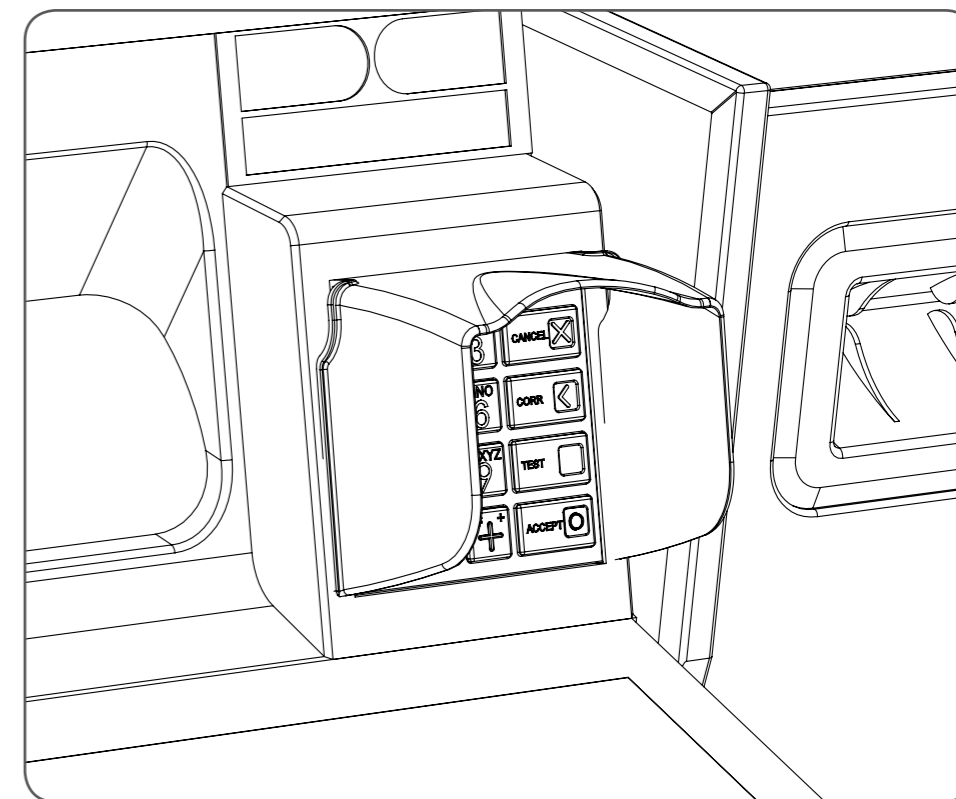
**Step 3:** Once the nuts have been removed, the top blank plate can slide out.



**Step 4:** Place the rubber section of the PINGuard® into the slot left behind by the cover blank and fit the base plate.



**Step 5:** Secure by tightening nuts behind key pad.



**Step 5:** Installation complete.