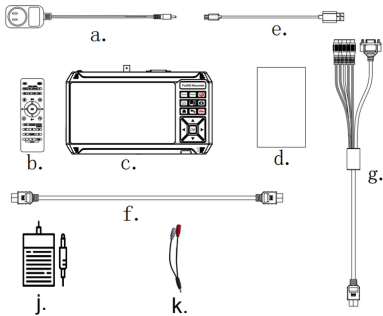


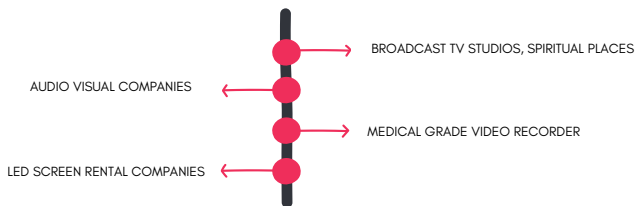
RECORDING TIMES

HIGH DEFINITION 1920X1080		
12 MBPS	18 MBPS	24 MBPS
90 HOURS	60 HOURS	45 HOURS
STANDARD DEFINITION 640X480		
5 MBPS	8 MBPS	10 MBPS
180 HOURS	135 HOURS	100 HOURS

PACKAGE INCLUDES



- Power Adapter
- Remote control
- Capture Box
- User Manual
- Type C USB Cable
- HDMI Cable and MMI Cable.
- Foot Pedal
- Pedal Connect Cable



<http://www.LEDHUB.TECH>

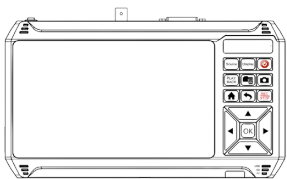
sales@ledhub.tech

RECORDER X1

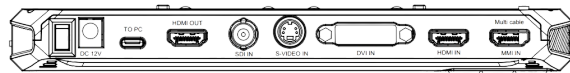
FOR AV, BROADCAST, MEDICAL INDUSTRIES



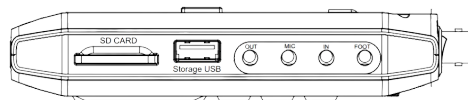
SPECIFICATIONS



- **Recorder XI** is a latest 4K recorder designed for the AV, broadcast and Medical Industries for quick setup and ease of use, yet it includes a robust list of features and capabilities with auto-sensing video connections and automatic video resolution detection. The front control panel allows users to intuitively record videos and photos / SNAPSHOTS WITH FOOT PEDAL. Plug and play with USB drive for reliable recording. Spectacular quality with a bright and clear 7-INCH display
- ALL INPUTS - HDMI, VGA, YPbPr, Line IN, MIC, FOOT
- OUTPUTS - HDMI (pass-through), USB, SD, TYPEC to PC, Line out



- POWER ON/OFF
- DC12V
- TO PC (UVC only for windows OBS)
- HDMI OUT(1080p60)
- SDI IN (3G SDI MAX:1080p60)
- S-VIDEO IN
- DVI IN (18+1 MAX:1080p and Single Channel)
- HDMI IN(MAX:4k30)
- MMI IN(AV/VGA/YPBPR)



- Foot Pedal (connect pedal cable: Red is Recorder/White is snapshot photo)
- IN (connect TRS Audio input)
- MIC(connect TRS MIC input)
- OUT(connect TRS Audio output)
- Storage USB(USB Drive 512G and Hard Disk 8T/support:FAT32/NTFS/MBR/Exfat etc.)
- SD CARD(save files in SD card/support 512G and FAT32/NTFS/MBR/EXfat etc.)

FEATURES



CAPACITIVE TOUCH SCREEN



STREAM INDICATOR

STREAM INDICATOR



ERGONOMIC DESIGN



SENSITIVE BUTTONS



OS COMPATABILITY

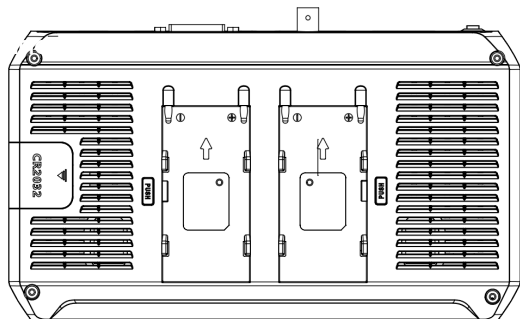


POWER DISPLAY



PLUG & PLAY

We made it 



Compatible battery models:
NP-550/F750/F950/F960/F970

	<p>MAXUPTO3840X2160@30FPS</p> <p>1920X1080(50P),1920X1080(60P),1920X1080(24P),1920X1080(25P),</p> <p>1920X1080(30P),1920X1080(50I),1920X1080(60I),1360X768(60P),</p> <p>1280X1024(60P), 1280X720(60P), 1280X768(60P), 1280X800(60P),</p> <p>1024X768(60P),720X480(60I),720X480(50I),640X480(60P),720X480(60P),720X576(50P)</p>
SUPPORTED INPUT RESOLUTIONS	
OUTPUT RESOLUTION	1920x1080@60fps
RECORDING RESOLUTION	1920x1080(60p),1280x720(60p),1024x768(60p),1280x1024(60p)
OUTPUT FORMAT	MP4(H.264)
SUPPORTED USB DEVICE FORMAT	NTFS,FAT32,exFAT,MBR,GPT
SINGLE FILE SIZE	MAXIMUM 4GB/16GB
VIDEO STANDARD(INPUT)	HDMI 2.0 STANDARD
INPUT SIGNAL	HDMI,DVI,SDI,AV,SV VGA,YPbPr,Linein,Mic,FOOT
OUTPUT SIGNALS	HDMI(PASS-THROUGH),USB,SD,TYPECTO PC,LINEOUT
BITRATE	LOW:4MBPS MID:10MBPS HIGH:18MBPS
MAXIMUM USB DISK STORAGE CAPACITY	512GB FOR USB FLASH DRIVE / SDCARD, 8TB FOR EXTERNAL HARD DRIVE

Button Battery:
CR2032