

Model NT-EF2220LF-UV

NexLED

Rechargeable Under Hood LED and UV Work Light 1000/2000 Lumens

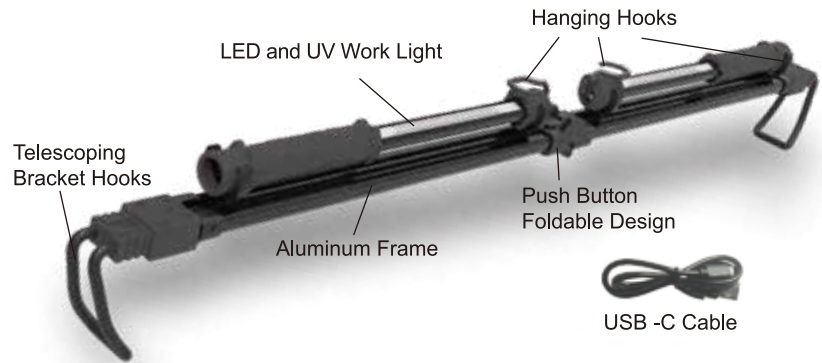
The **NextLED Rechargeable Underhood LED Work Light** is designed for automotive underhood maintenance applications. Super bright, 30W COB, up to 2,000 lumens on high power, and 1,000 lumens on low power. Folding frame is more convenient for transporting and storage. Features a tough, lightweight aluminum construction with soft, foam covered ends on telescoping bracket. Keeps cars scratch free for use on hoods from 48" to 77" wide. With its detachable design, two lights can also be used separately as hand held work lights. Includes Lithium Ion rechargeable batteries and USB cable. This LED light also comes with a UV lighting to conveniently be used to check for leakage

CAUTION:

Read all instructions and warnings before operating!
SAVE THESE INSTRUCTIONS!

WARNING: To avoid serious injury or death from electrical shock or fire:

1. This fixture **MUST ALWAYS BE USED IN ACCORDANCE WITH ALL ELECTRICAL AND SAFETY CODES AND ORDINANCES**, including the most recent National Electric Code (NEC) and with the Occupational Safety and Health Act (OSHA) Volume 1 on General Industry Standards and interpretations.
2. **ALWAYS** make certain that the power source conforms to the rating on the fixture.
3. **DO NOT** inspect or service the fixture while charging.
4. **CAUTION:** This fixture is for indoor use. Keep dry. Do not open, drop, short-circuit, incinerate, expose to temperatures higher than 140°F, or charge/use if damaged.
5. People with pacemakers should consult their physician(s) before use. Electromagnetic fields in close proximity to heart pacemaker could cause pacemaker interference or pacemaker failure
6. This fixture is not explosive-proof, **DO NOT** use in potentially dangerous locations, such as in flammable or explosive atmospheres.
7. **NEVER** operate the light with the clear protective glass broken or removed.
8. **NEVER LOOK DIRECTLY INTO LIGHT SOURCE.** LED's are extremely bright and can damage eyes with prolonged exposure.
9. **KEEP AWAY** from heating vents, radiators, or other sources of heat.
10. **KEEP OUT OF REACH OF CHILDREN.**



LITHIUM BATTERY SAFETY WARNINGS

LITHIUM BATTERIES STORE A LARGE AMOUNT OF ENERGY AND WILL VENT FIRE OR EXPLODE IF MISTREATED:

1. Keep work light dry.
2. **DO NOT DO ANY OF THE FOLLOWING TO BATTERY PACK:**
 - a. Drop
 - b. Open
 - c. Short-circuit
 - d. Puncture
 - e. Incinerate, or
 - f. Expose to temperatures greater than 140°F.
3. Charge work light only according to these instructions

INSTALLATION

1. Hold one end of the light frame, rotate the other half of the light frame from the joint, the joint will latch on when it is extended straight.



2. The bracket hook can be adjusted by simply pulling out hook ends and affixing to under hood.



3. Once your light is in place, it can be rotated to the desired position by simply twisting the light

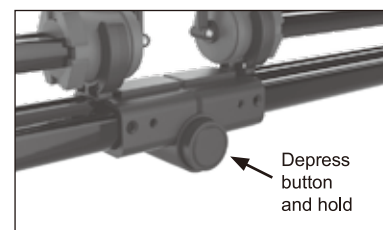


4. Now you can switch the light on for lighting.

NOTE : The two work lights also can be detached to use as two individual hand-held work lights.

TO FOLD THE LIGHT

1. Switch off both lights.
2. While facing the lights, hold one half of the light frame horizontal, push the button to release the latch.
3. When folding, there will be 10 incremental stops while pushing the button.



MAINTENANCE

Only qualified service personnel must perform repairs. Opening or visible attempts to open or repair work light will void any warranty and/or cause damage to the product or personal injury.

CAUTION! Do not use solvents such as gasoline, turpentine, etc. to clean the unit. Aerosols and other chemical will fog the clear polycarbonate lens.

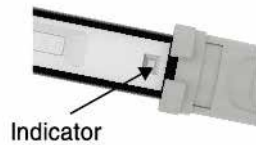
BATTERY CHARGING

NOTE: Each individual light must be charged separately.

1. Connect micro end of USB cable to worklight.
2. Connect the regular end of USB cable to 5V AC adaptor with rated amperage under 2A (not included).
3. Connect the adaptor to an electric outlet.

Battery Charging Indicating:

Light Red In process of charging
Light Green Fully charged, please unplug the adaptor.



WARNING! Charge while indoors only.

WARNING! Always use only a 5V charging adaptor rated under 2A. Using a non-compatible charger could cause damage to the work light or personal injury.

ONE YEAR LIMITED WARRANTY

If this NextLED product fails due to a defect in materials or workmanship, NextLED will at its option, repair it or replace it with the same or comparable model, free of charge.

For repair or replacement under warranty, call (877) 886-6822 with valid proof of purchase under one year.

This warranty give you specific legal rights and you may have other rights that vary from state to state.

This warranty is void if damage or defect has resulted from accident, abuse, misuse or faulty repair. In no event will NextLED be liable for any consequential, special, incidental, or indirect damages of any kind arising out of the use or misuse of this product. Maximum liability shall not in any case exceed the purchase price of the product including shipping. Some states do not allow the exclusion or limitation of incidental or consequential damages so the above exclusions or limitations may not apply to you.



Scan to register your product

Simply scan and register your product for warranty or visit www.mynextled.com

SPECIFICATIONS

LED's 15W COBx2 Pcs
Max Brightness 2,000lm (high)/1,000lm (low)
Run Time 2.5 hrs. (high), 5 hrs. (low)
Battery Size 3.7V 4000 MAHx2 Pcs.
Operating Temperature..... 23 to 118°F
AC Charger Input..... 100-240V AC
Charging Voltage 5.0V DC
(Amperage depends on which 5V charger you use, not included)
Charging Time Approx. 4 hrs. (based on 1A)
Bracket Telescope Range.... 48" to 77"
Net Weight 4.3 lbs.
Dimensions..... 26"x11"x4"
UV Switch for UVA lighting to check for leakage

nex+LED®

Your product, accessories and packaging should be discarded in an environmentally responsible way.

Illustrations, figures and photos may vary slightly due to our program of continuous product improvements.

Cancer and Reproductive Harm
www.mynextled.com

© 2021 Distributed by Sunzi Products, Inc.
Schaumburg, IL
Visit mynexttool.com
Customer Service: 1-877-886-6822
MADE IN CHINA