

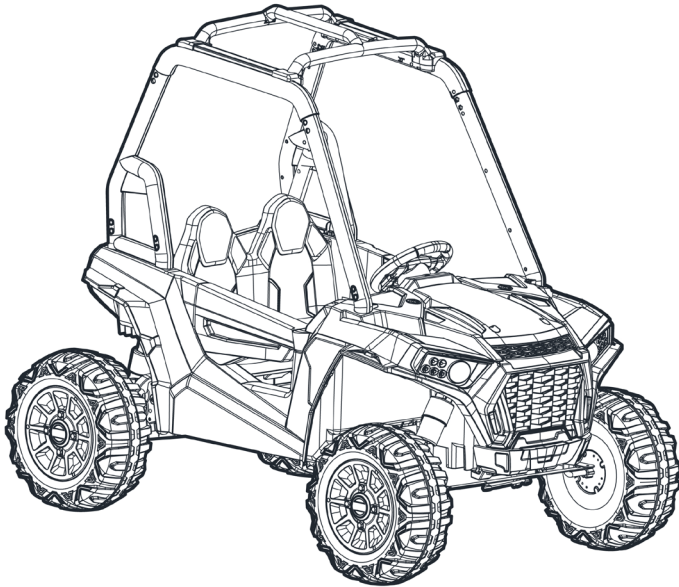


DYNACRAFT®

OWNER'S MANUAL

24V TRAIL RACER

THIS MANUAL CONTAINS IMPORTANT SAFETY, PERFORMANCE AND MAINTENANCE INFORMATION. READ THE MANUAL BEFORE TAKING YOUR FIRST RIDE OR ALLOWING YOUR CHILD TO RIDE YOUR NEW ELECTRIC RIDE-ON TOY. KEEP THE MANUAL HANDY FOR FUTURE REFERENCE.



DO NOT RETURN THIS ITEM TO THE STORE
CONTACT DYNACRAFT CUSTOMER SERVICE FOR ASSISTANCE

dynacraftwheels.com/contact

or 1-800-551-0032



FOR AGES 3+

MAXIMUM WEIGHT: TOTAL 130lb (59kg), 65lb (29.5kg) per seat

NOTE: Illustrations in this Manual are for reference purposes only and may not reflect the exact appearance of the actual product. Specifications are subject to change without notice.

TABLE OF CONTENTS

A Introduction, Safety and Warnings	2
B Before You Begin Assembly	6
C Parts Diagram	7
D Assembly	8
E How to Use Your Ride-On Toy	17
F Detailed Maintenance and Repair	20
G Troubleshooting Guide	26
H Limited Warranty	29

SPECIFICATIONS

SUITABLE AGE	3+
CAPACITY.	Up to 130 lb (59 kg)
MAX SPEED.	Low 2.5 MPH/High 5.0 MPH
CHARGER / INPUT.	AC120V/60HZ
OUTPUT.	DC 24V/1A
CHARGING	12-18 Hours
BATTERY	24V 7AH, 1x Battery
SIZE.	133 x 87 x 115 cm
AVERAGE BATTERY LIFE	300 Charges

This is an estimate only, not a guarantee. Actual battery performance will vary based on many factors, including but not limited to maintenance, charging habits, operation of product, and temperature.

INTRODUCTION, SAFETY AND WARNINGS

ABOUT THIS MANUAL: This Manual was written to help you and your child get the most performance, comfort, enjoyment and safety when riding your new electric ride-on toy. It is important for you to understand your new electric ride-on toy. By reading this manual before you let your child go out on his/her first ride, you will know how to get the most from your new electric ride-on toy. It is also important that you or your child's first ride be in a controlled environment, away from cars, obstacles, and other riders.

⚠ GENERAL WARNING: Riding an electric ride-on toy can be a dangerous activity, even under the best of circumstances. Proper maintenance of your new ride-on toy is your responsibility and helps reduce the risk of injury. Certain conditions may cause components to fail without fault of the manufacturer. The ride-on toy can and is intended to move, and it is therefore possible to lose control, fall off and/or get into dangerous situations that no amount of care, instruction or expertise can eliminate. If such a thing does occur, your child can become seriously injured or die, even when using safety equipment and other safety precautions.

⚠ WARNING: To reduce risk of injury, adult supervision is required. Never use in roadways, near motor vehicles, on or near steep inclines or steps, swimming pools or other bodies of water; always wear shoes, and never allow more than two (2) riders.

⚠ WARNING: CHOKING HAZARD—Small parts not suitable for children under 3 years old.

⚠ WARNING: This toy is unsuitable for children under 3 years due to its maximum speed.

⚠ WARNING: This toy should be used with caution since skill is required to avoid falls or collisions causing injury to the user or third parties. Parents must make sure that children can operate the ride-on toy safely before letting them ride it.

⚠ WARNING: Do not ride in rain, snow, or mud, or store the ride-on toy outside without covering. Water can damage components, including the motor, electrical system, and battery.

⚠ WARNING: This ride-on toy is not an off-road vehicle and is intended to be ridden on smooth, level ground. Do not ride in loose dirt, sand, or gravel, which could damage moving parts, the motor, or the electrical system.

NOTE: Store the ride-on toy indoors or in a covered location when not in use. Avoid long term exposure to rain, excessive sun, or other inclement weather.

RIDE AT YOUR OWN RISK AND ALWAYS USE COMMON SENSE. This manual contains many warnings and cautions concerning the consequences of failing to inspect, maintain or properly use your electric ride-on toy. Because any fall can result in serious injury or even death, we do not repeat the warning of possible serious injury or death each time such a possibility is mentioned in this manual or the risk of falling leads to a warning. **ALWAYS USE PROPER RIDING ATTIRE.** Always wear appropriate clothing and shoes. Never ride barefoot or in sandals and make sure that shoelaces or other fasteners are tied and kept away from the wheels and drive system of the ride-on toy.

RIDER USE AND REQUIRED PARENTAL SUPERVISION

RIDERS MUST NOT EXCEED THE WEIGHT LIMIT OF 130 LB (59 KG) AND MUST BE OVER 3 YEARS OLD. NEVER ALLOW MORE THAN 2 CHILDREN TO RIDE THE RIDE-ON TOY SIMULTANEOUSLY.

The age grade for the electric ride-on toy is for 3 years and older. Just because your child is within the age and weight limitations specified for the electric ride-on toy, does not mean that his/her size is appropriate to fit or maintain control of the electric ride-on toy, or that he/she is capable of safely operating the electric ride-on toy. You are the best judge of whether you or your child can safely operate the electric ride-on toy; this includes determining whether your child is at the appropriate developmental stage for safe use of the electric ride-on toy. Any rider that is unable to fit comfortably on the electric ride-on toy should never attempt to ride it. A parent's decision to allow their child to use the electric ride-on toy should be based on the child's maturity, skill and their ability to follow rules. Remember that the electric ride-on toy is intended for use only by children who are, at a minimum, able to comfortably and safely operate it.

Children operating the electric ride-on toy should be supervised by an adult at all times. Parents should ensure that children only use the electric ride-on toy safely and within their age and physical limits.

This manual contains very important safety information. It is your responsibility to completely review this information and make sure that all riders understand all of the warnings, cautions, instructions and safety topics addressed in this manual and to assure that all riders are able to safely and responsibly use the electric ride-on toy. You should periodically review and reinforce all information in this manual with all riders, especially children. You should also regularly inspect and maintain your electric ride-on toy to ensure the safety of all riders. Make sure that your new electric ride-on toy is properly fitted to any child riding it; that it is in good repair and safe operating condition; that you and your child have gone over the use, operation and safety information in this manual; that you and your child have learned and understand what to do and what not to do with your new electric ride-on toy, including observing all applicable laws, rules and common sense.

Children should be made aware of all possible riding hazards and correct riding behavior before they ride the electric ride-on toy and should be supervised by an adult at all times. Please explain the following to them as often as necessary.

SAFE RIDING PRACTICES AND WARNINGS

- Check and obey all local laws or regulations which may be in effect in the locations where the electric ride-on toy may be used.
- Always wear appropriate clothing and shoes.
- Observe the age and weight limitations on the cover of this manual.
- Always stay seated while riding the electric ride-on toy. To stop you must take your foot off the foot pedal.
- Children must be supervised by an adult at all times to be safe.
- Always be alert and ride your electric ride-on toy defensively. Watch out for obstacles that could catch one of the electric ride-on toy's wheels or force you to turn suddenly and/or lose control. Be careful to avoid pedestrians, persons using other wheeled products (including roller or in-line skates, skateboards, scooters, bikes, etc.), children or animals who may enter your path. Always respect the rights and property of others.
- Do not activate the foot pedal unless you are seated in the ride-on toy and in a safe, outdoor environment that is suitable for riding your electric ride-on toy.
- Do not attempt or perform any stunts or tricks on the electric ride-on toy. It is not made to withstand such misuse and abuse.
- Keep both hands on the steering wheel at all times.
- Do not touch the motor on the electric ride-on toy when in use or directly after use as these parts can become extremely hot.
- Never allow more than one child to ride the electric ride-on toy at one time and never try to tow anything.
- Do not use near steps, water, or swimming pools.
- Do not ride in wet weather.
- Never immerse the electric ride-on toy in water; electrical and drive components could be damaged by water or create other potentially unsafe conditions.
- Keep your fingers and other body parts away from the motor, steering system, wheels and all other moving components.
- Never hitch onto another vehicle or let yourself be pulled or pull anyone or anything while riding the electric ride-on toy.
- Ride only on smooth, flat, dry surfaces such as pavement or level ground without loose debris, such as sand, leaves, rocks or gravel. Water, mud, ice, bumpy, un-even, slick, or rough surfaces could impair traction and contribute to possible loss of control.
- Do not ride on or near hills or steep inclines. Ride only on level ground to avoid tip over.
- Avoid sharp turns, bumps, drainage grates, and other obstacles.
- Do not ride at night or where there is limited visibility.
- Do not ride indoors or on surfaces that could become damaged such as carpet or flooring.
- Do not ride on streets, around cars, or in foot or vehicle traffic.
- Regularly check the electric ride-on toy and its components. If any parts are broken or worn, do not ride the electric ride-on toy until you have fixed or replaced the broken or worn parts. Contact our Customer Service Team at dynacraftwheels.com/contact for replacement parts.

- Do not allow hands, feet, hair, body parts, clothing, or similar articles to come in contact with wheels or other moving parts.
- Before each cycle of operation, you must perform the preoperation checks specified in this manual or by the manufacturer, including:
 - That all guards and pads originally supplied by the manufacturer are in proper place and in serviceable condition;
 - That the area that the unit is to be operated in is safe and suitable for safe operation;
 - That all safety labels are in place and understood by everyone, including the riders;
 - That any and all axle guards, chain guards, or other covers or guards supplied by the manufacturer are in place and in serviceable condition; and
 - That tires/wheels are in good condition and have sufficient tread remaining.
- Avoid sharp bumps, drainage grates, and sudden surface changes.

PRE-RIDE SAFETY CHECKLIST

- Check to make sure that all components are properly secured and are functioning according to the manufacturer's specifications.
- Components must be maintained and repaired and only with the manufacturer's authorized replacement parts. Installation should be performed only by adult, qualified personnel.

USING THE CHARGER

The charger should be examined regularly for damage to the cord, plug, enclosure and other parts. In the event such damage has occurred, the electric ride-on toy should not be charged until the charger has been repaired by qualified personnel or replaced. Use only the supplied, recommended charger.

- Always use caution when charging.
- The charger is not a toy and should be operated by an adult.
- Never operate the charger near flammable materials or liquids, and operate the charger in well-ventilated areas.
- Disconnect the charger and unplug it from the electric ride-on toy when not in use.
- Do not exceed the recommended charging time.
- Always disconnect the charger from the electric ride-on toy prior to wiping down or cleaning the electric ride-on toy with any liquid.

⚠ WARNING: Never modify or alter the electrical system. Risk of fire. Do not bypass the fuse. Replace only with 3A fuse, located under the seat. Alterations could cause a fire or explosion resulting in serious injury or death and could also ruin the electrical system.

FAILURE TO HEED THE WARNINGS LISTED ABOVE INCREASES RISK OF POTENTIALLY SERIOUS INJURY. USE THE APPROPRIATE CAUTION WHEN RIDING AND ALWAYS WEAR APPROPRIATE CLOTHING AND SHOES.

BEFORE YOU BEGIN ASSEMBLY

NOTE: Remove all packing and items from the display box. Make sure that the power switch is turned "OFF" before assembling the electric ride-on toy.

ESTIMATED ASSEMBLY TIME

Because this ride-on toy is heavy and large, we strongly suggest two people to complete assembly. You should allow approximately 60 minutes for assembly, not including initial charging time. Initial charging can take approximately 18 hours (see pages 15-16 for charging information).

⚠ WARNING: DO NOT USE NON-ORIGINAL OR NON-RECOMMENDED PRODUCTS WITH YOUR ELECTRIC RIDE-ON TOY.

Altering of the original components or use of non-recommended replacement parts may or may not be compatible with the design and will void the warranty and may cause an unsafe condition resulting in serious injury or death. Contact our Customer Service Team for original replacement parts at dyncraftwheels.com/contact.

If you experience a problem with this product, or are missing a part, please contact our Customer Service Team at dyncraftwheels.com/contact, rather than return this product to the store.

Please identify all parts before assembly and save all packaging material until assembly is complete to ensure that no parts are discarded.

PARTS DIAGRAM

C

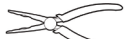
Tools Required



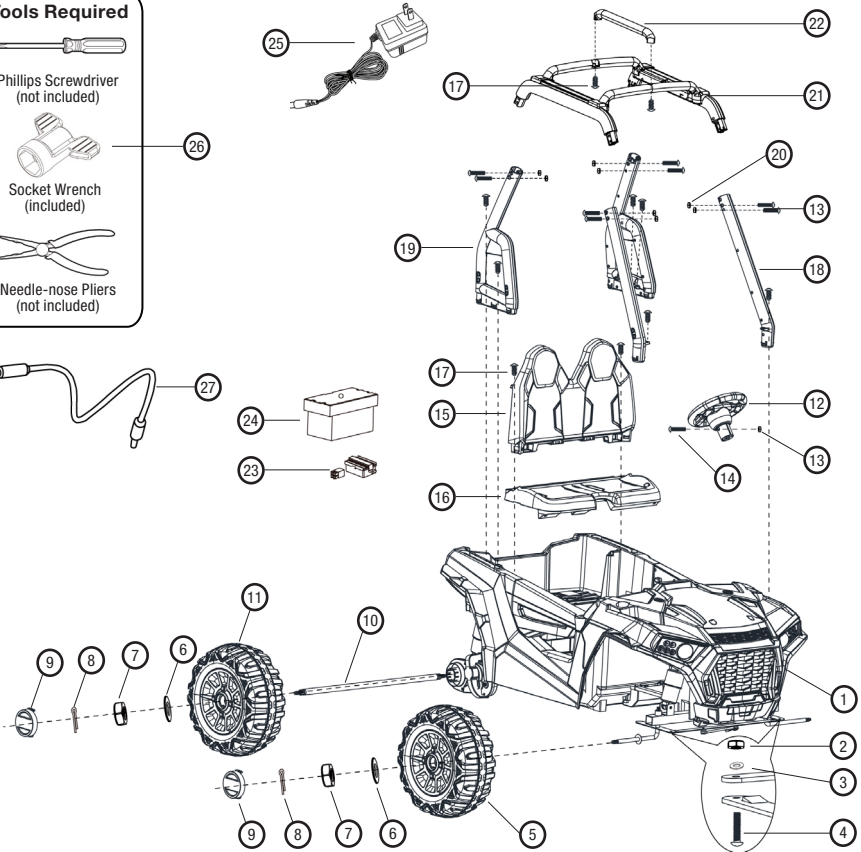
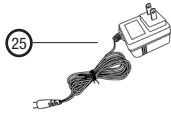
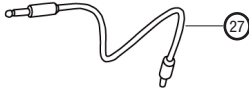
Phillips Screwdriver
(not included)



Socket Wrench
(included)



Needle-nose Pliers
(not included)



- | | |
|--------------------------------|----------------------------------|
| 1. Plastic Body Assembly x1 | 15. Seat Back x1 |
| 2. M6 Lock Nut x2 | 16. Seat Bottom x1 |
| 3. Ø6 Washer x2 | 17. 4x16 mm Round Head Screw x10 |
| 4. M6x16 Machine Screw x2 | 18. Front Rack Support x2 |
| 5. Front Wheel x2 | 19. Rear Rack Support x2 |
| 6. Ø12 Washer x4 | 20. M5x30 Machine Screw x8 |
| 7. M10 Lock Nut x4 | 21. Top Rack x1 |
| 8. Split Pin x4 | 22. Cross Arm x1 |
| 9. Axle Cap x4 | 23. Controller x1 |
| 10. Rear Axle x1 | 24. Battery & Battery Cover x1 |
| 11. Rear Wheel x2 | 25. Charger x1 |
| 12. Steering Wheel Assembly x1 | 26. 17 mm Socket Wrench x2 |
| 13. M5 Lock Nut x9 | 27. Audio Input Cable x1 |
| 14. M5x35 Machine Screw x1 | |

NOTE: Some parts shown are assembled on both sides of ride-on toy. Parts are packaged at both ends of box and in ride-on chassis. Ensure all parts are present before assembly.

ASSEMBLY

D

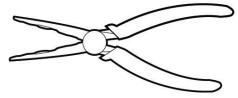
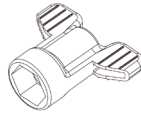
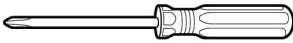
Your new ride-on toy requires adult assembly. Because your new ride-on toy is heavy and large, we strongly suggest using two people to finish assembly. Set aside around 60 minutes for assembly. Identify all parts before assembly and save all packaging material until assembly is completed to ensure that no parts are discarded.

TOOLS REQUIRED:

Phillips Screwdriver
(not included)

17 mm Socket Wrench
(included)

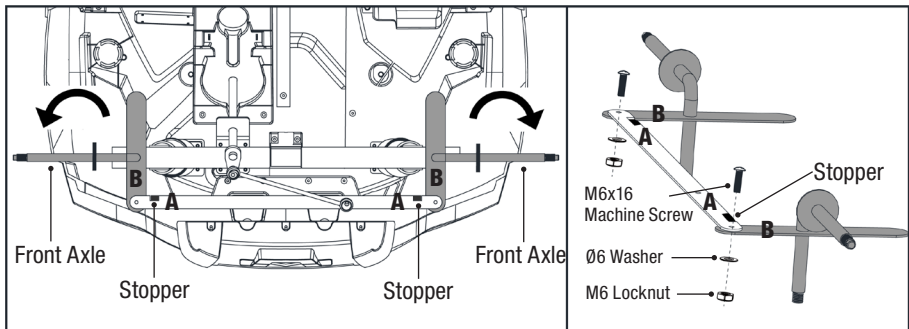
Needle-Nose Pliers
(not included)



⚠ WARNING: Children can be harmed by small parts, sharp edges and sharp points in the ride-on toy's unassembled state, or by electrical items. In the unassembled state, this package contains small parts. Adult assembly is required; children should not handle parts, or help in assembly of the ride-on toy.

1. FRONT AXLE ASSEMBLY

- Gently turn the ride-on toy body upside down and cut off the plastic tie on the front axle with scissors.
- Remove the M6x16 screw, washer and M6 locknut from the front axle.
- Adjust the front axle so that the axle is in the correct position as shown below; then reinsert the M6x16 screw as shown, making sure the M6x16 screw goes through the holes in metal plates A and B (ensure plate A sits over plate B as shown with the stopper, to prevent fingers from becoming trapped while steering); attach the washer and locknut and tighten securely with an adjustable wrench or needle-nose pliers. **NOTE: Do not over-tighten.**
- Repeat above operation for the front axle on the other side.



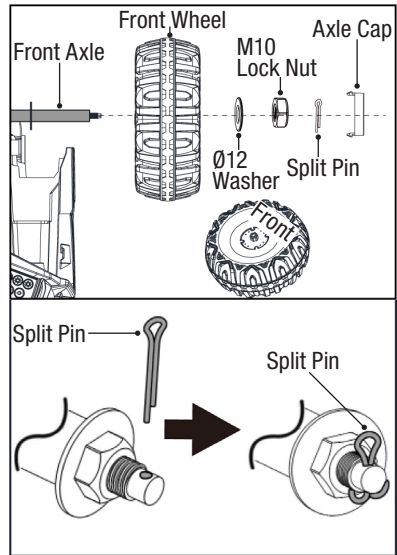
⚠ WARNING: Make sure front axle assembly is properly secured before letting anyone use the ride-on toy.

2. FRONT WHEEL ASSEMBLY

- Remove all parts from front axle.
- Find a front wheel labeled "FRONT", slide the wheel onto the axle.
- Install a $\varnothing 12$ washer and M10 locknut, then tighten it with the 17 mm socket wrench.

NOTE: Do not over-tighten. For your safety, make sure you insert a split pin into the hole in the end of front axle, and split it with standard needle-nose pliers.

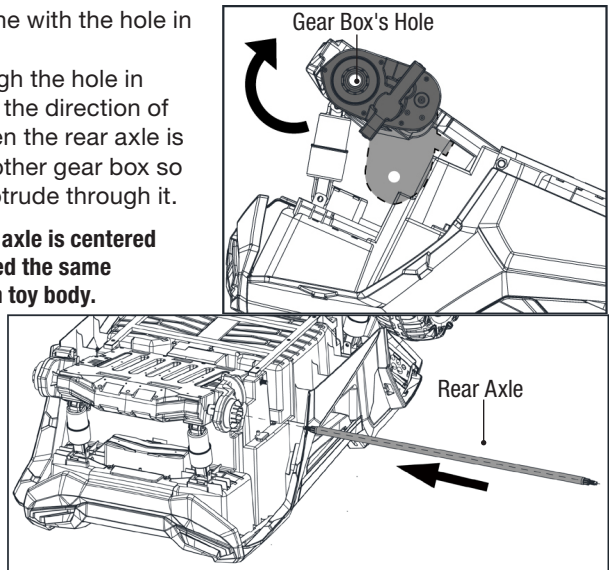
- Insert the axle cap until it clicks into place.
- Repeat above operation for the front wheel on the other side.



3. REAR AXLE ASSEMBLY

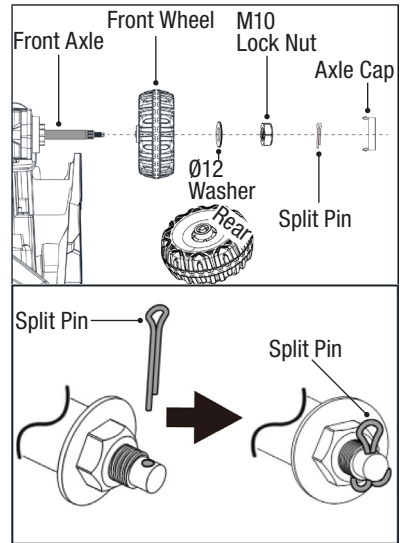
- Remove all parts from the rear axle.
- Cut off the plastic tie on the left gear box and lift it as shown, ensure that the hole in the left gear box sits in line with the hole in the ride-on toy body.
- Insert the rear axle through the hole in the ride-on toy, following the direction of the arrow as shown. When the rear axle is halfway through, lift the other gear box so that the rear axle can protrude through it.

NOTE: Make sure that the rear axle is centered with left and right ends exposed the same distance outside of the ride-on toy body.



4. REAR WHEEL ASSEMBLY

- Find a rear wheel labeled "REAR", slide the wheel onto the rear axle and make it match up with the gear box.
- Insert a Ø12 washer onto the axle.
- While holding the rear axle with a 17mm socket wrench, fit the M10 locknut to the end of the rear axle with another 17mm socket wrench. **DO NOT** over tighten; the rear axle ends are supposed to be exposed; 1-2 threads exposed is acceptable.
- For your safety, insert a split pin into the hole in the end of rear axle, and split it using standard needle nose pliers.
- Insert the axle cap until it clicks into place.
- Repeat above operation for the rear wheel on the other side.

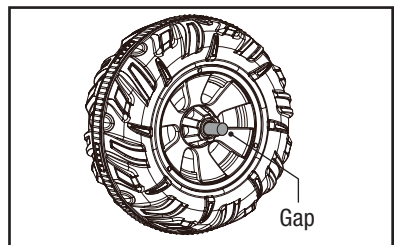


⚠ WARNING: Make sure that the axle assemblies and wheels are properly tightened and secure before letting anyone use the ride-on toy. Failure to do so may result in a loss of control and serious injury or death.

IMPORTANT! CHECK WHEEL GAP

After assembling any wheel onto the axles, check the gap between the screw thread and the outside of the wheel (refer to the adjacent diagram).

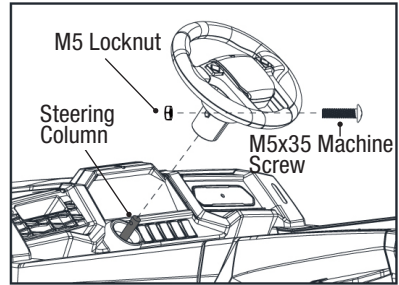
If the gap is too big, add two or three washers on the axle to the inside of the wheel. After tightening the nut on the outside of the wheel, spin the wheel to check if the wheel spins smoothly. If the wheel gets caught or does not spin smoothly, the friction may cause damage to the motor. Try increasing the gap by removing one or two washers to ensure the wheel spins smoothly.



NOTE: If the wheel nuts are loose, the wheels will not engage the forward gear. Tighten the nut with the socket wrench.

5. STEERING WHEEL ASSEMBLY

- Gently turn the ride-on toy body upright.
- Remove the M5x35 machine screw and M5 locknut from the steering wheel.
- Insert the steering wheel onto the end of the steering column, line up the hole in the steering wheel and the hole in the steering column, reinsert the M5x35 machine screw as shown, and tighten it with M5 locknut securely.

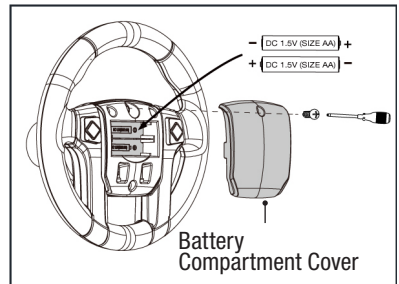


⚠ WARNING: Make sure that the steering wheel is securely fastened and that the steering functions properly before letting anyone use the ride-on toy.

6. STEERING WHEEL BATTERIES INSTALLATION

NOTE: Batteries are not included.

- Unscrew the screw in the steering wheel and remove the cover.
- Insert 2x 1.5V size AA AM-3 or LR6 batteries.
- Replace the cover and tighten the screw to secure it in place.



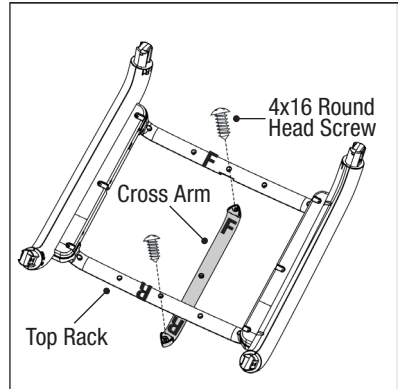
STEERING WHEEL BATTERY SAFETY INFORMATION:

Batteries may leak fluids that can cause chemical burn, injury or ruin your product. To avoid battery leakage:

- Install batteries correctly, observing the polarity (+/-) signs to avoid leakage.
- Do not mix old and new batteries.
- Do not mix batteries of different types: alkaline, standard (carbon-zinc) or rechargeable (NiMH).
- Remove the batteries from the battery compartment when the unit will not be used for an extended period of time.
- Always remove exhausted batteries from the battery compartment.
- Do not dispose of batteries in fire.
- Do not short circuit the supply terminals.
- Replace the batteries when the horn sounds become distorted.
- Non-rechargeable batteries should not be recharged.
- Use only batteries of the same or equivalent type as recommended.
- If rechargeable batteries are used, they should only be charged by an adult.
- Remove rechargeable batteries from the product before charging.
- Battery chargers used with toys must be examined regularly for damage to the cord, plug, enclosure and other parts. In the event that such damage is found, the toy must not be used with the battery charger until the damage has been repaired.

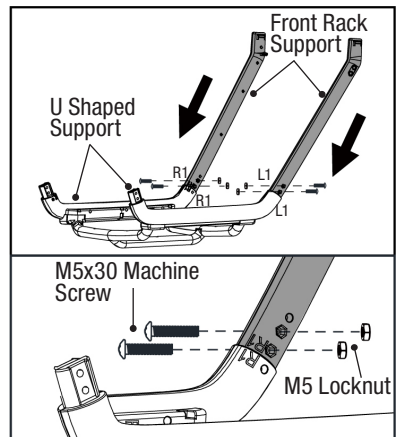
7. TOP RACK ASSEMBLY

- Find the top rack and its cross arm.
- The cross arm is marked with “F” and “R” on its two ends. Find the corresponding “F” and “R” markings on the top rack and fit the cross arm to the corresponding spot as shown in the diagram.
- Secure the cross arm to the top rack with two 4x16 mm round head screws .



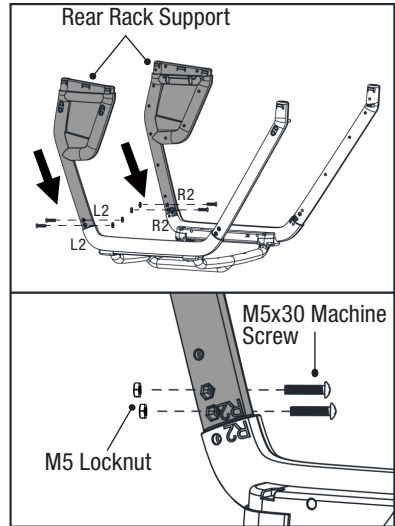
8. RACK FRONT SUPPORTS ASSEMBLY

- Find one Front Support marked with an “R1” and remove the M5x30 machine screw and M5 locknut from it. Attach the support to the corresponding U shaped support also marked with an “R1”. Reinsert the M5x30 machine screw as shown, and tighten it with M5 locknut securely, as shown at right.
- Find the other Front Support marked with an “L1” and remove the M5x30 machine screw and M5 locknut from it. Attach the support to the corresponding U-shaped support also marked with an “L1”. Reinsert the M5x30 machine screw, and tighten it with M5 locknut securely.



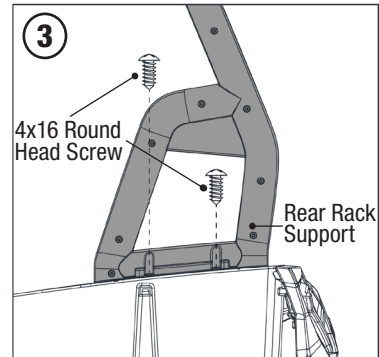
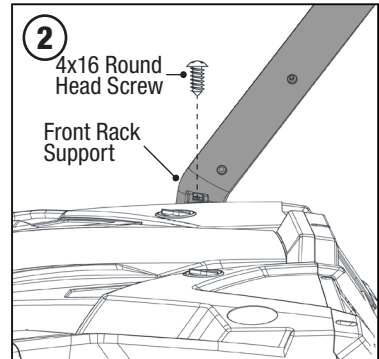
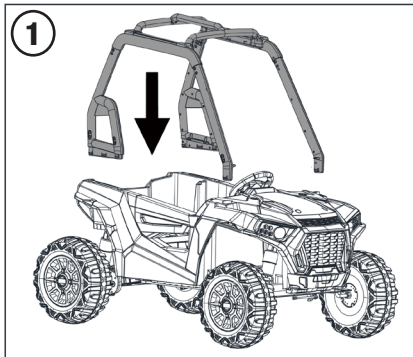
9. RACK REAR SUPPORTS ASSEMBLY

- Find one Rear Support marked with an “R2” and remove the M5x30 machine screw and M5 locknut from it.
- Attach the support to the corresponding U shaped support also marked with an “R2”. Reinsert the M5x30 machine screw as shown, and tighten it with M5 locknut securely, as shown at right.
- Find the other Rear Support marked with an “L2” and remove the M5x30 machine screw and M5 locknut from it.
- Attach the support to the corresponding U shaped support also marked with an “L2”. Reinsert the M5x30 machine screw, and tighten it with M5 locknut securely.



10. RACK ASSEMBLY INSTALLATION

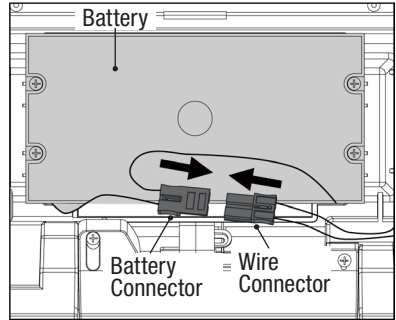
- Insert the Front and Rear rack supports into the four corresponding holes in the ride-on toy body as shown in diagram 1.
- Secure each of the Front Rack Supports using one 4x16 mm round head screw on each side, as shown in diagram 2.
- Secure each of the Rear Rack Supports using two 4x16 mm round head screws on each side, as shown in diagram 3.



11. POWER SUPPLY CONNECTION

NOTE: The battery is disconnected for shipment to prevent the battery from draining.

- Securely plug the battery connector into the wire connector.

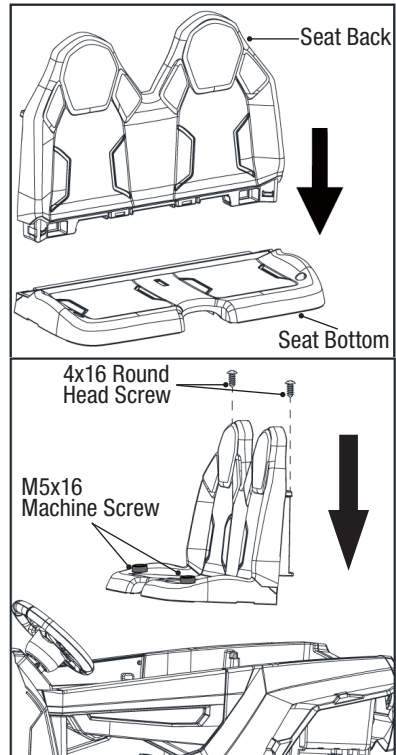


12 SEAT INSTALLATION

- Find Seat Bottom and Seat Back, locate and insert the Seat Back into the Seat Bottom as shown.

NOTE: Gently insert the Seat Back tabs into the corresponding seat bottom slots and push until you hear the seat back click into place. Once the tabs click into place, the seat back cannot be pulled out without damaging the seat.

- Slide the seat into the place as shown.
- Tighten the seat with two 4x16 round head screws and two M5x16 machine screws (which come attached to the seat bottom).



BATTERY CHARGING

IMPORTANT! Before first time use, charge the battery for at least 18 hours. Charge the battery for at least 12 hours after each use of the ride-on toy. Never charge the battery longer than 30 hours. Overcharging or undercharging the battery may shorten battery life and decrease ride-on toy running time.

⚠ WARNING: Battery can fall out and injure a child if the ride-on toy tips over. Always use battery cover.

PREVENT FIRE

- Never modify the electrical system.
- Alterations could cause a fire resulting in serious injury and could also ruin the electrical system.
- Use of the wrong type battery or charger could cause a fire or explosion, resulting in serious injury.
- Use of non-original components on this ride-on toy could cause overheating, fire or explosion.
- The battery must be handled by adults only.
- The battery is heavy and contains sulfuric acid (electrolyte).
- Dropping the battery could result in serious injury.
- Never allow children to charge the battery.
- Battery charging must be done by adults only. A child could be injured by the electricity involved in charging the battery.
- Never lift or carry the battery by the wires or connector, this can damage the battery and possibly cause a fire resulting in serious injury. Lift and carry the battery by the case only.
- Read the safety instructions on the battery.
- Examine the battery, charger and their connectors for excessive wear or damage each time you charge the battery.
- If damage or excessive wear is detected, do not use the charger or the battery until you have replaced the worn or damaged part.

⚠ WARNING: Use the charger in dry locations only.

IMPORTANT NOTE

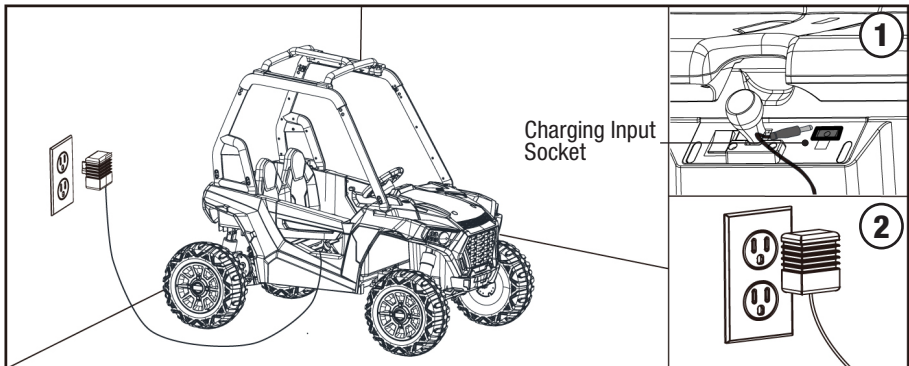
- We recommend that you start charging your battery before beginning assembly of your new ride-on toy.
- The battery must be upright while charging.
- The charger is not a toy, and should only be operated by adults.
- Do not short-circuit the battery.
- You do not need to remove the battery from your ride-on toy to recharge it.
- Before charging the battery, examine the battery case for cracks and other damage which may cause sulfuric acid (electrolyte) to leak during the charging process. If damage is detected, do not charge the battery or use it in your ride-on toy. Battery acid is very corrosive and can cause severe damage to surfaces it contacts.

- Do not charge the battery on a surface (such as a kitchen counter top) which could be damaged by the acid contained inside the battery. Take precautions to protect the surface on which you charge your battery.
- Use only an original charger (AC 120V 60Hz) with an output of DC 24V (1A) to charge your ride-on toy battery.
- **NOTE TO ADULTS:** Regularly examine the charger for damage to the cord, plug, housing or other parts that may result in the risk of fire, electric shock or injury.
- If your battery is old and will not accept a charge, do not leave it in the ride-on toy. Always remove a dead battery from the ride-on toy.
- After the first charge, recharge the battery for at least 12 hours after each use. Never charge the battery longer than 30 hours. Charge the battery after each use, regardless of how long the ride-on toy was used.
- Do not allow the battery to run down completely before charging.
- Charge the battery before storing the ride-on toy.
- Charge the battery at least once per month, even if the ride-on toy has not been used.

NOTE:

- This product has CHARGING PROTECTION: when charging, all the functions will be cut off.
- Recharges after initial charge - At least 12 hours, and never charge the battery longer than 30 hours.
- When the ride-on toy begins to run slowly, recharge the battery.
- After each use, or at least once per month when not in use, recharge the battery for at least 12 hours and less than 30 hours at most.

⚠ WARNING: Use the charger in dry locations only.



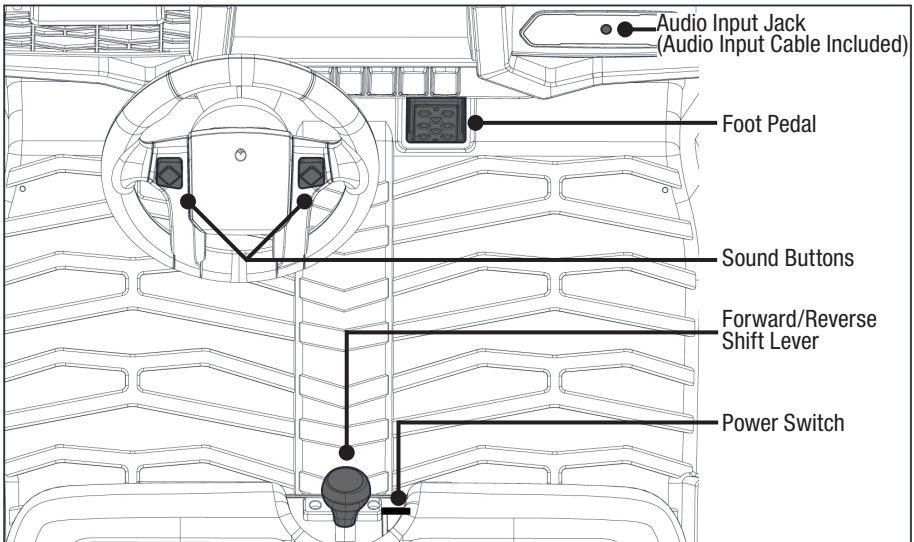
1. Plug the charger port into the input socket (the socket is under the seat).

2. Plug the charger plug into a wall outlet. The battery will begin charging.

NOTE: Red LED light indicates battery is charging and a green LED light indicates battery is nearly fully charged. (If the lights on the charger do not light up, check the power to the outlets.) If you have any charging questions or issues, please make sure that you have charged your unit according to the recommended charging times outlined in this manual, i.e., at least 18 hours before first use and at least 12 hours after each subsequent use, before contacting our Customer Service Team.

HOW TO USE YOUR RIDE-ON TOY

E



POWER SWITCH

- Turn the ride-on toy on or off.

FOOT PEDAL

- To move the car, press the foot pedal down.
- To stop, take your foot off the foot pedal.

FORWARD-REVERSE SHIFT LEVER

- To move the car forward at high speed, shift the lever to the “High” position.
- To move the car forward at low speed, shift the lever to the “Low” position.
- To move the car backward, shift the lever to the “Reverse” position.

NOTE: Use low speed until you get familiar with your new ride-on toy.

SOUND BUTTON

To activate sound, press the button on the steering wheel.

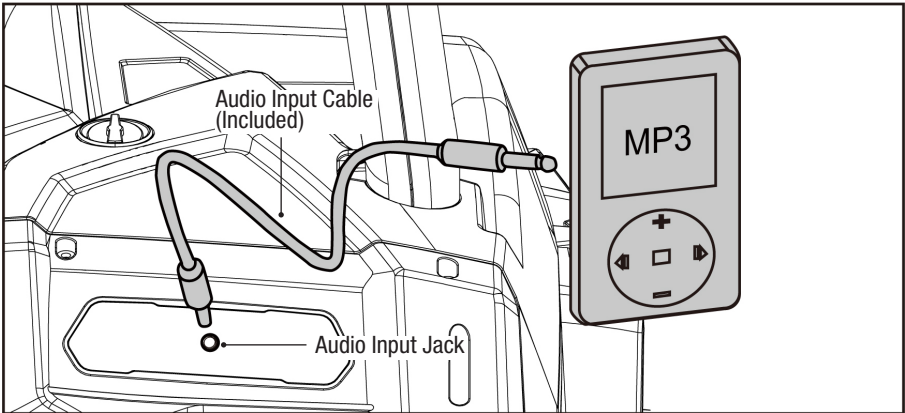
STOP

To stop the ride-on toy, you must take your foot off the pedal.

⚠ WARNING: The ride-on toy does not have brakes. Do not park or ride on any slopes or steep inclines.

⚠ WARNING: For your safety, this ride-on toy has been designed with a one second delay start. When the pedal is pressed, the ride-on toy will start to move one second later.

⚠ WARNING: Use low speed until you get familiar with your new ride-on toy.



Audio Input Jack

Use the Audio input cable (Included) to connect your MP3 player or other compatible audio device with this ride-on toy to listen to and enjoy music.

1. Plug one end of the audio input cable (Included) into the audio input jack on the ride-on toy as shown.
2. Plug the other end of the audio input cable into the headphone jack on your audio device or MP3 player.
3. Adjust your audio device or MP3 player volume to low level.
4. Then adjust the volume to increase or decrease its sound level as desired.

NOTE: MP3 player or Audio Device not included.

⚠ WARNING: Do not let use of the sound buttons, an MP3 player, or other audio device interfere with safe riding.

⚠ WARNING:

- Maximum load weight on the cargo bed is 11 lb (5 kg).
- No stepping on or in cargo bed.
- No climbing on or in cargo bed.
- Never ride in cargo bed.


⚠ WARNING: For your safety, this ride-on toy has been designed with a one second delay start. When the pedal is pressed, the ride-on toy will start to move one second later.

IMPORTANT

- Always stop ride-on toy when changing the direction to avoid damage to the gears and motor.
- This ride-on toy has an adjustable seat belt; instruct children on how to fasten the seat belt before using.
- Do not let any child touch the wheels or be near them when the ride-on toy is moving.
- To avoid accidents, inspect the ride-on toy before riding to ensure that it is in proper working order and safe to ride.
- This toy has no brake; to stop, remove foot from the foot pedal.
- Check all the screws, cap nuts and protective coverings regularly and tighten as required. Check plastic parts on a regular basis for cracks or broken pieces.
- Your new battery must be charged for at least 18 hours before you use it in your ride-on toy for the first time.
- Do not wash the ride-on toy with water; clean it with a cloth.

SAFETY PRECAUTIONS

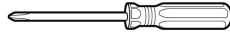
- Children must have adult supervision at all times.
- Do not ride on the road, footpaths, near pools, or bodies of water.
- Do not allow children under the recommended age to ride the ride-on toy; refer to the age grading.
- Do not allow riders over the recommended weight rating or outside of the recommended age range to use the ride-on toy.
- To stop the ride-on toy, you must take your foot off the pedal.
- Charging should only be done by an adult.
- An adult must teach the child how to operate the ride-on toy.
- Do not ride on hills or slopes, in sand or on other soft, wet, or slippery surfaces.
- Do not use a different size battery. Use only original or recommended replacement batteries.
- The ride-on toy is designed to carry only a maximum weight of 130lb at a time. Never allow more than two riders or over-load the ride-on toy.
- This product should be assembled and checked by adults before use.

 WARNING: This ride-on has no brake; to stop take foot off foot pedal. Do not park or ride on any slopes or steep inclines.

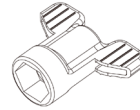
DETAILED MAINTENANCE AND REPAIR

⚠ WARNING: Disconnect power supply before conducting any maintenance procedures.

TOOLS REQUIRED:



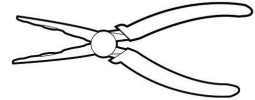
Phillips Screwdriver
(not included)



17 mm Socket Wrench
(included)



Flat head Screwdriver
(not included)

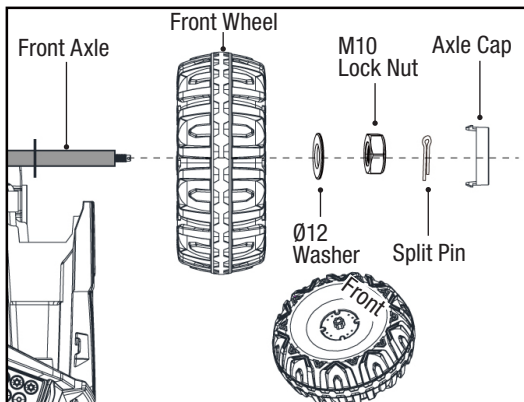


Needle-Nose Pliers
(not included)

HOW TO REPLACE FRONT WHEEL

1. Remove the axle cap by sliding a flat head screwdriver along the edge of the cap and carefully prying the cap open.
2. Use needle nose pliers to remove the split pin in the hole of the front axle end.
3. Remove the M10 locknut with a 17 mm socket wrench.
4. Remove the Ø12 washer.
5. Remove the wheel, then replace with a new wheel.
6. Remount the Ø12 washer and M10 locknut and securely tighten the wheel.
- NOTE: Do not over-tighten.**
7. Insert a split pin into the hole in the end of front axle, and split it using standard needle nose pliers.
8. Reinsert the axle cap.

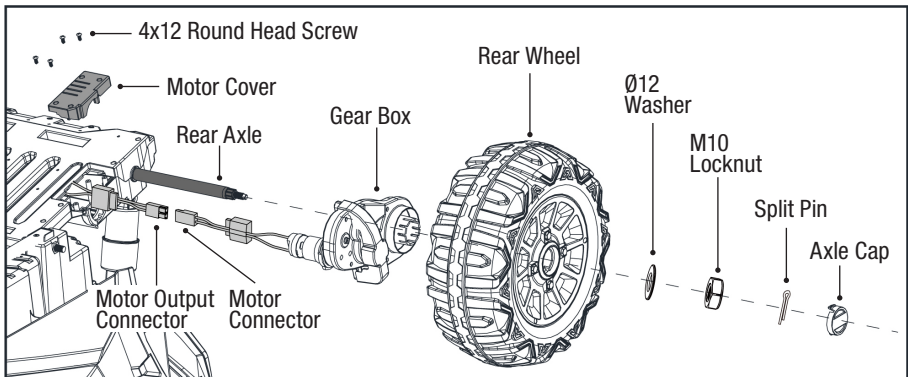
IMPORTANT: Check wheel gap (see page 10).



HOW TO REPLACE REAR WHEEL AND GEAR BOX

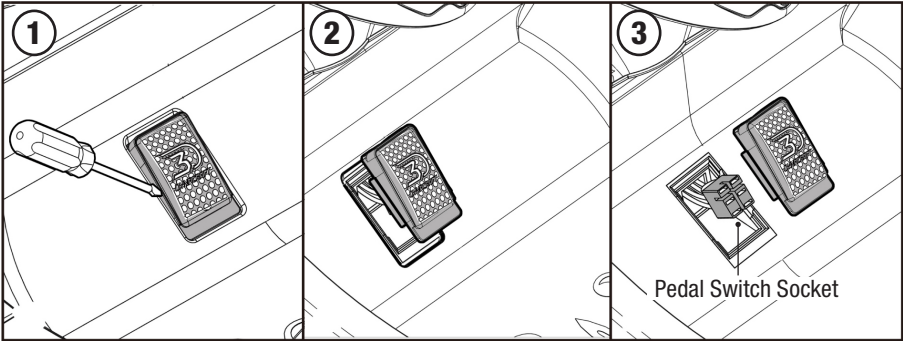
1. Remove the axle cap by sliding a flat head screwdriver along the edge of the cap and carefully prying the cap open.
2. Use needle nose pliers to remove the split pin in the hole of the rear axle end.
3. Remove the M10 locknut with a 17 mm socket wrench.
4. Remove the $\varnothing 12$ washer.
5. Remove the rear wheel and replace with a new wheel.
 - **If you do not need to replace the gear box, please proceed to step 9.**
6. Unscrew the 4 screws on the motor cover under the toy body, and remove the motor cover.
7. Unplug the motor output connector that is connected to the gearbox, and replace with a new gearbox, and tightly plug the motor output connector into the new gearbox motor connector.
8. Remount the motor cover with four 4x12 round head screws.
9. Remount the new wheels (See Rear Wheel Assembly steps on Page 10).

⚠ WARNING: Make sure the wheels are securely attached before letting anyone use the ride-on toy.



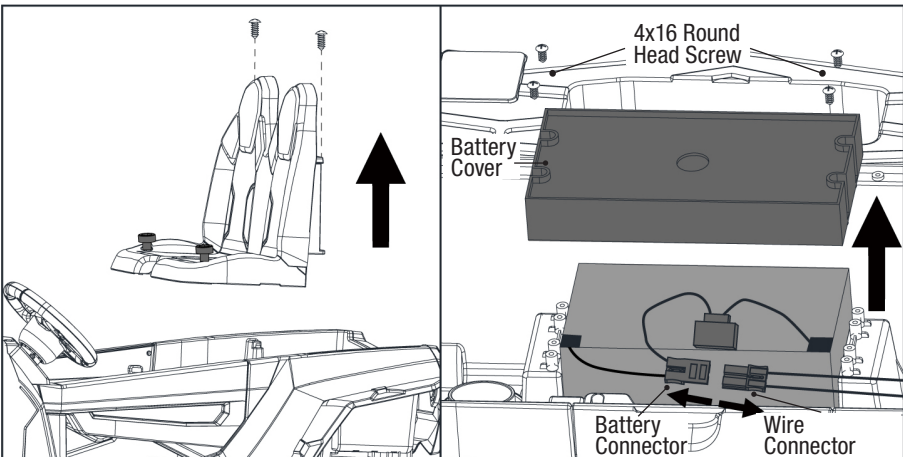
HOW TO REPLACE THE FOOT PEDAL

1. Use a flat head screwdriver to gently pry the LEFT side of foot pedal.
2. Gently remove the foot pedal.
3. Disconnect the old foot pedal from the pedal switch socket.
4. Replace the foot pedal with a new one. Connect the new pedal switch to the pedal switch socket, making sure that they are snugly connected in the correct position (see Figure 3). Insert the right side of the foot pedal into the foot pedal compartment and then gently push down on the left side of the pedal so that it snaps into place.



HOW TO REPLACE THE BATTERY

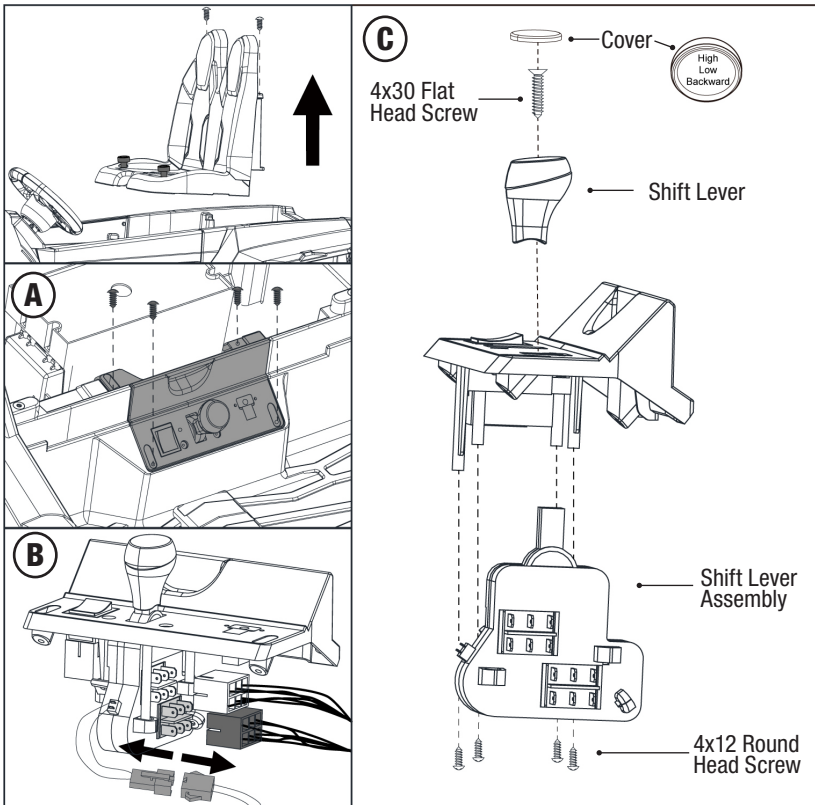
1. Unscrew the four screws on the seat and remove the seat.
2. Use a screwdriver to remove the four screws on the battery cover.
3. Unplug the wire connector (which is connected to the battery).
4. Carefully lift the dead battery out and replace it with a new battery.
5. Replace the battery cover and secure it with four 4x16 screws, plug the battery connector into the wire connector and re-mount the seat, securing it with the four screws removed in step 1, above.



HOW TO REPLACE FORWARD-REVERSE SHIFT LEVER

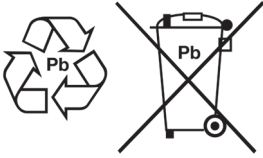
1. Unscrew the four screws on the seat and remove the seat.
2. Unscrew four 4x12 round head screws as shown to remove the Forward-Reverse Shifter Assembly from the ride-on toy body (diagram A).
3. Unplug the two switch sockets from the Forward-Reverse switches and the one connector which is connected to shift lever (diagram B).
4. Use a flat head screwdriver to pry off the shift lever cover, and then unscrew the 4x30 mm flat head screw and remove the shift lever (diagram C).
5. Unscrew the four 4x12 mm round head screws and remove the shift lever assembly.
6. Replace the shift lever assembly with a new one, securing it with the four 4x12 mm flat head screws. Reattach the shift lever using the 4x30 mm flat head screws and snap the shift lever cover back into place. Reconnect the two switch sockets and one connector, and reverse steps 1 and 2, above, to finish reinstalling the shift lever.

NOTE: Ensure the black switch socket plugs into the black switch and the white switch socket plugs into the white switch. Failure to properly connect the plugs will result in the forward and backward directions being reversed.



BATTERY CARE AND DISPOSAL

Do not store the battery in temperatures above 75° F (23.5° C) or below 32° F (0° C).



THIS PRODUCT CONTAINS SEALED LEAD ACID BATTERIES WHICH MUST BE RECYCLED IN ACCORDANCE TO YOUR LOCAL AND STATE LAWS. PLEASE CAREFULLY READ AND UNDERSTAND THE FOLLOWING DISPOSAL INSTRUCTIONS:

DISPOSAL: This product contains sealed lead acid batteries which must be disposed of or recycled in an environmentally safe manner. Do not dispose of the batteries in your household trash. Do not dispose of the batteries in a fire, as the battery may explode or leak. The incineration, disposal in landfill and/or placing sealed lead acid batteries with household trash is prohibited by law in most areas. Return exhausted batteries to a state or federal approved lead acid battery recycler or check with your local retailer of vehicle batteries. If you live in Florida, Minnesota or various other states, it is prohibited by law to throw away lead-acid batteries in the municipal waste stream. Check local laws for proper handling and recycling of lead-acid batteries.

⚠ WARNING:

- Do not mix old and new batteries. Do not mix alkaline, standard (carbon-zinc), or rechargeable (nickel-cadmium) batteries.
- If a battery leak develops, avoid contact with the leaking acid and place the battery in a plastic bag. See instructions above for proper disposal. If acid comes into contact with skin or eyes, flush with cool water for at least 15 minutes and contact a physician.
- If acid is internally ingested, give water, milk of magnesia or egg whites immediately. Never give emetics or induce vomiting. Call a physician.

CARE

- Leaving the battery in a discharged condition will ruin it.
- Always remove an exhausted battery from the ride-on toy. Battery leakage and corrosion can damage the ride-on toy.
- Do not store the battery in temperatures above 75° F (23.5° C) or below 32° F (0° C).
- Use only a 24V 7AH battery. Remember to charge the new battery for at least 18 hours before first use.
- Prevent the battery from moving freely inside the battery compartment. Always use the battery retainer to secure the battery in the battery compartment.
- Examine the battery, charger and their connectors for excessive wear or damage each time you charge the battery. If damage is detected, do not use the charger or the battery until you have replaced the worn or damaged part.

MAINTAINING YOUR RIDE-ON TOY

Occasionally use a lightweight oil to lubricate moving parts such as wheels and the steering linkages.

Park the ride-on toy indoors or cover it with a tarp to protect it from wet weather.

Keep the ride-on toy away from sources of heat, such as stoves and heaters. Plastic parts may melt.

ADULTS ONLY: Recharge the battery after each use. Recharge the battery at least once a month when the ride-on toy is not being used.

DO NOT wash the ride-on toy with a hose. **DO NOT** wash the ride-on toy with soap and water.

DO NOT drive the ride-on toy in rainy or snowy weather. Water will damage the motor, electrical system, and battery.

DO NOT store the ride-on toy, outside in the rain or exposed to the elements. The ride-on toy should be stored inside or covered to protect it from exposure to the elements.

Clean the ride-on toy with a soft, dry cloth. To restore shine to plastic parts, use a non wax furniture polish. **DO NOT** use car wax. **DO NOT** use abrasive cleaners, or cleaners that contain ammonia or isopropyl alcohol.

DO NOT drive the ride-on toy in loose dirt, sand or fine gravel, which could damage moving parts, motors or the electric system.

⚠ WARNING: Charge the battery before storing your ride-on toy, otherwise the battery will be damaged.

ABOUT FUSES

Your ride-on toy is equipped with a safety thermal fuse. The fuse is a self-resetting safety device which automatically “trips” and shuts down operation of the ride-on toy if the ride-on toy is overloaded or the operating conditions are too severe. Once a fuse has “tripped,” **do not continuously push on the foot pedal.** The fuse will automatically reset itself after approximately 2 minutes and allow the ride-on toy to resume normal operations. To avoid repeated automatic shut-downs, do not overload the ride-on toy by exceeding the 130 lb (59 kg) maximum weight capacity or by towing anything behind the ride-on toy. Avoid severe driving conditions, such as driving up slopes or running into fixed objects, which can cause the wheels to stop spinning while power is still being supplied to the motor.

TROUBLE SHOOTING GUIDE

G

Problem	Possible Cause	Solution
Ride-on toy does not run	Undercharged battery	<p>Charge the battery. A new battery should have been charged for at least 18 hours before using the ride-on toy for the first time. After first-time use, recharge the battery for at least 12 hours after each use. Never charge the battery longer than 30 hours.</p> <p>Check all connectors. Make sure the battery connector is tightly plugged into the wire connector, and that the charger is plugged into the wall outlet.</p> <p>Make sure that there is power flow to the wall outlet.</p>
	Tripped thermal fuse	<p>The thermal fuse may “trip” and shut down operation if the ride-on toy is overloaded or the driving conditions are too severe. Once a fuse has “tripped”, remove your foot from the pedal and wait approximately 2 minutes before operating the ride-on toy again. To avoid repeated automatic shutdowns, do not overload the ride-on toy by exceeding the 130lb maximum weight capacity or by towing anything behind the ride-on toy. Do not drive up hills or run into fixed objects, which can cause the wheels to stop spinning while power is still being supplied to the motor.</p>
	Electrical switch damage	<p>The electrical switches can become corroded due to exposure to water or moisture, or can jam due to loose dirt, sand or gravel. Please contact our Customer Service Team. dynacraftwheels.com/contact</p>
	Dead battery	<p>Check all wires and connectors. Make sure the battery connector is tightly plugged into the wire connector and that there are no loose wires around the motor.</p> <p>If your battery is old or if you have not followed Battery Care instructions, your battery may be dead. Replace only with an original 24V 7AH battery. Do not use non-original substitute parts.</p>
	Motor damage	<p>Please contact our Customer Service Team. dynacraftwheels.com/contact</p>

Problem	Possible Cause	Solution
Ride-on toy was running but suddenly stopped	Loose wires or connectors	Check all wires and connectors. Make sure the battery connector is tightly plugged into the wire connector, and that there are no loose wires around the motor.
	Tripped thermal fuse	The thermal fuse may “trip” and shut down operation if the ride-on toy is overloaded or the driving conditions too severe. Once a fuse has “tripped”, remove your foot from the pedal and wait approximately 2 minutes before operating the ride-on toy again. To avoid repeated automatic shutdowns, do not overload the ride-on toy by exceeding the 130 lb maximum weight capacity or by towing anything behind the ride-on toy. Do not drive up hills or run into fixed objects, which can cause the wheels to stop spinning while power is still being supplied to the motor.
Short run time (Less than 15 minutes per charge)	Undercharged battery	Charge the battery. A new battery should have been charged for at least 18 hours before using the ride-on toy for the first time. After first-time use, recharge the battery for at least 12 hours after each use. Never charge the battery longer than 30 hours. Check all wires and connectors. Make sure the battery connector is tightly plugged into the wire connector, and that the charger is plugged into the wall. Make sure that there is power flow to the wall outlet.
	Overcharged battery	Do not charge the battery longer than 30 hours. If you suspect that your battery is damaged as a result of overcharging, change with one new original 24V 7AH battery. Do not use non-original substitute parts.
	Battery is old and will not accept full charge	Even with proper care, a rechargeable battery does not last forever. Average battery life is 1 to 3 years depending on ride-on toy use and use conditions. Replace only with an original 24V 7AH battery. Do not use non-original substitute parts.
	Motor damage	Please contact our Customer Service Team. dyncraftwheels.com/contact
	Tripped thermal fuse	The thermal fuse may “trip” and shut down operation if the ride-on toy is overloaded or the driving conditions are too severe. Once a fuse has “tripped”, remove your foot from the pedal and wait approximately 2 minutes before operating the ride-on toy again. To avoid repeated automatic shutdowns, do not overload the ride-on toy by exceeding the 130 lb maximum weight capacity or by towing anything behind the ride-on toy. Do not drive up hills or run into fixed objects, which can cause the wheels to stop spinning while power is still being supplied to the motor.

Problem	Possible Cause	Solution
Ride-on toy runs sluggishly	Undercharged battery	Charge the battery. A new battery should have been charged for at least 18 hours before using the ride-on toy for the first time. After first-time use, recharge the battery for at least 12 hours after each use. Never charge the battery longer than 30 hours. Check all connectors. Make sure the battery connector is tightly plugged into the wire connector, and that the charger is plugged into the wall outlet. Make sure that there is power flow to the wall outlet.
	Battery needs charging	Be sure to charge the battery after each use.
	Ride-on toy is overloaded	Make sure you do not overload the ride-on toy by allowing more than two riders at one time, exceeding the 130 lbs. maximum weight capacity, or by towing objects behind the ride-on toy. If the ride-on toy is overloaded, the thermal fuse may “trip”, and automatically shut down operation of the ride-on toy for approximately 2 minutes. Correct the condition that lead to the overload and adjust the driving conditions to prevent repeated automatic shutdowns.
	Driving conditions too stressful	Use only on level ground.
Sometimes the ride-on toy doesn't run, but other times it does	Loose wire or connector	Check all wires around the motors and all connectors to make sure they are tight.
The battery's thermal fuse constantly “trips”, but the ride-on toy is not overloaded and the driving conditions are not severe	Damaged battery	Replace with new battery. Replace only with an original 24V 7AH battery. Do not use non-original substitute parts.
Charger gets warm during use	It is normal for some chargers to get warm during use and is not reason for concern	No action required. If your charger does not get warm during use, it does not mean that it is not working properly.
	Some chargers do not get warm during use	
Battery makes a sizzling or gurgling noise when charging	It is normal for some batteries to make noise and swell slightly while charging and is not reason for concern	No action required. If your battery does not make noise or swell slightly while charging, it does not mean that it is not working properly.

FREE WARRANTY UPGRADE WITH REGISTRATION

CONSUMER ACTION REQUIRED
dynacraftwheels.com/register

UPGRADE YOUR WARRANTY WITH PRODUCT REGISTRATION

Free warranty upgrade with online registration at dynacraftwheels.com/register.

We respect your privacy. Any information collected by Dynacraft Wheels will never be shared with any other company or organization. See Dynacraft's privacy policy for further information: dynacraftwheels.com/dynacraft-privacy-policy.

BENEFITS OF SIGNING UP FOR FREE EXTENDED WARRANTY

- Simple, quick sign up at dynacraftwheels.com/register (proof of purchase required).
- Extra 6 months battery coverage from date of purchase.
- Extra 60 days of coverage on electric ride-on parts subject to wear and tear, from date of purchase.
- Transportation charges on replacement parts waived for the Limited Warranty period. See Limited Warranty for details.

For further enquiries call Customer Service at 1-800-551-0032 or visit dynacraftwheels.com/contact

LIMITED WARRANTY

This Limited Warranty (“Warranty”) extends only to the original retail purchaser, who must provide proof of purchase to validate any claim. As noted below, certain aspects of this Warranty can be extended free of charge to original retailer purchasers who also register their product using the provided online registration form. Proper registration via Dynacraft’s online registration form is the only way to obtain these noted extensions. This Warranty is not transferable to anyone else and is the only warranty for your Dynacraft product, to the extent permitted by law. No other express or implied warranty is given, and except to the extent prohibited by applicable law, any implied warranty of merchantability or fitness for a particular purpose on this product is hereby disclaimed. Part or model specifications are subject to change without notice. By purchasing and using your new electric ride-on toy you agree to be bound by the terms of this Warranty as set out below. This Warranty is subject to change without notice.

What does this Limited Warranty cover? This Warranty covers all parts of the electric ride-on toy to be free from defects in workmanship and materials. This Warranty is only effective if: the electric ride-on toy is used under normal conditions for its intended purposes, by a person that properly fits and is capable of controlling the vehicle; and the electric ride-on toy receives all necessary maintenance and adjustments.

What is not covered by this Limited Warranty? This Warranty does not include labor and transportation charges. You, the original purchaser will be responsible for labor or transportation charges associated with the repair or replacement of any parts found to be eligible for warranty coverage. Those original purchasers who qualify for the extended version of this Warranty will have transportation charges waived for the duration of the Limited Warranty period. This warranty does not cover damage caused by normal wear and tear, crash collision, misuse, abuse, neglect, improper assembly, improper maintenance, lack of maintenance, alteration, or any similar damage to the ride-on toy.

This Warranty will be void if the electric ride-on toy is ever: installed with a motor or modified in any other way; rented or used for commercial purposes; or used in a manner contrary to the instructions in the Owner’s Manual included with this product. Dynacraft will not be liable for incidental or consequential loss or damage, due directly or indirectly from use of this product.

For how long does this Limited Warranty last? The ride-on toy, with the exception of the battery and cosmetic parts as described below, is warranted against defective materials or workmanship for a period of one year from the original date of purchase.

The battery is warranted against defective materials or workmanship for a period of six months from the original date of purchase. For those original purchasers who qualify for the extended version of this Warranty, the battery is warranted for a period of one year from date of purchase.

Parts and accessories considered to be cosmetic and not essential for the operation of this electric ride-on toy as well as those parts and accessories subject to normal wear and tear are warranted against defective materials or workmanship for a period of 30 days from the original date of purchase. An original receipt confirming the original date of purchase is required to validate your warranty. For those original purchasers who qualify for the extended version of this Warranty, cosmetic/wear-and-tear components are covered for 90 days from date of purchase. Parts and accessories considered cosmetic include, but are not limited to: mirrors; doors; fenders; stickers/decals; decorations/accessories; and fur Coverings (for plush animal electric ride on toys). Parts and accessories subject to wear and tear include, but are not limited to wheels and wheel components.

What will Dynacraft do to honor this Limited Warranty? Dynacraft will replace any component or battery confirmed to be defective and eligible for warranty replacement with the same or a functionally equivalent part. You, the original purchaser will be responsible for any and all labor or transportation charges connected with the replacement or repair of the ride-on toy or any covered parts.

How do you make a claim under this Limited Warranty? Warranty claims should be submitted via Dynacraft’s online portal at dyncraftwheels.com/contact. Please have your proof of purchase available before contacting to validate your claim. Products can be registered at dyncraftwheels.com/register.

DO NOT RETURN THIS ITEM TO THE STORE
CONTACT DYNACRAFT CUSTOMER SERVICE FOR ASSISTANCE

dynacraftwheels.com/contact
or 1-800-551-0032

Please have the following information available:

Model Number

Example: 8000-00

Production Date

Example: MM.DD.YYYY

Serial Number

Example: DXXXX00000000

This information is provided on a white sticker located on your unit and is required to help us handle your request.
Please do not remove the sticker from your unit.



DYNACRAFT®

Dynacraft BSC, Inc.
1501 Crossgate Road
Port Wentworth, GA 31407
Call Toll Free 1-800-551-0032
dynacraftwheels.com
©2022 All rights reserved

2022 Printed in China

BM306