

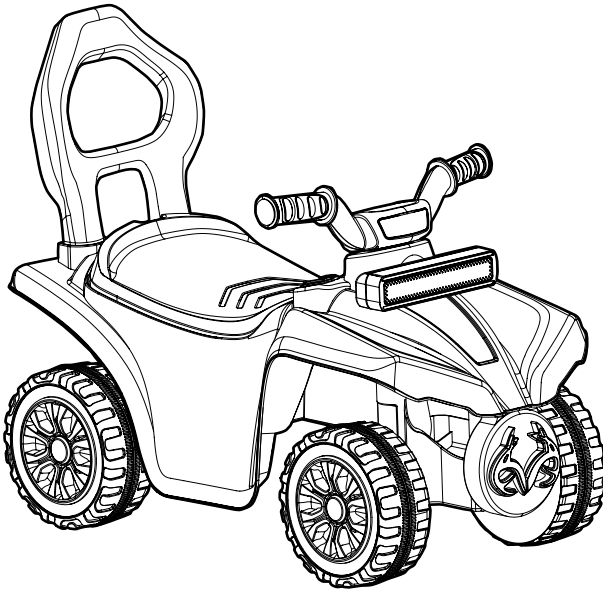


DYNACRAFT®

OWNER'S MANUAL

REALTREE RIDE-ON

THIS MANUAL CONTAINS IMPORTANT SAFETY, PERFORMANCE AND MAINTENANCE INFORMATION. READ THE MANUAL BEFORE TAKING YOUR FIRST RIDE OR ALLOWING YOUR CHILD TO RIDE YOUR NEW RIDE-ON TOY. KEEP THE MANUAL HANDY FOR FUTURE REFERENCE.



DO NOT RETURN THIS ITEM TO THE STORE
CONTACT DYNACRAFT CUSTOMER SERVICE FOR ASSISTANCE

dyncraftwheels.com/contact

or 1-800-551-0032 9 AM–5 PM ET

FOR AGES 18–36 MONTHS
MAXIMUM WEIGHT: 40lb (18kg)

NOTE: Illustrations in this Manual are for reference purposes only and may not reflect the exact appearance of the actual product. Specifications are subject to change without notice.

TABLE OF CONTENTS

A Introduction, Safety and Warnings	3
B Before You Begin Assembly	7
C Parts Diagram	8
D Assembly	9
E Maintenance.	11
F Limited Warranty	14

SPECIFICATIONS

SUITABLE AGE	18-36 Months
CAPACITY.	Up to 40 lb (18 kg)
SIZE OF RIDE-ON TOY.	55 x 27 x 45 cm

INTRODUCTION, SAFETY AND WARNINGS

ABOUT THIS MANUAL: This Manual was written to help you and your child get the most performance, comfort, enjoyment and safety when riding your new ride-on toy. It is important for you to understand your new ride-on toy. By reading this manual before you let your child go out on his/her first ride, you will know how to get the most from your new ride-on toy. It is also important that you or your child's first ride be in a controlled environment, away from cars, obstacles, and other riders.

⚠ GENERAL WARNING: Riding a ride-on toy can be a dangerous activity, even under the best of circumstances. Proper maintenance of your new ride-on toy is your responsibility and helps reduce the risk of injury. Certain conditions may cause components to fail without fault of the manufacturer. The ride-on toy can and is intended to move, and it is therefore possible to lose control, fall off and/or get into dangerous situations that no amount of care, instruction or expertise can eliminate. If such a thing does occur, your child can become seriously injured or die, even when using safety equipment and other safety precautions.

⚠ WARNING: To reduce risk of injury, adult supervision is required. Never use in roadways, near motor vehicles, on or near steep inclines or steps, swimming pools or other bodies of water; always wear shoes, and never allow more than one (1) rider.

⚠ WARNING: CHOKING HAZARD. May contain small parts in unassembled state. Adult assembly required.

⚠ WARNING: This ride-on toy is not an off-road vehicle and is intended to be ridden on smooth, level ground. Do not ride in loose dirt, sand, or gravel. Do not ride in rain, snow, or mud, or store the ride-on toy outside without covering.

NOTE: Store the ride-on toy indoors when not in use or in a covered location. Avoid long term exposure to rain, excessive sun, or other inclement weather.

RIDE AT YOUR OWN RISK AND ALWAYS USE COMMON SENSE. This manual contains many warnings and cautions concerning the consequences of failing to inspect, maintain or properly use your ride-on toy. Because any fall can result in serious injury or even death, we do not repeat the warning of possible serious injury or death each time such a possibility is mentioned in this manual or the risk of falling leads to a warning.

ALWAYS USE PROPER RIDING ATTIRE. Always wear appropriate clothing and shoes. Never ride barefoot or in sandals and make sure that shoelaces or other fasteners are tied and kept away from the wheels and drive system of the ride-on toy.

RIDER USE AND REQUIRED PARENTAL SUPERVISION

RIDERS MUST NOT EXCEED THE WEIGHT LIMIT OF 40 LB (18 KG) AND MUST BE OVER 18 MONTHS OLD.

The age grade for the ride-on toy is for ages 18–36 months. Just because your child is within the age and weight limitations specified for the ride-on toy, does not mean that his/her size is appropriate to fit or maintain control of the ride-on toy, or that he/she is capable of safely operating the ride-on toy. You are the best judge of whether you or your child can safely operate the ride-on toy; this includes determining whether your child is at the appropriate developmental stage for safe use of the ride-on toy. Any rider that is unable to fit comfortably on the ride-on toy should never attempt to ride it. A parent's decision to allow their child to use the ride-on toy should be based on the child's maturity, skill and their ability to follow rules. Remember that the ride-on toy is intended for use only by children who are, at a minimum, able to comfortably and safely operate it.

Children operating the ride-on toy should be supervised by an adult at all times. Parents should ensure that children only use the ride-on toy safely and within their age and physical limits.

This manual contains very important safety information. It is your responsibility to completely review this information and make sure that all riders understand all of the warnings, cautions, instructions and safety topics addressed in this manual and to assure that all riders are able to safely and responsibly use the ride-on toy. You should periodically review and reinforce all information in this manual with all riders, especially children. You should also regularly inspect and maintain your ride-on toy to ensure the safety of all riders. Make sure that your new ride-on toy is properly fitted to any child riding it; that it is in good repair and safe operating condition; that you and your child have gone over the use, operation and safety information in this manual; that you and your child have learned and understand what to do and what not to do with your new ride-on toy, including observing all applicable laws, rules and common sense.

Children should be made aware of all possible riding hazards and correct riding behavior before they ride the ride-on toy and should be supervised by an adult at all times. Please explain the following to them as often as necessary.

SAFE RIDING PRACTICES AND WARNINGS

- Check and obey all local laws or regulations which may be in effect in the locations where the ride-on toy may be used.
- Always wear appropriate clothing and shoes.
- Observe the age and weight limitations on the cover of this manual.
- Always stay seated while riding the ride-on toy.
- Children must be supervised by an adult at all times to be safe.
- Always be alert and ride your ride-on toy defensively. Watch out for obstacles that could catch one of the ride-on toy's wheels or force you to turn suddenly and/or lose control. Be careful to avoid pedestrians, persons using other wheeled products (including roller or in-line skates, skateboards, scooters, bikes, etc.), children or animals who may enter your path. Always respect the rights and property of others.
- Do not attempt or perform any stunts or tricks on the ride-on toy. It is not made to withstand such misuse and abuse.
- Keep both hands on the handlebar at all times.
- Never allow more than one person to ride the ride-on toy at one time and never try to tow anything.
- Do not use near steps, water, or swimming pools.
- Do not ride in wet weather.
- Keep your fingers and other body parts away from the wheels and all other moving components.
- Never hitch onto another vehicle or let yourself be pulled or pull anyone or anything while riding the ride-on toy.
- Ride only on smooth, flat, dry surfaces such as pavement or level ground without loose debris, such as sand, leaves, rocks or gravel. Water, mud, ice, bumpy, uneven, slick, or rough surfaces could impair traction and contribute to possible loss of control.
- Do not ride on or near hills or steep inclines. Ride only on level ground to avoid tip over.
- Avoid sharp turns, bumps, drainage grates, and other obstacles.
- Do not ride at night or where there is limited visibility.
- Do not ride on surfaces that could be damaged, including carpet and certain types of vinyl or laminate flooring. Dynacraft will not be responsible for damage to such flooring. You should refer to the use and care instructions provided by the manufacturer of your particular flooring product.
- Do not ride on streets, around cars, or in foot or vehicle traffic.
- Regularly check the ride-on toy and its components. If any parts are broken or worn, do not ride the ride-on toy until you have fixed or replaced the broken or worn parts.

 WARNING: Adult assembly required.

- Do not to allow hands, feet, hair, body parts, clothing, or similar articles to come in contact with wheels or other moving parts.
- Before each cycle of operation, you must perform the pre-operation checks specified in this manual or by the manufacturer, including:
 - That the area that the unit is to be operated in is safe and suitable for safe operation;
 - That all safety labels are in place and understood by everyone, including the riders;
 - That tires/wheels are in good condition.
- Avoid sharp bumps, drainage grates, and sudden surface changes.

PRE-RIDE SAFETY CHECKLIST

- Check to make sure that all components are properly secured and are functioning according to the manufacturer's specifications.
- Components must be maintained and repaired and only with the manufacturer's authorized replacement parts. Installation should be performed only by adult, qualified personnel.

 WARNING: FAILURE TO HEED THE WARNINGS LISTED ABOVE INCREASES RISK OF POTENTIALLY SERIOUS INJURY. USE THE APPROPRIATE CAUTION WHEN RIDING AND ALWAYS WEAR APPROPRIATE CLOTHING AND SHOES.

BEFORE YOU BEGIN ASSEMBLY

B

NOTE: Remove all packing and items from the display box.

ESTIMATED ASSEMBLY TIME

You should allow approximately 5 minutes for assembly.

⚠ WARNING: DO NOT USE NON-ORIGINAL OR NON-RECOMMENDED PRODUCTS WITH YOUR RIDE-ON TOY.

Altering of the original components or use of non-recommended replacement parts may or may not be compatible with the design and will void the warranty and may cause an unsafe condition resulting in serious injury or death. Contact our Customer Service Team for original replacement parts at dynacraftwheels.com/contact.

If you experience a problem with this product, or are missing a part, please contact our Customer Service Team at dynacraftwheels.com/contact, rather than return this product to the store.

Please identify all parts before assembly and save all packaging material until assembly is complete to ensure that no parts are discarded.

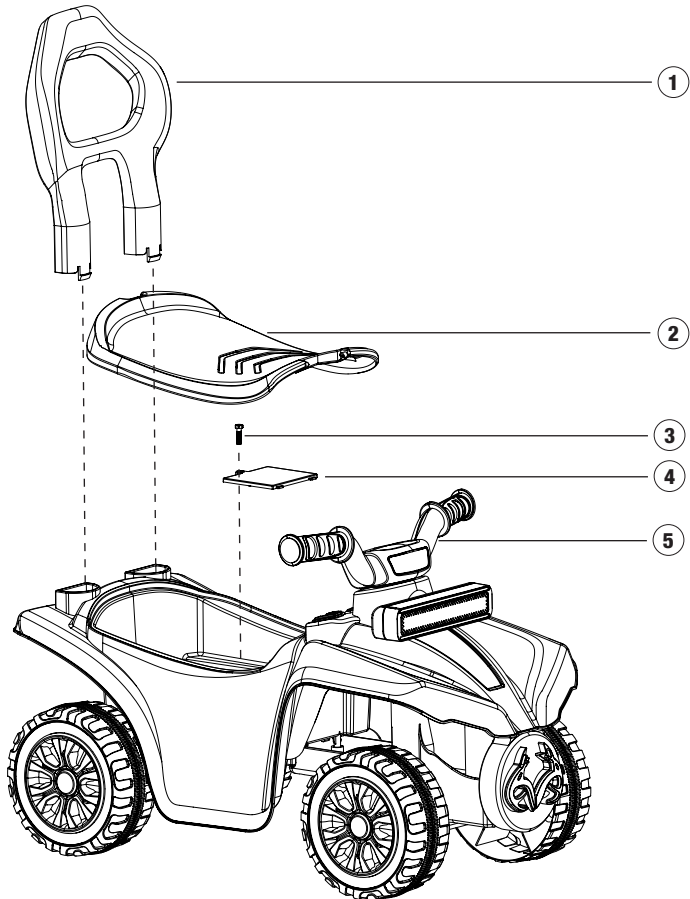
PARTS DIAGRAM

C

Tools Required



Screwdriver
(not included)



1. Back Seat x1
2. Seat x1
3. M3.5 x 10mm Round Head Screw x1
4. Batteries Cover x1
5. Body Assembly x1

ASSEMBLY

D

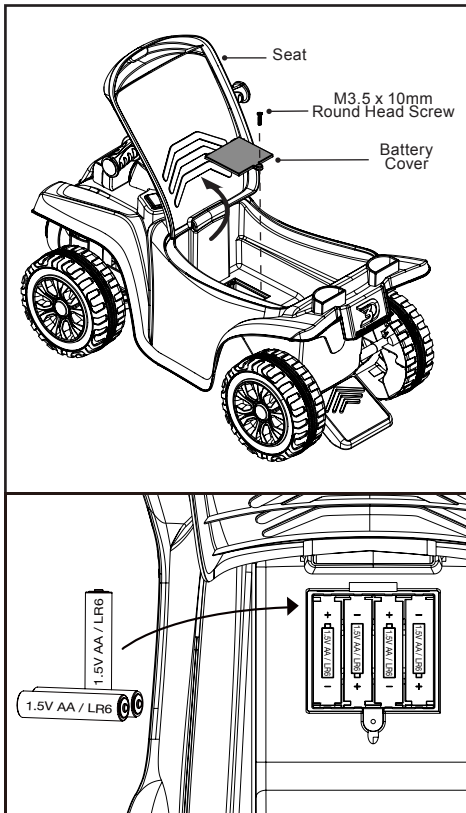
Your new ride-on toy has already been assembled at the factory, but there are a couple of things you need to do before you get started.

TOOLS REQUIRED:

Phillips Screwdriver
(not included)



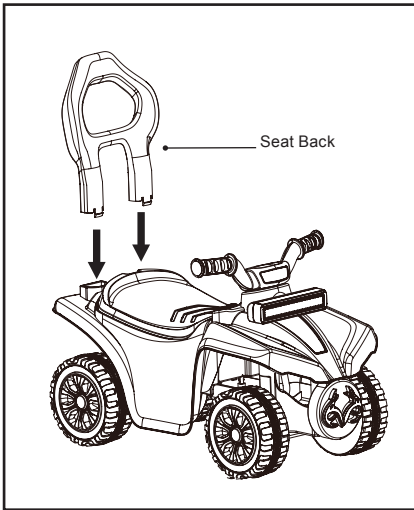
⚠ WARNING: THE RIDE-ON TOY IS TO BE ONLY BY AN ADULT. As shipped in the box, it is partially assembled and in that state contains sharp edges and points on screws that are potentially hazardous to young children. An adult should assemble the ride-on without any help from children. Do not let children use the ride-on until assembly is complete.



1. INSTALL BATTERIES UNDER SEAT

- Lift the seat by hand.
- Unscrew the screw on the batteries cover with a screwdriver and remove the cover.
- Insert 4 x 1.5V size AA AM3 or LR6 batteries as shown, and replace the batteries cover, securing it with the screw removed in the first step.
- Close seat.

NOTE: Batteries not included.



2. INSTALL SEAT BACK

- Insert Seat Back into slots in ride-on toy body, making sure it securely snaps and clicks into place.

⚠ CAUTION: Overtightening screws may result in damage.

BEFORE EACH RIDE

Before each ride, check your ride-on toy and its components against the following checklist. In addition, if you have a crash or accident, even a minor one, always inspect the ride-on toy thoroughly before riding again.

- Check that wheels are straight.
- Check attachment of wheels.
- Inspect your wheel for wear or damage.
- Check the wheels to see if they can spin smoothly.
- Check to make sure that there are no broken or worn parts and that the ride on toy is operating smoothly.

⚠ WARNING: A ride-on toy that does not work properly can cause you to lose control and fall. Inspect the entire ride-on toy thoroughly before every ride and do not ride it until any problem has been corrected.

- Periodically inspect the ride-on toy for wear or damage.
- To clean the ride-on toy, use a mild soap and water solution and clean cloth.
- Rinse clean with water to remove soap residue.
- Replace worn parts.

IMPORTANT

- Do not let any child touch the wheels or be near them when the ride-on toy is moving.
- To avoid accidents, please inspect the ride-on toy before riding to ensure that it is in proper working order and safe to ride.
- Check all the screws, cap nuts and protective coverings regularly and tighten as required. Check plastic parts on a regular basis for cracks or broken pieces.

SAFETY PRECAUTIONS

- Children must have adult supervision at all times.
- Do not ride on the road, footpaths, near pools, or bodies of water.
- Do not allow children under the recommended age to ride the ride-on toy; please refer to the age grading.
- Do not allow riders over the recommended weight rating or age grading to use the ride-on toy.
- An adult must teach the child how to operate the ride-on toy.
- Do not ride on hills or slopes, in sand or on other soft, wet, or slippery surfaces.
- The ride-on toy is designed to carry only one rider at a time. Never allow more than one rider or over-load the ride-on toy.

This product should be assembled and checked by adults before use.

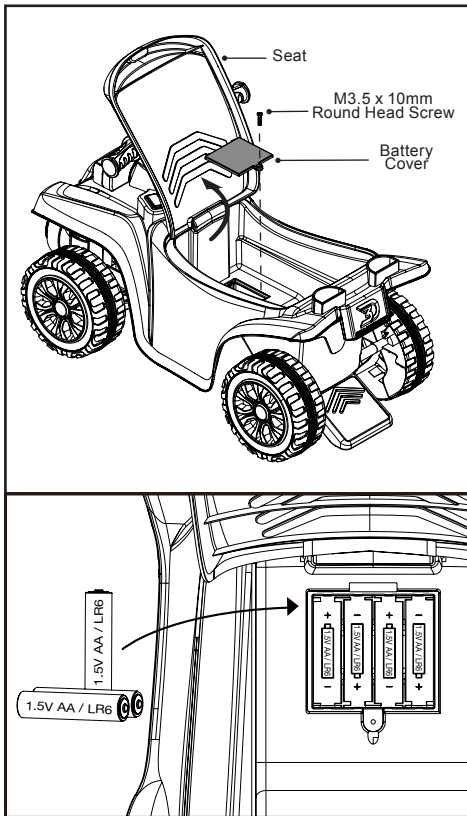
MAINTAINING YOUR RIDE-ON TOY

Occasionally use a lightweight oil to lubricate moving parts such as wheels and the steering linkages.

Park the ride-on toy indoors or cover it with a tarp to protect it from wet weather. Keep the ride-on toy away from sources of heat, such as stoves and heaters. Plastic parts may melt.

DO NOT wash the ride-on toy with a hose. **DO NOT** wash the ride-on toy with soap and water.

Clean the ride-on toy with a soft, dry cloth. To restore shine to plastic parts, use a non wax furniture polish. **DO NOT** use car wax. **DO NOT** use abrasive cleaners, or cleaners that contain ammonia or isopropyl alcohol.



1. REPLACE BATTERIES

- Lift the seat by hand.
- Unscrew the screw on the batteries cover with a screwdriver and remove the cover.
- Insert 4x 1.5V size AA AM3 or LR6 batteries as shown, and replace the batteries cover, securing it with the screw removed in the first step.
- Close seat.

NOTE: Batteries not included.

BATTERY SAFETY INFORMATION:

Batteries may leak fluids that can cause chemical burn, injury or ruin your product. To avoid battery leakage:

- Install batteries correctly, observing the polarity (+/-) signs to avoid leakage.
- Do not mix old and new batteries.
- Do not mix batteries of different types: alkaline, standard (carbon-zinc) or rechargeable (NiMH).
- Remove the batteries from the battery compartment when the unit will not be used for an extended period of time.
- Always remove exhausted batteries from the battery compartment.
- Do not dispose of batteries in fire.
- Do not short circuit the supply terminals.
- Replace the batteries when the horn sounds become distorted.
- Non-rechargeable batteries should not be recharged.
- Use only batteries of the same or equivalent type as recommended.
- If rechargeable batteries are used, they should only be charged by an adult.
- Remove rechargeable batteries from the product before charging.

NOTE:

- Make sure the batteries cover is securely fastened once you are done replacing the batteries.

⚠ CAUTION: Batteries used with this product should be kept away from children who still put things in their mouths. If swallowed, immediately see a doctor and have the doctor call (202) 625-3333 collect. If you reside outside the US, have the doctor call your local poison control center.

⚠ WARNING: Please keep batteries out of reach of children. Batteries and screws also present a hazard to young children. Removal of the battery cover and replacement of batteries should be performed by an adult without children present.

FREE WARRANTY UPGRADE WITH REGISTRATION

CONSUMER ACTION REQUIRED
dynacraftwheels.com/register

UPGRADE YOUR WARRANTY WITH PRODUCT REGISTRATION

Free warranty upgrade with online registration at dynacraftwheels.com/register.

We respect your privacy. Any information collected by Dynacraft Wheels will never be shared with any other company or organization. See Dynacraft's privacy policy for further information: dynacraftwheels.com/dynacraft-privacy-policy.

BENEFITS OF SIGNING UP FOR FREE EXTENDED WARRANTY

- Simple, quick sign up at dynacraftwheels.com/register (proof of purchase required).
- Extra 60 days of coverage on ride-on parts subject to wear and tear, from date of purchase.
- Transportation charges on replacement parts waived for the Limited Warranty period. See Limited Warranty for details.

For further enquiries call Customer Service at 1-800-551-0032 or visit dynacraftwheels.com/contact

LIMITED WARRANTY

This Limited Warranty (“Warranty”) extends only to the original retail purchaser, who must provide proof of purchase to validate any claim. As noted below, certain aspects of this Warranty can be extended free of charge to original retailer purchasers who also register their product using the provided online registration form. Proper registration via Dynacraft’s online registration form is the only way to obtain these noted extensions. This Warranty is not transferable to anyone else and is the only warranty for your Dynacraft product, to the extent permitted by law. No other express or implied warranty is given, and except to the extent prohibited by applicable law, any implied warranty of merchantability or fitness for a particular purpose on this product is hereby disclaimed. Part or model specifications are subject to change without notice. By purchasing and using your new ride-on toy you agree to be bound by the terms of this Warranty as set out below. This Warranty is subject to change without notice.

What does this Limited Warranty cover? This Warranty covers all parts of the ride-on toy to be free from defects in workmanship and materials. This Warranty is only effective if: the ride-on toy is used under normal conditions for its intended purposes, by a person that properly fits and is capable of controlling the vehicle; and the ride-on toy receives all necessary maintenance and adjustments.

What is not covered by this Limited Warranty? This Warranty does not include labor and transportation charges. You, the original purchaser will be responsible for labor or transportation charges associated with the repair or replacement of any parts found to be eligible for warranty coverage. Those original purchasers who qualify for the extended version of this Warranty will have transportation charges waived for the duration of the Limited Warranty period. This warranty does not cover damage caused by normal wear and tear, crash collision, misuse, abuse, neglect, improper assembly, improper maintenance, lack of maintenance, alteration, or any similar damage to the ride-on toy.

This Warranty will be void if the ride-on toy is ever: modified in any other way; rented or used for commercial purposes; or used in a manner contrary to the instructions in the Owner’s Manual included with this product. Dynacraft will not be liable for incidental or consequential loss or damage, due directly or indirectly from use of this product.

For how long does this Limited Warranty last? The ride-on toy, with the exception of the cosmetic parts as described below, is warranted against defective materials or workmanship for a period of one year from the original date of purchase.

Parts and accessories considered to be cosmetic and not essential for the operation of this ride-on toy as well as those parts and accessories subject to normal wear and tear are warranted against defective materials or workmanship for a period of 30 days from the original date of purchase. An original receipt confirming the original date of purchase is required to validate your warranty. For those original purchasers who qualify for the extended version of this Warranty, cosmetic/wear-and-tear components are covered for 90 days from date of purchase. Parts and accessories considered cosmetic include, but are not limited to: mirrors; doors; fenders; stickers/decals; decorations/ accessories. Parts and accessories subject to wear and tear include, but are not limited to wheels and wheel components.

What will Dynacraft do to honor this Limited Warranty? Dynacraft will replace any component confirmed to be defective and eligible for warranty replacement with the same or a functionally equivalent part. You, the original purchaser will be responsible for any and all labor or transportation charges connected with the replacement or repair of the ride-on toy or any covered parts.

How do you make a claim under this Limited Warranty? Warranty claims should be submitted via Dynacraft’s online portal at dynacraftwheels.com/contact. Please have your proof of purchase available before contacting to validate your claim. Products can be registered at dynacraftwheels.com/register.

DO NOT RETURN THIS ITEM TO THE STORE
CONTACT DYNACRAFT CUSTOMER SERVICE FOR ASSISTANCE

dynacraftwheels.com/contact
or 1-800-551-0032 9AM–5 PM ET

Please have the following information available:

Model Number

Example: 8000-00

Production Date

Example: MM.DD.YYYY

Serial Number

Example: DXXXX00000000

This information can be found on a white sticker under your unit, and is required to help us handle your request effectively.



DYNACRAFT[®]

Dynacraft BSC, Inc.
1501 Crossgate Road
Port Wentworth, GA 31407
Call Toll Free 1-800-551-0032
Monday – Friday 9AM to 5PM EST
dynacraftwheels.com
©2021 All rights reserved

2021 Printed in China

BM294