



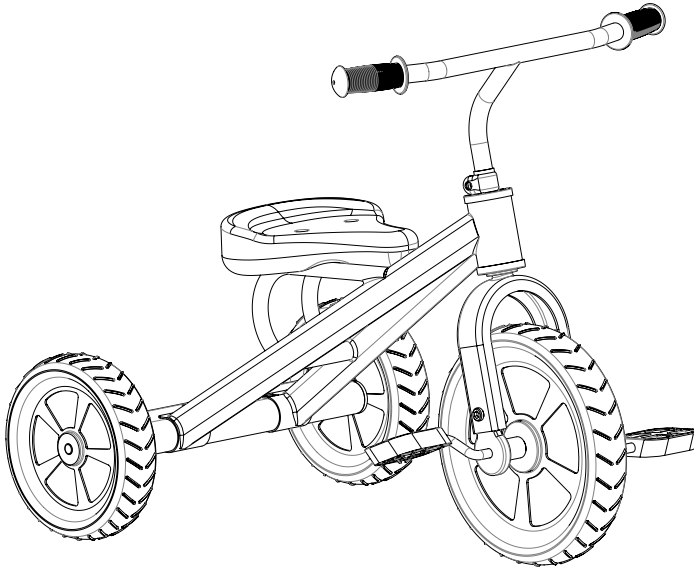
DYNACRAFT®

OWNER'S MANUAL

TRIKE



THIS MANUAL CONTAINS IMPORTANT SAFETY, PERFORMANCE AND MAINTENANCE INFORMATION. READ THE MANUAL BEFORE TAKING YOUR FIRST RIDE OR ALLOWING YOUR CHILD TO RIDE YOUR NEW TRIKE. KEEP THE MANUAL HANDY FOR FUTURE REFERENCE.



DO NOT RETURN THIS ITEM TO THE STORE
CONTACT DYNACRAFT CUSTOMER SERVICE FOR ASSISTANCE

dynacraftwheels.com/contact

or 1-800-551-0032

FOR AGES 2-4
MAXIMUM WEIGHT: 60 lb (27 kg)

NOTE: Illustrations in this Manual are for reference purposes only and may not reflect the exact appearance of the actual product. Specifications are subject to change without notice.

TABLE OF CONTENTS

A Introduction, Safety and Warnings	3
B Before You Begin Assembly	6
C Parts Diagram	7
D Setup, Assembly and Adjustment	8
E Detailed Maintenance	9
F Limited Warranty	10

SPECIFICATIONS

SUITABLE AGE.	2-4
WEIGHT LIMIT.	Up to 60 lb (27 kg)
SIZE.	67.9 x 48.3 x 53.3 cm

INTRODUCTION, SAFETY AND WARNINGS

ABOUT THIS MANUAL: This manual was written to help you get the most performance, comfort, enjoyment and safety when your child is riding his or her new trike. It is important for you to understand your child's new trike, how your child should use it and what you need to do to keep your child safe. This manual contains many "Warnings" and "Cautions" concerning the consequences of failing to maintain or inspect your trike. Because any incident can result in serious injury or even death, we do not repeat the warning of possible serious injury or death each time such a warning is mentioned.

⚠ GENERAL WARNING: Riding a trike can be a dangerous activity, even under the best of circumstances. Proper maintenance of your new trike is your responsibility and helps reduce the risk of injury. Certain conditions may cause components to fail without fault of the manufacturer. The trike can and is intended to move, and it is therefore possible to lose control, fall off and/or get into dangerous situations that no amount of care, instruction or expertise can eliminate. If such a thing does occur, your child can become seriously injured or die, even when using safety equipment and other safety precautions. The following manual is **ONLY** a guide to assist you.

⚠ WARNING: TO AVOID SERIOUS INJURY—Continuous adult supervision required; never use near motor vehicles; never use near streets, swimming pools, hills, steps, or sloped driveways; always wear a helmet and shoes when using trike; allow only one rider at a time.

⚠ WARNING: Adult assembly required. Choking hazard to children under the age of 3 years - contains small parts prior to assembly

⚠ WARNING: This trike is intended to be ridden on smooth, level ground. Do not ride in loose dirt, sand, or gravel, which could damage moving parts. Do not ride in rain, snow, or mud, or store the trike outside without covering. Water can damage components. Store trike indoors when not in use or in a covered location to avoid long term exposure to rain, excessive sun, or other inclement weather.

RIDE AT YOUR OWN RISK AND ALWAYS USE COMMON SENSE. This manual contains many warnings and cautions concerning the consequences of failing to inspect, maintain or properly use your trike. Because any fall can result in serious injury or even death, we do not repeat the warning of possible serious injury or death each time such a possibility is mentioned in this manual or the risk of falling leads to a warning. Always wear a properly fitted helmet. Always wear appropriate clothing and shoes. Never ride barefoot or in sandals and make sure that shoelaces or other fasteners are tied and kept away from the wheels of the trike.

USE, OPERATION, AND SAFETY

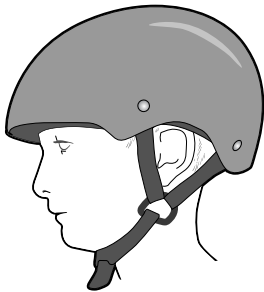
You should read this manual completely before letting your child ride your new trike. The age grade of 2 to 4 years old is based on United States government guidance on child development and appropriate toys, but young children are all different. If your child walks and runs with confidence, then the trike will help your child develop balancing skills and learn about steering. **The trike has no brake.** To stop, your child merely stops pedaling and stands up. You can not expect your child to understand how difficult it is to stop on hills or at speed, and your close supervision and sound limits about speed and grade are required for your child's safety. So encourage play and having fun with the trike, but keep it on flat surfaces or gentle slopes, always wear shoes (never barefoot, sandals or flip flops), and avoid traffic and pedestrians. **Remember only you are the best judge of whether your child is at the appropriate development stage for safe play with the trike.** Stopping is obviously very important. The seat on the trike is low to promote learning balance skills and to keep both of your child's feet close to the ground. Adjust the seat for comfort, but no higher than what will allow your child to have both feet on the ground at the same time while seated.

Always have your child wear a properly fitted helmet and appropriate clothes and shoes. Additional safety equipment including knee pads and elbow pads can also be used. The helmet is not only a good idea but required in many communities. To protect your child, the helmet must comply with CPSC, 16 CFR Section 1203 requirements and be worn correctly.

HELMETS SAVE LIVES!

⚠ WARNING: Always wear a properly fitted helmet when you ride your trike.

Do not ride at night. Avoid riding in wet conditions.



Correct fitting
Make sure your helmet covers your forehead.



Incorrect fitting
Forehead is exposed and vulnerable to serious injury.

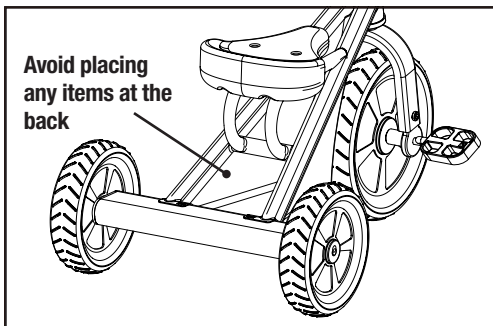
SAFE RIDING PRACTICES AND WARNINGS

The trike is intended to allow children to learn at their own pace while feeling safe that they are not going to fall. Have them start by sitting on the trike and pushing the pedals with their feet. Your responsibility is to set limits on speed and appropriate location for play. Be aware that young children often can master riding, and still will lose their balance and fall while at play. So part of your supervision is that they not leave the trike or other toys around the ground where they play as they may fall on them.

It is also your responsibility to maintain the trike after correctly assembling it. Children should be made aware of all possible riding hazards and correct riding behavior before they take off on their trike! Please explain to them as often as necessary:

- Always wear a properly fitted helmet.
- Always keep the chin strap on the helmet securely buckled.
- Observe the age and weight limitations on the cover of this manual.
- Never have more than one rider and never try to tow anything.
- Do not ride at night.
- Do not ride in wet weather. Wet weather impairs traction, stopping ability, and visibility.
- Obey all applicable, local laws when riding the trike.
- Do not ride near swimming pools, ditches or drop offs.
- Do not ride if parts are broken or worn until fixed or replaced by your parent.
- Always ride on smooth surfaces or gentle slopes and avoid too much speed.
- Do not ride on surfaces with sand, gravel, dirt, leaves, or other debris.
- Do not ride on streets, around cars, on hills, barefoot, or in skateboard or vehicle traffic.
- Speed is a danger. This product has no brake. Avoid hills, stunts, jumps, and bumps.
- Avoid sharp turns, bumps, drainage grates, trick stages, ramps, half pipes, skateboard parks, and empty swimming pools.

⚠ WARNING: Avoid placing any items at the back.



BEFORE YOU BEGIN ASSEMBLY

B

The trike is to be assembled by an adult. As shipped in the box it is partially assembled and contains potentially hazardous sharp edges and points on screws and axle rods. The box contains a package of small parts, cap nuts and fasteners that pose a swallowing hazard to small children. Assemble the trike without your child's help and keep these hazards away from your child until assembly is complete.

ESTIMATED ASSEMBLY TIME

You should allow approximately 20 minutes for assembly.

WARNING: DO NOT USE NON-ORIGINAL OR NON-RECOMMENDED REPLACEMENT PARTS OR ACCESSORIES WITH YOUR TRIKE

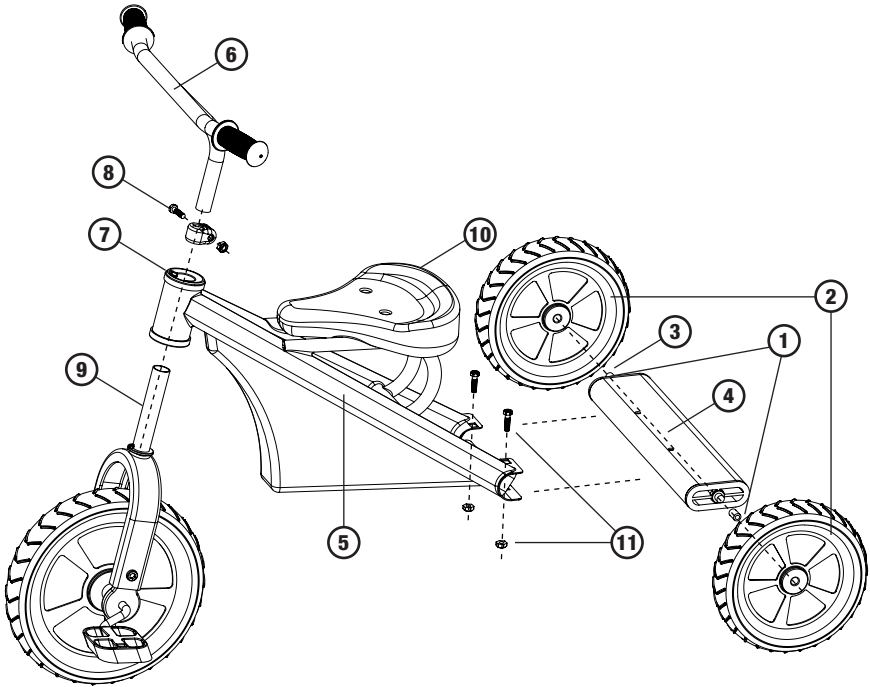
Altering of the original components or use of non-recommended replacement parts or accessories may or may not be compatible with the design may cause an unsafe condition resulting in serious injury or death. Doing so will also void your warranty.

If you experience a problem with this product, or are missing a part, please call us at **1-800-551-0032**, rather than return this product to the store.

Please identify all parts before assembly and save all packaging material until assembly is complete to ensure that no parts are discarded.

PARTS DIAGRAM

C



1. Plastic Spacers
2. Real Wheels
3. Rear Axle
4. Rear Deck
5. Frame
6. Handlebars
7. Plastic Head Tube Washer
8. Locking Ring
9. Fork with Front Wheel and Pedals
10. Seat
11. Rear Axle Nuts and Bolts

NOTE: Before assembling your trike, make sure you have all parts shown in the diagram above. The components of your trike might differ. Some of the parts shown might be optional and not part of your trike's standard equipment.

SETUP, ASSEMBLY AND ADJUSTMENT

D

The trike comes partially assembled. Adult assembly is required. Trike contains small parts and are a choking hazard to children under the age of 3 years.

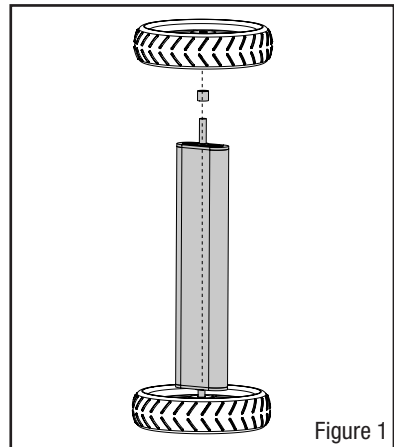
TOOLS REQUIRED:

Phillips Head Screwdriver and an Adjustable Wrench.

⚠ WARNING: Children can be harmed by small parts, sharp edges and sharp points in the trike's unassembled state. In the unassembled state, this package contains small parts. Adult assembly is required; children should not handle parts, or help in assembly of the trike.

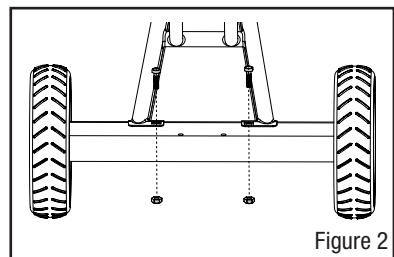
1. AXLE AND REAR DECK ASSEMBLY

- Slide the axle through the rear deck of the trike.
- Insert one plastic spacer onto the axle then snap the rear wheel to the axle until it locks into place.
- Repeat the last step on the other end of the deck. (Figure 1)



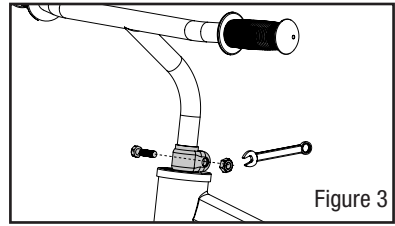
2. FRAME AND REAR AXLE ASSEMBLY

- Insert the rear deck into the slots on back of the frame.
- Be sure the seat mounts on the frame are facing upwards.
- Insert both bolts into the corresponding holes on the top of the deck.
- Attach both nuts under the deck and tighten them securely with the bolts as shown. (Figure 2)



3. HANDLEBAR AND FORK ASSEMBLY

- Insert fork into bottom of the head tube on the frame. (Note: There is a slot in the fork stem, making sure it is facing backward.)
- Slide a plastic washer followed by a locking ring over the top of the fork.
- Insert handlebar into the fork.
- Ensure the handlebar is perpendicular to and properly oriented to the front wheel.
- Ensure the minimum insertion line is below the locking ring.
- Verify the fork is flush with the head tube of the frame and tighten the locking ring with an adjustable wrench. (Figure 3)



⚠ WARNING: Failure to properly install the handlebar and secure it to the fork can result in the handlebars falling off and cause risk of injury. Periodically check to ensure the handlebar is securely attached.

DETAILED MAINTENANCE

E

BEFORE EACH RIDE

Before each ride, check your trike and its components against the following checklist. In addition, if you have a crash or accident, even a minor one, always inspect the trike thoroughly before riding again.

- Check that wheels are straight.
- Check attachment of bolt-on wheels.
- Check handlebar and stem for signs of stress and fatigue.
- Inspect your tires for wear or damage.
- Check the attachment of the handlebar.
- Check the wheels to see if they can spin smoothly
- Periodically inspect the trike for wear and damage.
- To clean the trike, use mild soap and water solution and clean cloth. Rinse clean with water to remove soap residue.

⚠ WARNING: A trike that does not work properly can cause you to lose control and fall. Inspect the entire trike thoroughly before every ride and do not ride it until any problem has been corrected.

FREE WARRANTY UPGRADE WITH REGISTRATION

CONSUMER ACTION REQUIRED
dynacraftwheels.com/register

UPGRADE YOUR WARRANTY WITH PRODUCT REGISTRATION

Free warranty upgrade with online registration at dynacraftwheels.com/register

We respect your privacy. Any information collected by Dynacraft Wheels will never be shared with any other company or organization. See Dynacraft's privacy policy for further information: dynacraftwheels.com/dynacraft-privacy-policy.

BENEFITS OF SIGNING UP FOR FREE EXTENDED WARRANTY

- Simple, quick sign up at dynacraftwheels.com/register (proof of purchase required).
- Extra 60 days of coverage on tricycle parts subject to wear and tear, from date of purchase.
- Transportation charges on replacement parts waived for the Limited Warranty period.
See Limited Warranty for Details.

For further enquiries call Customer Service at 1-800-551-0032 or visit dynacraftwheels.com/contact

LIMITED WARRANTY

This Limited Warranty (“Warranty”) extends only to the original retail purchaser, who must provide proof of purchase to validate any claim. As noted below, certain aspects of this Warranty can be extended free of charge to original retailer purchasers who also register their product using the provided online registration form. Proper registration via Dynacraft’s online registration form is the only way to obtain these noted extensions. This Warranty is not transferable to anyone else and is the only warranty for your Dynacraft product, to the extent permitted by law. No other express or implied warranty is given, and except to the extent prohibited by applicable law, any implied warranty of merchantability or fitness for a particular purpose on this product is hereby disclaimed. Part or model specifications are subject to change without notice. By purchasing and using your new trike you agree to be bound by the terms of this Warranty as set out below. This Warranty is subject to change without notice.

What does this Limited Warranty cover? This Warranty covers all parts of the trike to be free from defects in workmanship and materials. This Warranty is only effective if: the trike is used under normal conditions for its intended purposes, by a person that properly fits and is capable of controlling the trike; and the trike receives all necessary maintenance and adjustments.

Useful Life: This trike, like any other item has a useful life. A lifetime warranty on the frame does not mean and is not intended to imply that the trike will last forever. The length of the useful life of this trike will vary depending on the type of product, riding and storage conditions, and the care the trike receives.

What is not covered by this Limited Warranty? This Warranty does not include labor and transportation charges. You, the original purchaser will be responsible for labor or transportation charges associated with the repair or replacement of the frame or other components covered under this Warranty. Those original purchasers who qualify for the extended version of this Warranty will have transportation charges waived for the duration of the Limited Warranty period.

The trike frame and components have been manufactured for general transportation and recreational use by average riders, and the trikes are not intended for trick riding, ramp riding, jumping, aggressive riding or any similar, extreme activities. This Warranty does not cover normal wear and tear, paint, rust, or normal maintenance items. This Warranty does not cover claimed defects, malfunctions, or failures that result from abuse, neglect, improper assembly, improper maintenance, lack of maintenance, alteration, misuse, crashes, or any similar damage.

This Warranty will be void if the trike is ever: used in any competitive sport; used in any of the extreme activities, or similar activities mentioned above; installed with a motor or modified in any other way; ridden by more than one person at a time; rented or used for commercial purposes; or used in a manner contrary to the instructions in the Owner’s Manual included with this product. Dynacraft will not be liable for incidental or consequential loss or damage, due directly or indirectly from use of this product.

For how long does this Limited Warranty last? The frame is warranted for the Useful Life of this trike. All other components, with the exclusion of components subject to normal wear and tear are warranted for a period of one year after the original date of purchase. Defective components subject to normal wear and tear will be replaced by Dynacraft at no charge for a period of 30 days from the original date of purchase. For those original purchasers who qualify for the extended version of this Warranty, this period will be lengthened to 90 days from date of purchase. Components subject to the normal wear and tear exclusion include but are not limited to: tires; grips; and saddles.

What will Dynacraft do to honor this Limited Warranty? Dynacraft will replace, without charge to the customer, any frame or component confirmed to be defective with the same or a functionally equivalent part. You, the original purchaser will be responsible for any and all labor or transportation charges connected with the replacement or repair of the frame or other components covered under this Warranty.

How do you make a claim under this Limited Warranty? Warranty claims should be submitted via Dynacraft’s online portal at dynacraftwheels.com/contact. Please have your proof of purchase available before contacting to validate your claim. Products can be registered at dynacraftwheels.com/register.

DO NOT RETURN THIS ITEM TO THE STORE
CONTACT DYNACRAFT CUSTOMER SERVICE FOR ASSISTANCE

dynacraftwheels.com/contact
or 1-800-551-0032

Please have the following information available:

Model Number
Example: 8000-00

Production Date
Example: MM.DD.YYYY

Serial Number
Example: DXXXX00000000

This information is provided on a white sticker located on your unit and is required to help us handle your request.
Please do not remove the sticker from your unit.



DYNACRAFT®

Dynacraft BSC, Inc.
1501 Crossgate Road
Port Wentworth, GA 31407
Call Toll Free 1-800-551-0032
dynacraftwheels.com
©2021 All rights reserved

2021 Printed in China

BM194