

SLP

SERIES

Datasheet

- EFFICIENT
- POWERFUL
- SAFE

Technical Specifications

SLP-60

Wattage 60W
Lumens 8,080lm
Weight 5.4kg

[Download .IES file](#)

SLP-100

Wattage 100W
Lumens 14,020lm
Weight 6kg

[Download .IES file](#)

SLP-150

Wattage 150W
Lumens 20,593lm
Weight 7kg

[Download .IES file](#)

SLP-200

Wattage 200W
Lumens 27,520lm
Weight 7.8kg

[Download .IES file](#)



> 100,000 HRS (L70)



IP66 RATING



IK08 RATING



WARRANTY

Key features

- Flexible modular design
- Quality Nichia LED Chip
- Smooth surface heat sink
- Optional daylight sensor control
- Optional 10KV surge protection

Applications

- Street lighting
- Road lighting
- Bypass lighting
- Carpark lighting

SLP Specification

Colour Temperature

5000K Standard

CRI

75

Input Voltage

AC100 - 277V

Power Factor

>0.95

Thermal Management

YES

Body Composition

Aluminium

Lens Composition

PC Lens

Temperature Range

-40°C to +45°C

Cable

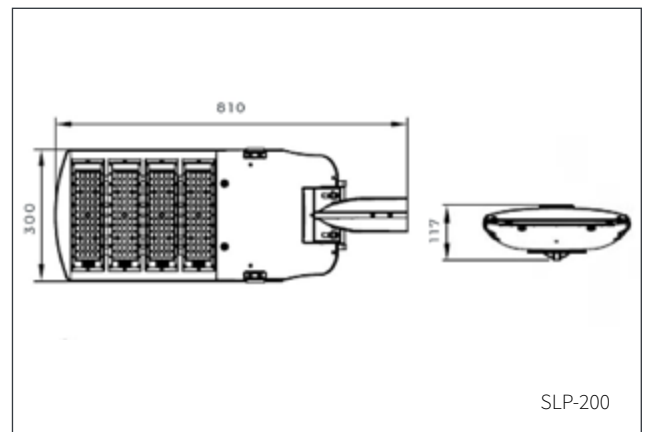
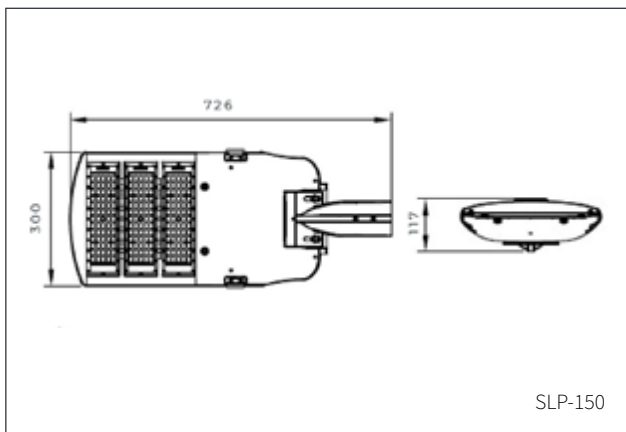
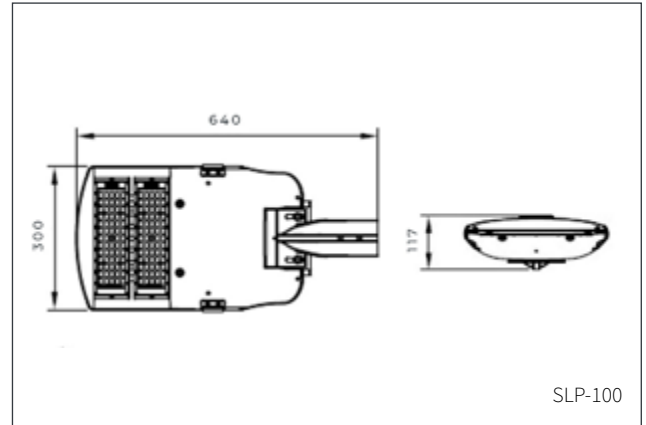
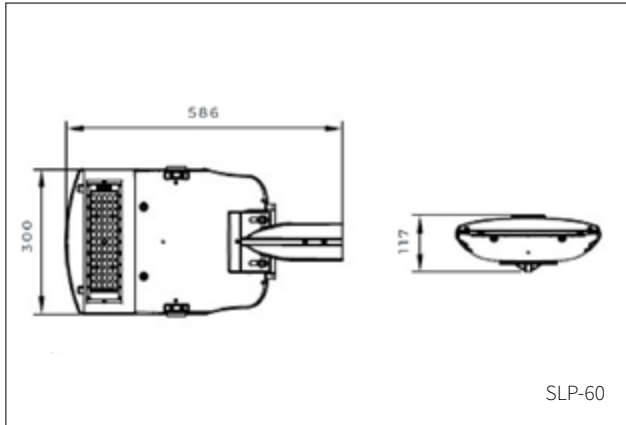
1m flex, no plug

Mounting

Spigot mount
Accepts OD of 50 - 60mm

*2500K or 5500K Available On Request

Dimensions

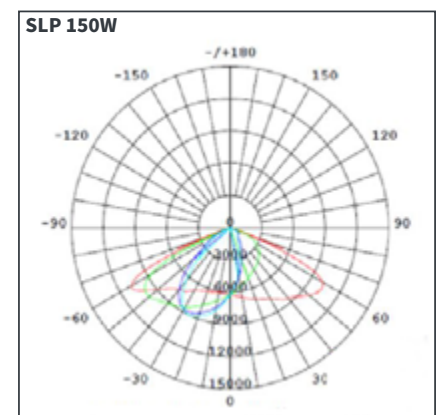


Ordering Matrix

SLP - 150 - 2B - S
Series Wattage Beam angle Option

Series	Wattage	Beam Angle	Option
SLP	60	70 X 150°	X - No option
SLP	100	70 X 150°	S - Photocell
SLP	150	70 X 150°	
SLP	200	70 X 150°	

Light Distribution



* Specifications subject to change without notice.