

Installation Manual

Please read and follow all safety instructions. Save this manual for future reference!

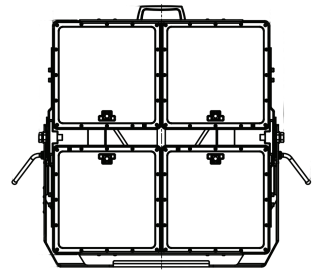
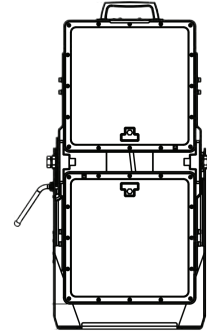
⚠ WARNING

To avoid electric shock:

- Installation and wiring of luminaire must be in accordance with all applicable local codes.
- Installation, inspection, and maintenance of luminaires should be performed by a qualified electrician.
- DO NOT make or alter any open holes in the luminaire.
- Do not modify the luminaire.
- DO NOT install damaged product.
- Make sure electrical power is OFF before and during installation and maintenance.
- Make sure the equipment is properly grounded.
- Make sure the supply voltage is same as the rated fixture voltage.

To perform maintenance:

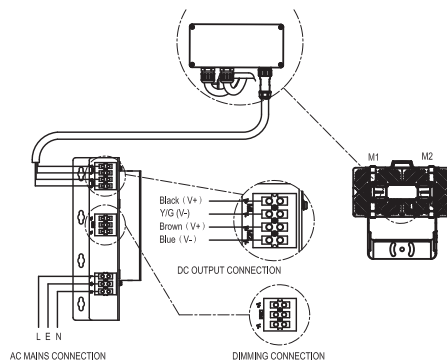
- Only use luminaire in its intended location.
- Make sure the luminaire is not covered with material that will prevent convection or conduction cooling.
- It's suggested to perform visual, electrical, and mechanical inspections on a regular basis.
- Allow luminaire to cool before handling. Do not touch enclosure or light source.



Luminaire Parameter

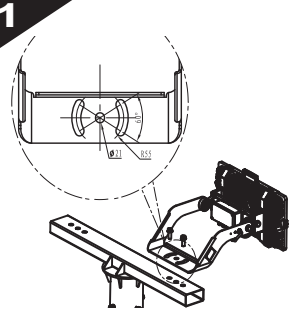
Working Temperature	-60°C~+45°C	Storing Temperature	-40°C~+65°C
Working Humidity	15%~90%RH	IP Rating	IP66

Wiring Diagram



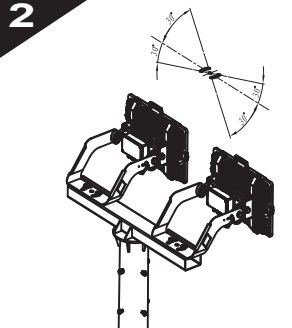
Installation

1



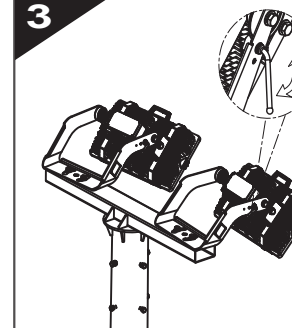
Fix the luminaire on the mounting bracket by screws.

2



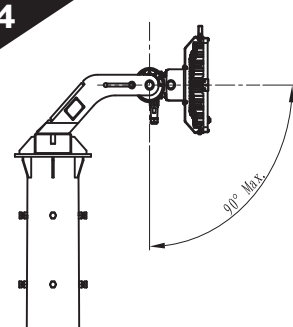
Adjust the orientation of the luminaire to achieve the desired lighting position and fasten the screws.

3



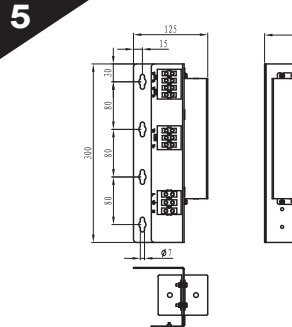
Loosen the handle of the luminaire's bracket.

4



Adjust the angle of the luminaire and then tighten the handle of the luminaire's bracket.

5



Install the driver module in the suitable location.

