

HBT

S E R I E S

Datasheet

- EFFICIENT
- POWERFUL
- SAFE

Technical Specifications

HBT-100

Wattage 100W
Lumens 13,232lm
Weight 2.3kg

HBT-150

Wattage 150W
Lumens 20,504lm
Weight 3kg

[Download .IES file](#)

HBT-200

Wattage 200W
Lumens 25,600lm
Weight 3.4kg

[Download .IES file](#)

HBT-400

Wattage 400W
Lumens 50,038lm
Weight 6.7kg

[Download .IES file](#)

HBT Specification

Colour Temperature

5000K Standard

CRI

75

Input Voltage

AC200-240V

Power Factor

>0.95

Thermal Management

YES

Body Composition

AL1070 Aluminium

Lens Composition

Tempered Glass

Temperature Range

-40°C ~ +65°C

Cable

1.8m flex and plug

*3000K or 4000K Available On Request



> 60,000 HRS (L70)



IP65 RATING



IK07 RATING



WARRANTY

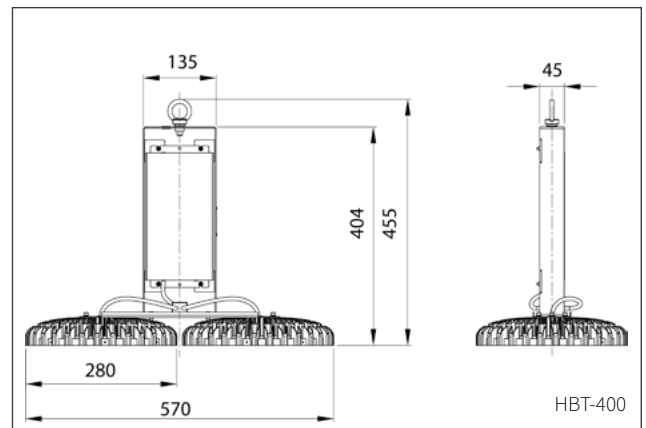
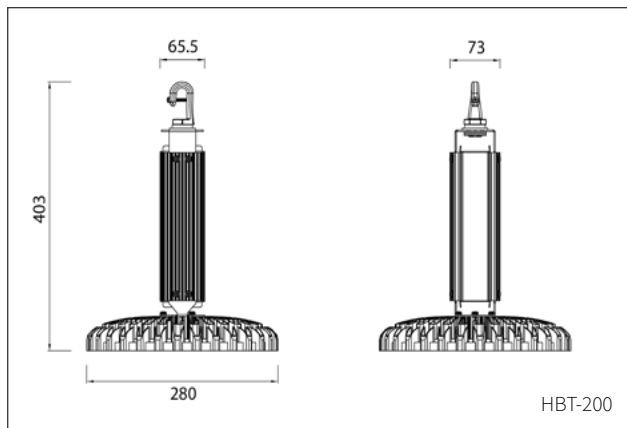
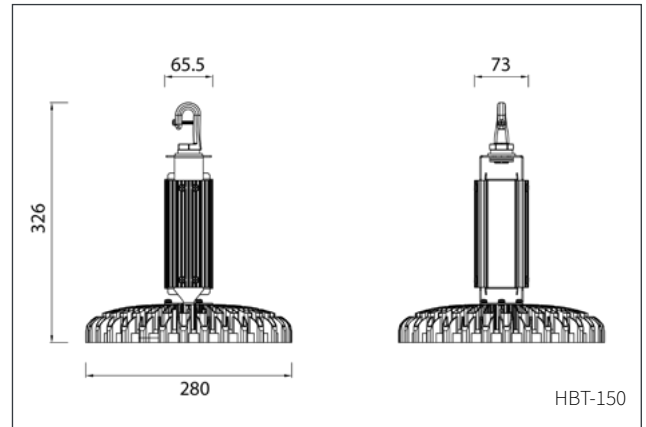
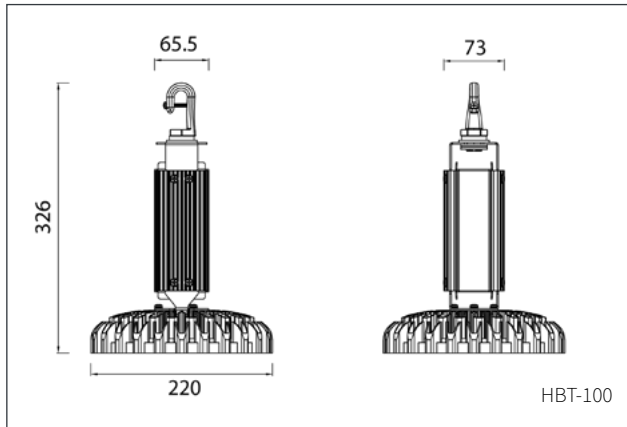
Key features

- Designed for high temperature environments
- Highly energy efficient & cost effective
- Advanced Graphene thermal conductive technology
- High light transmittance and heat resistant glass cover
- Tempered glass cover with heat resistance
- Quality Nichia LED Chip

Applications

- Factory lighting
- Warehouse lighting
- Indoor sporting centres
- High temperature area lighting
- Storage facilities

Dimensions



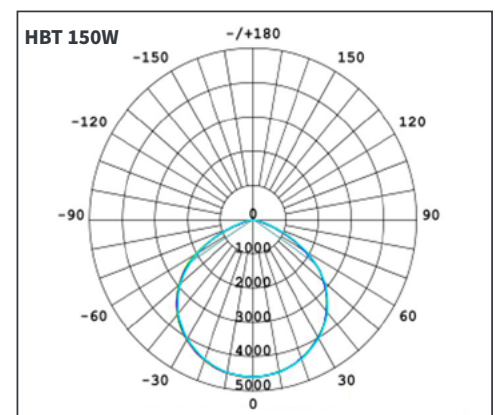
Ordering Matrix

HBT - **100** - **120**
Series Wattage Beam angle

Series	Wattage	Beam Angle
HBT	100	120°
HBT	150	120°
HBT	200	120°
HBT	400	120°

Other beam angles available upon request.

Light Distribution



* Specifications subject to change without notice.