

Installation Manual

Please read and follow all safety instructions. Save this manual for future reference!

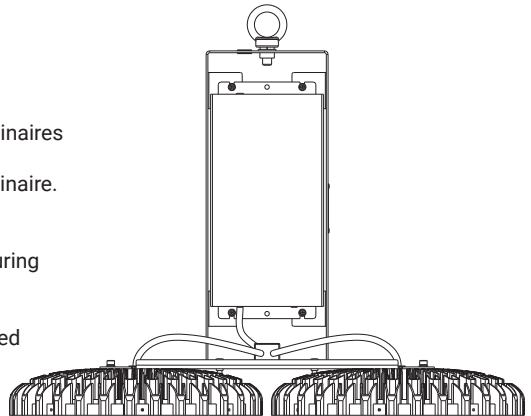
⚠ WARNING

To avoid electric shock:

- Installation and wiring of luminaire must be in accordance with all applicable local codes.
- Installation, inspection, and maintenance of luminaires should be performed by a qualified electrician.
- DO NOT make or alter any open holes in the luminaire.
- DO NOT modify the luminaire.
- DO NOT install damaged product.
- Make sure electrical power is OFF before and during installation and maintenance.
- Make sure the equipment is properly grounded.
- Make sure the supply voltage is same as the rated fixture voltage.

To perform maintenance:

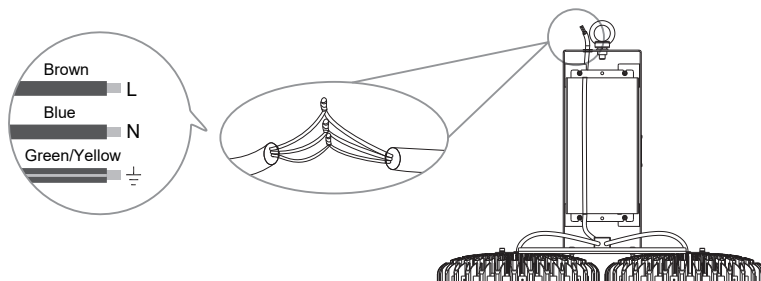
- Only use luminaire in its intended location.
- Make sure the luminaire is not covered with material that will prevent convection or conduction cooling.
- It's suggested to perform visual, electrical, and mechanical inspections on a regular basis.
- Allow luminaire to cool before handling. Do not touch enclosure or light source.



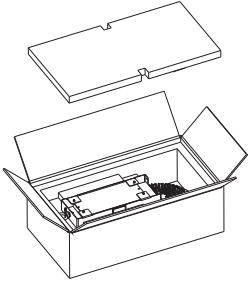
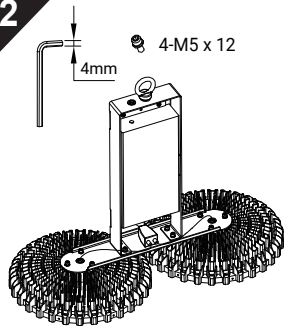
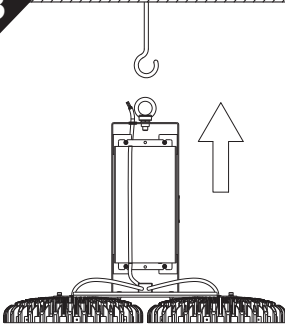
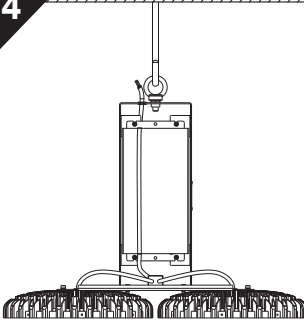
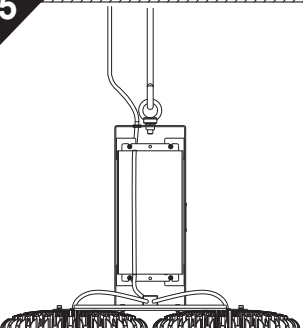
Luminaire Parameter

Working Temperature	-40°C~+50°C	Storing Temperature	-40°C~+65°C
Working Humidity	15%~90%RH	IP Rating	IP65

Wiring Diagram



Installation

<p>1</p>  <p>Remove the luminaire's from the box.</p>  <p>2</p> <p>4mm</p> <p>4-M5 x 12</p> <p>Fix the driver and the lamp body with four M5×16 allen screws, tighten the screws.</p>		
<p>3</p>  <p>Hang the luminaire's eyebolt to mounting hook.</p>	<p>4</p>  <p>Make sure the luminaire is installed safely.</p>	<p>5</p>  <p>Connect the wiring.</p>