

## Installation Manual

Please read and follow all safety instructions. Save this manual for future reference!

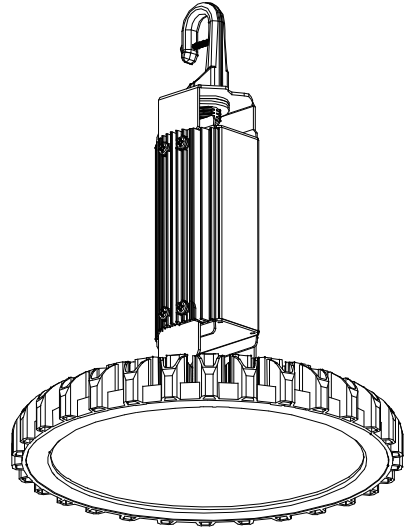
### ⚠ WARNING

#### To avoid electric shock:

- Installation and wiring of luminaire must be in accordance with all applicable local codes.
- Installation, inspection, and maintenance of luminaires should be performed by a qualified electrician.
- DO NOT make or alter any open holes in the luminaire.
- DO NOT modify the luminaire.
- DO NOT install damaged product.
- Make sure electrical power is OFF before and during installation and maintenance.
- Make sure the equipment is properly grounded.
- Make sure the supply voltage is same as the rated fixture voltage.

#### To perform maintenance:

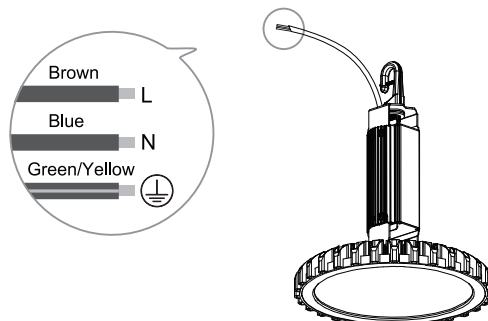
- Only use luminaire in its intended location.
- Make sure the luminaire is not covered with material that will prevent convection or conduction cooling.
- It's suggested to perform visual, electrical, and mechanical inspections on a regular basis.
- Allow luminaire to cool before handling. Do not touch enclosure or light source.



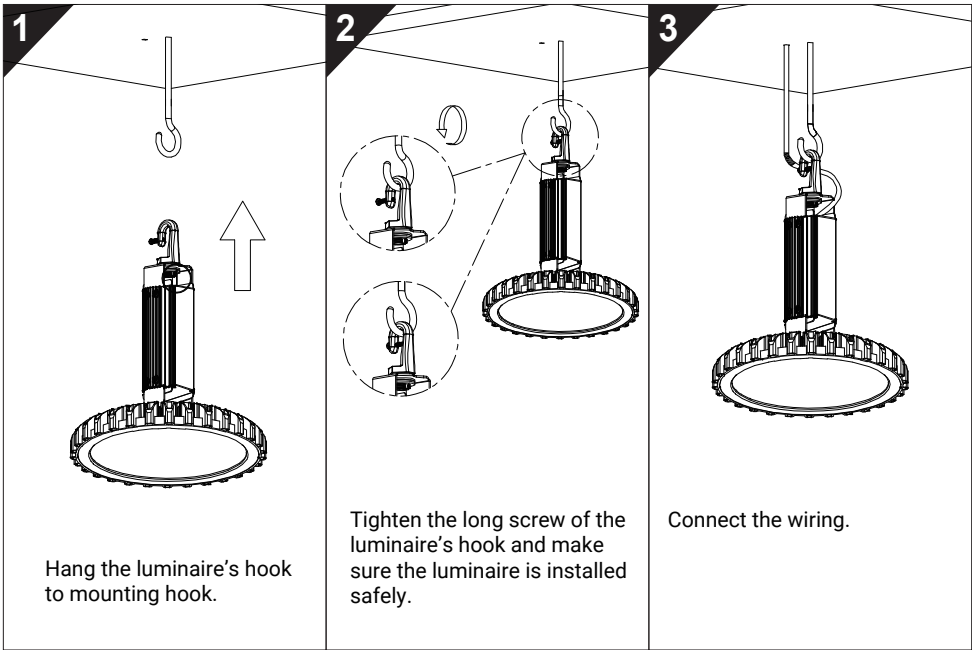
### Luminaire Parameter

Working Temperature	-40°C~+65°C	Storing Temperature	-40°C~+65°C
Working Humidity	15%~90%RH	IP Rating	IP65

### Wiring Diagram



## Installation



VISIT US ONLINE

[luminetic.com.au](http://luminetic.com.au)