

FLS

S E R I E S

Datasheet

- EFFICIENT
- POWERFUL
- SAFE

Technical Specifications

FLS-30

Wattage 30w
Lumen 3,600lm
Weight 1.2kg

FLS-100

Wattage 100w
Lumens 12,000lm
Weight 1.6kg

FLS-150

Wattage 150w
Lumens 18,000lm
Weight 2.5kg

FLS-200

Wattage 200w
Lumens 24,000lm
Weight 4.2kg

FLS Specification

Colour Temperature

5000K Standard

CRI

75

Input Voltage

AC100-240V/
AC120V-277V

Power Factor

>0.99

Thermal Management

YES

Body Composition

ADC12 Aluminium

Lens Composition

Tempered Glass

Temperature Range

-40°C ~ +40°C

Cable

FLS-30: 1m flex and plug
FLS-100/150/200:
1m flex, no plug

*3000K or 4000K Available On Request



> 50,000 HRS (L70)



IP66 RATING



IK07 RATING



WARRANTY

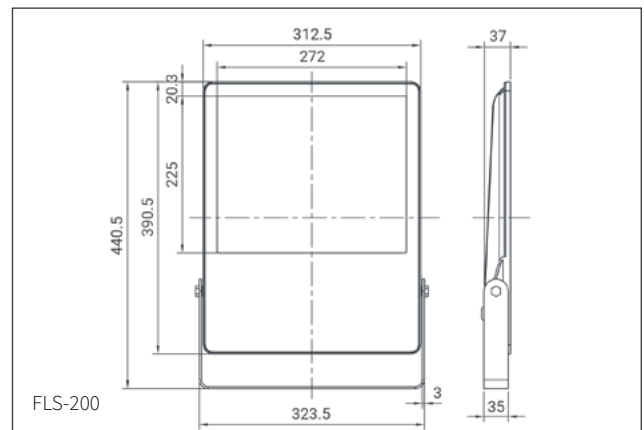
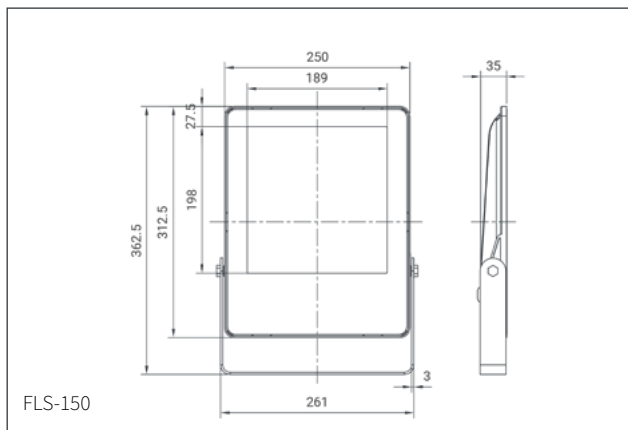
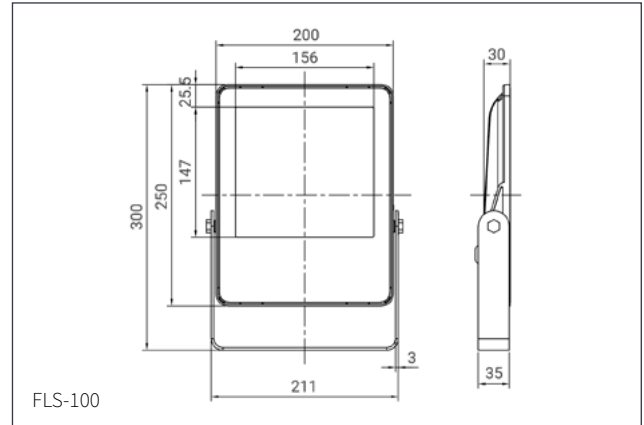
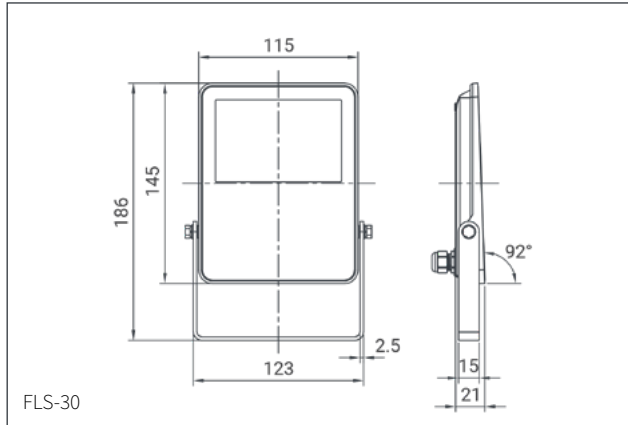
Key features

- Well designed fitting, suited for exterior flood lighting
- Highly energy efficient & cost effective
- Quality Nichia LED Chip
- Advanced Graphene Technology
- High light transmittance & anti-aging tempered glass cover

Applications

- Sports lighting
- Area lighting
- Security lighting
- Facade lighting

Dimensions

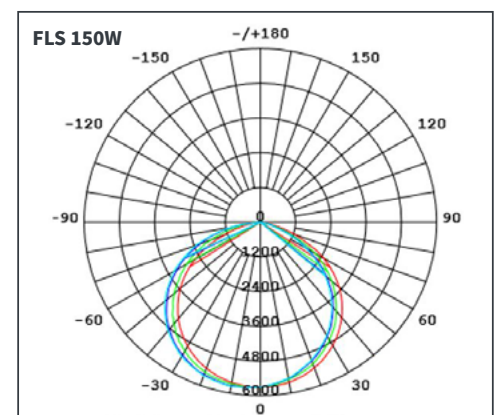


Ordering Matrix

FLS - **150** - **120**
Series Wattage Beam angle

Series	Wattage	Beam Angle
FLS	30	120°
FLS	100	120°
FLS	150	120°
FLS	200	120°

Light Distribution



* Specifications subject to change without notice.