

FLP

S E R I E S

Datasheet

- EFFICIENT
- POWERFUL
- SAFE

Technical Specifications

FLP-100

Wattage 100W
Lumens 13,620lm
Weight 2.9kg

[Download .IES file](#)

FLP-150

Wattage 150W
Lumens 20,586lm
Weight 4.8kg

[Download .IES file](#)

FLP-200

Wattage 200W
Lumens 28,383lm
Weight 5.3kg

[Download .IES file](#)

FLP Specification

Colour Temperature

5000K Standard

CRI
75

Input Voltage

AC220-240V

Power Factor

>0.95

Thermal Management

YES

Body Composition

ADC12 Aluminium

Lens Composition

Tempered Glass

Temperature Range

-40°C ~ +40°C

Cable

1m flex, no plug

*3000K or 4000K Available On Request



> 60,000 HRS (L70)



IP66 RATING



IK07 RATING



WARRANTY

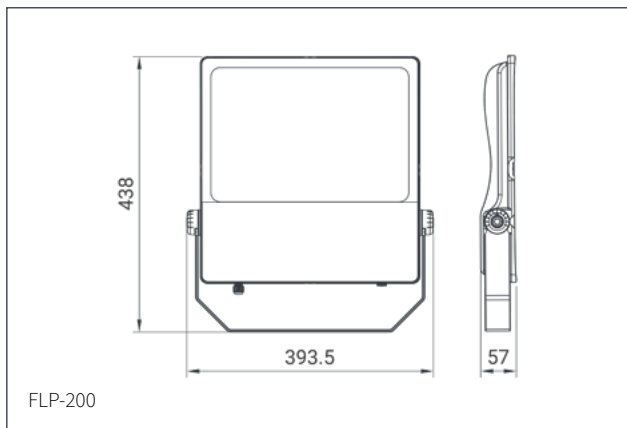
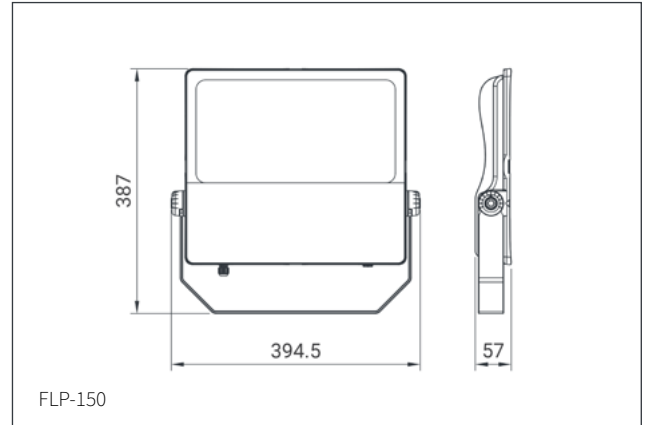
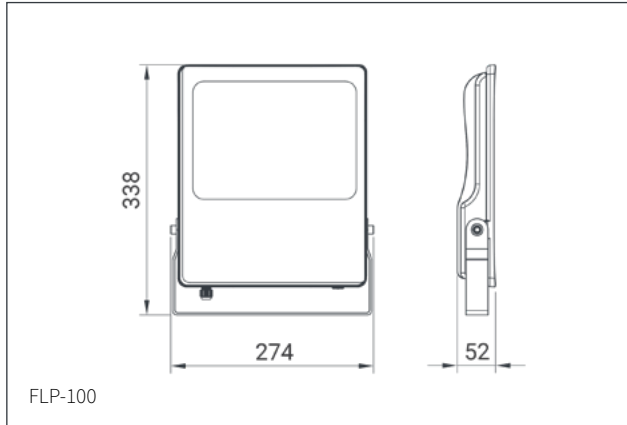
Key features

- Highly energy efficient & cost effective
- Advanced Graphene thermal conductive technology
- High light transmittance & anti-aging tempered glass cover
- Improved security & enhanced visibility
- Optional beam angles to improve application efficiency and lighting performance

Applications

- Sports lighting
- Area lighting
- Security lighting
- Facade lighting
- Street lighting

Dimensions



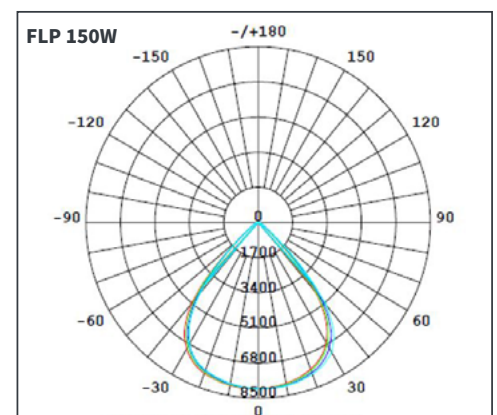
Ordering Matrix

FLP - **150** - **120**
Series Wattage Beam angle

Series	Wattage	Beam Angle
FLP	100	120°
FLP	150	120°
FLP	200	120°

Other beam angles available upon request.

Light Distribution



* Specifications subject to change without notice.