

DECO AREAS

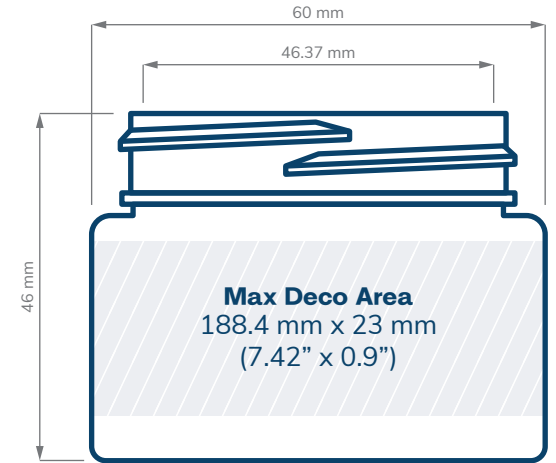
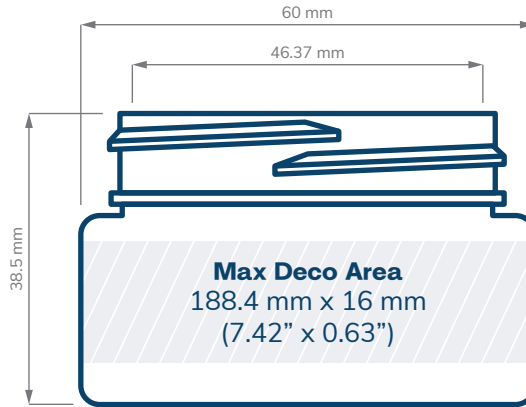
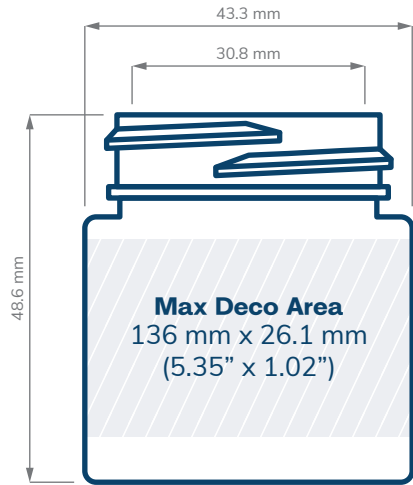
PET Flower Jars



SPECIFICATIONS

Straight Sided PET Jars

CHILD RESISTANT



SIZE	1 oz	2 oz	20 dram
HOLDS	1 oz, 30 ml 1 gram of flower	2 oz, 60 ml 2 grams to 1/8th of flower	2.5 oz, 75 ml 1/8th of flower
DIAMETER / HEIGHT OPENING (ID)	43.3 mm / 48.6 mm 30.8 mm	60 mm / 38.5 mm 46.37 mm	60 mm / 46 mm 46.37 mm
HEIGHT WITH CHILD RESISTANT (CR) CLOSURES	Straight: 53.68 mm Dome: 61.30 mm	Straight: 43.58 mm Dome: 51.20 mm Extra Tall Straight: 56.28 mm Extra Tall Dome: 61.36 mm	Straight: 51.08 mm Dome: 58.70 mm Extra Tall Straight: 63.78 mm Extra Tall Dome: 68.86 mm

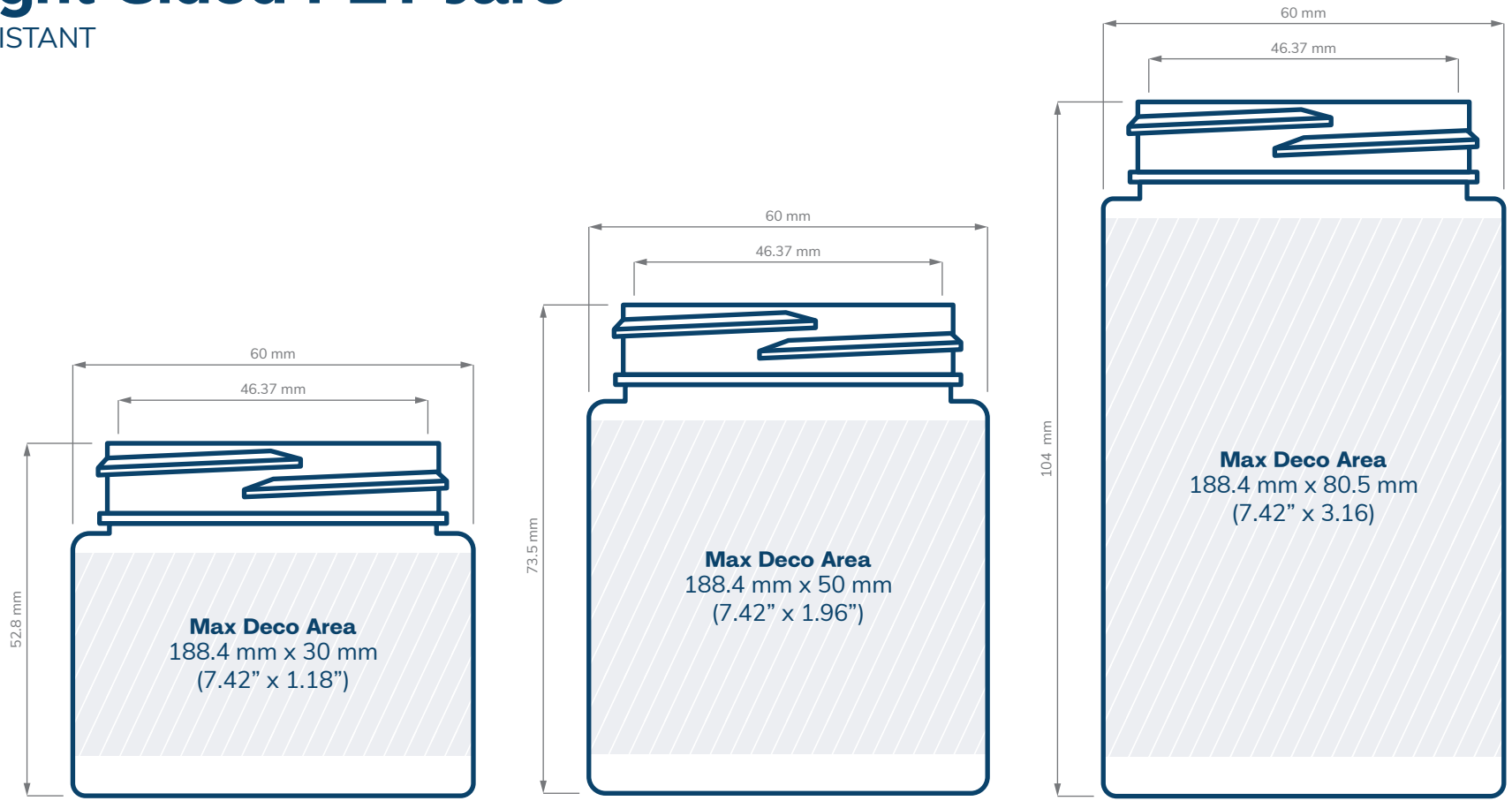
Scale = 1:1

Prices subject to change. eBottles is not liable for any inadvertent inaccuracies in this publication. Copyright © 2023 eBottles Inc. All Rights Reserved.

SPECIFICATIONS

Straight Sided PET Jars

CHILD RESISTANT



SIZE	30 dram	40 dram	60 dram
HOLDS	3.5 oz, 100 ml 1/8th of flower	4 oz, 120 ml 1/8th - 1/4 oz of flower	5 oz, 180 ml 1/4 oz of flower
DIAMETER / HEIGHT OPENING (ID)	60 mm / 52.8 mm 46.37 mm	60 mm / 73.5 mm 46.37 mm	55 mm / 104 mm 46.37 mm
HEIGHT WITH CHILD RESISTANT (CR) CLOSURES	Straight: 57.88 mm Dome: 65.50 mm Extra Tall Straight: 70.58 mm Extra Tall Dome: 75.66 mm	Straight: 78.58 mm Dome: 86.20 mm Extra Tall Straight: 91.28 mm Extra Tall Dome: 96.36 mm	Straight: 109.08 mm Dome: 116.70 mm Extra Tall Straight: 121.78 mm Extra Tall Dome: 126.86 mm

Scale = 1:1

Prices subject to change. eBottles is not liable for any inadvertent inaccuracies in this publication. Copyright © 2023 eBottles Inc. All Rights Reserved.

SPECIFICATIONS

Straight Sided PET Jars

CHILD RESISTANT

SIZE	80 dram
HOLDS	3.5 oz, 100 ml 1/8th of flower
DIAMETER / HEIGHT OPENING (ID)	60 mm / 115.1 mm 42.9 mm
HEIGHT WITH CHILD RESISTANT (CR) CLOSURES	Straight: 120.18 mm Dome: 127.80 mm Extra Tall Straight: 132.88 mm Extra Tall Dome: 137.96 mm



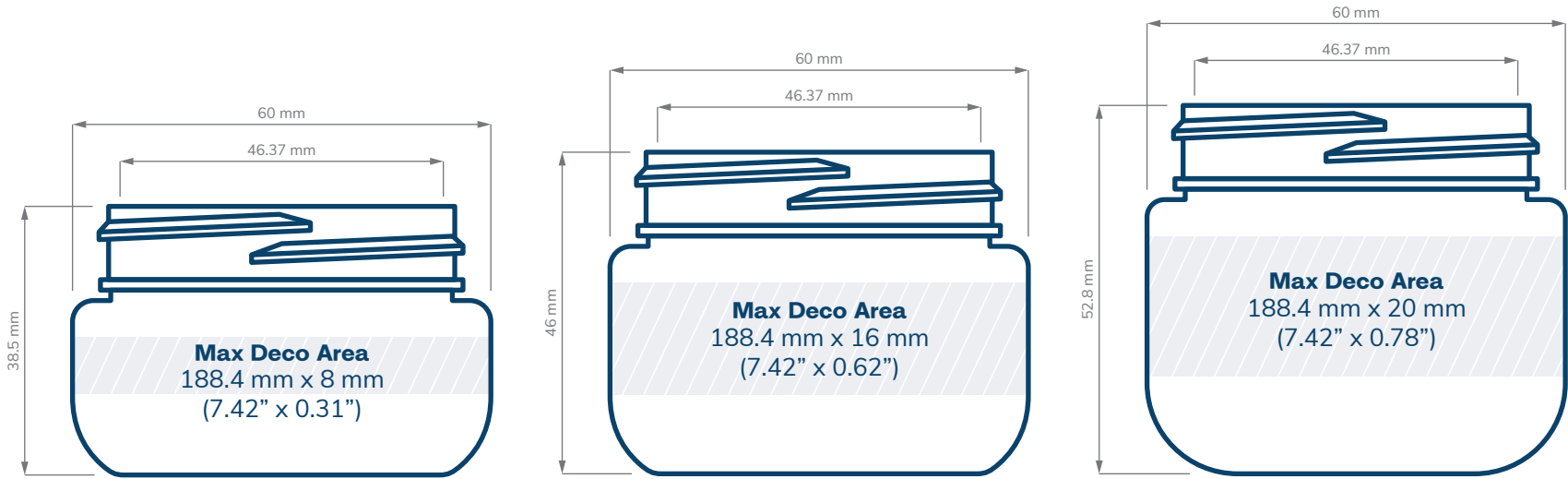
Scale = 1:1

Prices subject to change. eBottles is not liable for any inadvertent inaccuracies in this publication.
Copyright © 2023 eBottles Inc. All Rights Reserved.

SPECIFICATIONS

Round Base PET Jars

CHILD RESISTANT

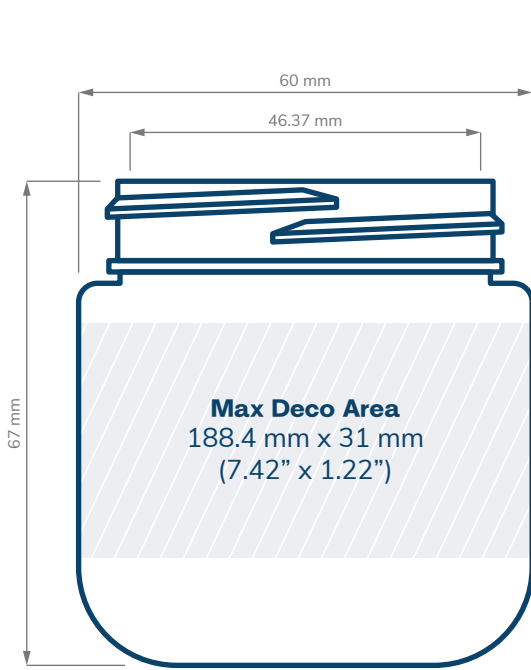


SIZE	2 oz	20 dram	30 dram
HOLDS	2 oz, 60 ml 2 grams to 1/8th of flower	2.5 oz, 75 ml 1/8th of flower	3.5 oz, 100 ml 1/8th of flower
DIAMETER / HEIGHT OPENING (ID)	60 mm / 38.5 mm 46.37 mm	60 mm / 46 mm 46.37 mm	60 mm / 52.8 mm 46.37 mm
HEIGHT WITH CHILD RESISTANT (CR) CLOSURES	Straight: 43.58 mm Dome: 51.20 mm Extra Tall Straight: 56.28 mm Extra Tall Dome: 61.36 mm	Straight: 51.08 mm Dome: 58.70 mm Extra Tall Straight: 63.78 mm Extra Tall Dome: 68.86 mm	Straight: 57.88 mm Dome: 65.50 mm Extra Tall Straight: 70.58 mm Extra Tall Dome: 75.66 mm

SPECIFICATIONS

Round Base PET Jars

CHILD RESISTANT



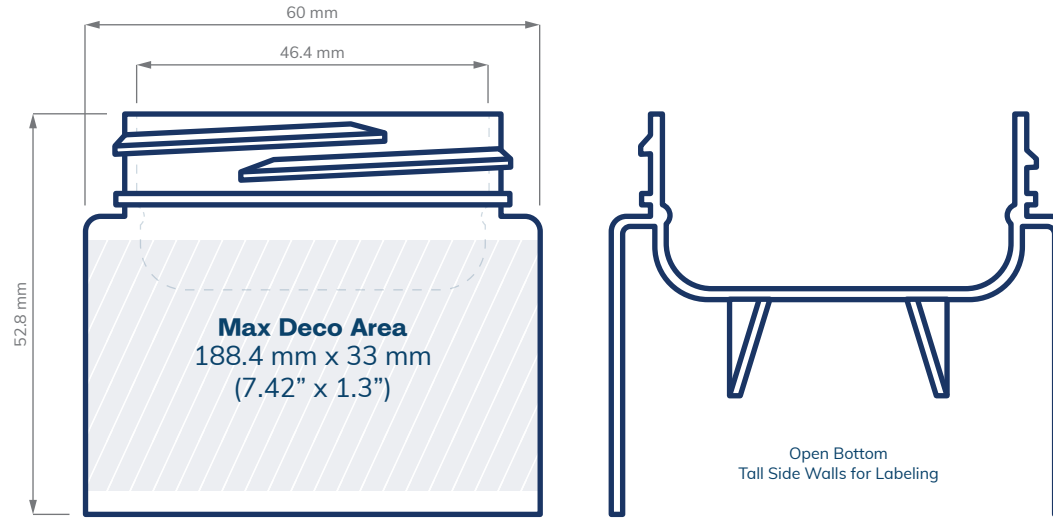
SIZE	4 oz
HOLDS	4 oz, 118 ml 1/8th of flower
DIAMETER / HEIGHT OPENING (ID)	60 mm / 67 mm 46.37 mm
HEIGHT WITH CHILD RESISTANT (CR) CLOSURES	Straight: 72.80 mm Dome: 79.70 mm Extra Tall Straight: 84.78 mm Extra Tall Dome: 89.86 mm

SIZE	40 dram
HOLDS	4 oz, 120 ml 1/8th - 1/4 oz of flower
DIAMETER / HEIGHT OPENING (ID)	60 mm / 73.5 mm 46.37 mm
HEIGHT WITH CHILD RESISTANT (CR) CLOSURES	Straight: 78.58 mm Dome: 86.20 mm Extra Tall Straight: 91.28 mm Extra Tall Dome: 96.36 mm

SPECIFICATIONS

1 gram Double Shell PP Jars

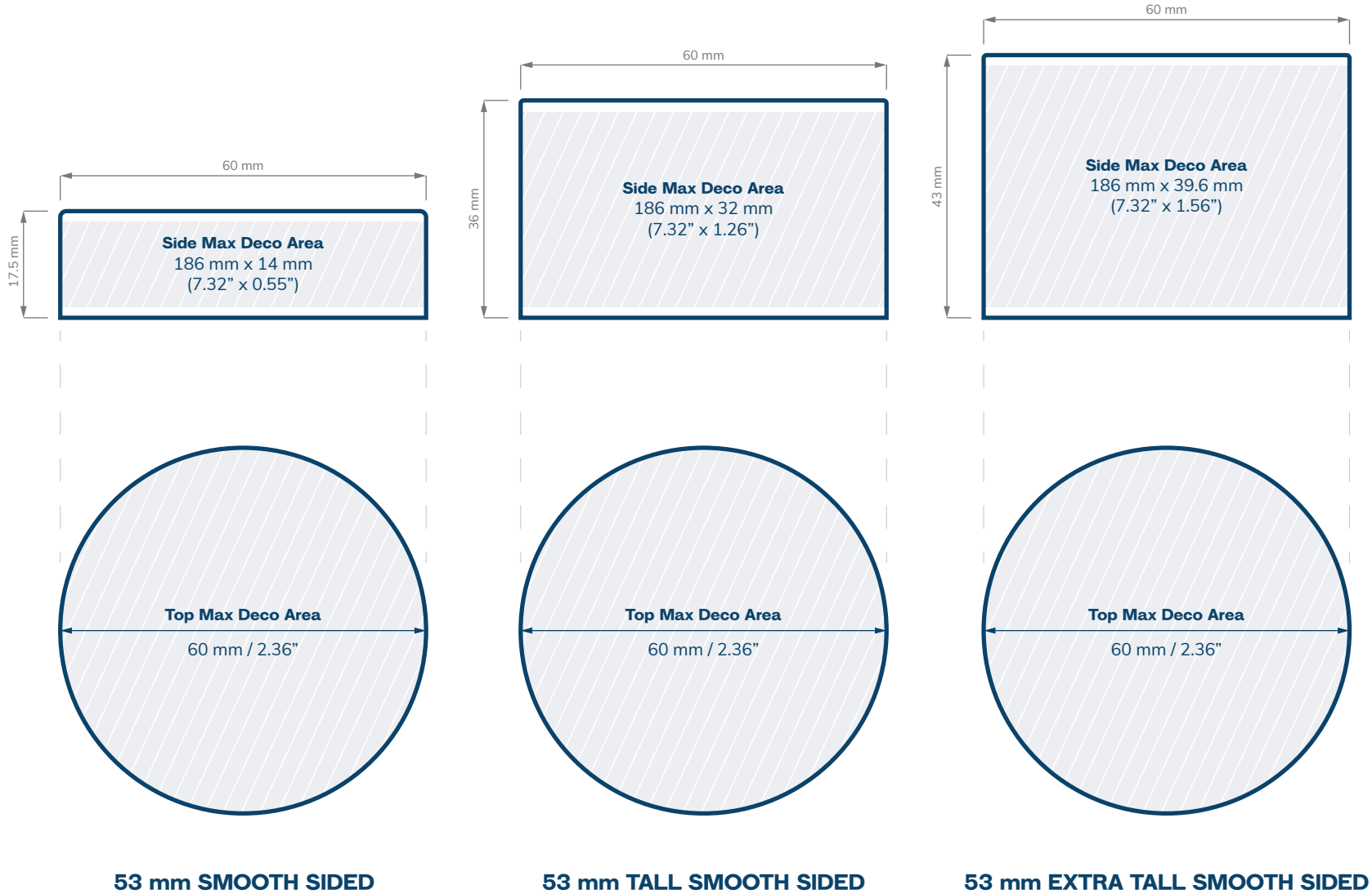
CHILD RESISTANT



SIZE	1 gram Double Shell
HOLDS	1 gram
DIAMETER / HEIGHT OPENING (ID)	45 mm / 21.4 mm 28.7 mm
HEIGHT WITH CHILD RESISTANT (CR) CLOSURES	Straight: 57.88 mm Dome: 65.50 mm Extra Tall Straight: 70.58 mm Extra Tall Dome: 75.66 mm

SPECIFICATIONS

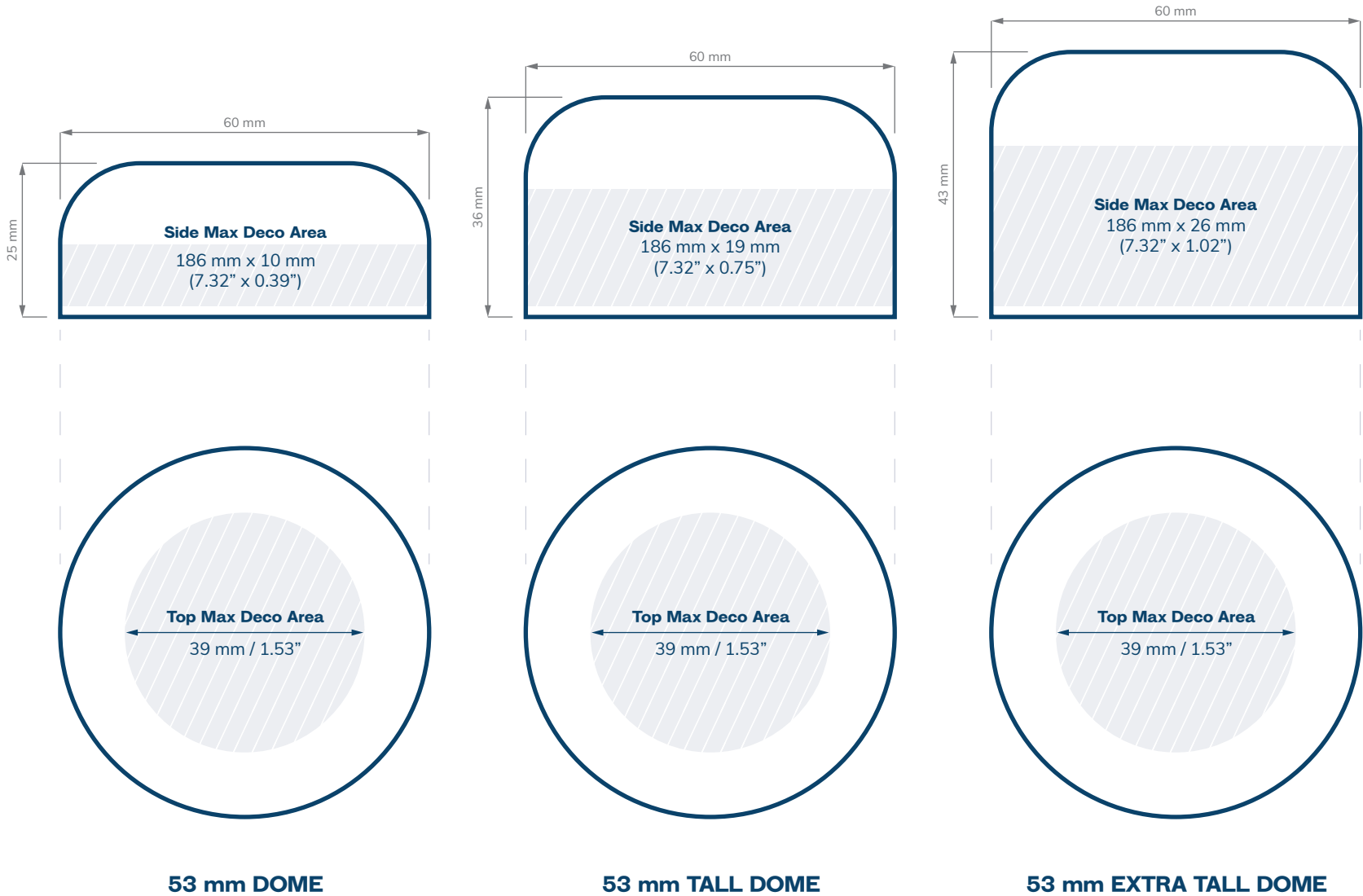
Child Resistant Closures



Scale = 1:1

Prices subject to change. eBottles is not liable for any inadvertent inaccuracies in this publication. Copyright © 2023 eBottles Inc. All Rights Reserved.

Child Resistant Closures

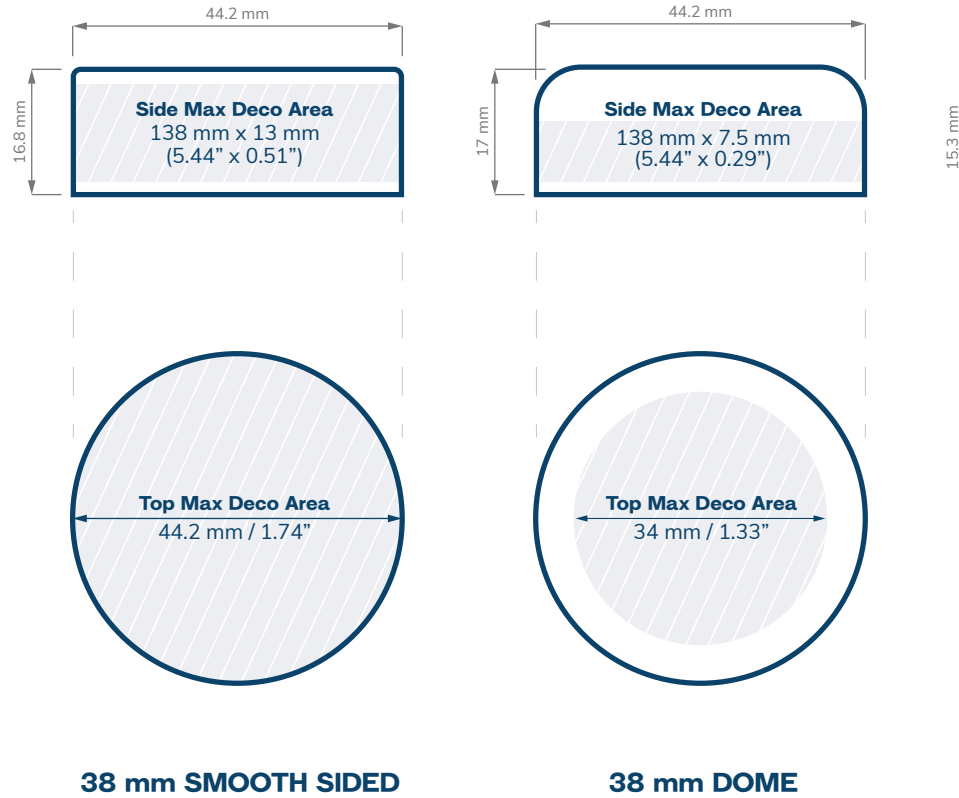


Scale = 1:1

Prices subject to change. eBottles is not liable for any inadvertent inaccuracies in this publication. Copyright © 2023 eBottles Inc. All Rights Reserved.

SPECIFICATIONS

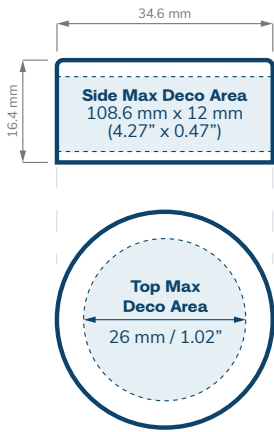
Child Resistant Closures



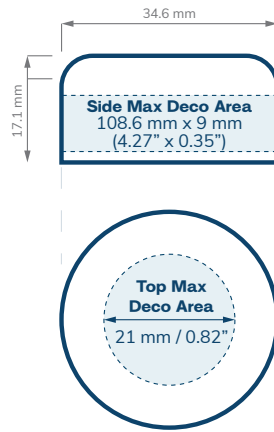
Scale = 1:1

Prices subject to change. eBottles is not liable for any inadvertent inaccuracies in this publication.
Copyright © 2023 eBottles Inc. All Rights Reserved.

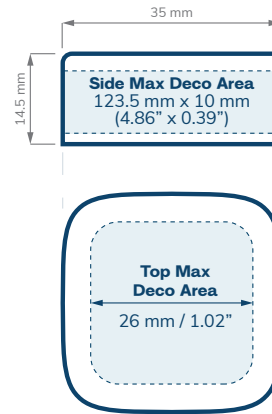
Child Resistant Closures



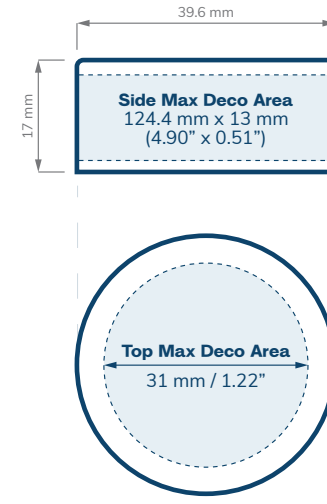
28 mm SMOOTH SIDED



28 mm DOME



28 mm SQUARE



33 mm SMOOTH SIDED

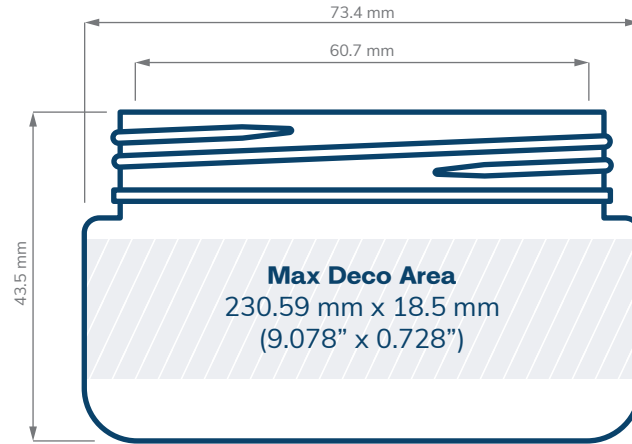
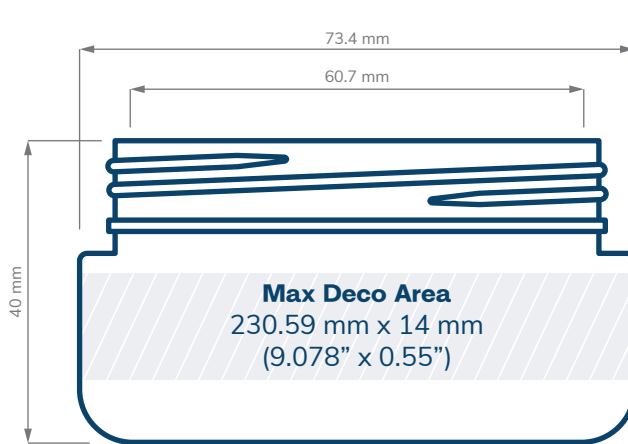
Scale = 1:1

Prices subject to change. eBottles is not liable for any inadvertent inaccuracies in this publication. Copyright © eBottles Inc. All Rights Reserved.

SPECIFICATIONS

66mm Straight Sided PET Jars

CHILD RESISTANT

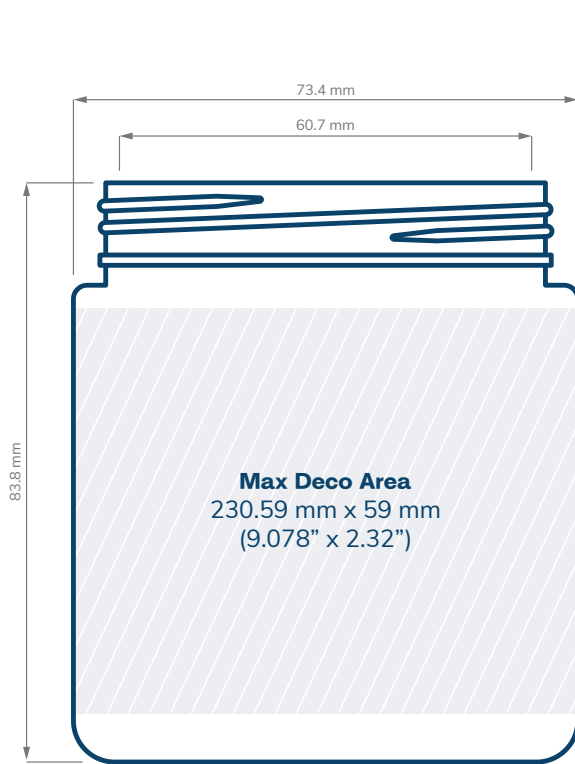


SIZE	30 dram	40 dram
HOLDS	1/8 oz	1/8 oz
DIAMETER / HEIGHT OPENING (ID)	73.4 mm / 40 mm 60.7 mm	73.4 mm / 43.5 mm 60.7 mm
HEIGHT WITH CHILD RESISTANT (CR) CLOSURES	Straight: 45 mm Dome: 47.25 mm Tall Straight: 50 mm	Straight: 48.5 mm Dome: 50.75 mm Tall Straight: 53.5 mm

SPECIFICATIONS

66mm Straight Sided PET Jars

CHILD RESISTANT



SIZE	8 oz
HOLDS	1/2 oz
DIAMETER / HEIGHT OPENING (ID)	73.4 mm / 40 mm 60.7 mm
HEIGHT WITH CHILD RESISTANT (CR) CLOSURES	Straight: 88.8 mm Dome: 91.05 mm Tall Straight: 93.8 mm

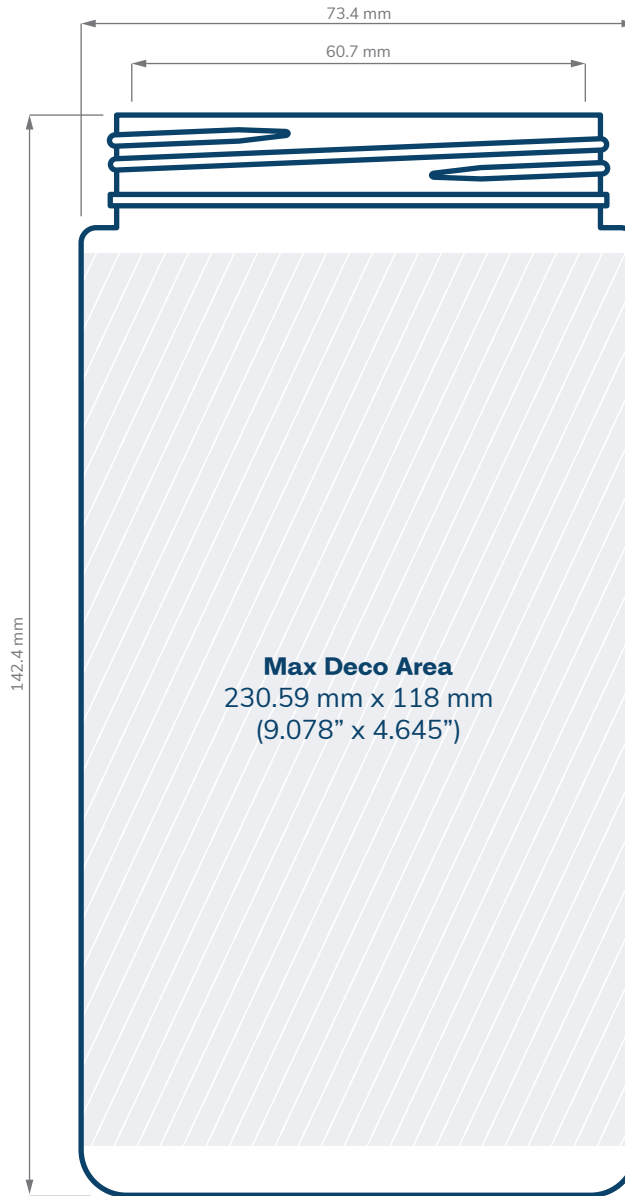
SIZE	10 oz
HOLDS	1/2 oz
DIAMETER / HEIGHT OPENING (ID)	73.4 mm / 95.4 mm 60.7 mm
HEIGHT WITH CHILD RESISTANT (CR) CLOSURES	Straight: 100.4 mm Dome: 102.65 mm Tall Straight: 105.4 mm

SPECIFICATIONS

66mm Straight Sided PET Jars

CHILD RESISTANT

SIZE	16 oz
HOLDS	1 oz
DIAMETER / HEIGHT OPENING (ID)	73.4 mm / 142.4 mm 60.7 mm
HEIGHT WITH CHILD RESISTANT (CR) CLOSURES	Straight: 147.4 mm Dome: 149.65 mm Tall Straight: 152.40 mm

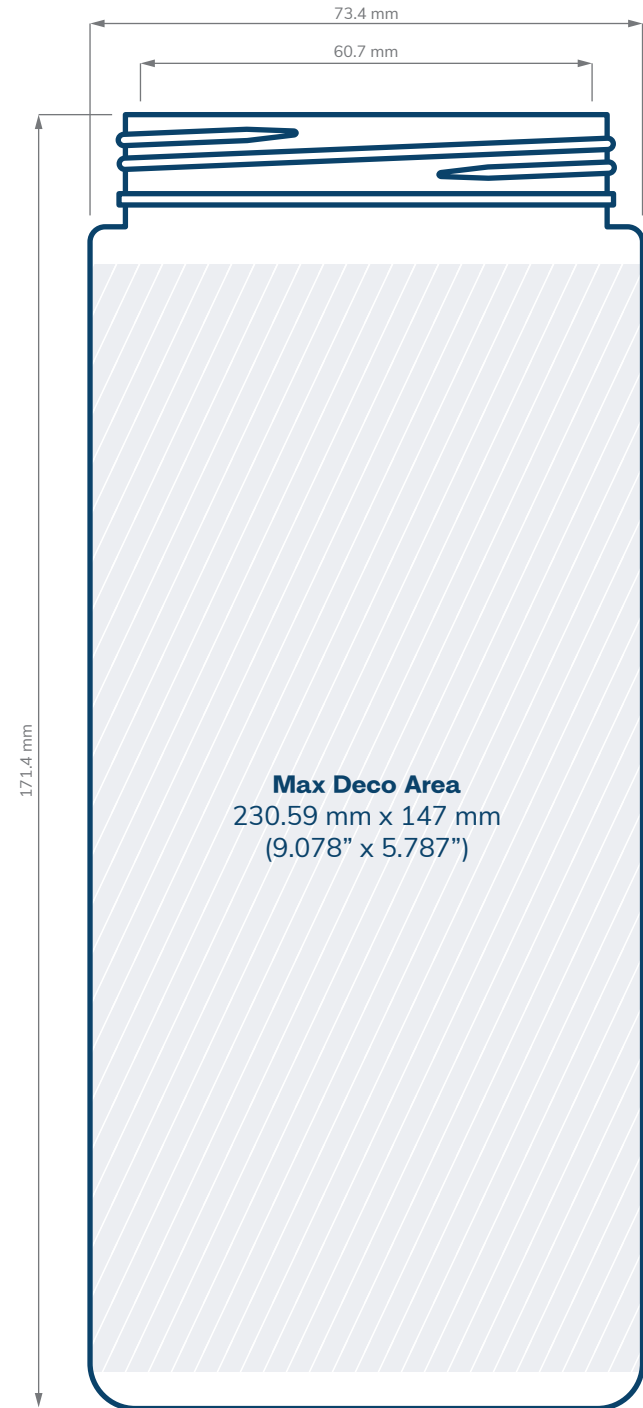


SPECIFICATIONS

66mm Straight Sided PET Jars

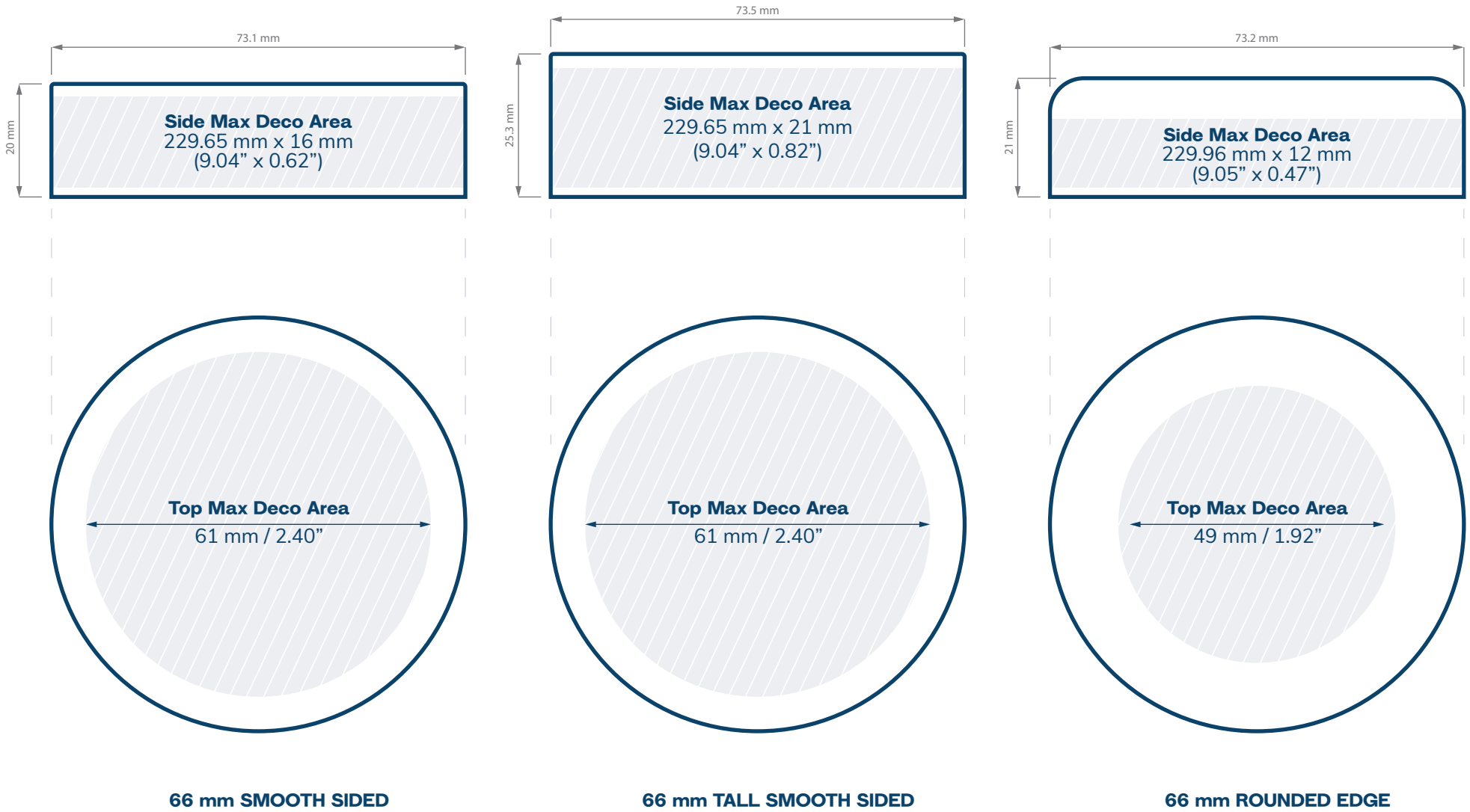
CHILD RESISTANT

SIZE	20 oz
HOLDS	1 oz
DIAMETER / HEIGHT OPENING (ID)	73.4 mm / 171.4 mm 60.7 mm
HEIGHT WITH CHILD RESISTANT (CR) CLOSURES	Straight: 176.4 mm Dome: 178.65 mm Tall Straight: 181.40 mm



SPECIFICATIONS

66 mm Child Resistant Closures

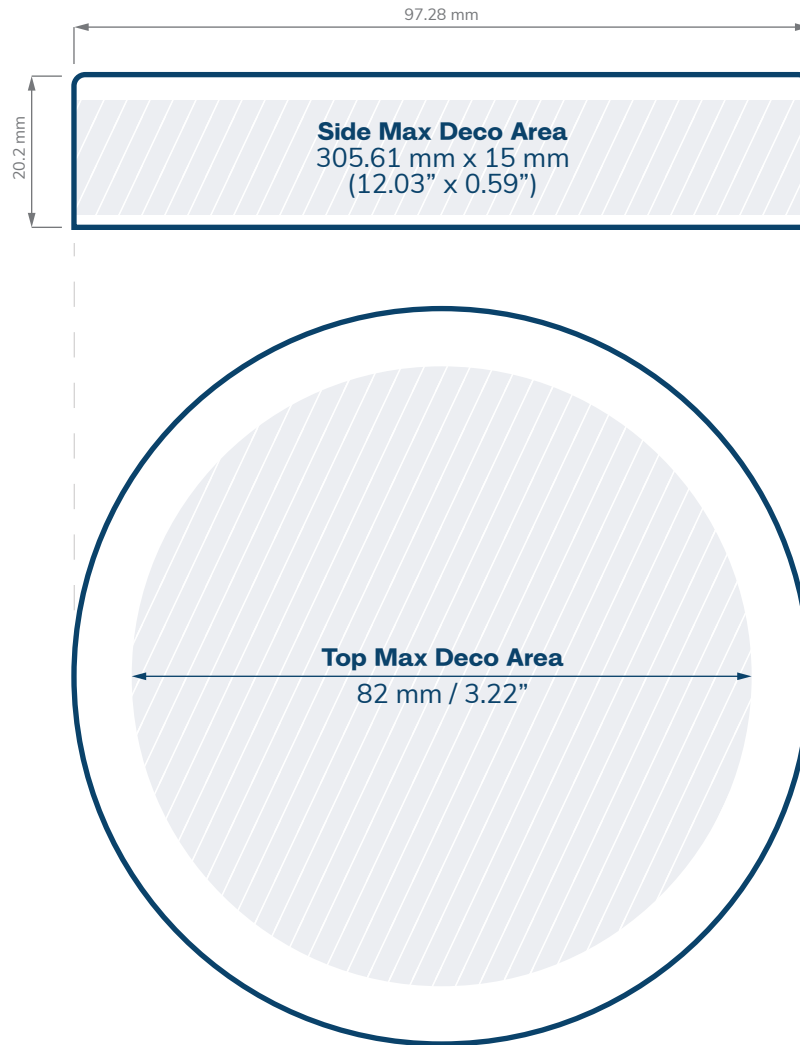


Scale = 1:1

Prices subject to change. eBottles is not liable for any inadvertent inaccuracies in this publication. Copyright © 2023 eBottles Inc. All Rights Reserved.

SPECIFICATIONS

89 mm Child Resistant Closures



89 mm STRAIGHT SIDED

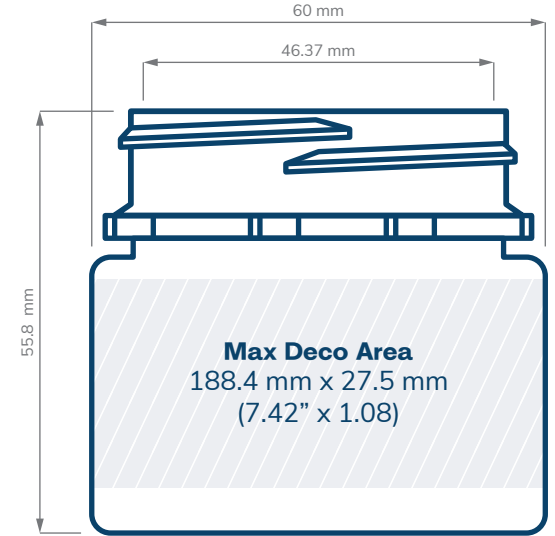
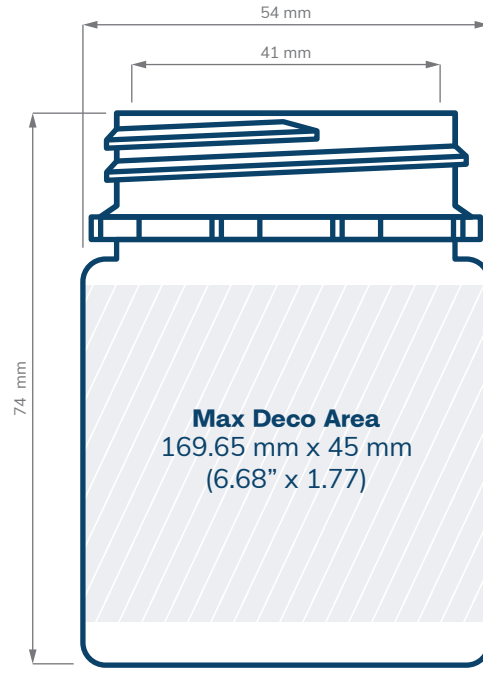
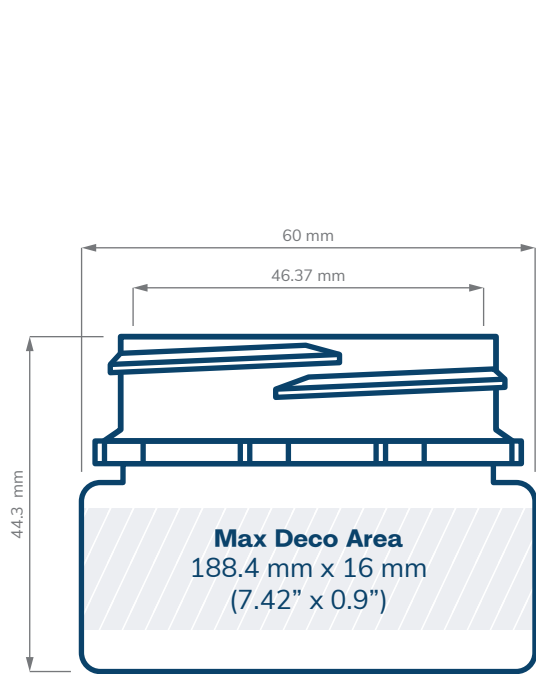
Scale = 1:1

Prices subject to change. eBottles is not liable for any inadvertent inaccuracies in this publication.
Copyright © 2023 eBottles Inc. All Rights Reserved.

SPECIFICATIONS

Tamper Evident PET Jars

CHILD RESISTANT



SIZE	2 oz	30 dram (45mm)	30 dram
HOLDS	2 oz, 60 ml 2 grams to 1/8th of flower	3.5 oz, 100 ml 1/8th of flower	3.5 oz, 100 ml 1/8th of flower
DIAMETER / HEIGHT OPENING (ID)	60 mm / 44.3 mm 46.37 mm	54 mm / 74 mm 41 mm	60 mm / 55.8 mm 46.37 mm
HEIGHT WITH CHILD RESISTANT (CR) CLOSURES	49.38 mm	79.08 mm	60.88 mm

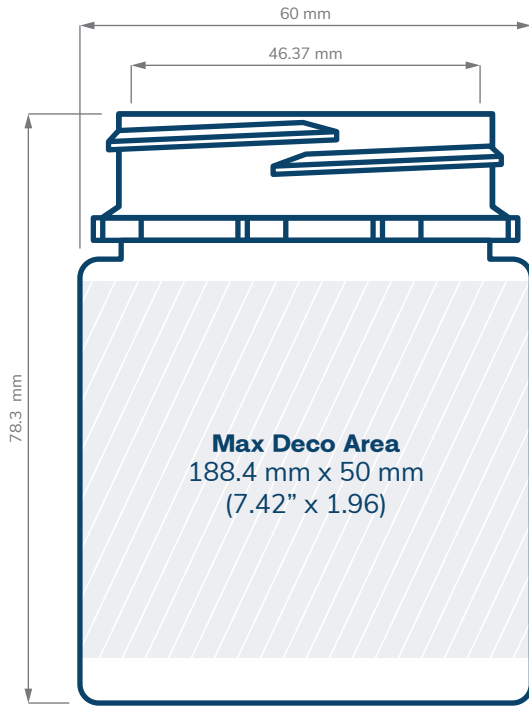
Scale = 1:1

Prices subject to change. eBottles is not liable for any inadvertent inaccuracies in this publication. Copyright © 2023 eBottles Inc. All Rights Reserved.

SPECIFICATIONS

Tamper Evident PET Jars

CHILD RESISTANT



SIZE	40 dram
HOLDS	4 oz, 120 ml 1/8th - 1/4 oz of flower
DIAMETER / HEIGHT OPENING (ID)	60 mm / 78.3 mm 46.37 mm
HEIGHT WITH CHILD RESISTANT (CR) CLOSURES	83.38 mm

SIZE	60 dram
HOLDS	5 oz, 180 ml 1/4 oz of flower
DIAMETER / HEIGHT OPENING (ID)	55 mm / 104 mm 46.37 mm
HEIGHT WITH CHILD RESISTANT (CR) CLOSURES	109.08 mm

Scale = 1:1

Prices subject to change. eBottles is not liable for any inadvertent inaccuracies in this publication.
Copyright © 2023 eBottles Inc. All Rights Reserved.