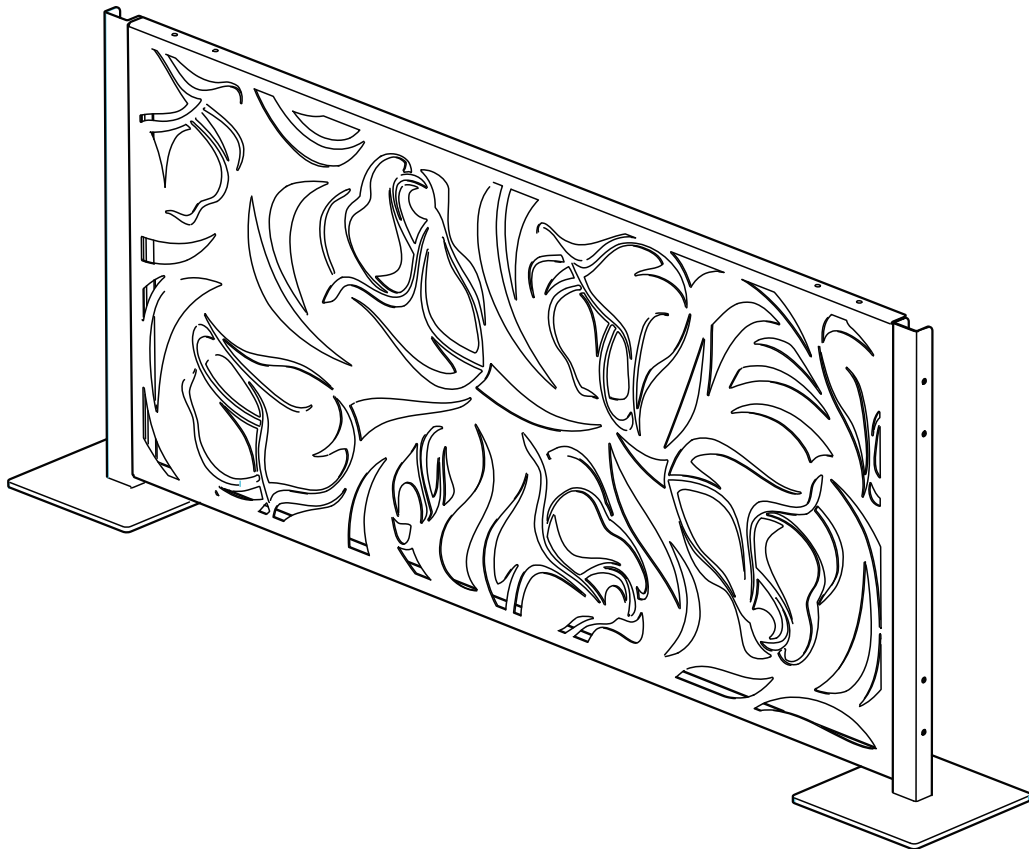


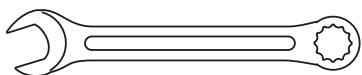


METAL
Garden Screen

INSTALLATION USING **FREE STANDING POSTS**



TOOLS REQUIRED



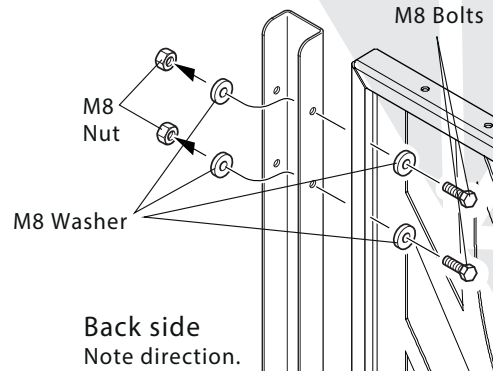
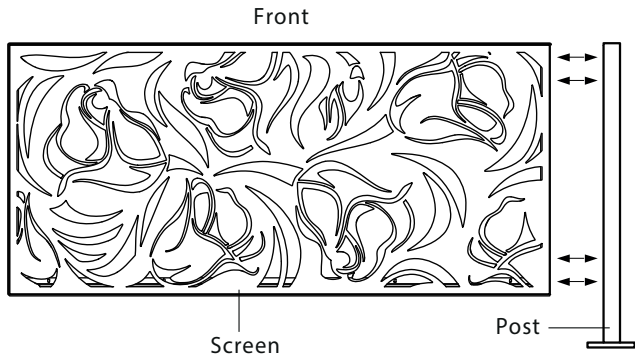
2 x 13mm
Spanner



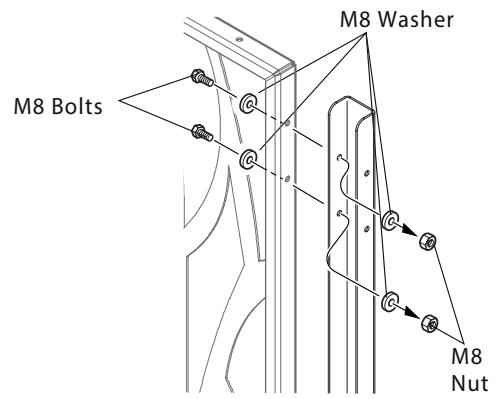


INSTALLATION

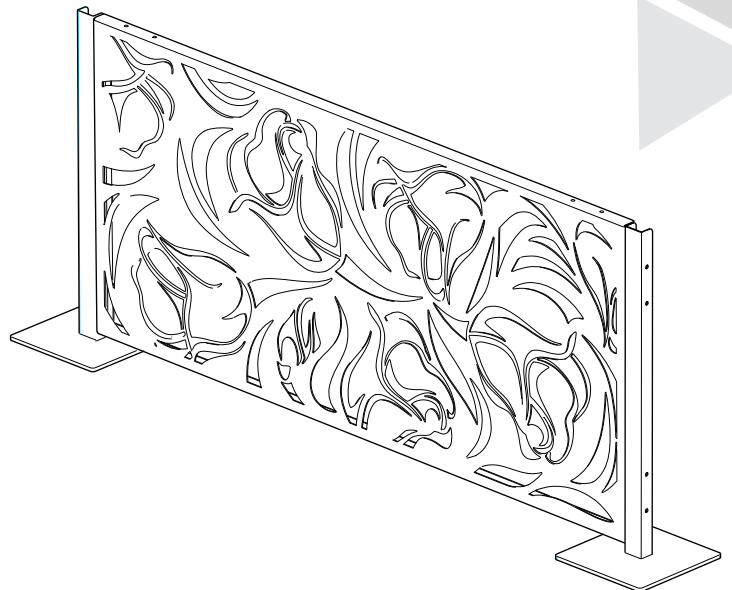
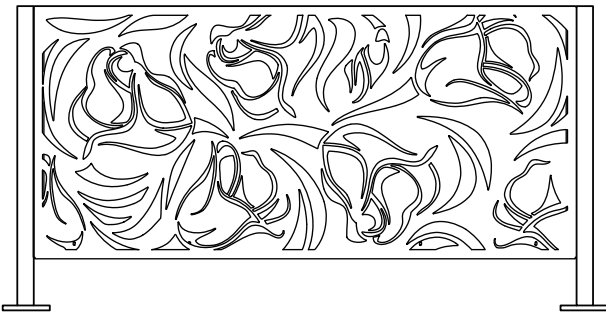
1 Bolt leg screen.



2 Bolt the other leg to the screen.



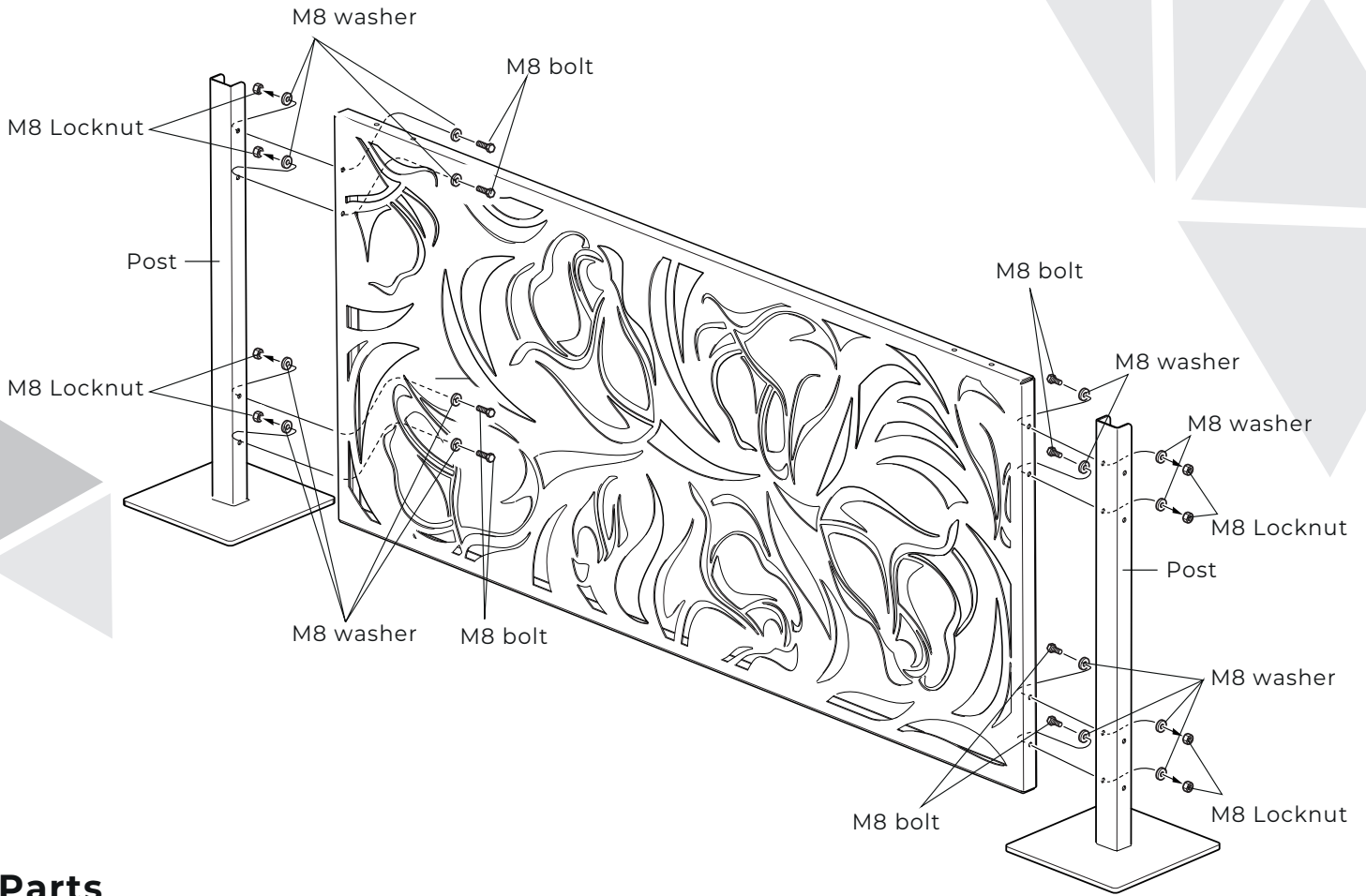
3 Position in desired location.






4 Enjoy!



PARTS VIEW



Parts

	Screen	x 1
	Post	x 2
	M8 Bolts	x 8
	M8 Locknut	x 8
	M8 Washer	x 16



METAL
Garden Screen

Metal Garden Screen Ltd.

Metal Garden Screen, Unit 2381
37 Westminster Buildings, Theatre Square
Nottingham. NG1 6DQ

Tel: +44 800 044 8412

Email: sales@metalgardenscreen.co.uk/

Website: <https://metalgardenscreen.co.uk/>

REGISTERED IN ENGLAND
Company number: 9270750

