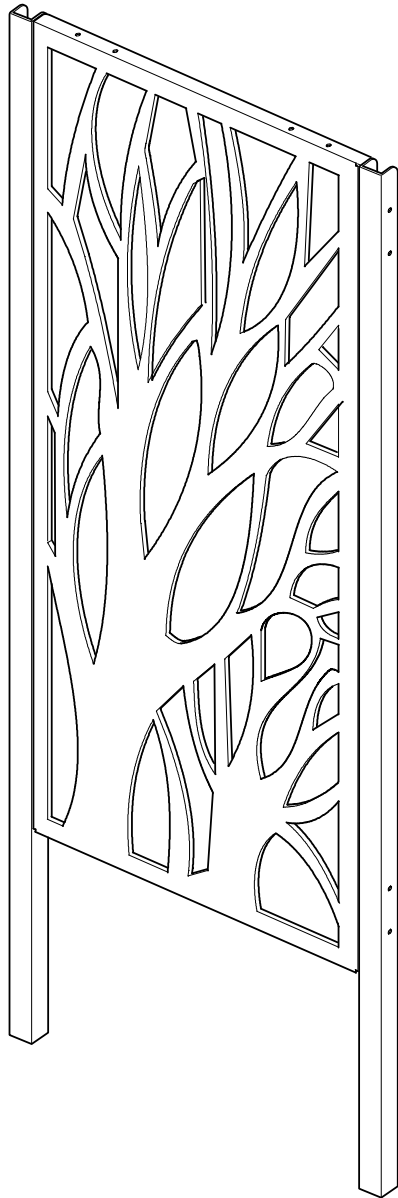


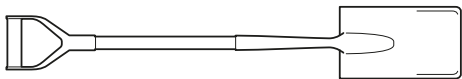


METAL
Garden Screen

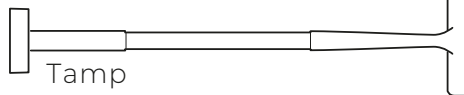
INSTALLATION USING CONCRETE POSTS



TOOLS & MATERIALS REQUIRED



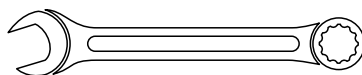
Spade



Tamp



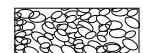
Level



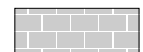
2 x 13mm
Spanner



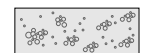
Tape



Gravel



Bricks

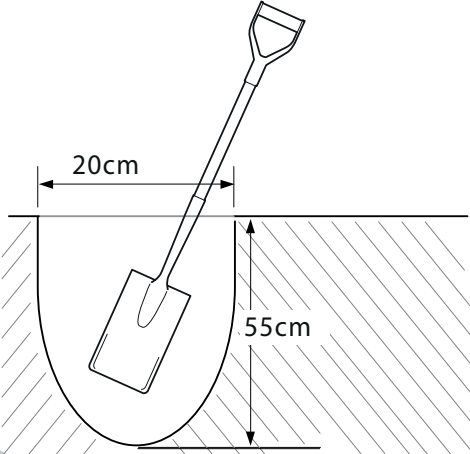


Postcrete

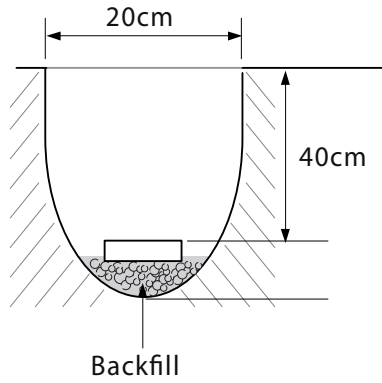


INSTALLATION

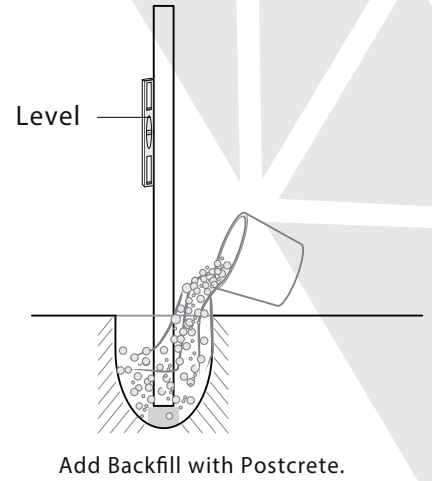
- 1** Dig a hole. Recommended depth is 55cm, 20cm wide.



- 2** Add gravel backfill, Tamp down. PRO TIP - Add a brick to ensure 40cm depth.

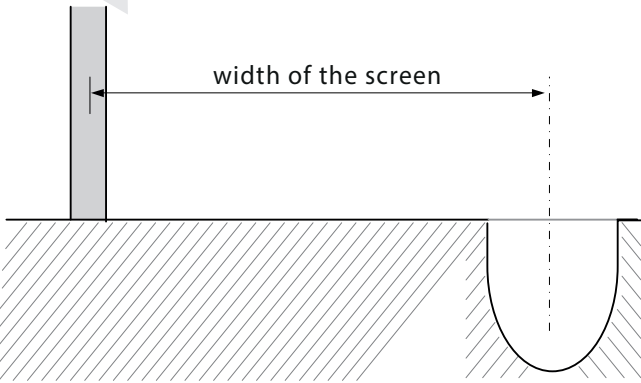


- 3** Insert post. Maintain and level straight.

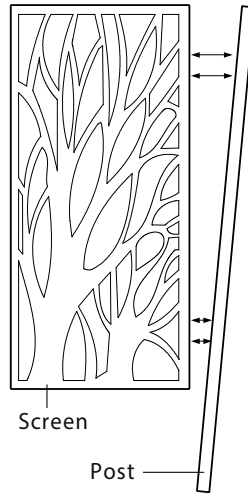


- 4** Measure width of the screen.

Repeat step 1 and 2.

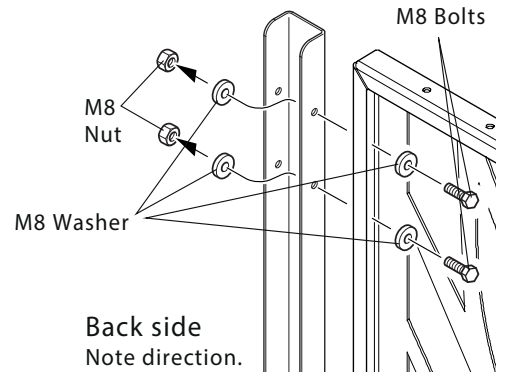


- 5** Attach the other Leg to the screen using the bolts/ screw provided.

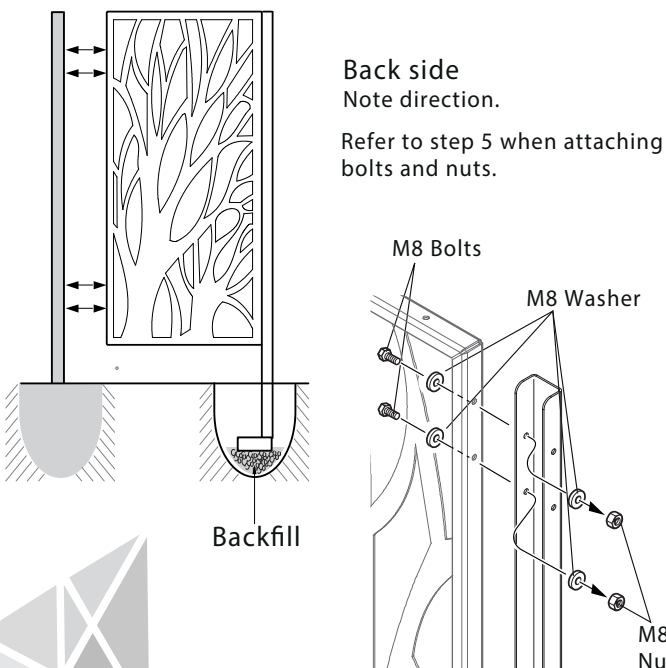


PRO TIPS

Use care when installing bolts not to damage the color coating.



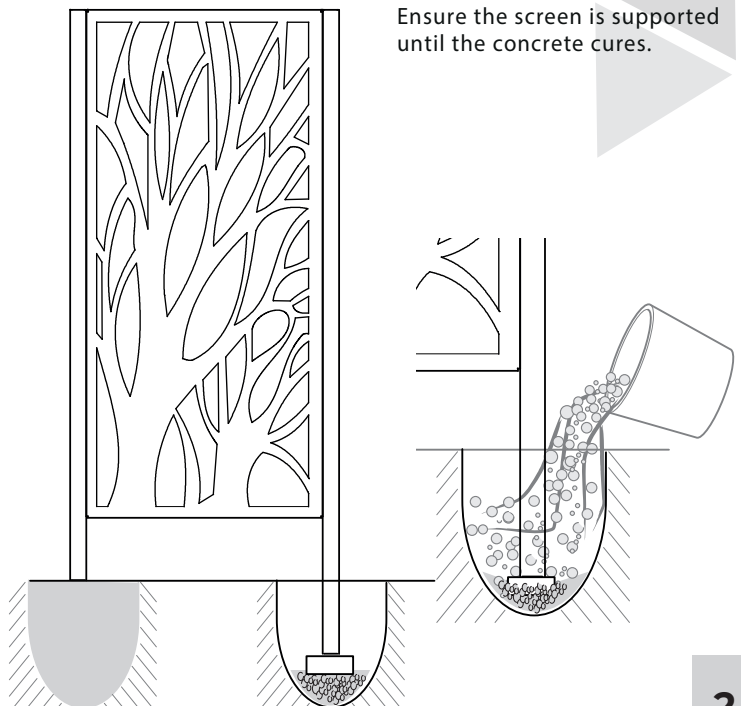
- 6** Bolt the screen to the pre-installed leg. As shown. Ensure the screen to be straight and level.



- 7** Backfill 2nd hole with Postcrete.

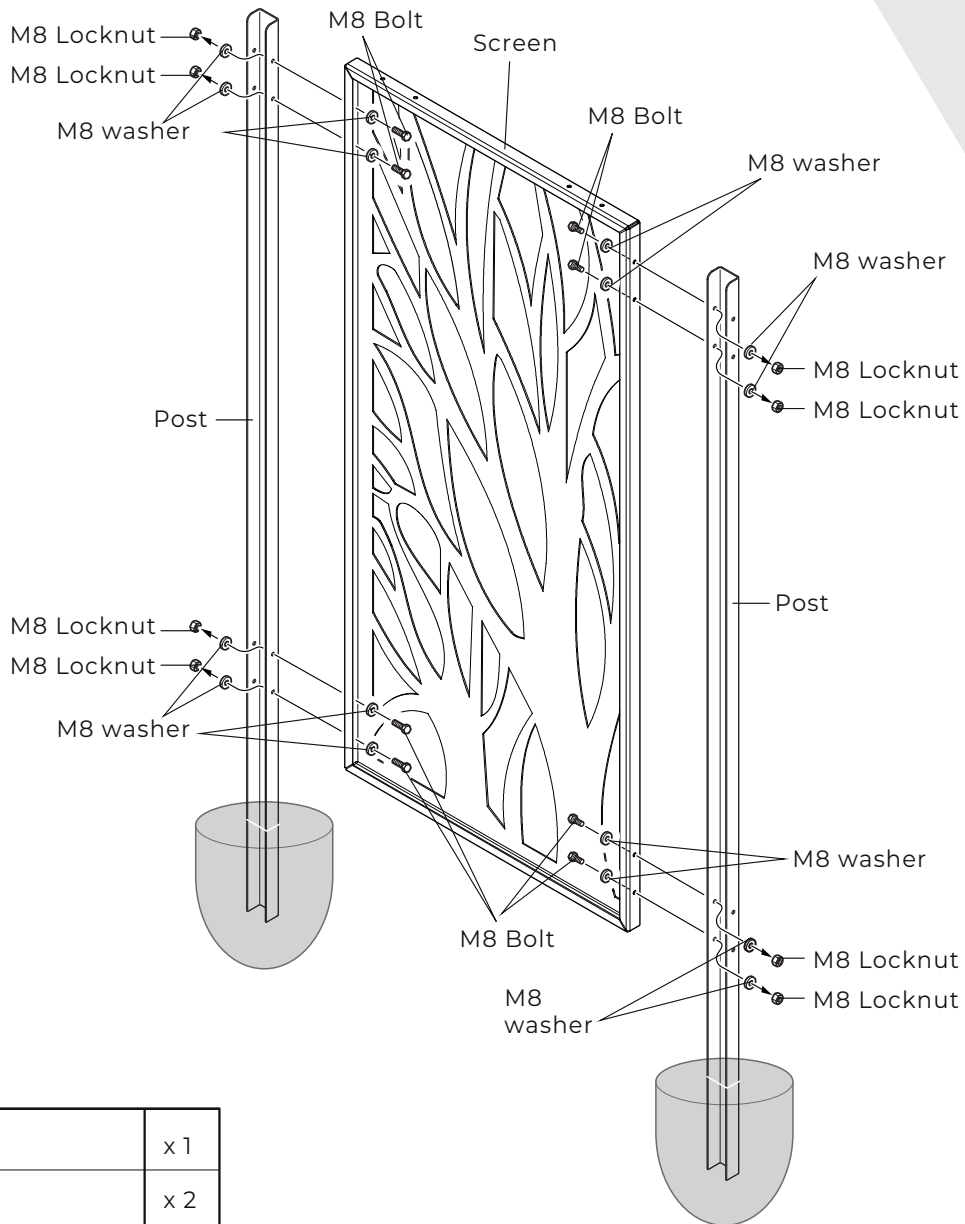
PRO TIP

Ensure the screen is supported until the concrete cures.








PARTS VIEW



Parts

	Screen	x 1
	Post	x 2
	M8 Bolts	x 8
	M8 Locknut	x 8
	M8 Washer	x 16



METAL
Garden Screen

Metal Garden Screen Ltd.

Metal Garden Screen, Unit 2381
37 Westminster Buildings, Theatre Square
Nottingham. NG1 6DQ

Tel: +44 800 044 8412

Email: sales@metalgardenscreen.co.uk/

Website: <https://metalgardenscreen.co.uk/>

REGISTERED IN ENGLAND
Company number: 9270750

