



Flip the page
and it will all
make sense →

Zaptec Sense manual

We know that houses and apartment buildings have limited power. This is why we created Zaptec Sense. It helps you utilise your power in the smartest possible way, while also protecting your circuit breakers. Charge as many electric vehicles as possible, as quickly as possible using the power available.

For å laste ned denne håndboken på ditt eget språk, gå inn her
Denne brugervejledning kan downloades på dit sprog her
För att ladda ner denna bruksanvisning på ditt språk, gå in här
Um dieses Benutzerhandbuch in Ihrer Sprache herunterzuladen, klicken Sie bitte hier
Para descargar este manual de usuario en su idioma, entre aquí
Jos haluat ladata tämän käyttöohjeen omalla kielelläsi, siirry tänne
Pour télécharger ce manuel d'utilisation dans votre langue, veuillez vous rendre à la page suivante
Per scaricare questo manuale per l'utente nella tua lingua, visita
Til að hlaða niður þessari notendahandbók á þínu tungumáli skaltu fara hingað
U downloadt deze gebruikershandleiding in uw taal hier
Aby pobrać tę instrukcję obsługi w swoim języku, odwiedź tę stronę
Para descarregar este manual do utilizador na sua língua, visite



zaptec.com/sense/manual

Important information

Included in the package

- Zaptec Sense
- Custom Micro USB cable
- Adhesive magnet sheet
- Double-sided tape

Required equipment

- 5V DC DIN rail power supply. Minimal output current: 1A.
- DIN rail digital energy meter. A list of supported energy meters can be found on **zaptec.com/en/sense**.

Optional

- Unshielded CAT5e/CAT6 Ethernet cable

Important information



Installation may only be performed by an authorised electrician. Additional equipment must be installed according to the installation manual provided by the manufacturer. The Modbus baud rate must be configured to 9.6 kbps.

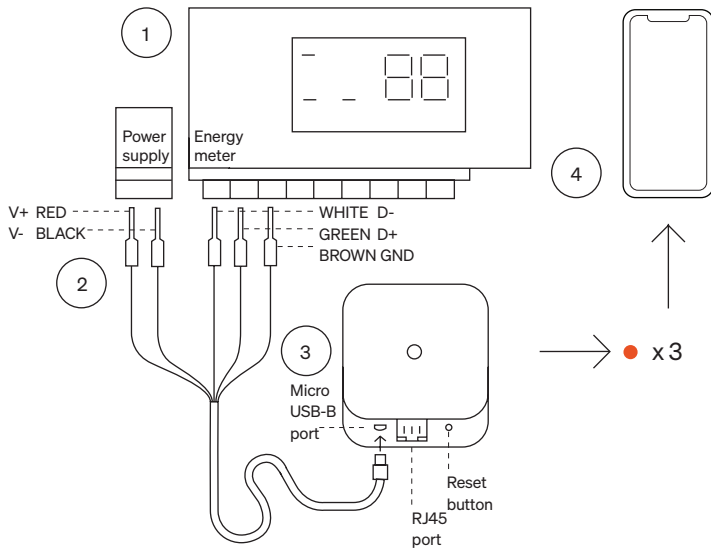


Zaptec Sense supports both Wi-Fi and Ethernet connections. This can be configured in the installation process and in settings afterwards. For Ethernet, connect Ethernet cable to the RJ45 port.



If Zaptec Sense loses internet connectivity or is disconnected, the charging station will be set to provide minimum power (6A). Minimum power can be changed in the Zaptec portal.

Installation



Installation

1. Download and open the **Zaptec app** from App Store or Google Play.
2. Create an account or log in.
3. Press the ●●● icon to install Zaptec Sense, or swipe right on the home screen and press **Add new** button. Scan the QR-code on the back of this guide and follow the instructions on screen.

Configuration

To adjust network settings after installation, hold your mobile phone near the Zaptec Sense device, open the **Zaptec app** and press the ●●● icon to configure Zaptec Sense.

Light indicator



Not configured. No internet connection. Log in via the **Zaptec app** and set up a Wi-Fi network. For Ethernet: Log in via Zaptec app to activate Ethernet or check ethernet cable connection.



No Modbus data received.



No IP Received for either Ethernet or Wi-Fi



IP received, but no contact with cloud.



Zaptec Sense is configured and active.

Guarantee

Your Zaptec product comes with a five (5) year guarantee at no additional cost. Please find the guarantee document at zaptec.com/guarantee

Technical specification

Mechanical and installation					
PARAMETER	DESCRIPTION	MIN	TYP	MAX	UNIT
Dimensions	H: W: D:			58.4 58.6 25.1	mm
Weight	Including Micro USB cable			97	g
Altitude				2000	m
Input cable	Custom Micro USB-B cable (Power supply + RS485)		1.8		m
	Unshielded CAT5e/CAT6 cable			30	m

General				
PARAMETER	MIN	TYP	MAX	UNIT
Rated voltage	4.5	5	5.5	VDC
Rated current	200		750	mA
Standby power consumption			1.5	W
Ambient operating temperature	-20		40	°C

Connectivity	
PROTOCOL	SUPPORTED STANDARDS
Wi-Fi	IEEE 802.11b/g/n (2.4 GHz)
Bluetooth	Bluetooth V4.2 (BLE)
Ethernet	ISO/IEEE 802.3u/az(10/100 Mb/s)
Modbus	9.6 kb/s



Zaptec Sense is designed for indoor use

Zaptec Charger AS
Professor Olav Hanssens vei 7A
4021 Stavanger

Made in Norway



zaptec.com
