

≥ adaptdefy®

LapStacker®
zip.clip.go

XD
POWER

Installation Guide

Congratulations and thank you for choosing the LapStacker®

Please read this Installation and User Guide carefully to ensure you install and use the LapStacker® correctly and safely.



Once you've installed your LapStacker® we'd love to see how you use it. Please feel free to send us your videos and images and let us know how the LapStacker® improves freedom and independence in your life.

You can email me anytime at info@lapstacker.com or simply tag us on social media and use #lapstacker. Of course, we'd also like to hear about how we can improve, so please feel free to let us know.

The LapStacker® is made from quality materials to our exacting standards and should last many years of hard use. I hope you'll love it as much as I do and look forward to seeing and hearing how you use it. Wishing you all the very best,

Mike Brown

Inventor | Chief Adapting Officer | Paraplegic

Contents	Page
Welcome	1
Contents	2
Warnings	
General	3
Injury	3
Wheelchair Balance & Vision	4
Installation	4
Care of your LapStacker®	4
LapStacker® Installation	5
Trouble Shooting	7

- Do not install or operate the LapStacker® without first reading and understanding this Installation and User Guide. The current version is available online at lapstacker.com/installation
- Failure to do so may cause injury to you or those around you.
- By using the LapStacker® you agree to the terms of our Warranty and Product Disclaimer which can be read online at lapstacker.com/disclaimer

Warnings - General

- The LapStacker® is not a seatbelt, safety device, or medical device.
- The LapStacker® is not intended to be used to secure children or animals to your lap.
- The LapStacker® is designed as an aid only. You will still need to carefully place items on your lap and monitor them while using the LapStacker®. Items can move even with the LapStacker® securing them, and we take no responsibility for any damage to goods or people should items fall while you are using the LapStacker®
- We do not recommend using the LapStacker® for extensive periods of time to hold items on your lap.

Warnings - Injury

- Please do not use the LapStacker® to secure items on your lap that may cause an injury to you or others. Some examples include sharp, hot or heavy items.
- Please be aware of the new LapStacker® components on your wheelchair and where they are relative to your limbs. Be sure to avoid contact with these while using your wheelchair or transferring in and out of your wheelchair. Failure to do so may result in injury.
- Please do not pull down too tightly on the straps otherwise it might cause a loss of circulation or a pressure injury or damage the item/s you are carrying.

Warnings - Wheelchair Guidelines & Vision

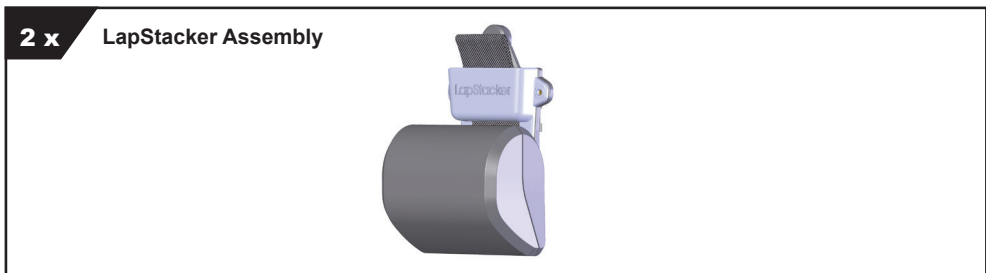
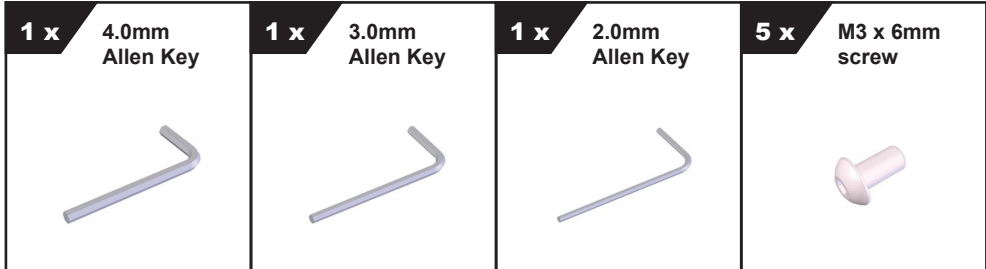
- Please do not exceed your wheelchair manufacturer's guidelines for loading or usage of attachments.
- Please do not stack items too high on your lap so as to reduce your ability to see where you are going. This could result in a collision that causes you or others an injury.

Warnings - Installation

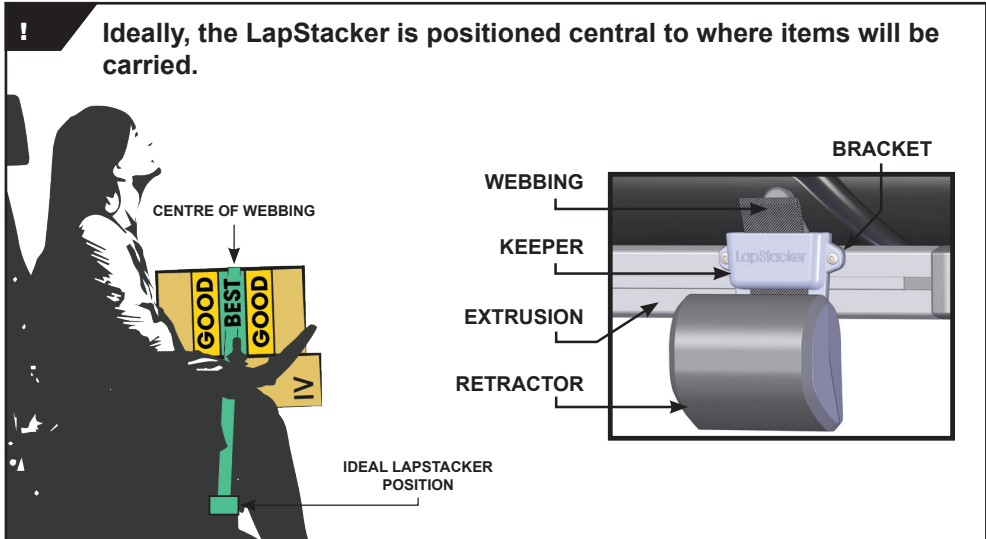
- If you are installing the LapStacker® and moving existing components around such as arm rests or leg restraints please ensure they are reinstalled and secured correctly. Failure to do so may result in their failure and injury to you or others.

- The Brackets are made of plastic to reduce weight and are not designed to be pulled on or adjusted without first loosening the fasteners. Please be gentle with them or they may break.
- Wipe components clean with a damp cloth and avoid the use of chemical detergents which may damage the plastic surfaces.
- The LapStacker® Retractor has not been designed for submersion in water. Doing so will likely result in rusting of the internal components and may void your Warranty.
- The straps may be cleaned using water and a damp cloth. We suggest removing the retractors, fully extending the straps and letting them dry before retracting the straps back into their housing again.

Component Set

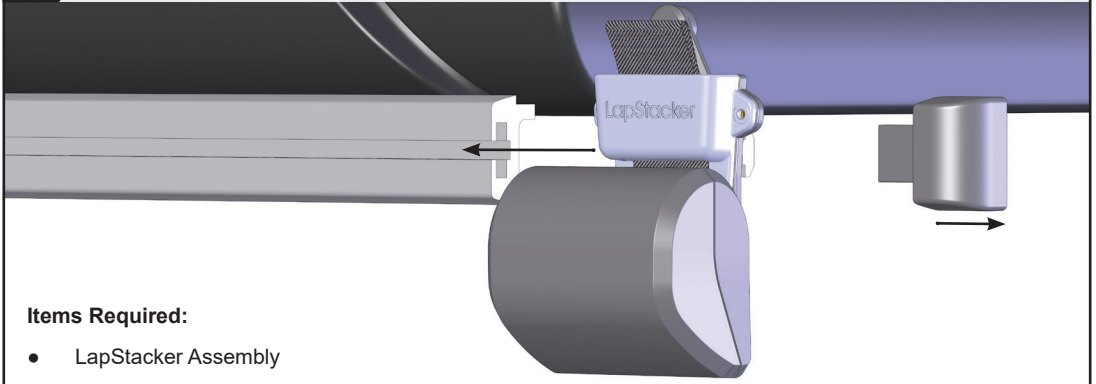


LapStacker Position



For Trouble Shooting please see page 7.

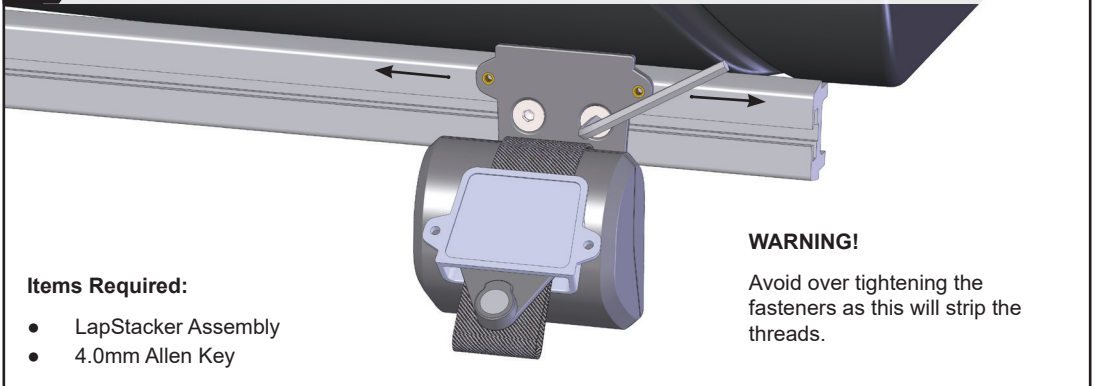
1. Remove end cap. Slide Bracket Assembly onto the seat extrusion.



Items Required:

- LapStacker Assembly

2. Adjust to ideal position and tighten screws.



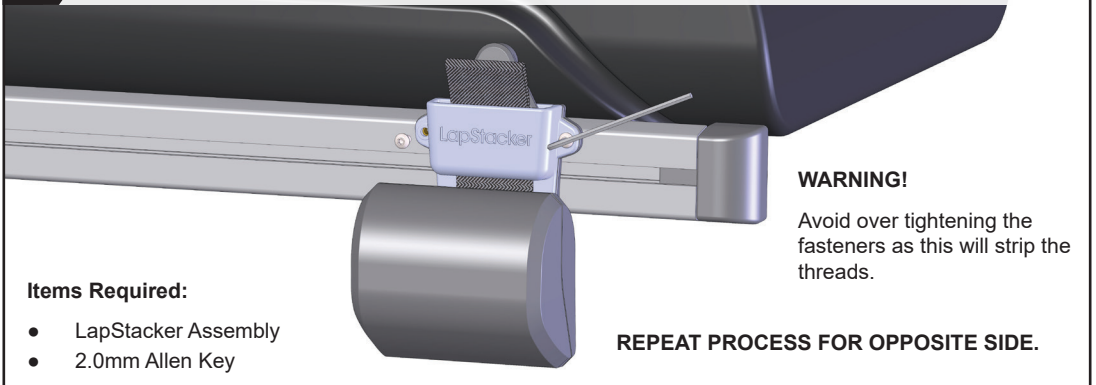
Items Required:

- LapStacker Assembly
- 4.0mm Allen Key

WARNING!

Avoid over tightening the fasteners as this will strip the threads.

4. Attach Keeper to Bracket with 2 x M3 fasteners. Re-fit end cap.



Items Required:

- LapStacker Assembly
- 2.0mm Allen Key

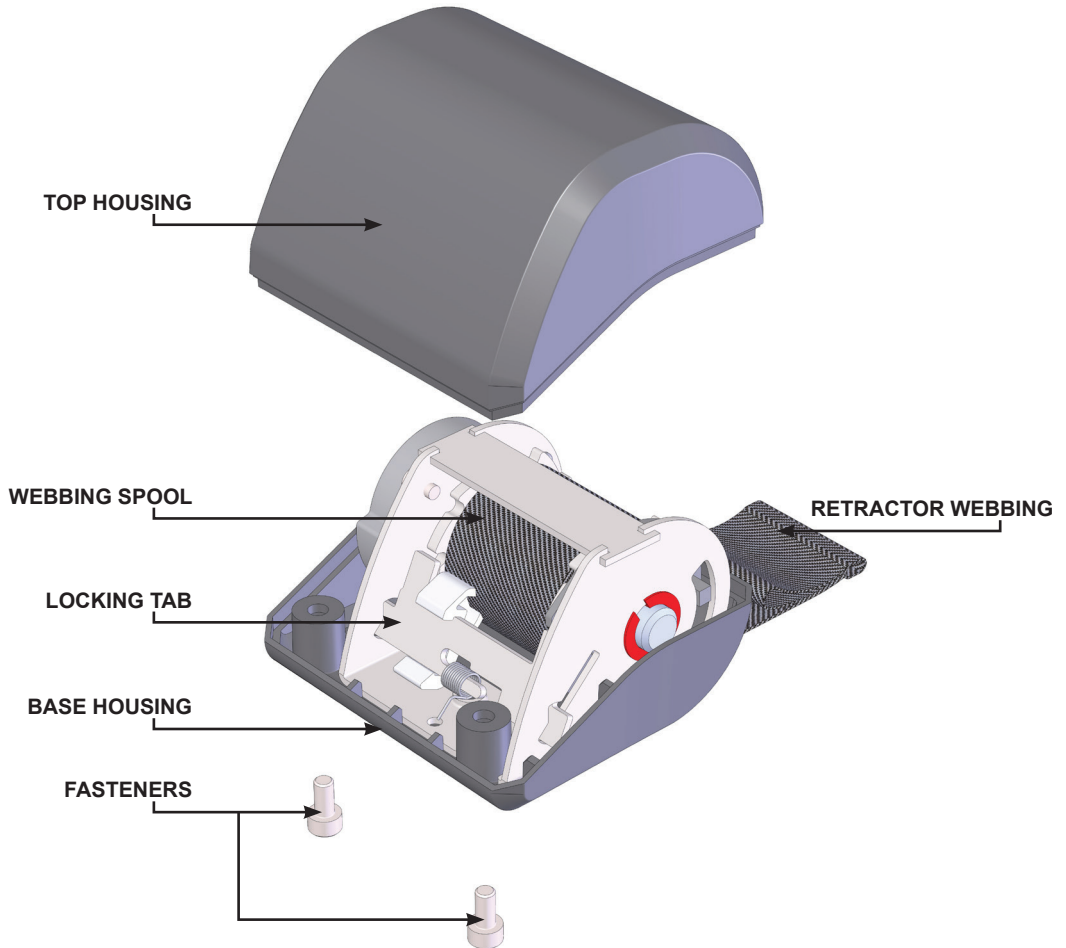
WARNING!

Avoid over tightening the fasteners as this will strip the threads.

REPEAT PROCESS FOR OPPOSITE SIDE.

Retractor Unit Assembly and Main Components.

- Please reference this illustration when using the trouble shooting guide on the following page.



NEED HELP?

If your LapStacker® problem is not listed below OR you are having trouble fixing the issue and need help, please contact Adaptdefy® directly and our staff will work with you to get your LapStacker® working correctly.

1. Webbing folds over itself and jams the Retractor Unit

- I. Remove the Retractor Unit from the wheelchair by unscrewing it from the Bracket using the 3mm Allen Key supplied.
- II. Carefully undo the two fasteners holding the Retractor housings together.
- III. Remove the Top Housing to reveal the webbing spool.
- IV. Locate the Locking Tab and pull this back to release the lock and allow the spool to turn freely.
- V. Pull on the end of the webbing until the folded section is revealed and the fold is removed.
- VI. Release the Locking Tab.
- VII. Carefully let the webbing retract back onto the spool. Make sure the webbing remains flat and level with the Retractor Unit to avoid it folding back onto itself.
- VIII. Fasten the Top Housing back in place and reinstall on your chair.

2. Webbing retracts completely inside the Retractor Housing

- I. Remove the Retractor Unit from the wheelchair by unscrewing it from the Bracket.
- II. Using the 3mm Allen Key supplied, carefully undo the two fasteners holding the Retractor enclosure together.
- III. Remove the Top Housing to reveal the webbing spool.
- IV. Locate the end of the webbing and pull it through the slot in the Base Housing.
- V. Attach the Buckle to prevent the webbing retracting.
- VI. Fasten the Top Housing back in place and reinstall on your chair.

3. Buckles come off of the webbing

- I. If the webbing has retracted into the housing as a result of the Buckles coming off, please view section 2 of the trouble shooting guide (page 8).
- II. With the webbing outside of the housing, feed the webbing loop back through the Keeper slot.
- III. Attach the Buckle using the small loop (2) adjacent to the end of the sewn section (see figure below). DO NOT use the large finger loop.

