

ISOMETRIC VIEW

CLIENT

COORDINATOR

DESIGNER

*Evan*

DRAWING VERSION

V0

DATE

2024-01-12

SIGNATURE

NOTE: Pls double check the drawings before signing. The production is based on the signed drawings and no amendment is accepted during production.



CLIENT

COORDINATOR

DESIGNER

*Evan*

DRAWING VERSION

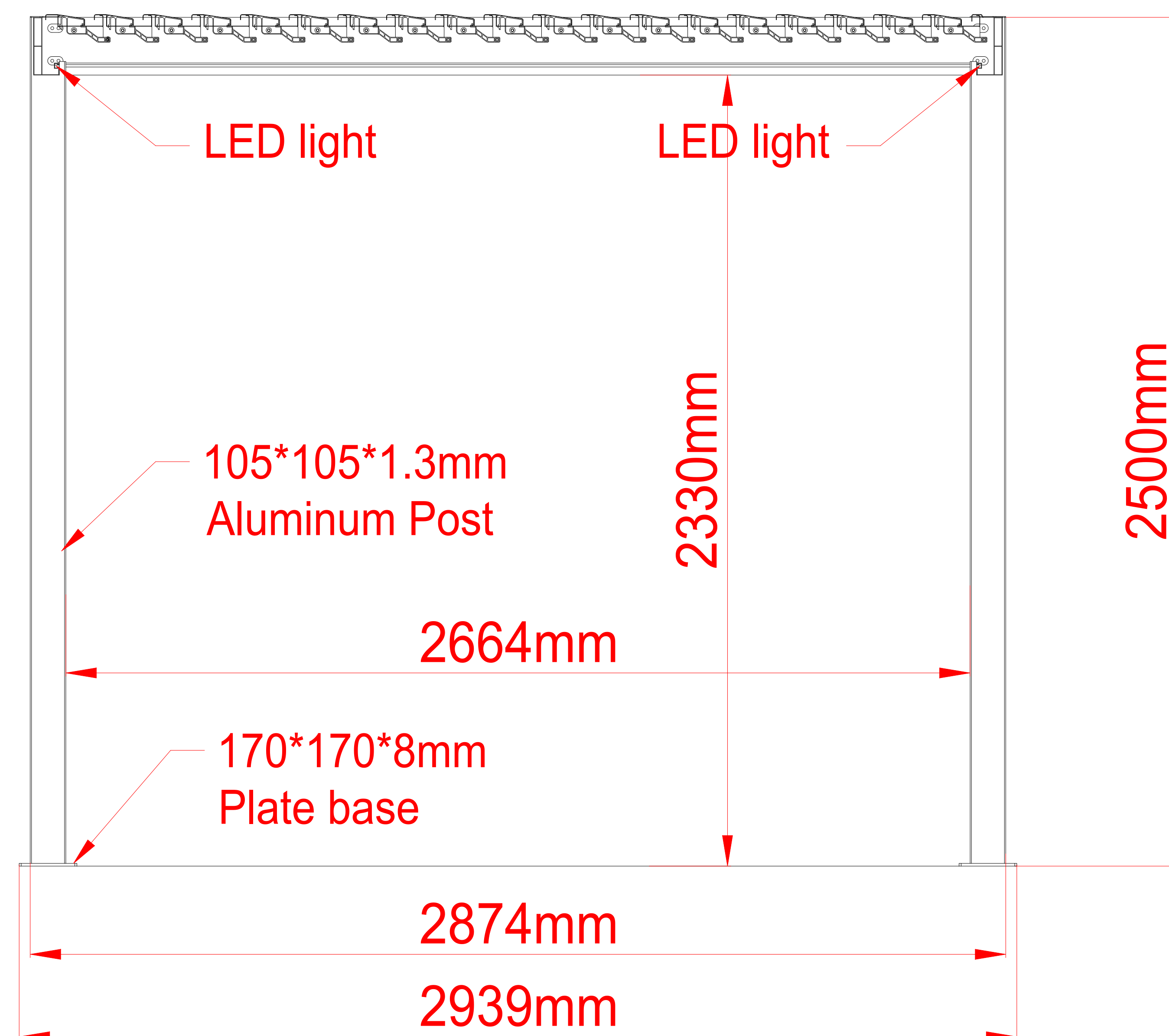
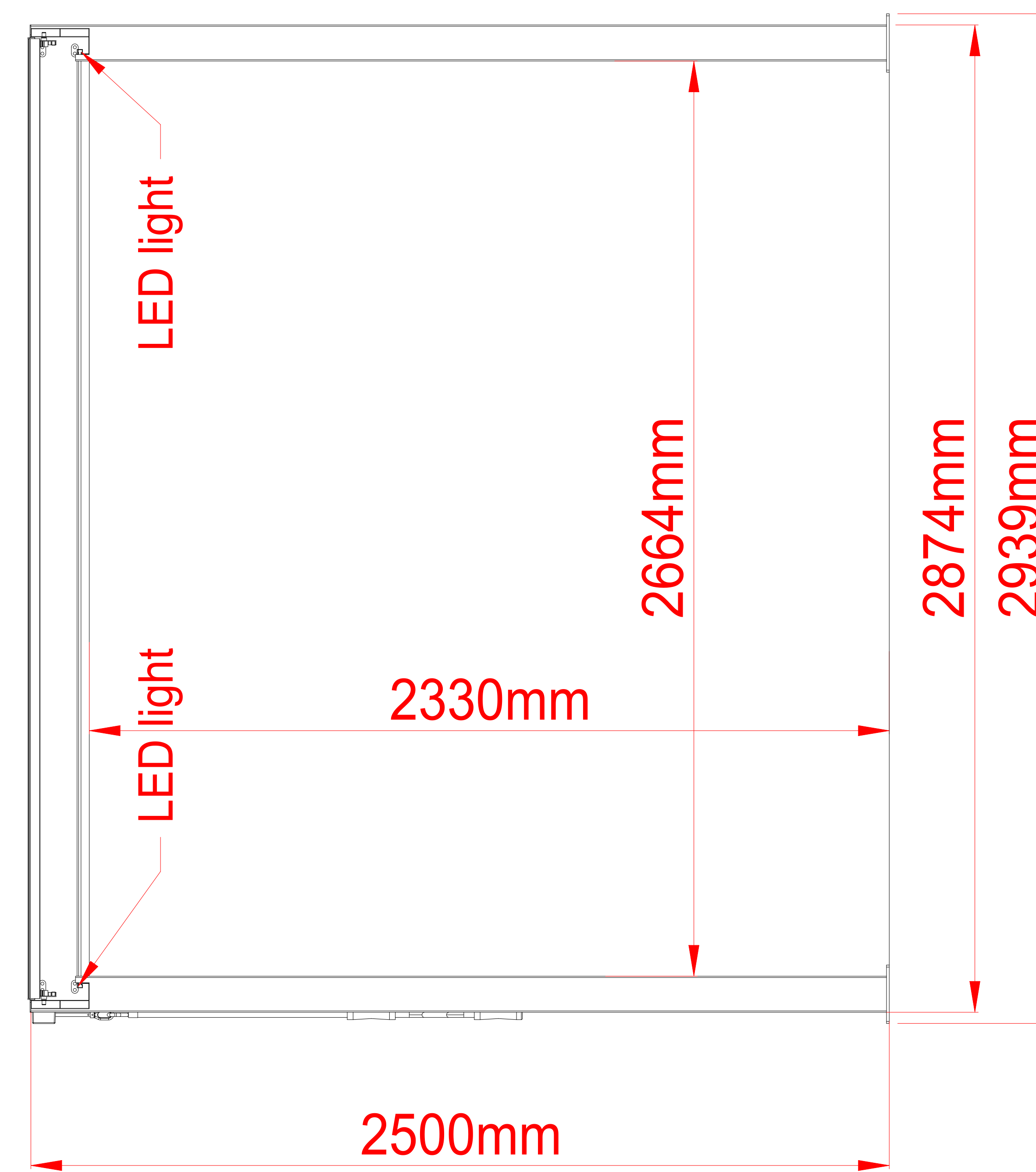
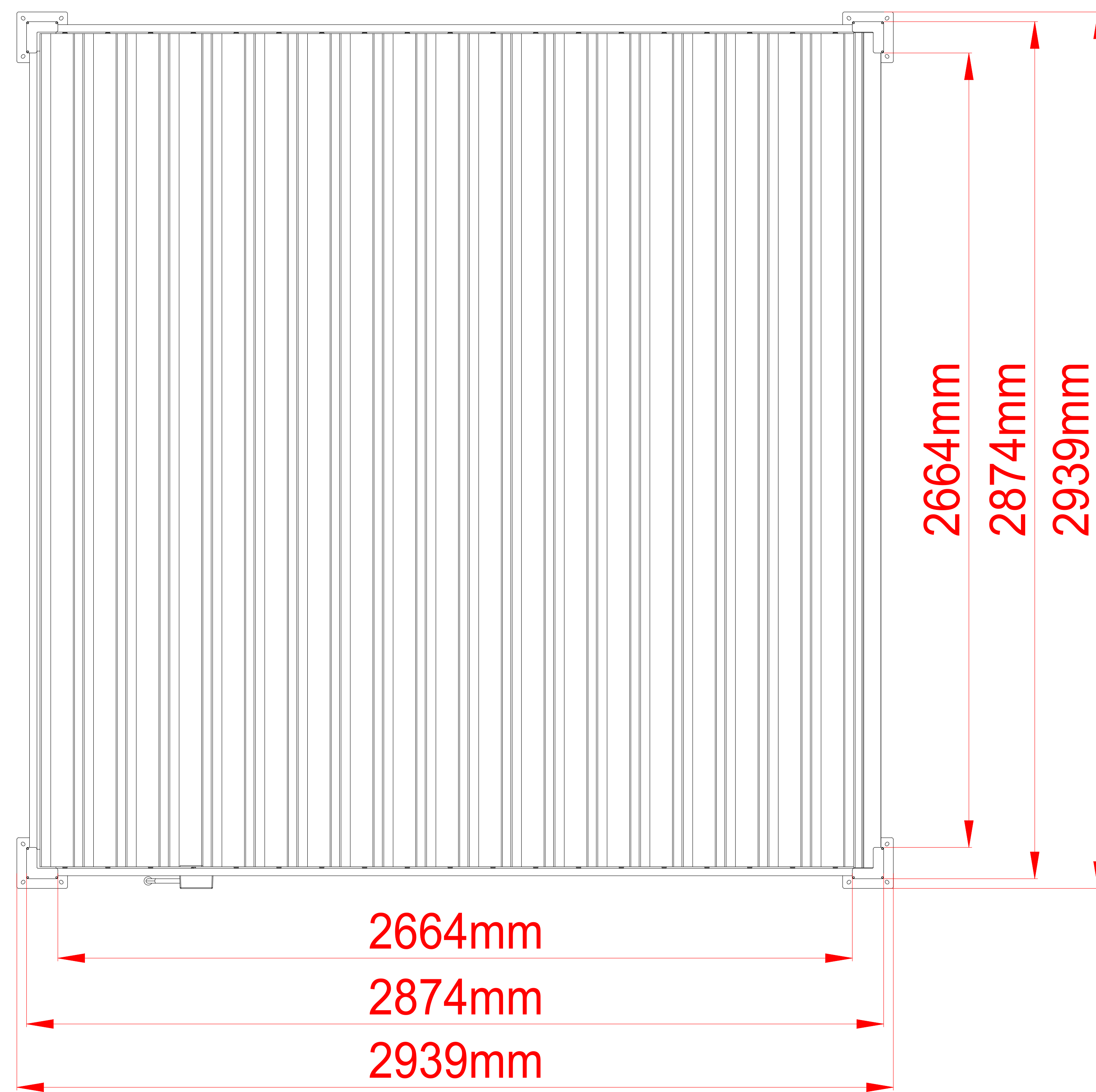
V0

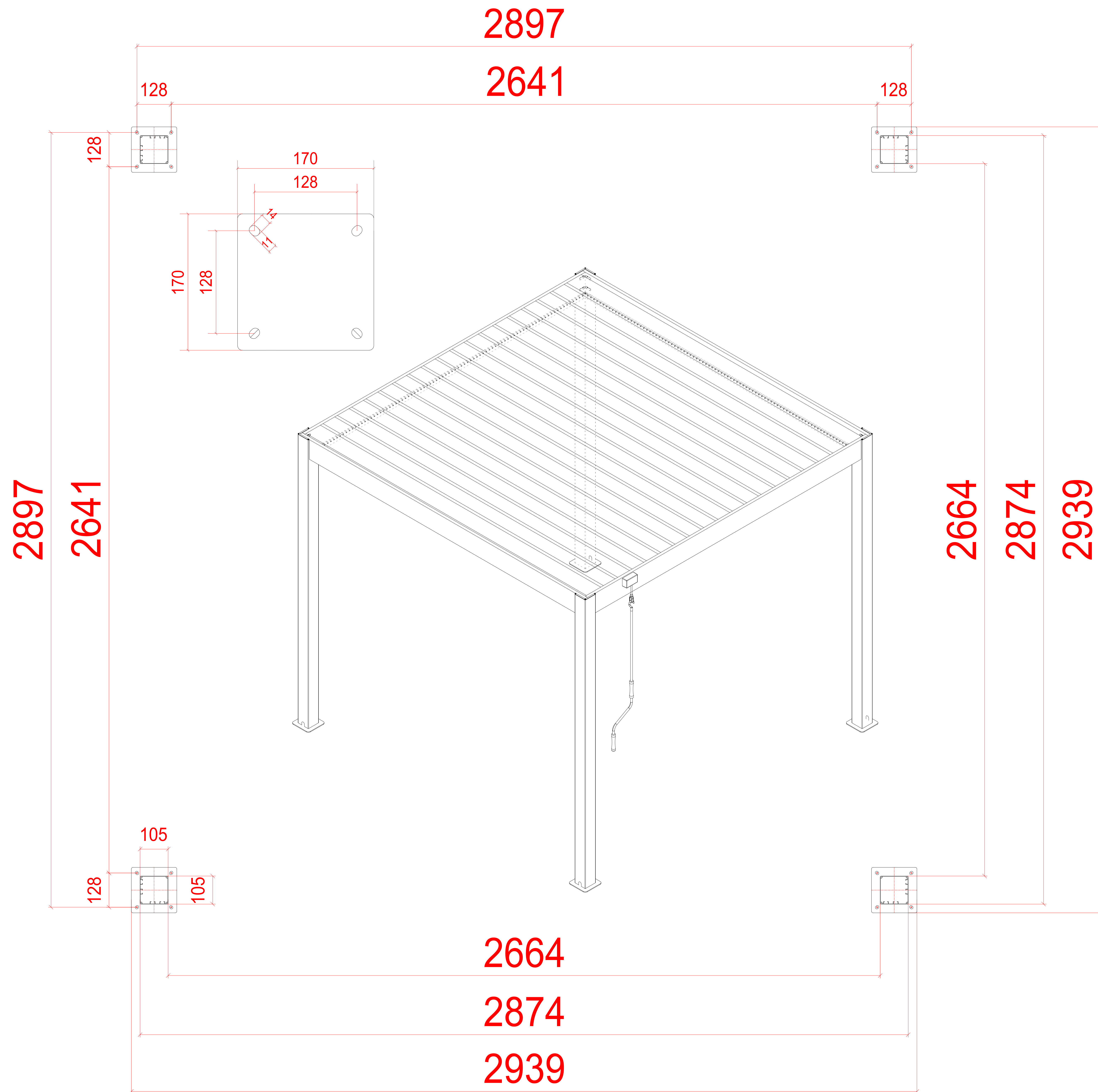
DATE

2024-01-12

SIGNATURE

NOTE: Pls double check the drawings before signing. The production is based on the signed drawings and no amendment is accepted during production.





CLIENT

COORDINATOR

DESIGNER

*Evan*

DRAWING VERSION

V0

DATE

2024-01-12

SIGNATURE

NOTE: Pls double check the drawings before signing. The production is based on the signed drawings and no amendment is accepted during production.