

# User Manual

## Spa Solutions Pergola



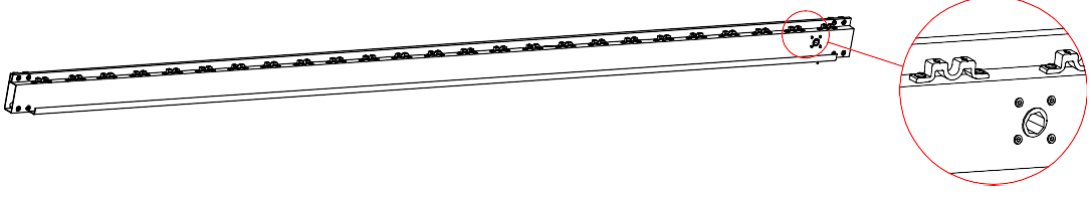
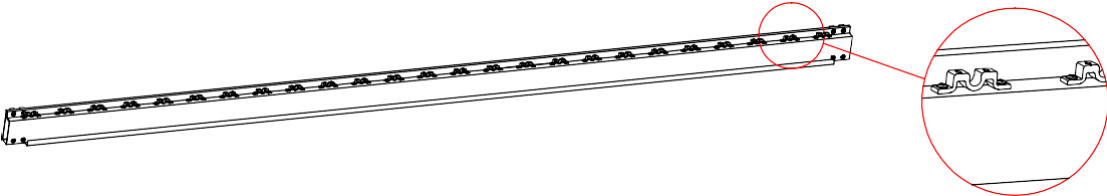
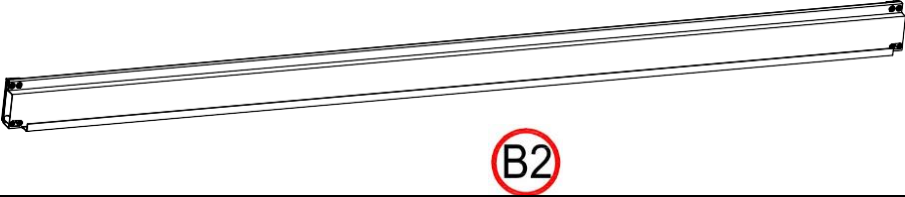
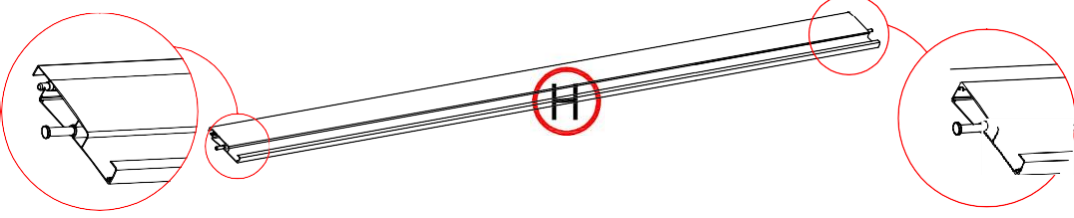
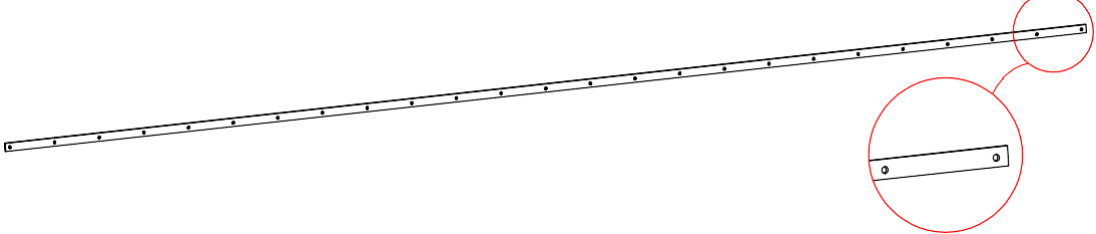
Installation Video

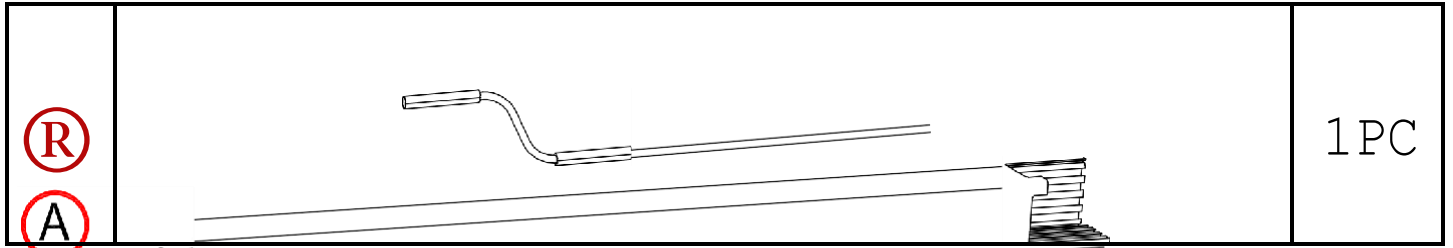


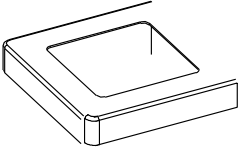
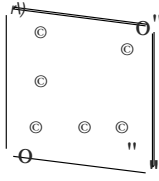

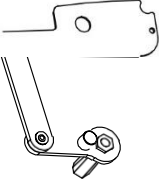
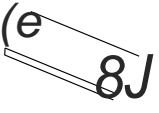
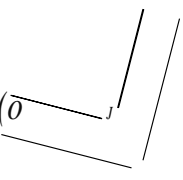
	REF	QTY	REF	QTY	REF	QTY
Carton 1/4	®	4PCS	CD	4PCS	0	4PCS
	@	49PCS	(D	1PC	@)	50PCS
	@	4PCS	@	24PCS	®	104PCS
	@	104PCS	@	12PCS	@	27PCS
	(I)	1PC	@	1PC	@	1PC
	@	16PCS	®	1PC	G)	2PCS
	User Manual	1SET				
Carton 2/4		1PC		1PC	©	2PCS
	®	1PC		1PC		
Carton 3/4	@	13PCS				

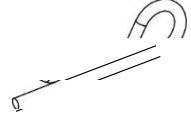
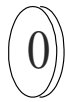


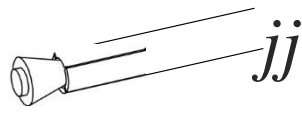




Carton 4/4	@	12PCS				
---------------	---	-------	--	--	--	--

REF	PICTURE	QTY
		4PCS
		1PC
		1PC
©		2PCS
@		25PCS
®		1PC



REF	PICTURE	QTY
CD		4PCS
O		4PCS
(R)		49PCS
		1PC
		50PCS
(R)		4PCS
@		24PCS
(R)	M5x12mm	104PCS
@	4.2x25mm	104PCS

REF	PICTURE	QTY
(R)	5.5x19mm	12PCS
(R)		27PCS
		1PC
		1PC
(y)		1PC
		16PCS
(X)		1PC
		2PCS

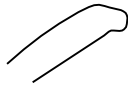
# Warning

In snow season or in case of snow forecast open up your shutters in vertical position to avoid any damaging on your pergola.

What you need?



glove



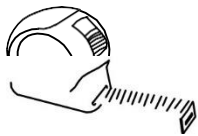
knife



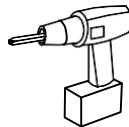
hammer



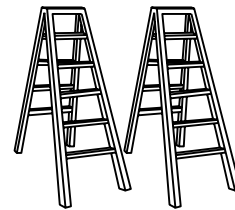
Safety hat



tapeline

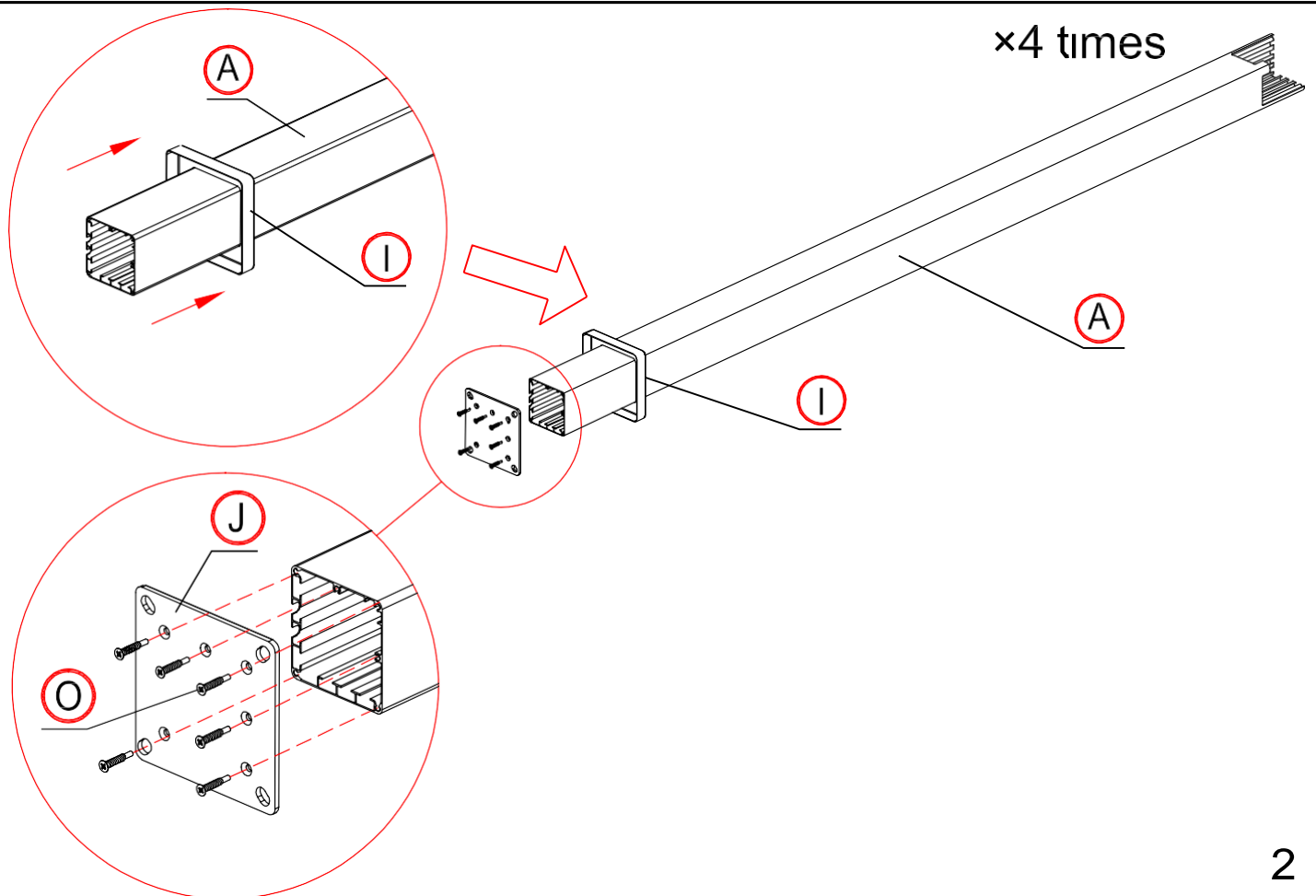


electric screw driver



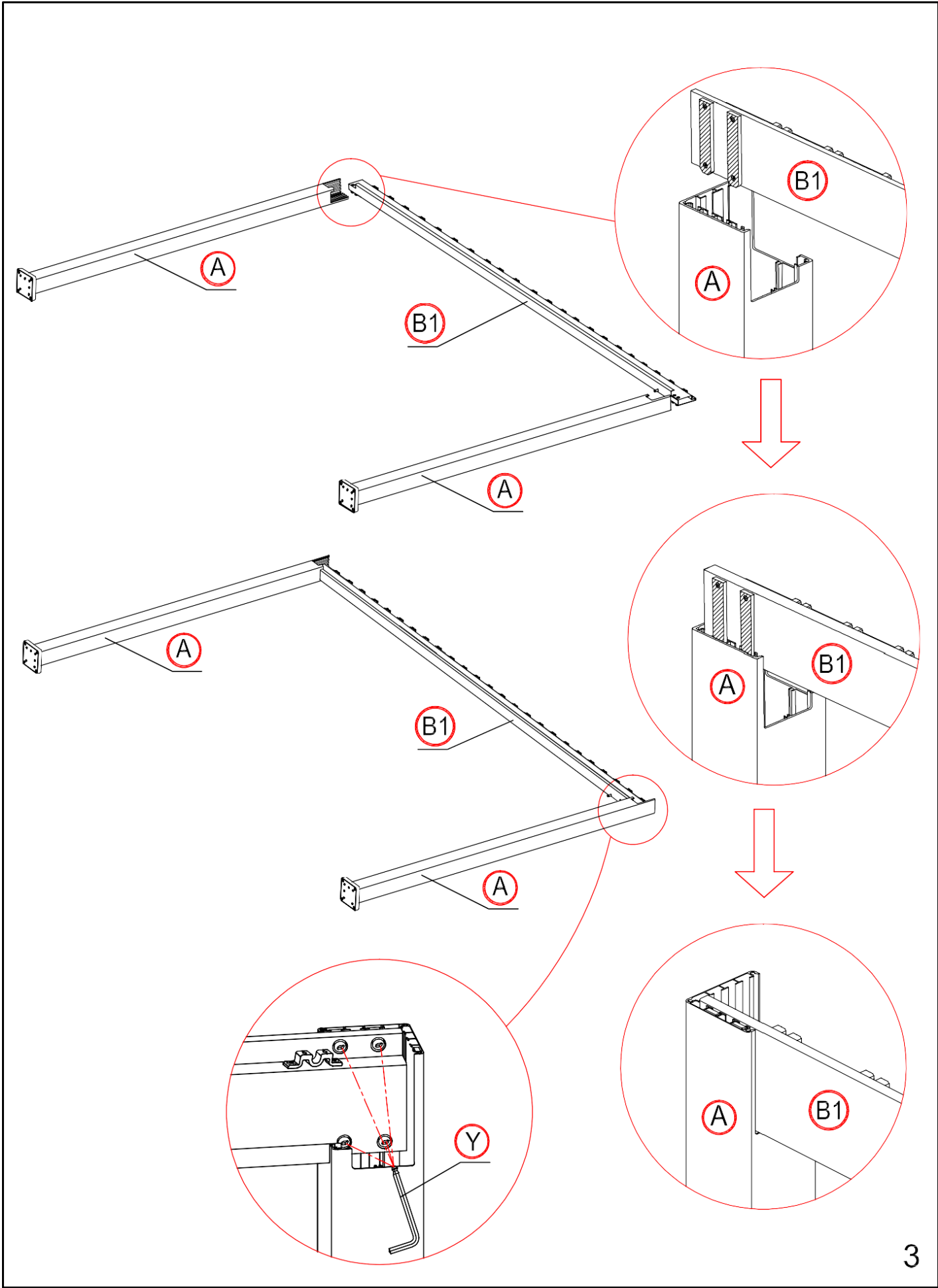
ladder

1



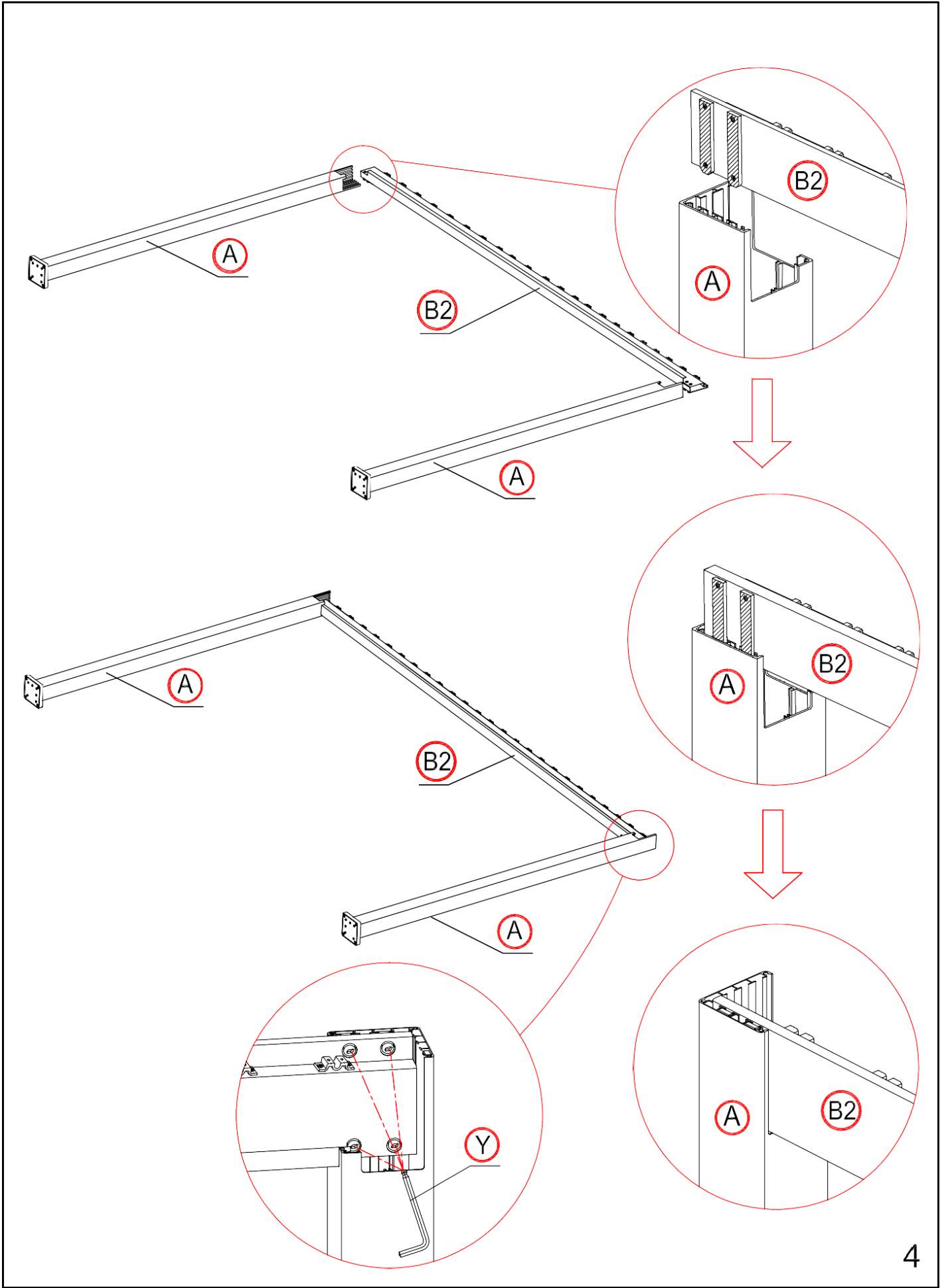
2





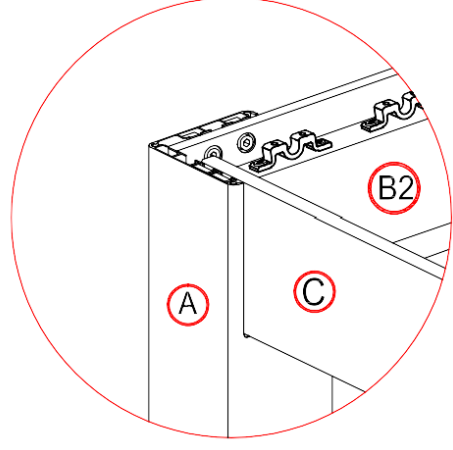
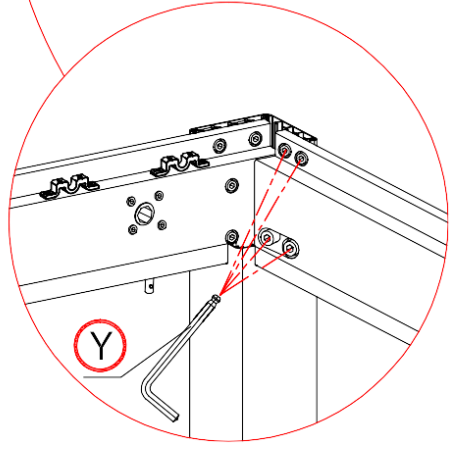
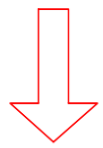
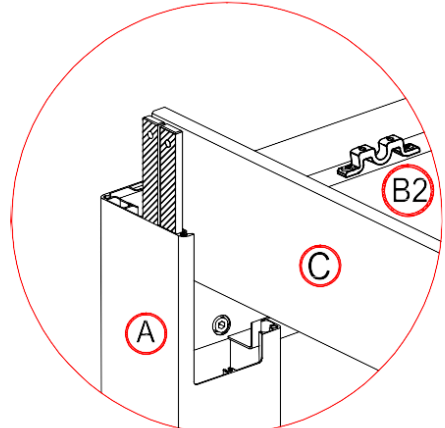
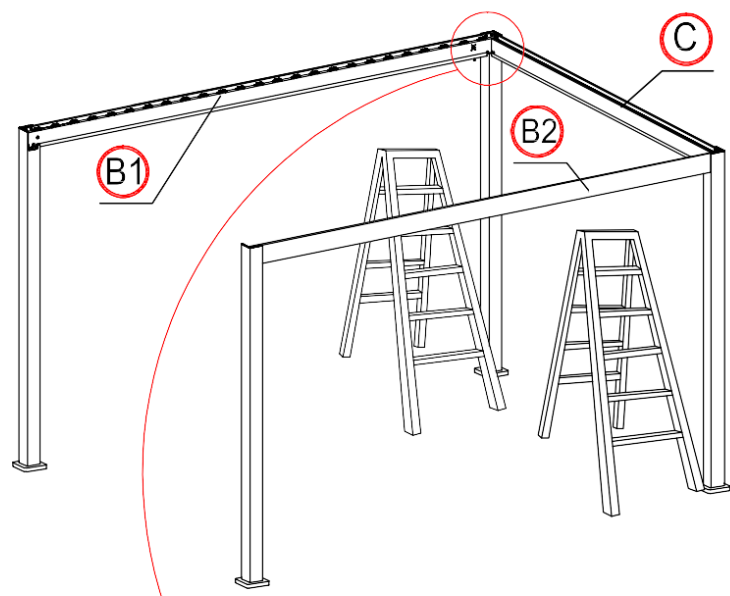
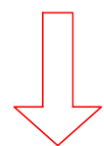
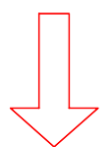
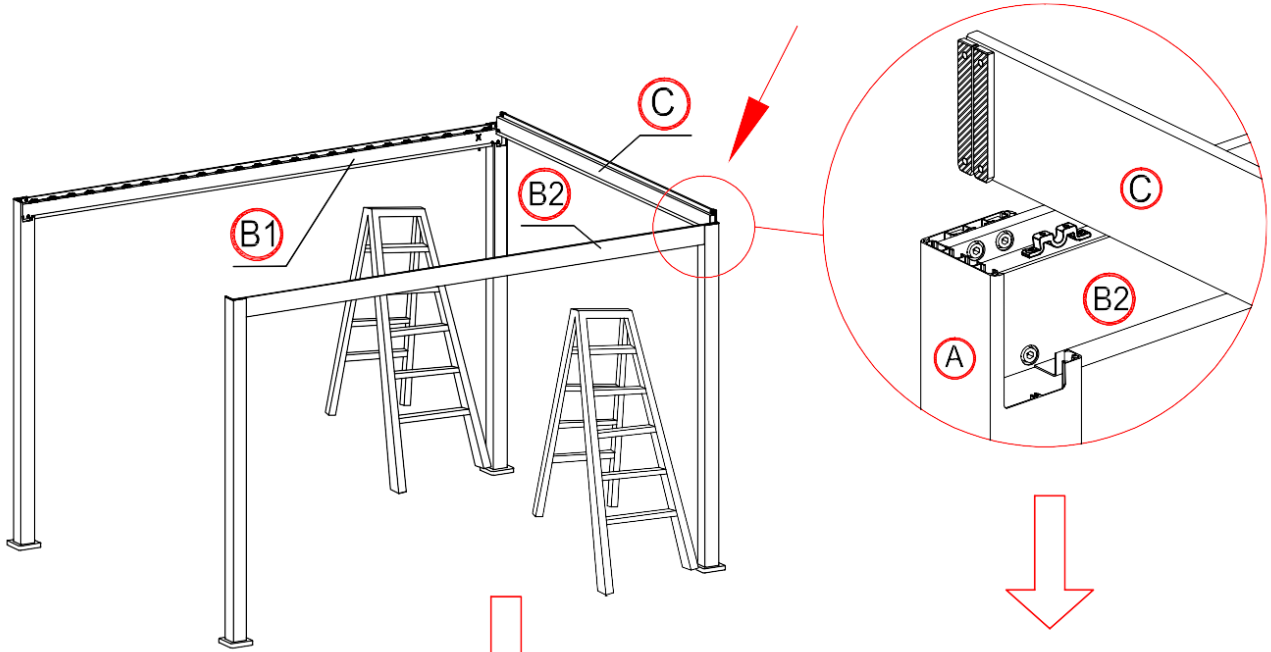
4

3



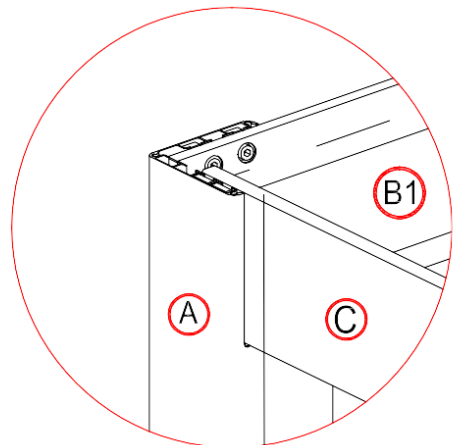
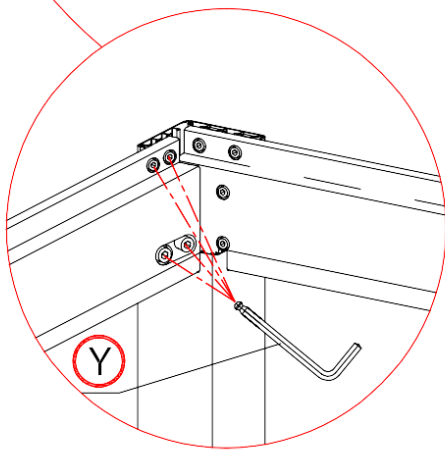
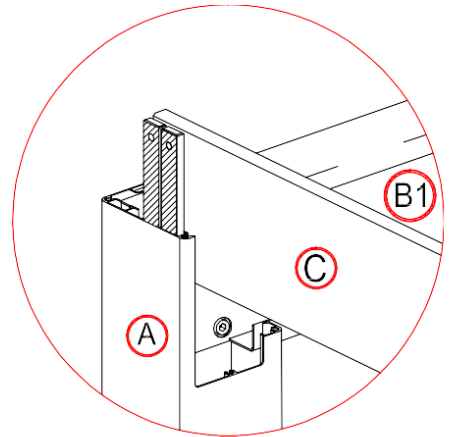
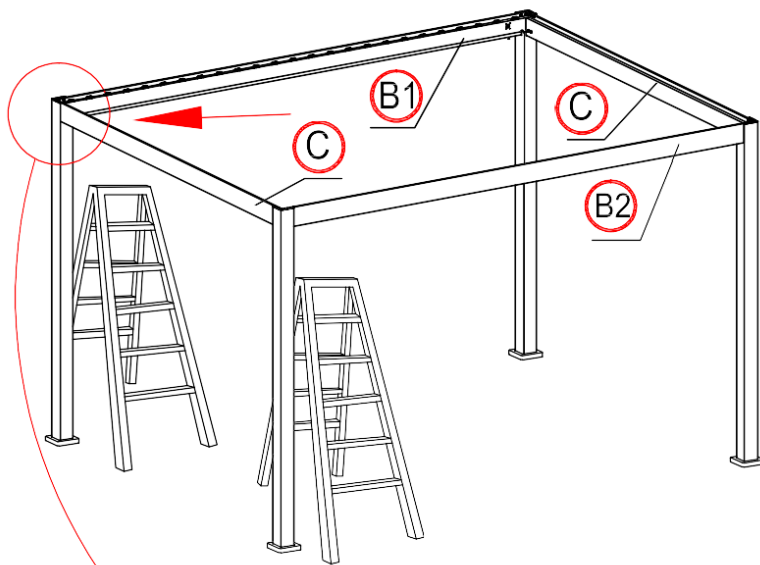
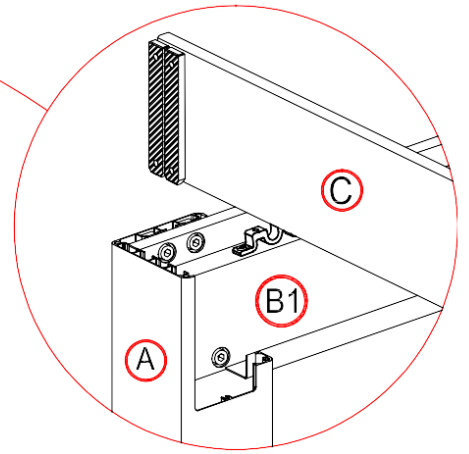
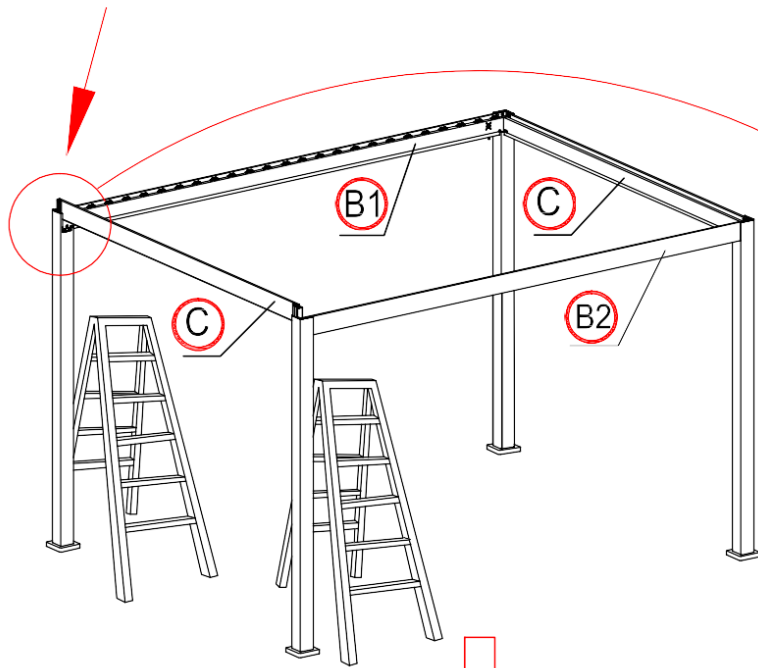
5





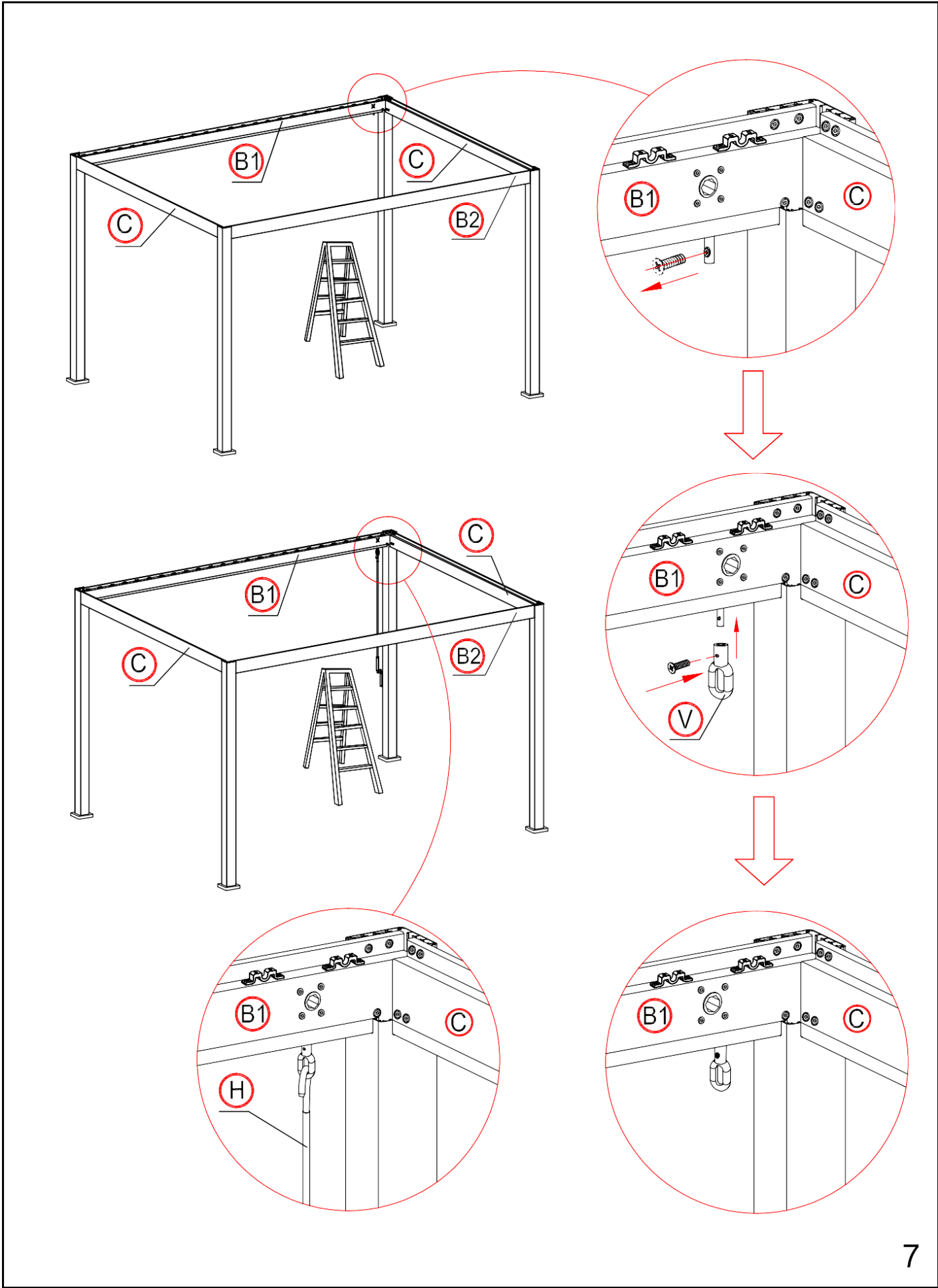
5

5

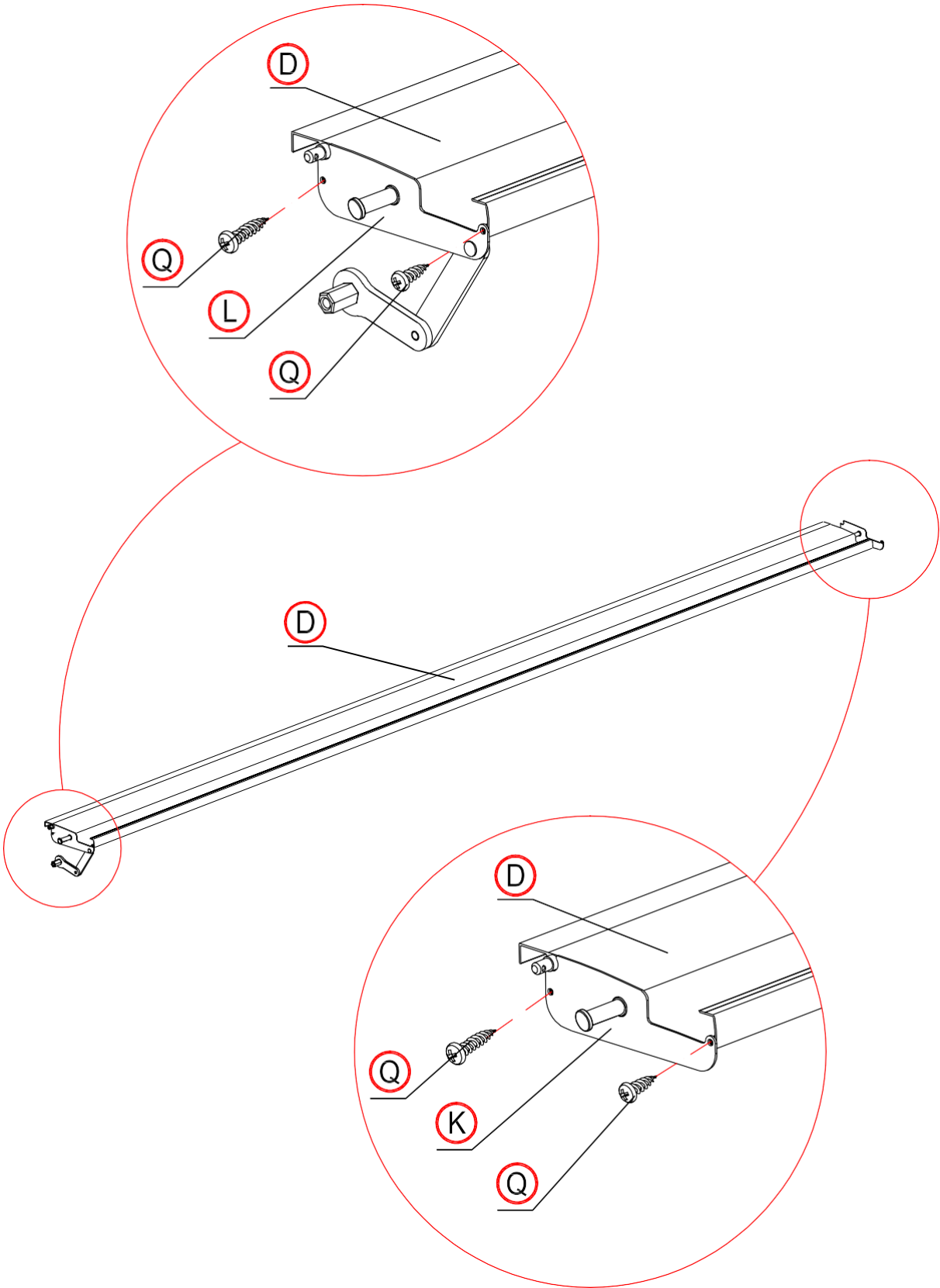


6

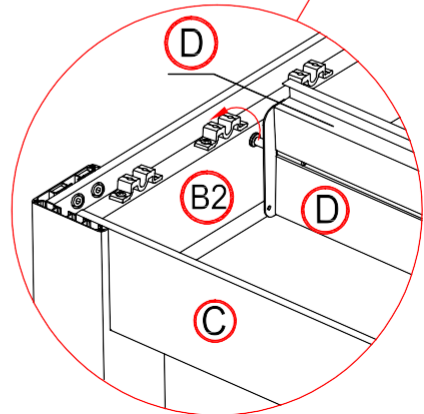
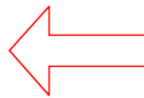
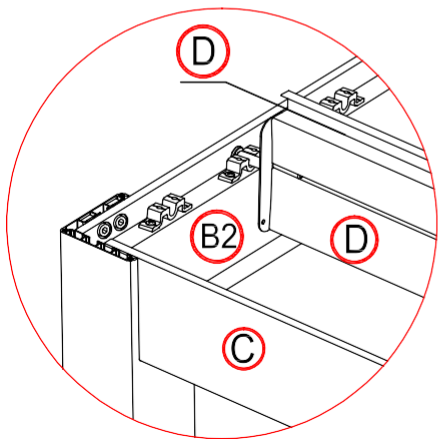
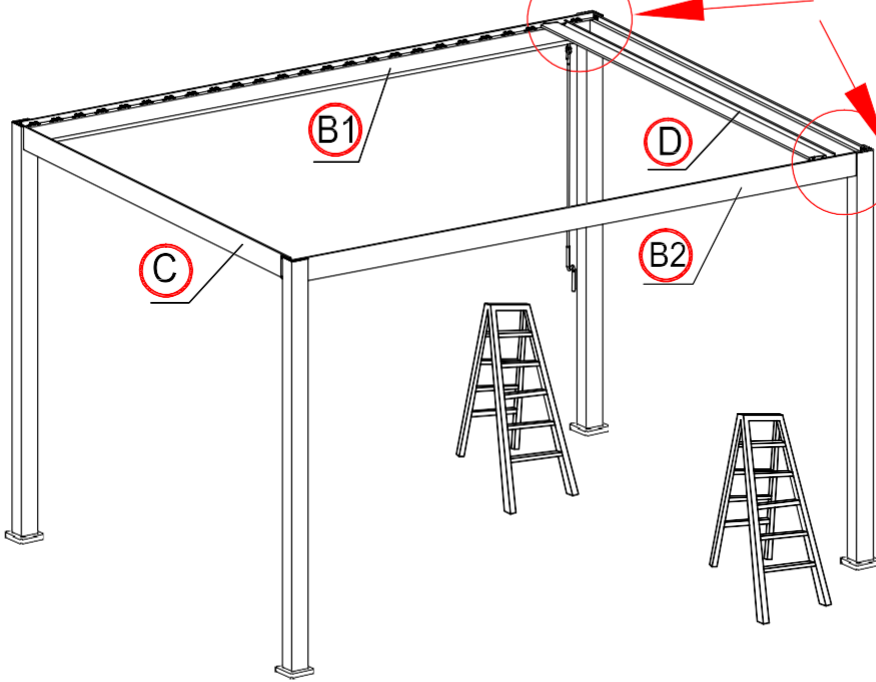
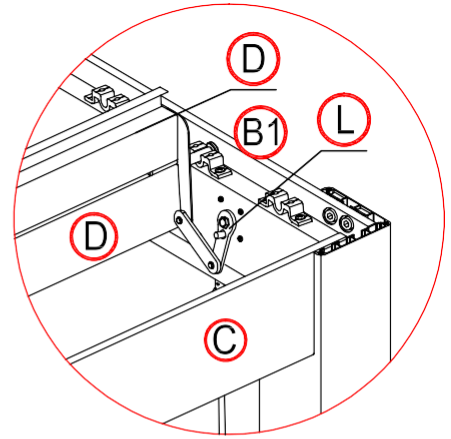
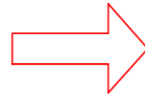
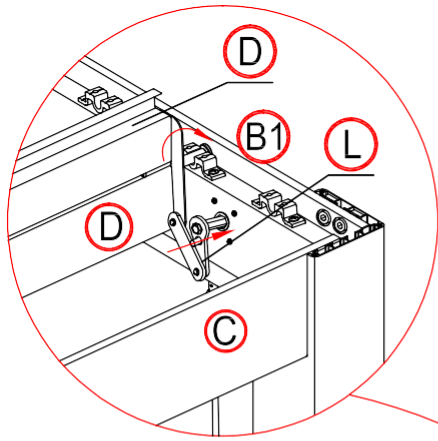
5

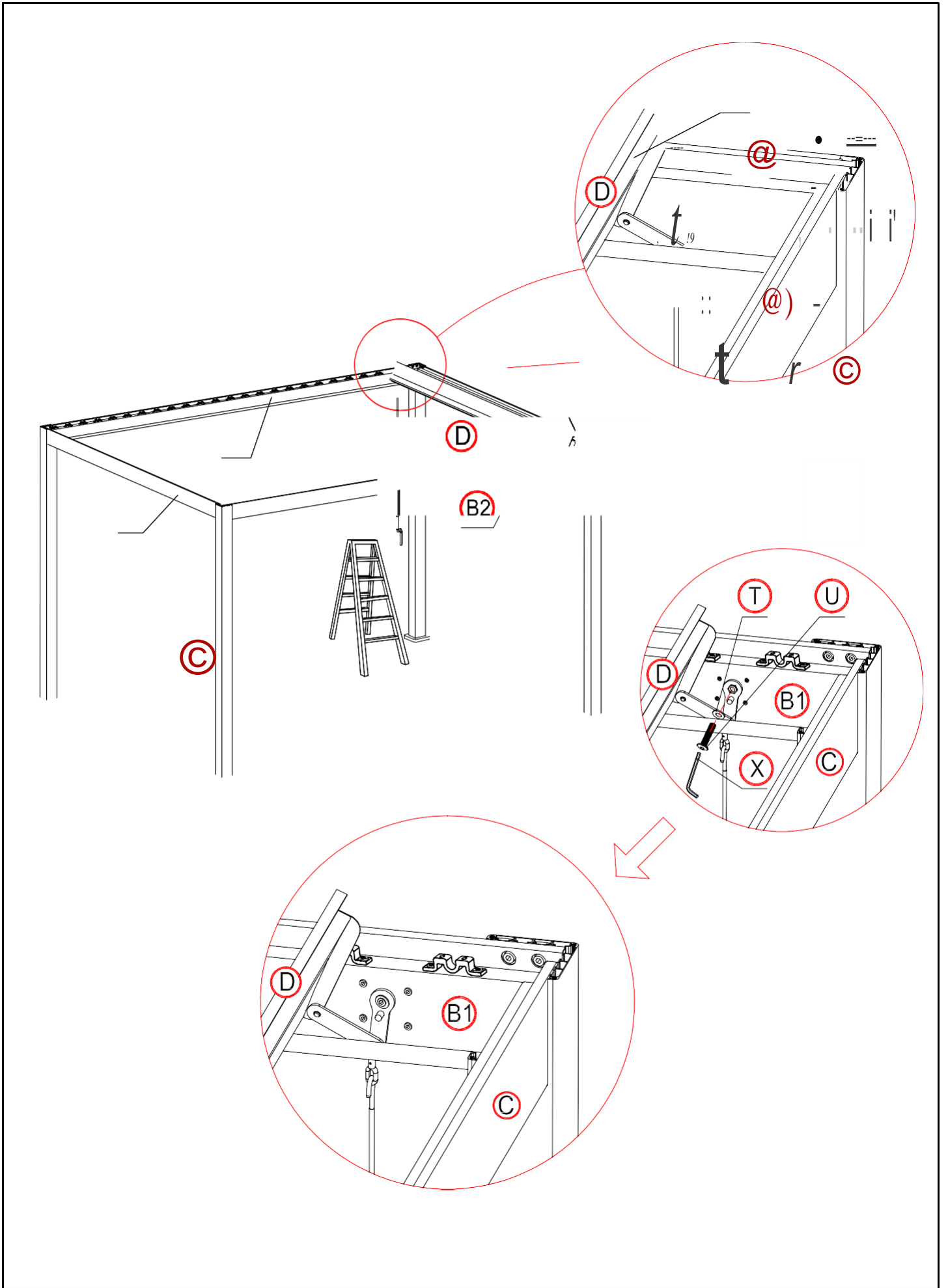


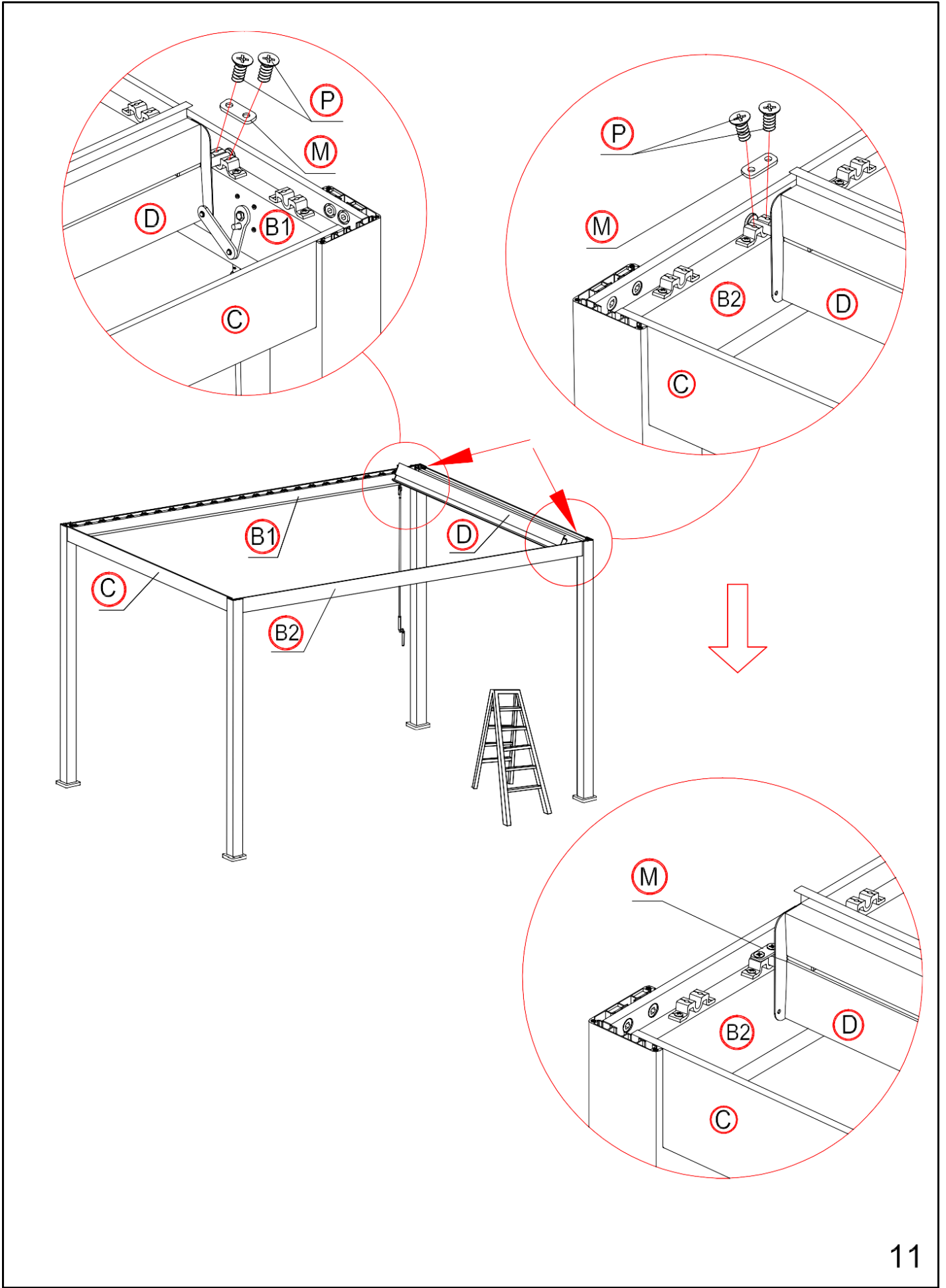
×1 time



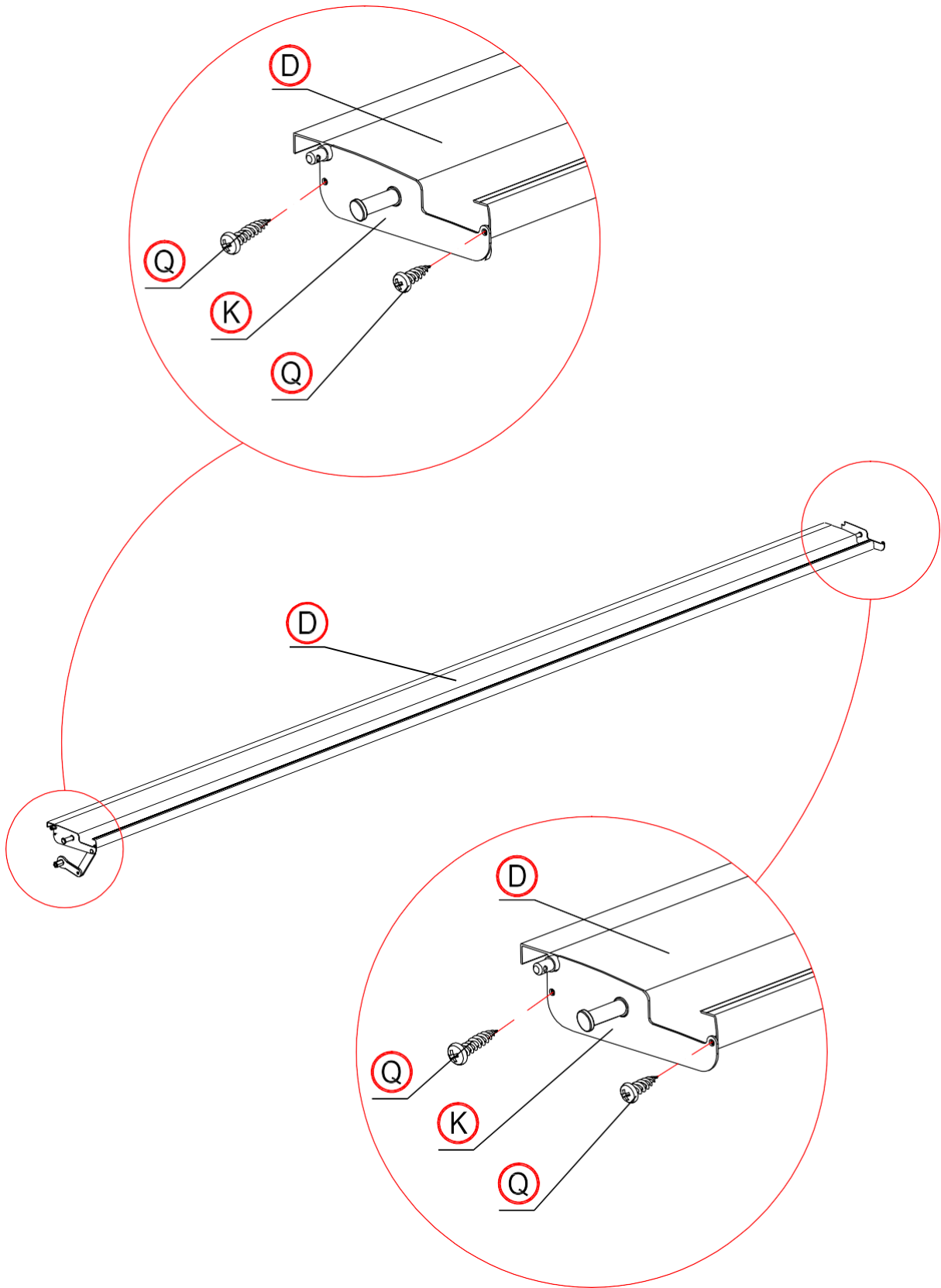
5



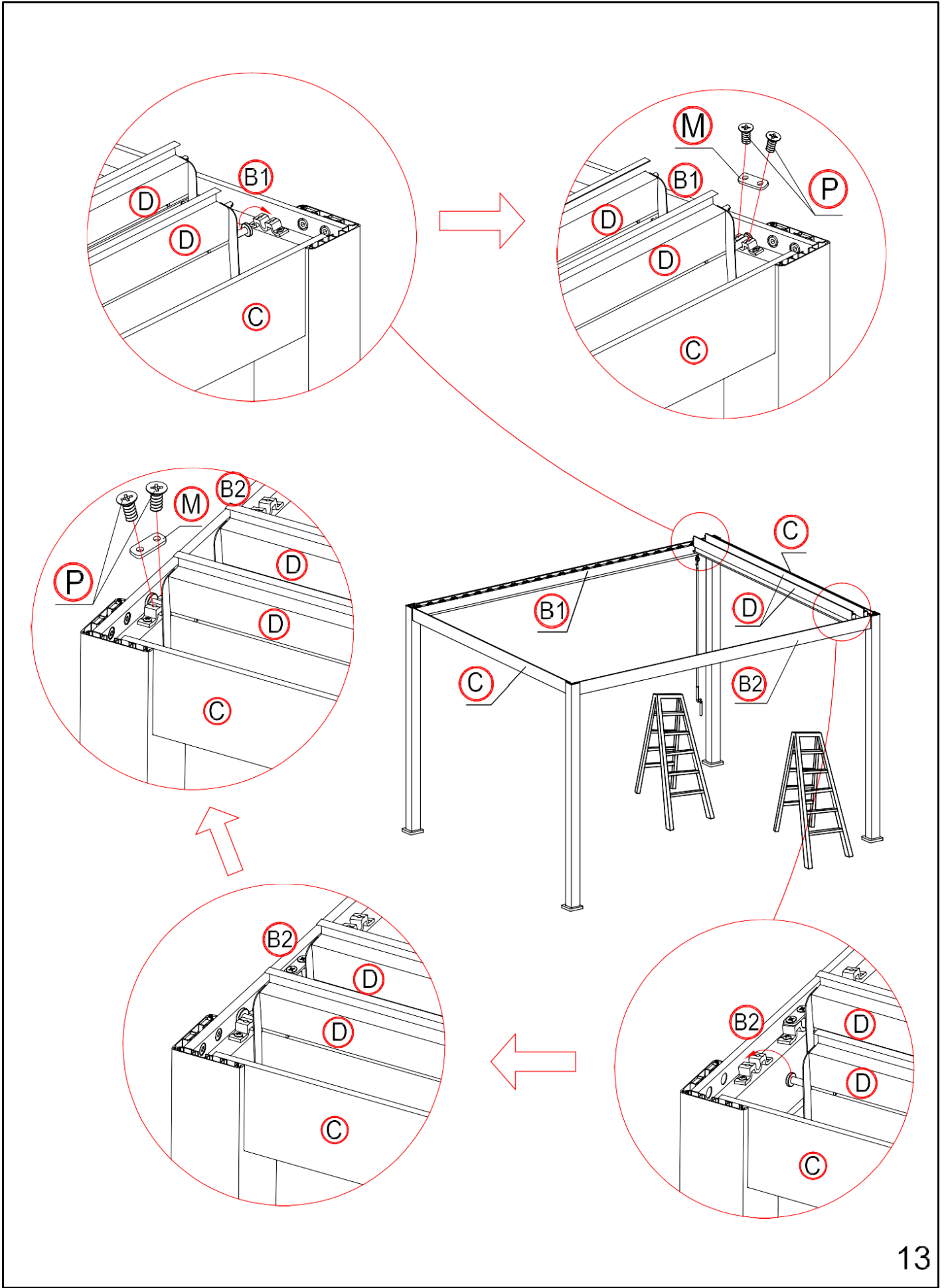




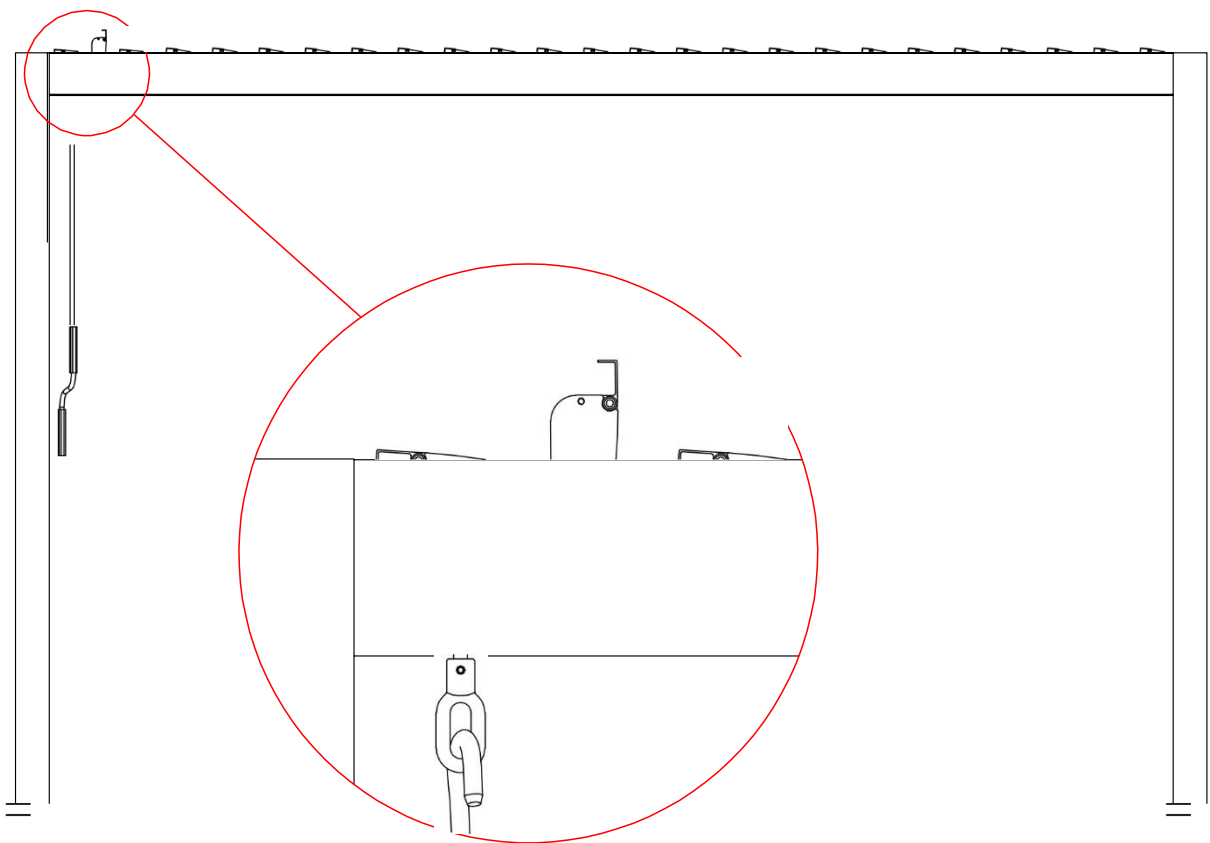
×24 times

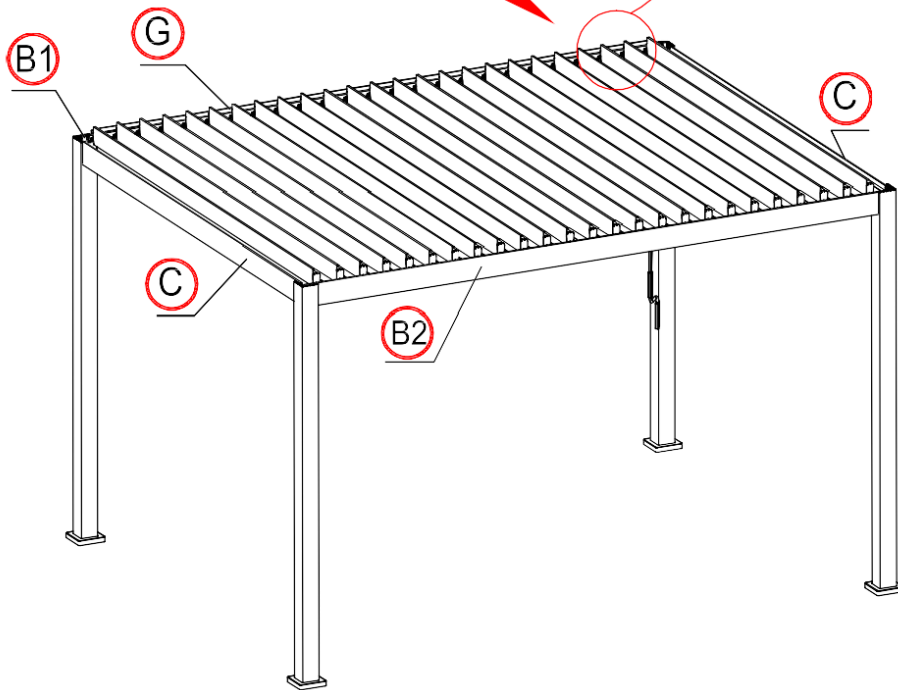
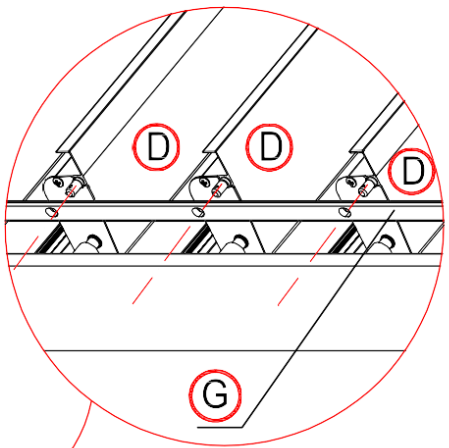
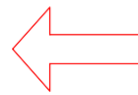
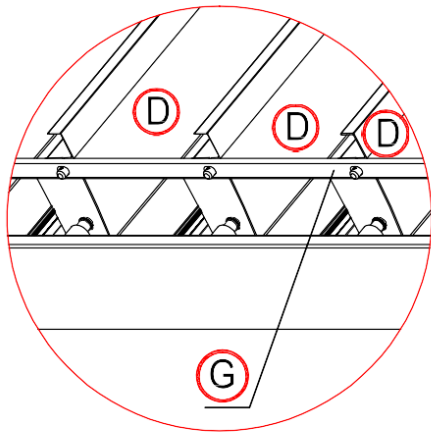
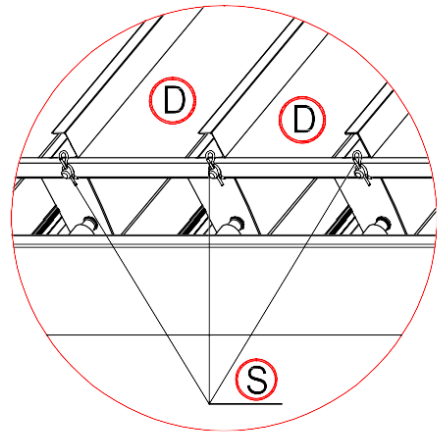
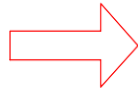
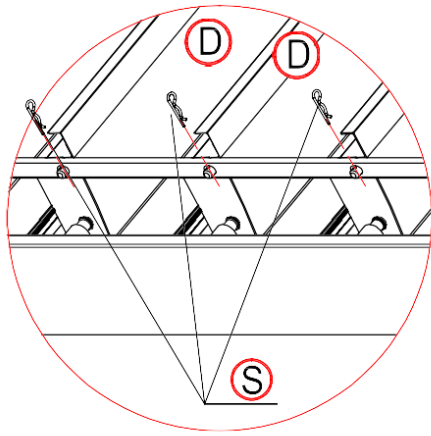




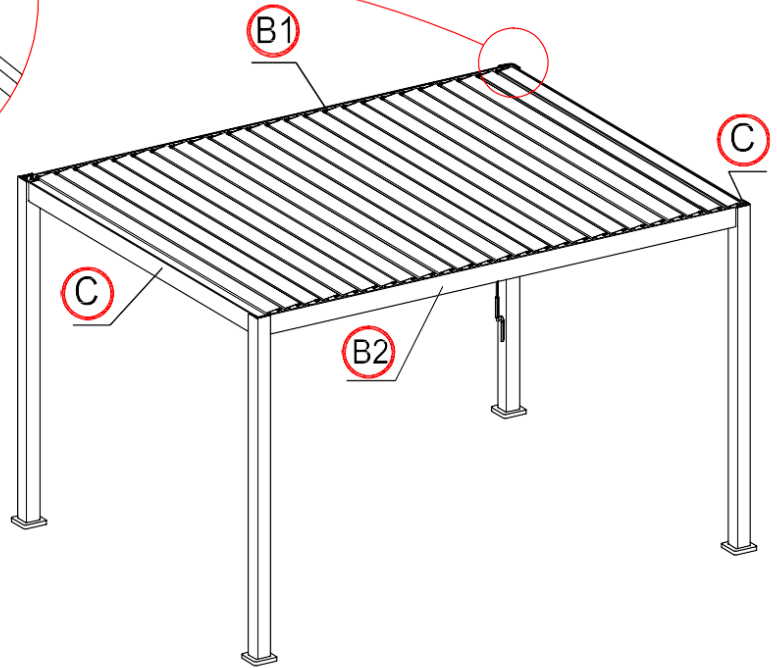
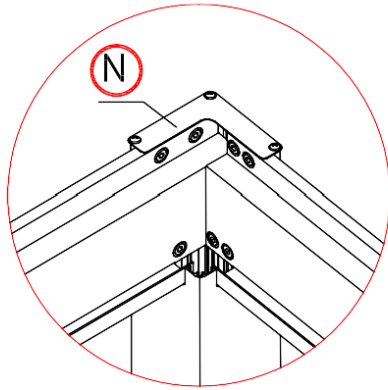
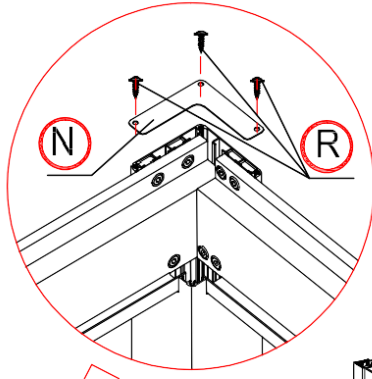


Make the shutter as vertical.



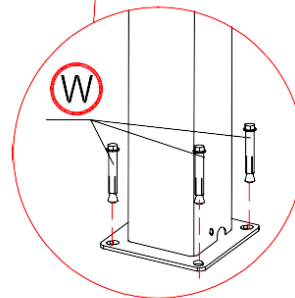
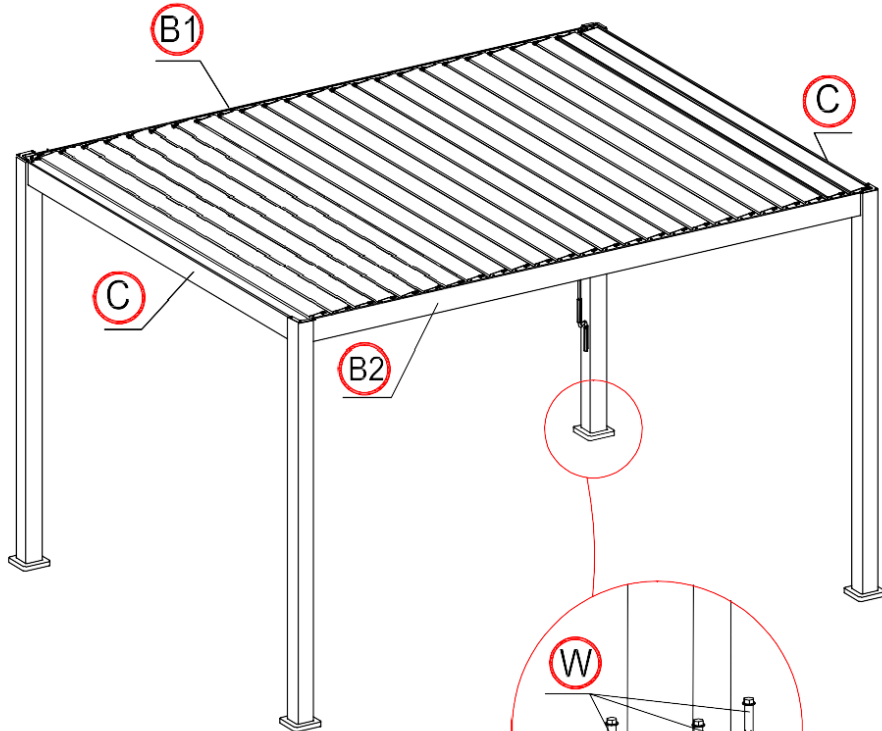


×4 times



16

×4 times



17