

G56UHS02XX Series Stainless Steel

Rectangular HPL shower seat with legs. Stainless steel frame, 10 mm HPL seat top with leveling feet.

Mounting hardware supplied for wood stud installation.

Product Data

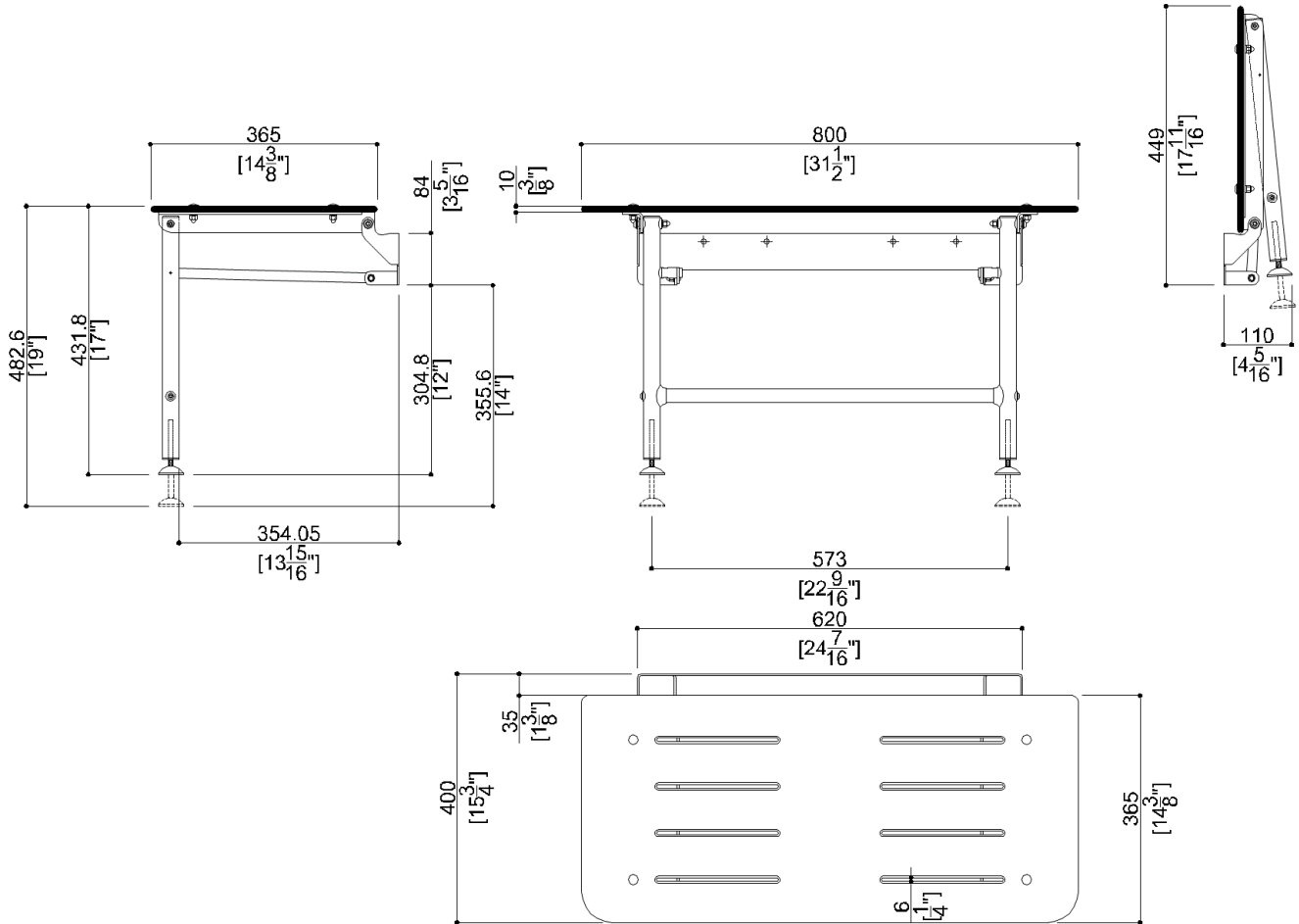
Overall Dimensions (Inch.)	31-1/2 x 15-3/4 x 19
Net Weight (lbs.)	17.64

Installation Hardware Details

Stainless steel screw	TE inox A2 8x70
-----------------------	-----------------

Packaging Details

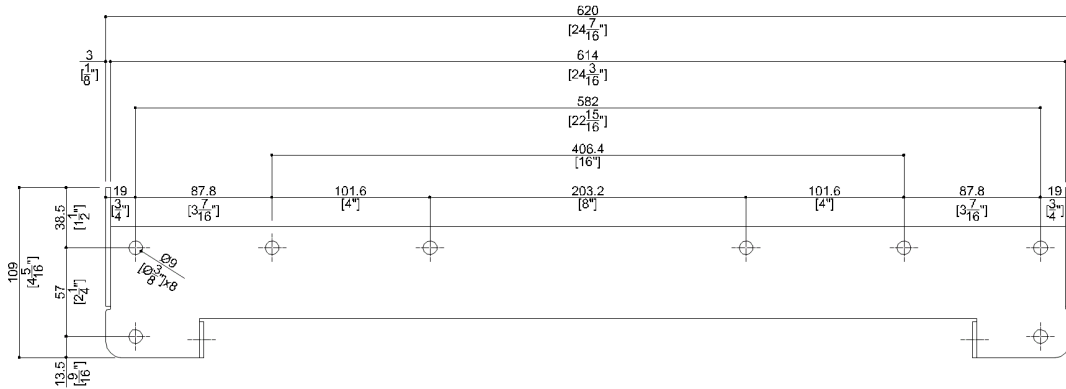
Package	LDPE bag in cardboard box
Package dimensions (Inch.)	34-5/8 x 5-11/16 x 18-1/8
Weight with Packaging (lbs.)	19.84



G56UHS02XX Series Stainless Steel

Y88JKS92

AISI304 stainless steel wall fixing plate



Available Finishes (xx)

Seat

W8
Cold White

Legs

N1
Satin

Materials and finishes

Stainless Steel Tumbled

HPL Matt

Load Capacity

Vertical 600 lbs.

Warning

Before installation and use, read the installation and use instructions in their entirety. If questions arise please contact Ponte Giulio company.

Cleaning

- The grab bar is not affected by the room's temperature, though it must not be installed in locations subject to temperatures below 39°F (4°C) or above 104°F (40°C).
- Do not install in saunas.
- Not following the temperature recommendations may result in damage to vinyl coating on grab bars and flange.

Warranty

Please visit www.pontegiulio.com for complete warranty details.