

25*10 Moving head light User Manual



NewFeel Lighting PROFESSIONAL all rights reserved. Information, specifications, diagrams, images, and instructions herein are subject to change without notice. NewFeel Lighting PROFESSIONAL logo and identifying product names and numbers herein are trademarks of NewFeel Lighting PROFESSIONAL. Copyright protection claimed includes all forms and matters of copyrightable materials and information now allowed by statutory or judicial law or hereinafter granted. Product names used in this document may be trademarks or registered trademarks of their respective companies and are hereby acknowledged. All non-NewFeel Lighting brands and product names are trademarks or registered trademarks of their respective companies.

NewFeel Lighting PROFESSIONAL and all affiliated companies hereby disclaim any and all liabilities for property, equipment, building, and electrical damages, injuries to any persons, and direct or indirect economic loss associated with the use or reliance of any information contained within this document, and/or as a result of the improper, unsafe, insufficient and negligent assembly, installation, rigging, and operation of this product.

DOCUMENT VERSION



Please check www.newfeellight.com for the latest revision/update of this manual.

Date	Document Version	Software Version	DMX Channel Modes	Notes
12/23/15	1	IU01: ≥ 1.04 2U01: ≥ 1.04 3U01: ≥ 1.04 4U01: ≥ 1.04	Basic/Stand/Extend 17 / 19 / 115	Updated installation diagram and program chase macro descriptions.
1/22/16	2	IU01: ≥ 1.14 2U01: ≥ 1.14 3U01: ≥ 1.14 4U01: ≥ 1.14	17 / 19 / 115 UserA/UserB/UserC 20 / 18 / 116	Added new User A/B/C DMX traits.

CONTENTS

General Information	4
Warranty	6
Safety Instructions	7
General Guidelines	8
Fixture Overview	9
Fixture Installation	10
Fixture Menu	14
DMX Channel Functions And Values	19
Error Codes	39
Cleaning and Maintenance	40
Technical Specifications	41
Optional Accessories	43

GENERAL INFORMATION

INTRODUCTION

Congratulations, you have just purchased one of the most innovative and reliable lighting fixtures on the market today! This fixture has been designed to perform reliably for years when the guidelines in this booklet are followed. Please read and understand the instructions in this manual carefully and thoroughly before attempting to operate this unit. These instructions contain important information regarding safety during use and maintenance.

UNPACKING

Every fixture has been thoroughly tested and has been shipped in perfect operating condition. Carefully check the shipping carton for damage that may have occurred during shipping. If the carton appears to be damaged, carefully inspect your unit for damage and be sure all accessories necessary to operate the unit have arrived intact. In the event damage has been found or parts are missing, please contact our customer support team for further instructions. Please do not return this unit to your dealer without first contacting customer support at the number listed below. Please do not discard the shipping carton in the trash. Please recycle whenever possible.

BOX CONTENTS

- (2) Omega Brackets
- (1) powerCON Cable

CUSTOMER SUPPORT

NewFeel Lighting Professional® provides a customer support line, to provide set up help and to answer any question should you encounter problems during your set up or initial operation. You may also visit us on the web at www.NewFeellight.com for any comments or suggestions. For service related issue please contact NewFeel Lighting Professional®.

WARRANTY REGISTRATION

Please complete and mail in the enclosed warranty card or register online: www.NewFeellight.com to validate your purchase. All returned service items whether under warranty or not, must be freight pre-paid and accompany a return authorization (R.A.) number. The R.A. number must be clearly written on the outside of the return package. A brief description of the problem as well as the R.A. number must also be written down on a piece of paper and included in the shipping container. If the unit is under warranty, you must provide a copy of your proof of purchase invoice. Items returned without a R.A. number clearly marked on the outside of the package will be refused and returned at customer's expense. You may obtain a R.A. number by contacting customer support.

IMPORTANT NOTICE!

There are no user serviceable parts inside this unit. Do not attempt any repairs yourself; doing so will void your manufactures warranty. Damages resulting from modifications to this fixture and/or the disregard of safety and general user instructions found in this user manual void the manufactures warranty and are not subject to any warranty claims and/or repairs.

LIMITED WARRANTY

A. NewFeel Lighting Professional® hereby warrants, to the original purchaser, NewFeel Lighting Professional® products to be free of manufacturing defects in material and workmanship for a period of two years (730 days), and NewFeel Lighting Professional® product rechargeable batteries to be free of manufacturing defects in material and workmanship for a period of six months (180 days), from the original date of purchase. This warranty excludes discharge lamps and all product accessories. This warranty shall be valid only if the product is purchased within the United States of America, including possessions and territories. It is the owner's responsibility to establish the date and place of purchase by acceptable evidence, at the time service is sought.

B. For warranty service, send the product only to the NewFeel Lighting Professional® factory. All shipping charges must be pre-paid. If the requested repairs or service (including parts replacement) are within the terms of this warranty, NewFeel Lighting Professional® will pay return shipping charges only to a designated point within the United States. If any product is sent, it must be shipped in its original package and packaging material. No accessories should be shipped with the product. If any accessories are shipped with the product, NewFeel Lighting Professional® shall have no liability what so ever for loss and/or or damage to any such accessories, nor for the safe return thereof.

C. This warranty is void if the product serial number and/or labels are altered or removed; if the product is modified in any manner which NewFeel Lighting Professional® concludes, after inspection, affectsthe reliability of the product; if the product has been repaired or serviced by anyone other than the NewFeel Lighting Professional® factory unless prior written authorization was issued to purchaser by NewFeel Lighting Professional®; if the product is damaged because not properly maintained as set forth in the product instructions, guidelines and/or user manual.

D. This is not a service contract, and this warranty does not include any maintenance, cleaning or periodic check-up. During the periods as specified above, NewFeel Lighting Professional® will replace defective parts at its expense, and will absorb all expenses for warranty service and repair labor by reason of defects in material or workmanship. The sole responsibility of NewFeel Lighting Professional® under this warranty shall be limited to the repair of the product, or replacement thereof, including parts, at the sole discretion of NewFeel Lighting Professional®. All products covered by this warranty were manufactured after January 1, 1990, and bare identifying marks to that effect.

E. NewFeel Lighting Professional® reserves the right to make changes in design and/or performance improvements upon its products without any obligation to include these changes in any products theretofore manufactured.

F. No warranty, whether expressed or implied, is given or made with respect to any accessory supplied with the products described above. Except to the extent prohibited by applicable law, all implied warranties made by NewFeel Lighting Professional® in connection with this product, including warranties of merchantability or fitness, are limited in duration to the warranty periods set forth above. And no warranties, whether expressed or implied, including warranties of merchantability or fitness, shall apply to this product after said periods have expired. The consumer's and/or dealer's sole remedy shall be such repair or replacement as is expressly provided above; and under no circumstances shall NewFeel Lighting Professional® be liable for any loss and/or damage, direct and/or consequential, arising out of the use of, and/or the inability to use, this product.

G. This warranty is the only written warranty applicable to NewFeel Lighting Professional® products andsupersedes all prior warranties and written descriptions of warranty terms and conditions heretofore published.

SAFETY INSTRUCTIONS



This fixture is an extremely sophisticated piece of electronic equipment. To guarantee a smooth operation, it is important to follow the guidelines in this manual. The manufacturer of this device will not accept responsibility for damages resulting from the misuse of this fixture due to the disregard of the information printed in this manual.



This device falls under **PROTECTION CLASS 1**. It's essential this device be grounded properly. Only qualified personnel should perform all electrical connections.



I N D O O R S U S E O N L Y !
DO NOT EXPOSE FIXTURE RAIN AND MOISTURE!



UNPLUG POWER BEFORE SERVICING FIXTURE!
DO NOT PLUG FIXTURE INTO A DIMMER PACK!
NEVER TOUCH FIXTURE DURING OPERATION, AS IT MAY BE HOT!



NEVER LOOK DIRECTLY INTO THE LIGHT SOURCE!
SENSITIVE PERSONS MAY SUFFER AN EPILEPTIC SHOCK!

- For proper operation, follow the **Installation** guidelines described in this manual. Only qualified and certified personnel should perform installation of this fixture and only the original rigging parts (brackets) included with this fixture should be used for installation. Any modifications will void the original manufacturer's warranty and increase the risk of damage and/or personal injury.
- Never look directly into the light source of this fixture to prevent risk of injury to your retina, which may induce blindness. Those suffering from **E P I L E P S Y** should avoid looking directly into the light source of this unit at all times.
- The fan and air inlets must remain clean and never blocked. Allow approx. 6" (15cm) between this fixture and other devices or a wall for proper cooling.
- Always disconnect from main power source before performing any type of service and/or cleaning procedure. Only handle the power cord by the plug end, never pull out the plug by tugging the wire portion of the cord.
- Do not operate this fixture if the power cord has become frayed, crimped and/or damaged. If the power cord is damaged, replace it immediately with a new one of similar power rating.

GENERAL GUIDELINES

- **NEVER OPEN THIS FIXTURE WHILE IN USE!**
- During the initial operation of this fixture, a light smoke or smell may emit from the interior of the fixture. This is a normal process and is caused by excess paint in the interior of the casing burning off from the heat associated with the lamp and will decrease gradually over time.
- This fixture is a professional lighting effect designed for **INDOOR / DRY LOCATIONS ONLY** on stage, in nightclubs, theatres, etc.
- Please make sure there are **NO FLAMMABLE MATERIALS** close to the fixture while operating, to prevent any fire hazard.
- The fixture must be installed in a location with adequate ventilation, at least 1.5 feet (.5m) from adjacent surfaces. Be sure no air ventilation slots are blocked.
- **DO NOT** attempt installation and/or operation without knowledge how to do so.
- **DO NOT** permit operation by persons who are not qualified to operate this type of fixture. Most damages are the result of operations by nonprofessionals.
- Consistent operational breaks may ensure the fixture will function properly for many years to come.
- **DO NOT** shake fixture, avoid brute force when installing and/or operating fixture.
- Always install the fixture with an appropriate safety cable. When installing the fixture in a suspended environment, always use mounting hardware that is no less than M10 x 25 mm, also be sure the hardware is insert in the pre-arranged screw holes in the bracket of the fixture.
- Use the original packaging and materials to transport the fixture in for service.
- **DO NOT TOUCH** the housing bare-hand during its operation. Turn OFF the power and allow approximately 15 minutes for the fixture to cool down before replacing or serving.



LED LIFE

The average LED Life (hours) may vary depending on several factors including but not limited to: Environmental Conditions, Power/Voltage, Usage Patterns (On-Off Cycling), Control and Dimming.

FIXTURE OVERVIEW



- | | |
|---|-----------------------|
| 1: LCD Control Display | 6: Fuse |
| 2: DC Switch | 7: powerCON IN |
| 3: UP, DOWN, LEFT, RIGHT, ENTER Buttons | 8: 3pin, 5pin DMX IN |
| 4: MODE Button | 9: 3pin, 5pin DMX OUT |
| 5: NET IN/OUT (RJ45 Ethernet) | 10: powerCON OUT |

FIXTURE INSTALLATION



FLAMMABLE MATERIAL WARNING

Keep fixture at least 5.0 ft (1.5m) away from any flammable materials, decorations, pyrotechnics, etc.



ELECTRICAL CONNECTIONS

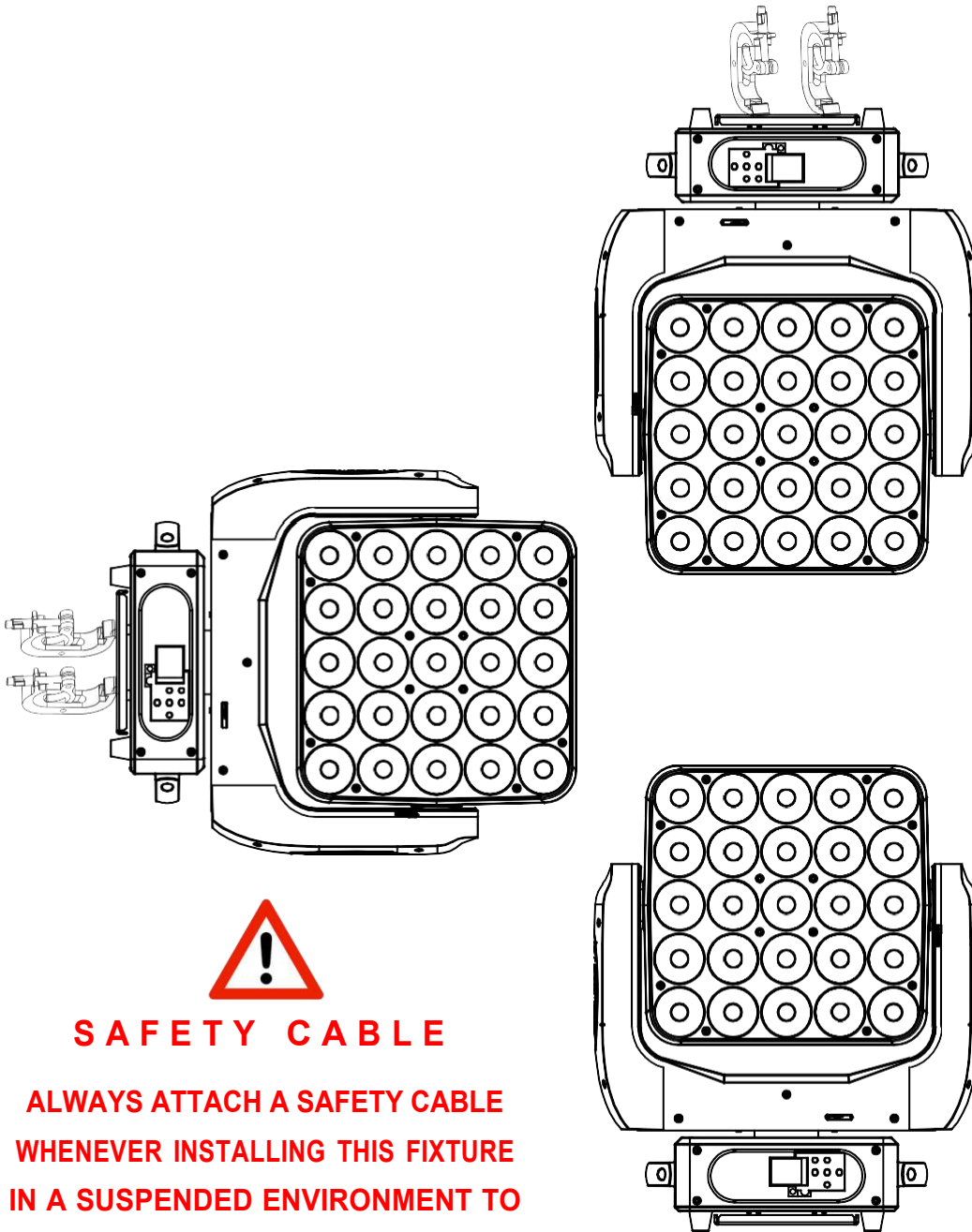
A qualified electrician should be used for all electrical connections and/or installations.

CAUTIONS

- For added protection, mount the fixture in areas outside walking paths, seating areas, or in areas where unauthorized personnel might reach the fixture.
- Ambient operating temperature range for this fixture is **5° to 113°F. (-15° to 45°C)**
Do not use the fixture under or above this temperature.
- Before mounting the fixture to any surface, make sure the installation area can hold a minimum point load of 10 times the weight of the fixture.
- Fixture installation must always be secured with a secondary safety attachment, such as an appropriate safety cable.
- Never stand directly below the device when mounting, removing or servicing.

RIGGING

Overhead rigging requires extensive experience, including amongst others calculating working load limits, installation material being used, and periodic safety inspection of all installation material and the fixture. If you lack these qualifications, do not attempt the installation yourself. Improper installation can result in bodily injury. Fixture is fully operational in the specific mounting positions illustrated below.



SAFETY CABLE

**ALWAYS ATTACH A SAFETY CABLE
WHENEVER INSTALLING THIS FIXTURE
IN A SUSPENDED ENVIRONMENT TO
ENSURE THE FIXTURE WILL NOT DROP
IF THE CLAMP FAILS.**

POWER LINKING

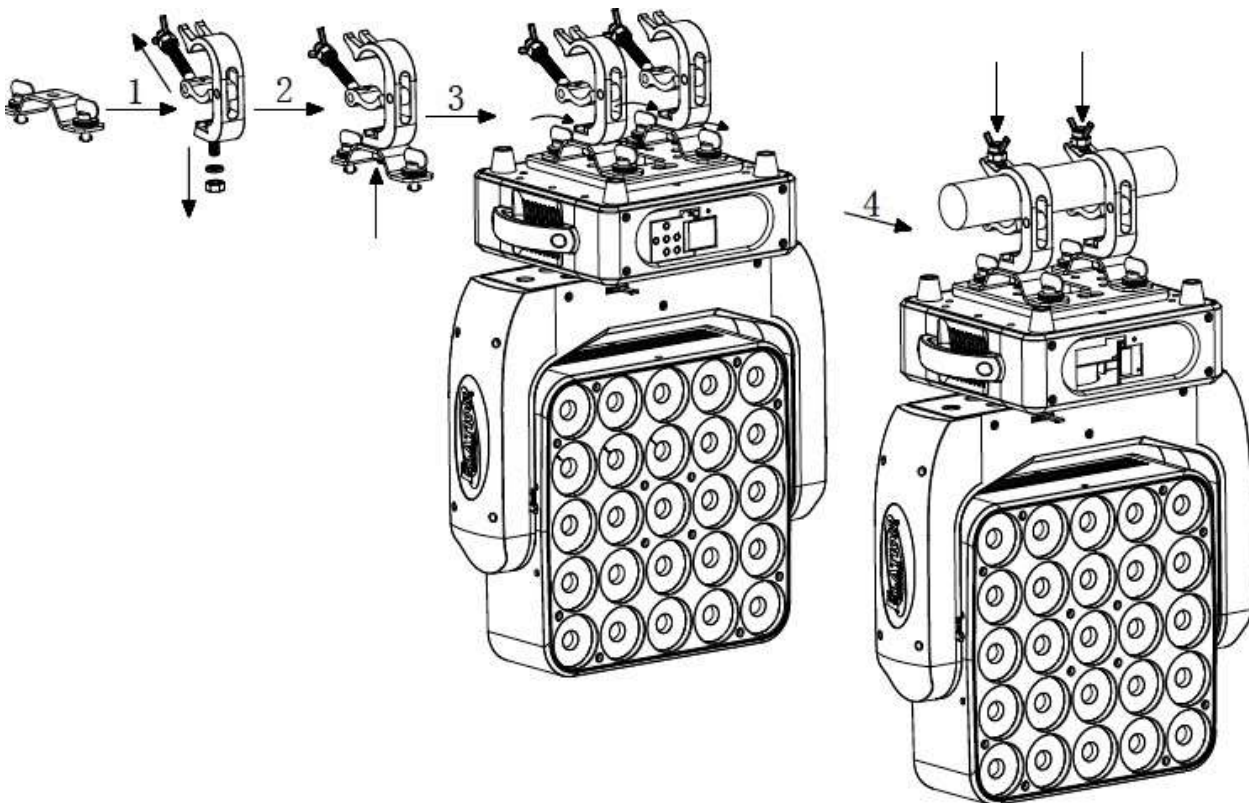
Max number of **ACL 360 MATRIX™** units power linked together:

3 units @120V | 6 units @240V

- **NOTE: USE CAUTION WHEN POWER LINKING OTHER FIXTURES TO ACL 360 MATRIX™ AS THE POWER CONSUMPTION OF OTHER LIGHTING FIXTURES WILL VARY!**

CLAMP MOUNTING

The fixture provides a unique mounting assembly (**2x Omega Brackets**) that integrates the bottom of the base. (See the illustration below). When mounting this fixture to truss be sure to secure an appropriately rated clamp to the included **Omega Brackets** using a M10 screw fitted through the center hole of the **Omega Bracket**. Be sure to attach an appropriate **Safety Cable** (not included) to the fixture using the safety cable rigging point integrated in the base assembly.



ART-NET CONNECTION

When connecting fixture to a network switch to control multiple devices, a **Gigabit Ethernet Switch** that supports **IGMP (Internet Group Management Protocol)** is required. Using a **Gigabit Ethernet Switch** that does not support **IGMP** can cause erratic behavior of all connected devices to the switch.

Click link below for more information about IGMP.


FIXTURE MENU

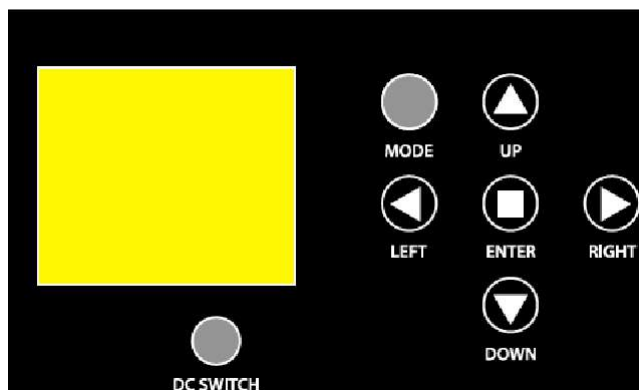
ON-BOARD SYSTEM MENU

The fixture comes with an easy to navigate system menu. The next section will detail the functions of each command in the system menu.

LCD MENU CONTROL PANEL

The control panel (see image below) located on back of the fixture allows you to access the main menu and make all necessary adjustments to the fixture. During normal operation, pressing **MODE** button once will access the fixture's main menu. Once in the main menu you can navigate through the different functions and access the sub-menus with the **UP**, **DOWN**, **RIGHT**, and **LEFT** buttons. Once you reach a field that requires adjusting, press the **ENTER** button to activate that field and use the **UP** and **DOWN** buttons to adjust the field. Pressing the **ENTER** button once more will confirm your setting. You may exit the main menu at any time without making any adjustments by pressing the **MODE/ESC** button.

 **NOTE:** To access the LCD Menu Control Display via the internal battery, press and hold the **DC SWITCH** button for 3 seconds. The LCD Menu Control Display will shut **OFF** automatically about 1 minute from the last button press.



INFORMATION DISPLAYED DURING INITIAL POWER ON

When the fixture is initially powered ON, the display shows the following information:



NewFeel Lighting© ACL 360 MATRIX™ SYSTEM MENU

Specifications and features are subject to change without any prior written notice.

MAIN MENU	SUB MENU	OPTIONS / VALUES (Default Settings in BOLD)		DESCRIPTION	
Receive	Set DMX Address	A001~AXXX		DMX Address Setting	
User Mode	User Mode	Standard , Basic, Extend, User A, User B, User C		Set DMX Channel Mode	
	Edit A	Max. Chan		Edit User Defined Channel Assignments	
	Edit B	:			
	Edit C	Fade Time			
Function	Status	Remote Add	ON/OFF	Address Via DMX	
		NoDMX Mode	Hold / Auto / Blackout	Fucntion If NO DMX Detected	
		Pan Invert	ON/OFF	Pan Reverse Movement	
		TiltInvert	ON/OFF	Tilt Reverse Movement	
		Pan Degree	630/ 540	Pan Degree Select	
		Feedback	ON/OFF	Movement Feedback	
		Move. Spd	Speed 1 ~ 4	Movement Mode Select	
	Fixture ID	Stand By	OFF, 01M~99M, 15M	Stand By Mode	
		ServicePIN	PIN=XXX	Service PIN 050	
		RDM PID	XXXXX	RDM PID Code	
		UnitIPAddr	XXX.XXX.XXX.XXX.	Enter Fixture's IP Address	
	LCD. Set	Universe	000-255	Enter Universe Number	
		Fan. Set	Auto , High, Low		Set Head Fan Speed
		ProtocolSet	ArtNet , Kling-Net		Fans Speed Select
		Net Switch	ON/OFF		Activate NET OUT Port.
		LCD. Set	Backlight	02~60m 05m	LCD Backlight Shut Off Time
			FlipDisplay	ON/OFF	Flip Display 180°
			Key Lock	ON/OFF	Control Buttons Key Lock
			Disp Flash	ON/OFF	Display flashes when NO DMX
		Dim Curve	Standard , Stage, TV, Architectur, Theatre		Set Dimmer Curve Mode
		Temp. C/F	Celsius/Fahrenheit		Temperature Switch Between C° / F°
	Init. Effect	PAN =XXX		Initial Effect Position	
	Disp. Set	Chan. Value	PAN...	Value of each Channel Displayed	
		Slave Set	Slave 1, Slave 2, Slave 3	Set Slave Mode Preset	
Auto.Pro		Alone, Master	Set Auto Program Mode		
DFSE	ON/OFF		Restore Factory Settings		
Information	Time. Info	Current	XXXX (Hours)	Fixture Run Time From Power ON	
		Total Time	XXXX (Hours)	Fixture Total Run Time	
		Last Clear	XXXX (Hours)	Clear Fixture Last Run Time	
		Timer PIN	PIN= 066	Enter PIN to Access Clear Last. Menu	
		Clean Last	ON / OFF	Reset Fixture Last Run Time	
	Temp. Info	Head Temp.	XXX C° / F°	Temperature in Fixture Head	
	Error. Info			Reset Error Message	
	Model. Info	ACL 360 Bar		Display Model Name	
	Software Version	1U01:	≥V1.12	Software Versions	
		2U01:	≥V1.06		
3U01:		≥V1.12			
Error Info	Error Record 1 ~ Error Record 10		Pan....		

**NewFeel Lighting© ACL 360 MATRIX™
SYSTEM MENU**

Specifications and features are subject to change without any prior written notice.

MAIN MENU	SUB MENU	OPTIONS / VALUES (Default Settings in BOLD)		DESCRIPTION	
Test	Reset. M			Reset of Pan/Tilt Motors	
	Test. Chan			Test Functions	
	Panel. Ctrl			Fine Adjustments	
	Calibrate	Password	Password= 050	Calibration of Motors and LEDs	
Program	Select. Pro	Auto Pro Part1 = Program 1~9 (Program 1)		Select Programs To Be Run	
		Auto Pro Part2 = Program 1~9 (Program 2)			
		Auto Pro Part3 = Program 1~9 (Program 3)			
	Edit. Pro	Program 1	Program Test		Testing Program
		:	Step 01=SCxxx		Program In Loop
		Program 9	Step 64=SCxxx		Save and Exit
	Edit. Sce	Scene 001	Pan,Tilt,.....		Save and Automatically Return
		~	--Fade Time--		Manual Scenes Edit
		Scene 250	--Scene Time--		
	Sc. Input	XX~XX	Input By Outside		Stores Scenes via Ext DMX Console
				Automatic Scenes Recorder	

Function - Status - Remote Add

When ON, define the desired DMX address of fixture via an external controller.

1. Connect the fixture to the external controller and power ON.
2. Set the DMX value of **Channel 1** on the controller to **(7)**.
3. Set the DMX value of **Channel 2** on the controller to **(7)** or **(8)**.

When set to **(7)**, the DMX address can be set between **(1)** and **(255)**.

When set to **(8)**, the DMX address can be set between **(256)** and **(511)**.

4. Using **Channel 3** on the controller set the desired DMX address of the fixture.

Example 1:

If the desired DMX address is **57**, set **Channel 1** to a value of **(7)**, set **Channel 2** to a value of **(7)**, and then set **Channel 3** to a value of **(57)**.

Example 2:

If the desired DMX address is **420**, set **Channel 1** to a value of **(7)**, set **Channel 2** to a value of **(8)**, and then set **Channel 3** to a value of **(164)**. (256+164=420)

5. After setting **Channel 3** to the desired DMX address value, wait for approximately 20 seconds for the fixture to complete the address reset function.

Function – Fixture ID - RDM PID

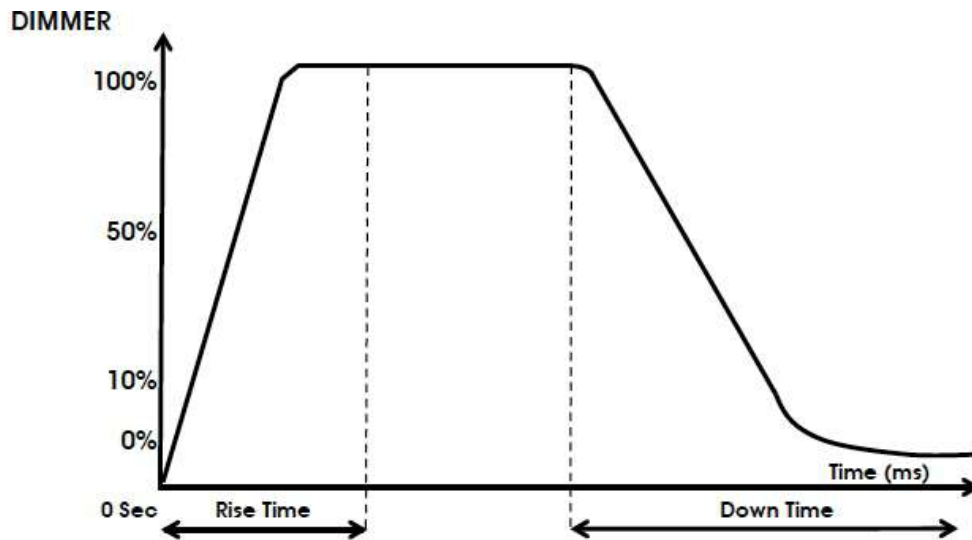
Select various submenus via RDM.

RDM stands for "Remote Device Management", which provides the ability to control the device remotely while connected to a DMX-bus. ANSI E1.20-2006 by ESTA specifies the RDM standard as an extension of the DMX512 protocol. Manual settings like adjusting the DMX starting address are no longer needed. This is especially useful when the device is installed in a remote area.

RDM ready and conventional DMX devices can be operated in one DMX line. The RDM protocol sends its own packages in the DMX512 data feed and does not influence conventional devices. If DMX splitters are used and RDM control is to be used, these splitters must support RDM. The number and type of RDM parameters depend on the RDM controller being used.

Function - Dim Curve

Select desired DIMMER MODE (**Standard**, Stage, TV, Architectural, Theatre).



Dimming Curve Ramp Effect	0 sec Fade Time		1 sec Fade Time	
	Rise Time (ms)	Down Time (ms)	Rise Time (ms)	Down Time (ms)
Standard (default)	0	0	0	0
Stage	780	1100	1540	1660
TV	1180	1520	1860	1940
Architectural	1380	1730	2040	2120
Theatre	1580	1940	2230	2280

Test – Calibrate**ONLY QUALIFIED TECHNICIANS SHOULD PERFORM THIS FUNCTION**

This function allows small adjustments to be made to the effect wheels to compensate for wear or in the event a sensor has been knocked slightly out of place. Because improper use of this function can result in undesired operation this function has been password protected. The password is **050** and must be entered each time the calibration menu function is entered. Because calibration is an extremely delicate procedure, instructions on performing this action are left out of this manual. For a first time calibrator, please contact our customer support team for step-by-step instructions.

DMX CHANNEL FUNCTIONS AND VALUES

NewFeel Lighting© ACL 360 MATRIX™				
DMX Channel Values / Functions Version 2 (115 Total DMX Channels)				
Release Date: 1/21/2016 Supports Software Versions: ≥1.14				
Specifications are subject to change without any prior written notice.				
*Pixel control position depends on the specific Pan/Tilt position of the head.				
MODE / CHANNEL			VALUE	FUNCTION
BASIC	STAND	EXTEND		
1	1	1		PAN MOVEMENT [8 BIT]
			0-255	PAN Movement 630/540
	2	2		PAN FINE MOVEMENT [16 BIT]
			0-255	Fine Control of PAN Movement
2	3	3		TILT MOVEMENT [8 BIT]
			0-255	TILT Movement
	4	4		TILT MOVEMENT [16 BIT]
			0-255	Fine Control of TILT Movement
3	5	5		PAN CONTINUOUS MOVEMENT
			0-127	NO FUNCTION
			128-189	PAN Clockwise from FAST to SLOW
			190-193	NO Rotation
			194-255	PAN Counter-Clockwise from SLOW to FAST
4	6	6		TILT CONTINUOUS MOVEMENT
			0-127	NO FUNCTION
			128-189	TILT Clockwise from FAST to SLOW
			190-193	NO Rotation
			194-255	TILT Counter-Clockwise from SLOW to FAST
5	7			RED (ALL LEDs)
			0-255	0 to 100%
6	8			GREEN (ALL LEDs)
			0-255	0 to 100%
7	9			BLUE (ALL LEDs)
			0-255	0 to 100%
8	10			WHITE (ALL LEDs)
			0-255	BLUE FINE Adjustment
		7		*RED - LED 1
			0-255	0 to 100%
		8		*GREEN - LED 1
			0-255	0 to 100%
		9		*BLUE - LED 1
			0-255	0 to 100%
		10		*WHITE - LED 1
			0-255	0 to 100%

MODE / CHANNEL			VALUE	FUNCTION
BASIC	STAND	EXTEND		
		11		*RED - LED 2
			0-255	0 to 100%
		12		*GREEN - LED 2
			0-255	0 to 100%
		13		*BLUE - LED 2
			0-255	0 to 100%
		14		*WHITE - LED 2
			0-255	0 to 100%
		15		*RED - LED 3
			0-255	0 to 100%
		16		*GREEN - LED 3
			0-255	0 to 100%
		17		*BLUE - LED 3
			0-255	0 to 100%
		18		*WHITE - LED 3
			0-255	0 to 100%
		19		*RED - LED 4
			0-255	0 to 100%
		20		*GREEN - LED 4
			0-255	0 to 100%
		21		*BLUE - LED 4
			0-255	0 to 100%
		22		*WHITE - LED 4
			0-255	0 to 100%
		23		*RED - LED 5
			0-255	0 to 100%
		24		*GREEN - LED 5
			0-255	0 to 100%
		25		*BLUE - LED 5
			0-255	0 to 100%
		26		*WHITE - LED 5
			0-255	0 to 100%
		27		*RED - LED 6
			0-255	0 to 100%
		28		*GREEN - LED 6
			0-255	0 to 100%
		29		*BLUE - LED 6
			0-255	0 to 100%
		30		*WHITE - LED 6
			0-255	0 to 100%

MODE / CHANNEL			VALUE	FUNCTION
BASIC	STAND	EXTEND		
		31		*RED - LED 7
			0-255	0 to 100%
		32		*GREEN - LED 7
			0-255	0 to 100%
		33		*BLUE - LED 7
			0-255	0 to 100%
		34		*WHITE - LED 7
			0-255	0 to 100%
		35		*RED - LED 8
			0-255	0 to 100%
		36		*GREEN - LED 8
			0-255	0 to 100%
		37		*BLUE - LED 8
			0-255	0 to 100%
		38		*WHITE - LED 8
			0-255	0 to 100%
		39		*RED - LED 9
			0-255	0 to 100%
		40		*GREEN - LED 9
			0-255	0 to 100%
		41		*BLUE - LED 9
			0-255	0 to 100%
		42		*WHITE - LED 9
			0-255	0 to 100%
		43		*RED - LED 10
			0-255	0 to 100%
		44		*GREEN - LED 10
			0-255	0 to 100%
		45		*BLUE - LED 10
			0-255	0 to 100%
		46		*WHITE - LED 10
			0-255	0 to 100%
		47		*RED - LED 11
			0-255	0 to 100%
		48		*GREEN - LED 11
			0-255	0 to 100%
		49		*BLUE - LED 11
			0-255	0 to 100%
		50		*WHITE - LED 11
			0-255	0 to 100%

MODE / CHANNEL			VALUE	FUNCTION
BASIC	STAND	EXTEND		
		51		*RED - LED 12
			0-255	0 to 100%
		52		*GREEN - LED 12
			0-255	0 to 100%
		53		*BLUE - LED 12
			0-255	0 to 100%
		54		*WHITE - LED 12
			0-255	0 to 100%
		55		*RED - LED 13
			0-255	0 to 100%
		56		*GREEN - LED 13
			0-255	0 to 100%
		57		*BLUE - LED 13
			0-255	0 to 100%
		58		*WHITE - LED 13
			0-255	0 to 100%
		59		*RED - LED 14
			0-255	0 to 100%
		60		*GREEN - LED 14
			0-255	0 to 100%
		61		*BLUE - LED 14
			0-255	0 to 100%
		62		*WHITE - LED 14
			0-255	0 to 100%
		63		*RED - LED 15
			0-255	0 to 100%
		64		*GREEN - LED 15
			0-255	0 to 100%
		65		*BLUE - LED 15
			0-255	0 to 100%
		66		*WHITE - LED 15
			0-255	0 to 100%
		67		*RED - LED 16
			0-255	0 to 100%
		68		*GREEN - LED 16
			0-255	0 to 100%
		69		*BLUE - LED 16
			0-255	0 to 100%
		70		*WHITE - LED 16
			0-255	0 to 100%

MODE / CHANNEL			VALUE	FUNCTION
BASIC	STAND	EXTEND		
		71		*RED - LED 17
			0-255	0 to 100%
		72		*GREEN - LED 17
			0-255	0 to 100%
		73		*BLUE - LED 17
			0-255	0 to 100%
		74		*WHITE - LED 17
			0-255	0 to 100%
		75		*RED - LED 18
			0-255	0 to 100%
		76		*GREEN - LED 18
			0-255	0 to 100%
		77		*BLUE - LED 18
			0-255	0 to 100%
		78		*WHITE - LED 18
			0-255	0 to 100%
		79		*RED - LED 19
			0-255	0 to 100%
		80		*GREEN - LED 19
			0-255	0 to 100%
		81		*BLUE - LED 19
			0-255	0 to 100%
		82		*WHITE - LED 19
			0-255	0 to 100%
		83		*RED - LED 20
			0-255	0 to 100%
		84		*GREEN - LED 20
			0-255	0 to 100%
		85		*BLUE - LED 20
			0-255	0 to 100%
		86		*WHITE - LED 20
			0-255	0 to 100%
		87		*RED - LED 21
			0-255	0 to 100%
		88		*GREEN - LED 21
			0-255	0 to 100%
		89		*BLUE - LED 21
			0-255	0 to 100%
		90		*WHITE - LED 21
			0-255	0 to 100%

MODE / CHANNEL			VALUE	FUNCTION
BASIC	STAND	EXTEND		
		91		*RED - LED 2
			0-255	0 to 100%
		92		*GREEN - LED 22
			0-255	0 to 100%
		93		*BLUE - LED 22
			0-255	0 to 100%
		94		*WHITE - LED 22
			0-255	0 to 100%
		95		*RED - LED 23
			0-255	0 to 100%
		96		*GREEN - LED 23
			0-255	0 to 100%
		97		*BLUE - LED 23
			0-255	0 to 100%
		98		*WHITE - LED 23
			0-255	0 to 100%
		99		*RED - LED 24
			0-255	0 to 100%
		100		*GREEN - LED 24
			0-255	0 to 100%
		101		*BLUE - LED 24
			0-255	0 to 100%
		102		*WHITE - LED 24
			0-255	0 to 100%
		103		*RED - LED 25
			0-255	0 to 100%
		104		*GREEN - LED 25
			0-255	0 to 100%
		105		*BLUE - LED 25
			0-255	0 to 100%
		106		*WHITE - LED 25
			0-255	0 to 100%

MODE / CHANNEL			VALUE	FUNCTION
BASIC	STAND	EXTEND		
9	11	107		COLOR MACROS
			0	OFF
			1-4	COLOR MACRO 01
			5-8	COLOR MACRO 02
			9-12	COLOR MACRO 03
			13-16	COLOR MACRO 04
			17-20	COLOR MACRO 05
			21-24	COLOR MACRO 06
			25-28	COLOR MACRO 07
			29-32	COLOR MACRO 08
			33-36	COLOR MACRO 09
			37-40	COLOR MACRO 10
			41-44	COLOR MACRO 11
			45-48	COLOR MACRO 12
			49-52	COLOR MACRO 13
			53-56	COLOR MACRO 14
			57-60	COLOR MACRO 15
			61-64	COLOR MACRO 16
			65-68	COLOR MACRO 17
			69-72	COLOR MACRO 18
			73-76	COLOR MACRO 19
			77-80	COLOR MACRO 20
			81-84	COLOR MACRO 21
			85-88	COLOR MACRO 22
			89-92	COLOR MACRO 23
			93-96	COLOR MACRO 24
			97-100	COLOR MACRO 25
			101-104	COLOR MACRO 26
			105-108	COLOR MACRO 27
			109-112	COLOR MACRO 28
			113-116	COLOR MACRO 29
			117-120	COLOR MACRO 30
121-124	COLOR MACRO 31			
125-128	COLOR MACRO 32			

MODE / CHANNEL			VALUE	FUNCTION
BASIC	STAND	EXTEND		
9	11	107		COLOR MACROS [continued]
			129-132	COLOR MACRO 33
			133-136	COLOR MACRO 34
			137-140	COLOR MACRO 35
			141-144	COLOR MACRO 36
			145-148	COLOR MACRO 37
			149-152	COLOR MACRO 38
			153-156	COLOR MACRO 39
			157-160	COLOR MACRO 40
			161-164	COLOR MACRO 41
			165-168	COLOR MACRO 42
			169-172	COLOR MACRO 43
			173-176	COLOR MACRO 44
			177-180	COLOR MACRO 45
			181-184	COLOR MACRO 46
			185-188	COLOR MACRO 47
			189-192	COLOR MACRO 48
			193-196	COLOR MACRO 49
			197-200	COLOR MACRO 50
			201-204	COLOR MACRO 51
			205-208	COLOR MACRO 52
			209-212	COLOR MACRO 53
			213-216	COLOR MACRO 54
			217-220	COLOR MACRO 55
			221-224	COLOR MACRO 56
			225-228	COLOR MACRO 57
			229-232	COLOR MACRO 58
			233-236	COLOR MACRO 59
			237-240	COLOR MACRO 60
			241-244	COLOR MACRO 61
			245-248	COLOR MACRO 62
			249-252	COLOR MACRO 63
253-255	COLOR MACRO 64			

MODE / CHANNEL			VALUE	FUNCTION
BASIC	STAND	EXTEND		
10	12	108		SHUTTER / STROBE
			0-31	LEDs OFF
			32-63	LEDs ON
			64-95	Strobe Effect SLOW to FAST
			96-127	LEDs ON
			128-159	Pulse Effect in Sequences
			160-191	LEDs ON
			192-223	Random Strobe Effect SLOW to FAST
			224-255	LEDs ON
11	13	109		DIMMER INTENSITY
			0-255	Intensity 0 to 100%
12	14	110		DIMMER INTENSITY FINE
			0-255	Dimmer Intensity FINE Adjustment
13	15	111		AUTO PROGRAM MACROS
			0	NO FUNCTION
			1-10	Single Array Sequence #1
			11-20	Single Array Sequence #2
			21-30	Single LED to Full Grid ON Array from Each Corner Sequence
			31-40	Staggered Array Sequence
			41-50	Single LED to Full Grid Array ON to Full Grid Array ON to Single LED OFF Sequence
			51-60	5 LED Array to Full Grid ON to Opposite Orientation 5 LED Array to Full Grid ON Sequence
			61-70	Burst Array from Center LED Sequence
			71-80	9 LED Array Rotation Sequence
			81-90	Single LED Chase Sequence #1
			91-100	Single LED Chase Sequence #2
			101-110	Swirl Pattern Array Sequence
			111-120	5 LED Array Breakup Sequence
			121-130	Random LED Sequence
			131-140	Single LED Snake Chase Sequence
			141-150	Wave Pattern Array Sequence
			151-160	5 LED Array to Opposite Orientation 5 LED Array Transition Sequence
			161-170	Clockwise Rotation Array Pattern Sequence
			171-180	Criss Cross Array Sequence
			181-190	Dual LED Snake Chase Sequence
			191-200	Downward Arrow Array Sequence
			201-210	4 LED Chase Sequence
			211-220	15 LED Array Transition to Opposite Orientation 15 LED Array Sequence
			221-230	Numbers 0-9
231-240	Upper Case Alphabet Sequence			
241-250	Lower Case Alphabet Sequence			
251-255	All LEDs ON Gradient Effect			
14	16	112		AUTO PROGRAM MACRO SPEED
			0-255	Auto Program Macro Speed SLOW to FAST

MODE / CHANNEL			VALUE	FUNCTION
BASIC	STAND	EXTEND		
15	17	113		DIMMING CURVE MODES
			0-20	STANDARD
			21-40	STAGE
			41-60	TV
			61-80	ARCHITECTURAL
			81-100	THEATRE
			101-255	Default to Unit Setting
16	18	114		PAN / TILT MOVEMENT SPEED
			0-225	MAX to MIN SPEED
			226-235	Blackout By Movement
			236-255	NO FUNCTION
17	19	115		LAMP ON/OFF, RESET, INTERNAL PROGRAMS
			0-79	Normal
			80-84	ALL Motor Reset
			85-99	NO FUNCTION
			100-119	Internal Program 1 (scene1~8 of EEPROM)
			120-139	Internal Program 2 (scene9~16 of EEPROM)
			140-159	Internal Program 3 (scene17~24 of EEPROM)
			160-179	Internal Program 4 (scene25~32 of EEPROM)
			180-199	Internal Program 5 (scene33~40 of EEPROM)
			200-219	Internal Program 6 (scene41~48 of EEPROM)
			220-239	Internal Program 7 (scene49~56 of EEPROM)
240-255	NO FUNCTION			

NewFeel Lighting© ACL 360 MATRIX™				
DMX Channel Values / Functions Version 2 (116 Total DMX Channels)				
Release Date: 1/21/2016 Supports Software Versions: ≥1.14				
Specifications are subject to change without any prior written notice.				
*Pixel control position depends on the specific Pan/Tilt position of the head.				
MODE / CHANNEL			VALUE	FUNCTION
USER A	USER B	USER C		
1	1	1		PAN MOVEMENT [8 BIT]
			0-255	PAN Movement 630/540
2		2		PAN FINE MOVEMENT [16 BIT]
			0-255	Fine Control of PAN Movement
3	2	3		TILT MOVEMENT [8 BIT]
			0-255	TILT Movement
4		4		TILT MOVEMENT [16 BIT]
			0-255	Fine Control of TILT Movement
5	3	5		SPEED PAN/TILT MOVEMENT
			0-225	MAX to MIN SPEED
			226-235	BLACKOUT by Movement
			236-255	NO FUNCTION
6	4	6		PAN CONTINUOUS MOVEMENT
			0-127	NO FUNCTION
			128-189	Forwards PAN Rotation from FAST to SLOW
			190-193	NO Rotation
			194-255	Backwards PAN Rotation from SLOW to FAST
7	5	7		TILT CONTINUOUS MOVEMENT
			0-127	NO FUNCTION
			128-189	Forward TILT Rotation from FAST to SLOW
			190-193	NO Rotation
			194-255	Backwards TILT Rotation from SLOW to FAST
8	6			RED (ALL LEDs)
			0-255	0 to 100%
9	7			GREEN (ALL LEDs)
			0-255	0 to 100%
10	8			BLUE (ALL LEDs)
			0-255	0 to 100%
11	9			WHITE (ALL LEDs)
			0-255	BLUE FINE Adjustment
		17		*RED - LED 1
			0-255	0 to 100%
		18		*GREEN - LED 1
			0-255	0 to 100%
		19		*BLUE - LED 1
			0-255	0 to 100%
		20		*WHITE - LED 1
			0-255	0 to 100%

MODE / CHANNEL			VALUE	FUNCTION
USER A	USER B	USER C		
		21		*RED - LED 2
			0-255	0 to 100%
		22		*GREEN - LED 2
			0-255	0 to 100%
		23		*BLUE - LED 2
			0-255	0 to 100%
		24		*WHITE - LED 2
			0-255	0 to 100%
		25		*RED - LED 3
			0-255	0 to 100%
		26		*GREEN - LED 3
			0-255	0 to 100%
		27		*BLUE - LED 3
			0-255	0 to 100%
		28		*WHITE - LED 3
			0-255	0 to 100%
		29		*RED - LED 4
			0-255	0 to 100%
		30		*GREEN - LED 4
			0-255	0 to 100%
		31		*BLUE - LED 4
			0-255	0 to 100%
		32		*WHITE - LED 4
			0-255	0 to 100%
		33		*RED - LED 5
			0-255	0 to 100%
		34		*GREEN - LED 5
			0-255	0 to 100%
		35		*BLUE - LED 5
			0-255	0 to 100%
		36		*WHITE - LED 5
			0-255	0 to 100%
		37		*RED - LED 6
			0-255	0 to 100%
		38		*GREEN - LED 6
			0-255	0 to 100%
		39		*BLUE - LED 6
			0-255	0 to 100%
		40		*WHITE - LED 6
			0-255	0 to 100%

MODE / CHANNEL			VALUE	FUNCTION
USER A	USER B	USER C		
		41		*RED - LED 7
			0-255	0 to 100%
		42		*GREEN - LED 7
			0-255	0 to 100%
		43		*BLUE - LED 7
			0-255	0 to 100%
		44		*WHITE - LED 7
			0-255	0 to 100%
		45		*RED - LED 8
			0-255	0 to 100%
		46		*GREEN - LED 8
			0-255	0 to 100%
		47		*BLUE - LED 8
			0-255	0 to 100%
		48		*WHITE - LED 8
			0-255	0 to 100%
		49		*RED - LED 9
			0-255	0 to 100%
		50		*GREEN - LED 9
			0-255	0 to 100%
		51		*BLUE - LED 9
			0-255	0 to 100%
		52		*WHITE - LED 9
			0-255	0 to 100%
		53		*RED - LED 10
			0-255	0 to 100%
		54		*GREEN - LED 10
			0-255	0 to 100%
		55		*BLUE - LED 10
			0-255	0 to 100%
		56		*WHITE - LED 10
			0-255	0 to 100%
		57		*RED - LED 11
			0-255	0 to 100%
		58		*GREEN - LED 11
			0-255	0 to 100%
		59		*BLUE - LED 11
			0-255	0 to 100%
		60		*WHITE - LED 11
			0-255	0 to 100%

MODE / CHANNEL			VALUE	FUNCTION
USER A	USER B	USER C		
		61		*RED - LED 12
			0-255	0 to 100%
		62		*GREEN - LED 12
			0-255	0 to 100%
		63		*BLUE - LED 12
			0-255	0 to 100%
		64		*WHITE - LED 12
			0-255	0 to 100%
		65		*RED - LED 13
			0-255	0 to 100%
		66		*GREEN - LED 13
			0-255	0 to 100%
		67		*BLUE - LED 13
			0-255	0 to 100%
		68		*WHITE - LED 13
			0-255	0 to 100%
		69		*RED - LED 14
			0-255	0 to 100%
		70		*GREEN - LED 14
			0-255	0 to 100%
		71		*BLUE - LED 14
			0-255	0 to 100%
		72		*WHITE - LED 14
			0-255	0 to 100%
		73		*RED - LED 15
			0-255	0 to 100%
		74		*GREEN - LED 15
			0-255	0 to 100%
		75		*BLUE - LED 15
			0-255	0 to 100%
		76		*WHITE - LED 15
			0-255	0 to 100%
		77		*RED - LED 16
			0-255	0 to 100%
		78		*GREEN - LED 16
			0-255	0 to 100%
		79		*BLUE - LED 16
			0-255	0 to 100%
		80		*WHITE - LED 16
			0-255	0 to 100%

MODE / CHANNEL			VALUE	FUNCTION
USER A	USER B	USER C		
		81		*RED - LED 17
			0-255	0 to 100%
		82		*GREEN - LED 17
			0-255	0 to 100%
		83		*BLUE - LED 17
			0-255	0 to 100%
		84		*WHITE - LED 17
			0-255	0 to 100%
		85		*RED - LED 18
			0-255	0 to 100%
		86		*GREEN - LED 18
			0-255	0 to 100%
		87		*BLUE - LED 18
			0-255	0 to 100%
		88		*WHITE - LED 18
			0-255	0 to 100%
		89		*RED - LED 19
			0-255	0 to 100%
		90		*GREEN - LED 19
			0-255	0 to 100%
		91		*BLUE - LED 19
			0-255	0 to 100%
		92		*WHITE - LED 19
			0-255	0 to 100%
		93		*RED - LED 20
			0-255	0 to 100%
		94		*GREEN - LED 20
			0-255	0 to 100%
		95		*BLUE - LED 20
			0-255	0 to 100%
		96		*WHITE - LED 20
			0-255	0 to 100%
		97		*RED - LED 21
			0-255	0 to 100%
		98		*GREEN - LED 21
			0-255	0 to 100%
		99		*BLUE - LED 21
			0-255	0 to 100%
		100		*WHITE - LED 21
			0-255	0 to 100%

MODE / CHANNEL			VALUE	FUNCTION
USER A	USER B	USER C		
		101		*RED - LED 22
			0-255	0 to 100%
		102		*GREEN - LED 22
			0-255	0 to 100%
		103		*BLUE - LED 22
			0-255	0 to 100%
		104		*WHITE - LED 22
			0-255	0 to 100%
		105		*RED - LED 23
			0-255	0 to 100%
		106		*GREEN - LED 23
			0-255	0 to 100%
		107		*BLUE - LED 23
			0-255	0 to 100%
		108		*WHITE - LED 23
			0-255	0 to 100%
		109		*RED - LED 24
			0-255	0 to 100%
		110		*GREEN - LED 24
			0-255	0 to 100%
		111		*BLUE - LED 24
			0-255	0 to 100%
		112		*WHITE - LED 24
			0-255	0 to 100%
		113		*RED - LED 25
			0-255	0 to 100%
		114		*GREEN - LED 25
			0-255	0 to 100%
		115		*BLUE - LED 25
			0-255	0 to 100%
		116		*WHITE - LED 25
			0-255	0 to 100%
12	10	8		SHUTTER / STROBE
			0-31	LEDs OFF
			32-63	LEDs ON
			64-95	Strobe Effect SLOW to FAST
			96-127	LEDs ON
			128-159	Pulse Effect in Sequences
			160-191	LEDs ON
			192-223	Random Strobe Effect SLOW to FAST
224-255	LEDs ON			
13	11	9		DIMMER INTENSITY
			0-255	Intensity 0 to 100%

MODE / CHANNEL			VALUE	FUNCTION
USER A	USER B	USER C		
14	12	10		COLOR MACROS
			0-7	NO FUNCTION
			Aug-39	RED to YELLOW
			40-71	YELLOW to GREEN
			72-103	GREEN to CYAN
			104-135	CYAN to BLUE
			136-167	BLUE to MAGENTA
			168-199	MAGENTA to RED
			200-231	RED to WHITE
			232-255	Crossfading Colors from SLOW to FAST
15	13	11		COLOR PRESETS
			0-4	NO FUNCTION
			5-9	WHITE 2,700K
			10-14	WHITE 3,200K
			15-19	WHITE 4,200K
			20-24	WHITE 5,600K
			25-29	WHITE 6,500K
			30-34	WHITE 8,000K
			35-39	YELLOW
			40-44	MAGENTA
			45-49	CYAN
			50-54	SALMON
			55-59	TURQUOISE
			60-64	LIGHT GREEN
			65-69	STEEL BLUE
			70-74	ORANGE
			75-79	STRAW
			80-84	PALE LAVENDER
			85-89	PINK
			90-94	RED
			95-99	GREEN
			100-104	BLUE
			105-109	WHITE
			110-114	RAINBOW 1
115-119	RAINBOW 2			
120-124	RAINBOW 3			
125-255	RESERVED			
19	17	15		COLOR PRESETS DIMMER
			0-255	Intensity 100% to 0%

MODE / CHANNEL			VALUE	FUNCTION
USER A	USER B	USER C		
16	14	12		CHASE MACROS - NOTE: Color Must Be Selected To Engage Macros.
			0-9	LEDs OFF
			10-11	CHASE 01
			12-13	CHASE 02
			14-15	CHASE 03
			16-17	CHASE 04
			18-19	CHASE 05
			20-21	CHASE 06
			22-23	CHASE 07
			24-25	CHASE 08
			26-27	CHASE 09
			28-29	CHASE 10
			30-31	CHASE 11
			32-33	CHASE 12
			34-35	CHASE 13
			36-37	CHASE 14
			38-39	CHASE 15
			40-41	CHASE 16
			42-43	CHASE 17
			44-45	CHASE 18
			46-47	CHASE 19
			48-49	CHASE 20
			50-51	CHASE 21
			52-53	CHASE 22
			54-55	CHASE 23
			56-57	CHASE 24
			58-59	CHASE 25
			60-61	CHASE 26
			62-63	CHASE 27
			64-65	CHASE 28
			66-67	CHASE 29
			68-69	CHASE 30
			70-71	CHASE 31
			72-73	CHASE 32
			74-75	CHASE 33
			76-77	CHASE 34
			78-79	CHASE 35
			80-81	CHASE 36
			82-83	CHASE 37
			84-85	CHASE 38
			86-87	CHASE 39
			88-89	CHASE 40
			90-91	CHASE 41
			92-93	CHASE 42
			94-95	CHASE 43
96-97	CHASE 44			
98-99	CHASE 45			

MODE / CHANNEL			VALUE	FUNCTION
USER A	USER B	USER C		
16	14	12		CHASE MACROS - NOTE: Color Must Be Selected To Engage Macros.
			100-101	CHASE 46
			102-103	CHASE 47
			104-105	CHASE 48
			106-107	CHASE 49
			108-109	CHASE 50
			110-111	CHASE 51
			112-113	CHASE 52
			114-115	CHASE 53
			116-117	CHASE 54
			118-119	CHASE 55
			120-121	CHASE 56
			122-123	CHASE 57
			124-125	CHASE 58
			126-127	CHASE 59
			128-129	CHASE 60
			130-131	CHASE 61
			132-133	CHASE 62
			134-135	CHASE 63
			136-137	CHASE 64
			138-139	CHASE 65
			140-141	CHASE 66
			142-143	CHASE 67
			144-145	CHASE 68
			146-147	CHASE 69
			148-149	CHASE 70
			150-151	CHASE 71
			152-153	CHASE 72
			154-155	CHASE 73
			156-157	CHASE 74
			158-159	CHASE 75
			160-161	CHASE 76
			162-163	CHASE 77
			164-165	CHASE 78
			166-167	CHASE 79
			168-169	CHASE 80
			170-171	CHASE 81
			172-173	CHASE 82
			174-175	CHASE 83
			176-177	CHASE 84
178-179	CHASE 85			
180-181	CHASE 86			
182-183	CHASE 87			
184-185	CHASE 88			
186-187	CHASE 89			
188-189	CHASE 90			

MODE / CHANNEL			VALUE	FUNCTION
USER A	USER B	USER C		
16	14	12		CHASE MACROS - NOTE: Color Must Be Selected To Engage Macros.
			190-191	CHASE 91
			192-193	CHASE 92
			194-195	CHASE 93
			196-197	CHASE 94
			198-199	CHASE 95
			200-201	CHASE 96
			202-203	CHASE 97
			204-205	CHASE 98
			206-207	CHASE 99
			208-209	CHASE 100
			210-211	CHASE 101
			212-213	CHASE 102
			214-215	CHASE 103
			216-217	CHASE 104
			218-219	CHASE 105
			220-221	CHASE 106
			222-223	CHASE 107
			224-225	CHASE 108
			226-227	CHASE 109
			228-229	CHASE 110
			230-231	CHASE 111
			232-233	CHASE 112
			234-235	CHASE 113
236-255	RESERVED			
17	15	13		CHASE SPEED
			0-125	FAST to SLOW
			126-130	STOP (SPEED = 0)
			131-255	SLOW to FAST
18	16	14		CHASE FADE
			0-255	Fade Chase
20	18	16		RESET, INTERNAL PROGRAMS
			0-79	Normal
			80-84	ALL Motor Reset
			85-87	Scan Motor Reset
			88-90	NO FUNCTION
			91-93	NO FUNCTION
			94-96	NO FUNCTION
			97-99	NO FUNCTION
			100-119	Internal Program 1 (scene1~8 of EEPROM)
			120-139	Internal Program 2 (scene9~16 of EEPROM)
			140-159	Internal Program 3 (scene17~24 of EEPROM)
			160-179	Internal Program 4 (scene25~32 of EEPROM)
			180-199	Internal Program 5 (scene33~40 of EEPROM)
			200-219	Internal Program 6 (scene41~48 of EEPROM)
			220-239	Internal Program 7 (scene49~56 of EEPROM)
			240-255	NO FUNCTION

ERROR CODES

When power is applied, the unit will automatically enter a “**Motor Reset**” mode, which brings all the internal motors to a home position. If there is an internal problem with one or more of the motors, an error code (see below) will flash on the control display.

NewFeel Lighting© ACL 360 MATRIX™ ERROR CODES	
Specifications and features are subject to change without any prior written notice.	
ERROR CODE	DESCRIPTION
TILT Er	The TILT movement is not located in the default position after the reset. This message will appear after a fixture reset if the magnetic-indexing circuit malfunctions (sensor failed or magnet is missing) or there is a motor failure (defective motor or defective motor IC drive on main PCB). This error may also be displayed if the head was blocked during a reset function
PAN Er	The PAN movement is not located in the default position after the reset. This message will appear after a fixture reset if the magnetic-indexing circuit malfunctions (sensor failed or magnet is missing) or there is a motor failure (defective motor or a defective motor IC drive on the main PCB). This error may also be displayed if the head/yoke was blocked during a reset function.

CLEANING AND MAINTENANCE



C A U T I O N

Disconnect power before cleaning or maintenance.

CLEANING

Frequent cleaning is recommended to insure proper function, optimized light output, and an extended life. The frequency of cleaning depends on the environment in which the fixture operates: damp, smoky or particularly dirty environments can cause greater accumulation of dirt on the fixture's optics.

- Clean the external lens surface at least every 20 days with a soft cloth to avoid dirt/debris accumulation.
- Never use alcohol, solvents, or ammonia based cleaners.

MAINTENANCE

Regular inspections are recommended to insure proper function and extended life. There are no user serviceable parts inside this fixture, please refer all other service issues to an authorized NewFeel Lighting service technician. Should you need any spare parts, please order genuine parts from your local NewFeel Lighting dealer.

Please refer to the following points during routine inspections:

- A detailed electric check by an approved electrical engineer every three months, to make sure the circuit contacts are in good condition and prevent overheating.
- Be sure all screws and fasteners are securely tightened at all times. Loose screws may fall out during normal operation resulting in damage or injury as larger parts could fall.
- Check for any deformations on the housing, color lenses, rigging hardware and rigging points (ceiling, suspension, trussing). Deformations in the housing could allow for dust to enter into the fixture. Damaged rigging points or unsecured rigging could cause the fixture to fall and seriously injure a person(s).
- Electric power supply cables must not show any damage, material fatigue or sediments. Never remove the ground prong from the power cable.

TECHNICAL SPECIFICATIONS

SOURCE

(25) 15W RGBW 4-in-1 LEDs

100,000 Hour Average LED Life*

*May vary depending on several factors including but not limited to:
Environmental Conditions, Power/Voltage, Usage Patterns (On-Off Cycling), Control, and Dimming.

EFFECTS

Individual Pixel Control

Strobe and Selectable Dimming Curves

COLOR

RGBW

CONTROL / CONNECTIONS

(6) DMX Channel Modes (17 / 19 / 115) (20 / 18 / 116)

RDM (Remote Device Management)

6 Button Touch Control Panel

Full Color 180° Reversible LCD Menu Display

8 / 16 Bit Resolution Adjustable Movement

3pin/5pin DMX In/Out

RJ45 Ethernet In/Out (KlingNET™ / Art-NET)

powerCON Power In/Out

SIZE / WEIGHT

Length: 19.0" (481mm)

Width: 13.8" (350mm)

Vertical Height: 23.0" (583mm)

Weight: 45.0 lbs. (20.4 kg)

ELECTRICAL / THERMAL

AC 100-240V - 50/60Hz

425W Max Power Consumption

5F to 113°F (-15°C to 45°C)

APPROVALS / RATINGS

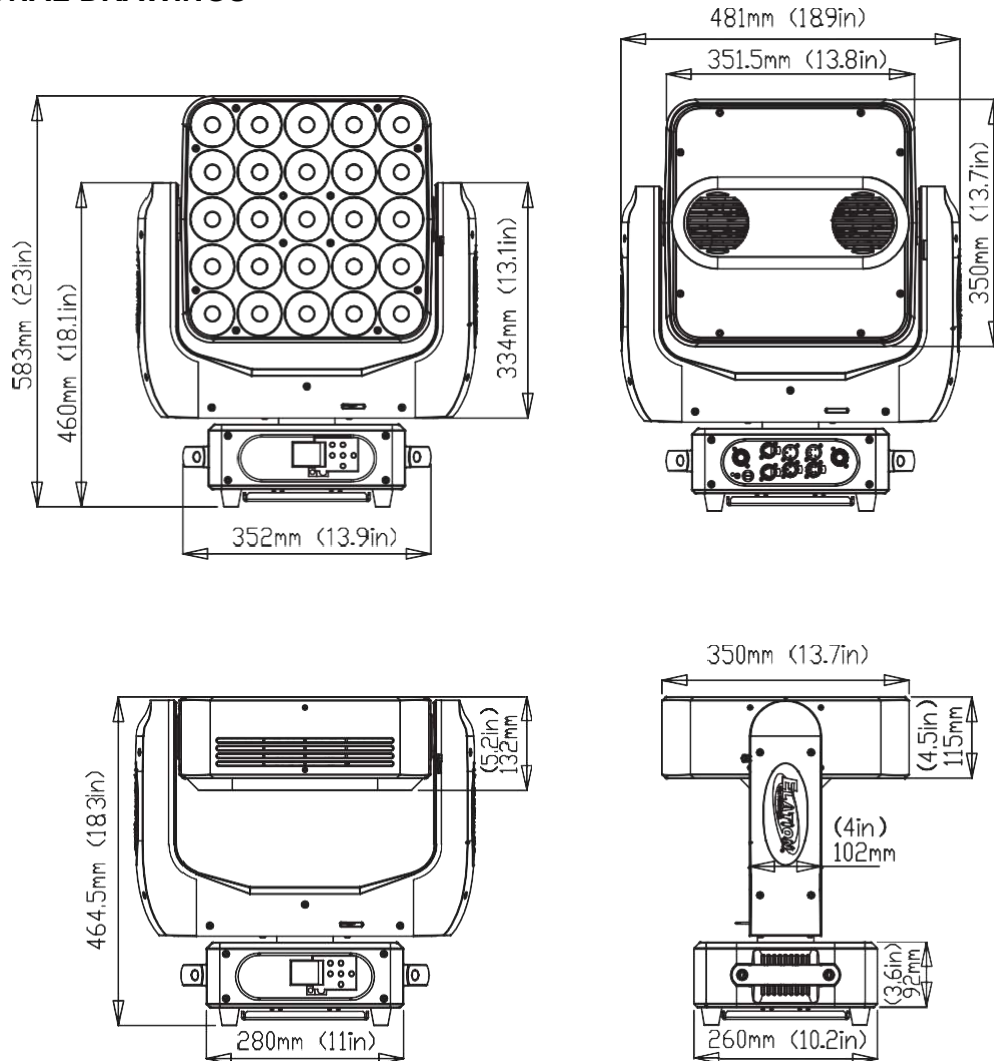
Please Note: Specifications and improvements in the design of this unit and this manual are subject to change without any prior written notice.

PHOTOMETRIC DATA

	1 m	3.3 ft	2 m	6.6 ft	3 m	9.8 ft	4 m	13.1 ft	5 m	16.4 ft
14° Beam Diameter	0.28	0.9	0.60	2.0	0.96	3.1	1.27	4.2	1.58	5.2
19° Field Diameter	0.33	1.1	0.69	2.3	1.03	3.4	1.38	4.5	1.72	5.6
	lux	fc	lux	fc	lux	fc	lux	fc	lux	fc
RED LEDs	15,116	1,404	9,537	886	7,623	708	5,847	543	4,518	420
GREEN LEDs	33,054	3,071	25,468	2,366	18,072	1,679	12,970	1,205	9,849	915
BLUE LEDs	5,263	489	4,632	430	3,873	360	3,095	288	2,201	204
WHITE LEDs	39,711	3,689	30,574	2,840	23,545	2,187	16,999	1,579	12,883	1,197
FULL ON	77,344	7,185	70,370	6,537	54,413	5,055	40,505	3,763	29,722	2,761

Please Note: Specifications and improvements in the design of this unit and this manual are subject to change without any prior written notice.

DIMENSIONAL DRAWINGS



Please Note: Specifications and improvements in the design of this unit and this manual are subject to change without any prior written notice.

OPTIONAL ACCESSORIES

ORDER CODE	ITEM
TRIGGER CLAMP	Heavy Duty Wrap Around Hook Style Clamp
DRC360MTX	ACL 360 MATRIX 4-Pack Road Case
EWDMXSYSTEM	Wireless DMX System (1 Transmitter, 1 Receiver)
CAT005	5' (1.5m) CAT6 EtherCON Cable
PLC3	3 ft. (1m) PowerCON PRO Link Cable
AC3PDMX5PRO	5 ft. (1.5m) 3pin PRO DMX Cable
AC5PDMX5PRO	5 ft. (1.5m) 5pin PRO DMX Cable
	Additional Cable Lengths Available

