

N e w F e e l



NEW FEEL
LIGHTING



广州新感觉灯光音响设备有限公司

GUANGZHOU NEW FEEL LIGHTING AND AUDIO EQUIPMENT CO., LTD

热线 Tel: +86 20-36393166 36396409 36391055 36391255

网址 Web: [Http://www.newfeellight.com](http://www.newfeellight.com)

地址: 广州白云区均禾街石马桃红西街34号润龙工业区B栋2-4楼

Add: 2-4/F Building B Runlong Industrial Park, No. 34 Taohong West Street, Shima Baiyun District Guangzhou

CONTENTS

公司简介	01	F2550系列	25
展会回顾	03	NF-760系列	27
工程案例	05	NF-560系列	29
户外防水激光系列	07	NF-660系列	31
F5600全彩系列	09	M3000系列	33
F4700全彩系列	11	F8系列	35
F3600全彩系列	13	F2系列	36
F5600单绿系列	15	四眼全彩振镜	37
F4600/F3600单绿系列	16	六眼全彩振镜	38
户外地标全彩系列	17	6轴摇摆全彩/单色激光帘	39
户外地标单绿系列	18	8眼全彩/单色激光帘	40
XK全彩动画系列	19	FS系列/F1666/F1645	41
防水全彩星空灯	20	四头激光/三头激光	42
演出娱乐激光系列	21	双头/单头	43
F4500系列	23	外挂激光雨帘	44
		资质	45



卓越的品质和优良的服务为我们赢得了广阔的市场空间,使得我们的产品倍受国内外用户的青睐;目前我们已经和欧亚、南北美洲等国际上50多个国家建立了代理、经销等多种形式的合作关系,而在国内各地的舞台灯光工程、市政工程、地标建筑、主题公园、舞厅、俱乐部、电视台、歌剧院及大型演出等场所,我们的产品也得到了广泛的应用。

“新感觉”愿与您携手并进,共创灯光世界新感觉!

公司介绍

广州新感觉灯光音响设备有限公司坐落于广州白云区均禾街道,是一家集科研、生产、销售、工程服务为一体的科技型专业灯光民营企业。

本司聚集了一批光电科技研发精英和经验丰富、技术精湛的专业生产施工人员,精雕细琢后推出了品种繁多、质量上乘的全系列户外、室内专业激光灯产品。

Guangzhou New Feel Lighting Audio Equipment CO.LTD, a reserching, producing, selling and professional privately-owned manufactory. We gathered a group of experienced Photoelectric R and D elite and skilled producing worker. After launching a wide range of multi-functional lighting products, now our main products covering as follows: Laser(including animation scanner laser, step motor laser, ouooutdoor waterproof laser, etc.).

LED lights(including PAR light, moving head light and different effect lights).

With superior quality and excellent service has made us owned a borad marketing space and enabeled our products highly appreciated both at home and abroad. At present we established agents, distrubutions and many other kinds of cooperating relationship with Europe and Asia, North and South Americas and so on. Our products have widely used in our own country, such as stage-lighting engineering, multipal works, land mark bulding, KTV, dacing hall, clubs, opera house, big show, concert, and other entertainment venues.

Well-made goods make industrial legend, quality estash trusted brand, superior service inspire customer. In order to be remarkable in lighting feild, New Feel is looking forward to working with you.

展会回顾

Exhibition Review

2010



2010年上海展



2011



2011年上海展 & 广州展



2012



2012年广州展 & 北京展



2013



2013年广州展 & 北京展



2014



2014年广州展



2015



2015年广州展 & 北京展



2016



2016年广州展 & 德国展



2017



2017年广州展 & 上海展



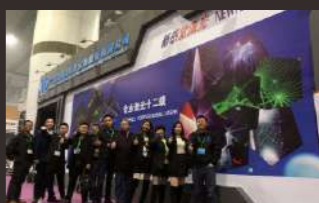
2018



2018年广州展 & 北京展



2019



2019年广州展



2020

成功案例

Successful Case



2009年上海五月天演唱会



2010年成都中国会所



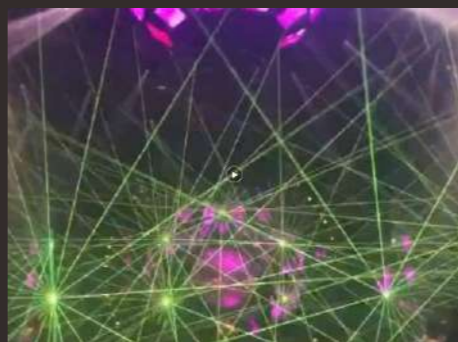
2012年邵武元宵晚会



2012年台北灯会



2017年贵州茅台古镇夜景灯光



2018湛江星光大道酒吧



2019广西平果edc CLUB



2012年增城你好新年晚会



2013年恩平88酒吧



2013年西塘潘多拉酒吧



2013年西塘水调歌头酒吧



2019年湖州龙之梦乐园



2019年福建南靖麒麟山公园



2019泰国芭提雅酒吧



2020年广西平果邓公山公园



2013西塘单身情歌酒吧



2014年山东枣庄西风瘦马酒吧



2014年西塘神话酒吧



2014西塘桃花庵酒吧



2020年哈密旅游文化创意园



2020年贵州铜仁江口龙虾节



2020年盐城大纵湖东晋水城



2020重庆巫山FM SPACE



2016年南宁星悦里PTV



2016年番禺百万葵园七彩花海剧场



2016年湖北宜昌苏格缪斯酒吧



2016年南昌金喙会所

户外防水激光系列

Outdoor waterproof laser series

户外专业激光灯通常应用于主题公园、楼宇地标、旅游景点、大型户外广场、或大型的户外演出等场景。

户外激光灯光具有颜色鲜艳、亮度高、射程远、易控制、效果眩丽、花样多等优点，可在空间形成巨大的扇面、多边形、波浪、圆形等任何二维造型的空间光束，可以烘托出雄伟奇魄的梦幻的意境，能让方圆几公里的人们体验到强烈的三维立体的视觉冲击，从而成为当之无愧的焦点。

是都市标志性建筑、景区的点睛之“光”，被称为城市和景区的“名片”！



FULL-COLOR SERIES

F5600全彩系列 Full-color series



产品参数

输入电源: AC110V/220V,50-60Hz±10%
 额定功率: <1000W
 激光功率: RGB42-130W
 激光调制: 模拟调制或TTL调制
 激光器类别: 纯固态激光器, 稳定性高, 寿命长。
 激光出光口光束直径大小: <10mm
 激光光束发散角: <1.3mrad
 激光波长: 红光 635或638±5nm, 绿光 532nm或520±5nm, 蓝光450±5nm
 扫描系统: 25K-30KPPS超大镜片高速振镜
 振镜扫描角度: ±30°; 输入信号±5V; 线性失真<2%
 控制模式: ILDA 标准电脑激光软件/DMX512/自走/主从机
 安全智能: 无信号闭光、DMX信号及PC信号可切换。带一束光保护功能, 如出现振镜故障, 只出一束光时会自己闭光。
 适合场所: 文旅景观亮化、中大型演出、楼宇地标等场所
 工作环境: 室内外 (零下30~零上40度)
 防护级别: IP56
 冷却系统: 激光器带TEC制冷, 整机风机强制冷却
 航空箱包装

Product parameters

Power supply: AC110/220V, 50-60Hz±10%
 Rated power: max 1000W
 Laser power: RGB42-130W
 Laser modulated signal: analog or TTL modulation
 Type of laser: imported semiconductor solid-state laser
 Beam diameter at the aperture :<10mm
 Beam divergence:<1.3mrad
 Laser wavelength: red 635 or 638±5nm, green 532 or 520±5nm, blue 450±5nm
 Scanning system: 25-30KPPS high speed scanning
 Control mode: international standard ILDA control /DMX512 signal control / self-walk/master-slave
 Control interface: international ILDA DB25 interface, international DXM512 , can connect with American pangolin laser software and tiger, pearl, MA controller, etc.
 Safety function: one beam protection, no signal to close the light, etc
 Suitable places: land mark bulding, theme park,dacing hall, club, big show and other entertainment venues
 Working environment: outdoor /indoor (-30~40 degrees)
 Protection level: IP56
 Packing : flight case

FULL-COLOR SERIES

F4700全彩系列 Full-color series



F4700全彩系列舞台激光灯全部由二极管装配，具有良好的白平衡，演变性能及高可见度。该设备可以通过ILDA进行控制，并且具有图形功能。

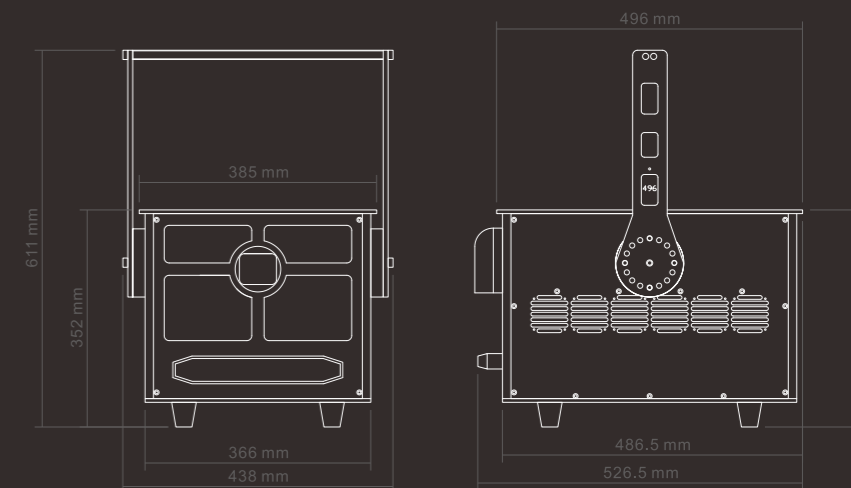
F4700 full-color stage laser lamps are all assembled by diodes, Good white balance, evolution and high visibility. The device can be controlled by ILDA and has graphics capabilities.



产品参数

输入电源: AC110V/220V, 50-60Hz ± 10%
 额定功率: <800W
 激光功率: RGB20-50W
 激光调制: 模拟调制或TTL调制
 激光器类别: 纯固态激光器, 稳定性高, 寿命长。
 激光出光口光束直径大小: <8mm
 激光光束发散角: <1.3mrad
 激光波长: 红光 635或638 ± 5nm, 绿光 532nm或520 ± 5nm, 蓝光 450 ± 5nm
 扫描系统: 25K-30KPPS超大镜片高速振镜
 振镜扫描角度: ± 30°; 输入信号 ± 5V; 线性失真 < 2%
 控制模式: ILDA 标准电脑激光软件/DMX512/自走/主从机
 安全智能: 无信号闭光、DMX信号及PC信号可切换。带一束光保护功能, 如出现振镜故障, 只出一束光时会自己闭光。
 适合场所: 文旅景观亮化、中大型演出、楼宇地标等场所
 工作环境: 室内外 (零下30~零上40度)
 防护级别: IP56
 冷却系统: 激光器带TEC制冷, 整机风机强制冷却
 航空箱包装

尺寸图 Dimension



Product parameters

Power supply: AC110/220V, 50-60Hz ± 10%
 Rated power: max 800W
 Laser power: RGB20-50W
 Laser modulated signal: analog or TTL modulation
 Type of laser: imported semiconductor solid-state laser
 Beam diameter at the aperture: <8mm
 Beam divergence: <1.3mrad
 Laser wavelength: red 635 or 638 ± 5nm, green 532 or 520 ± 5nm, blue 450 ± 5nm
 Scanning system: 25-30KPPS high speed scanning
 Control mode: international standard ILDA control / DMX512 signal control / self-walk/master-slave
 Control interface: international ILDA DB25 interface, international DMX512, can connect with American pangolin laser software and tiger, pearl, MA controller, etc.
 Safety function: one beam protection, no signal to close the light, etc
 Suitable places: land mark building, theme park, dancing hall, club, big show and other entertainment venues
 Working environment: outdoor / indoor (-30~40 degrees)
 Protection level: IP56
 Packing: flight case

FULL-COLOR SERIES

F3600全彩系列 Full-color series



F3600全彩系列舞台激光灯全部由二极管装配，具有良好的白平衡，演变性能及高可见度。该设备可以通过ILDA进行控制，并且具有图形功能。

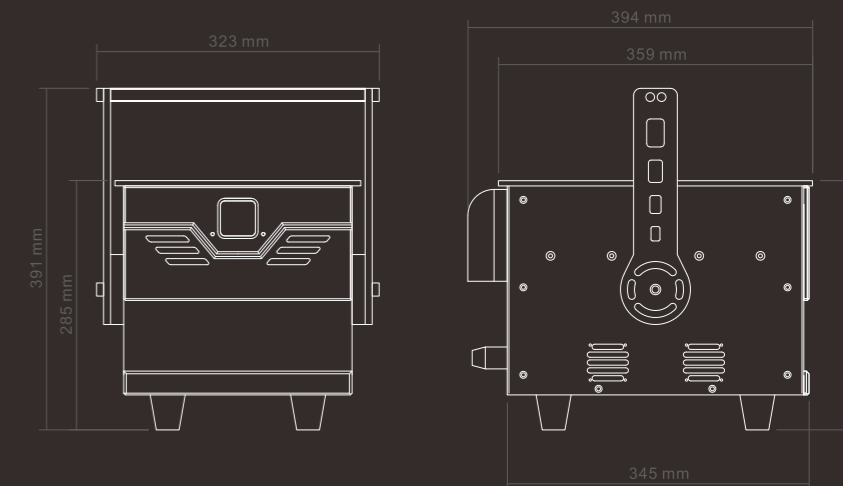
F3600 full-color stage laser lamps are all assembled by diodes, Good white balance, evolution and high visibility. The device can be controlled by ILDA and has graphics capabilities.



产品参数

输入电源: AC110V/220V, 50-60Hz ± 10%
 额定功率: <600W
 激光功率: RGB10-20W
 激光调制: 模拟调制或TTL调制
 激光器类别: 纯固态激光器, 稳定性高, 寿命长。
 激光出光口光束直径大小: <7mm
 激光光束发散角: <1.3mrad
 激光波长: 红光638 ± 5nm, 绿光 520 ± 5nm, 蓝光450 ± 5nm
 扫描系统: 30K-40KPPS大镜片高速振镜
 振镜扫描角度: ± 30°; 输入信号 ± 5V; 线性失真 < 2%
 控制模式: ILDA 标准电脑激光软件/DMX512/自走/主从机
 安全智能: 无信号闭光、DMX信号及PC信号可切换。
 带一束光保护功能, 如出现振镜故障, 只出一束光时会自己闭光。
 适合场所: 文旅景观亮化、中大型演出、楼宇地标等场所
 工作环境: 室内外 (零下30~零上40度)
 防护级别: IP56
 冷却系统: 激光器带TEC制冷, 整机风机强制冷却
 航空箱包装

尺寸图 Dimension



Product parameters

Power supply: AC110/220V, 50-60Hz ± 10%
 Rated power: max 600W
 Laser power: RGB10-20W
 Laser modulated signal: analog or TTL modulation
 Type of laser: imported semiconductor solid-state laser
 Beam diameter at the aperture : <7mm
 Beam divergence: <1.3mrad
 Laser wavelength: red 638 ± 5nm, green 520 ± 5nm, blue 450 ± 5nm
 Scanning system: 30K-40KPPS high speed scanning
 Control mode: international standard ILDA control /DMX512 signal control / self-walk/master-slave
 Control interface: international ILDA DB25 interface, international DXM512 , can connect with American pangolin laser software and tiger, pearl, MA controller, etc.
 Safety function: one beam protection, no signal to close the light, etc
 Suitable places: land mark bulding, theme park, dacing hall, club, big show and other enterntainment venues
 Working environment: outdoor /indoor (-30~40 degrees)
 Protection level: IP56
 Packing : flight case

F5600单绿系列

A single green series



产品参数

输入电源: AC110V/220V, 50-60Hz±10%
 额定功率: <1000W
 激光功率: G 20-60W
 激光调制: 模拟调制或TTL调制
 激光器类别: 纯固态激光器, 稳定性高, 寿命长。
 激光出光口光束直径大小: <10mm
 激光光束发散角: <1.3mrad
 激光波长: 绿光 532nm或520±5nm
 扫描系统: 25K-30KPPS超大镜片高速振镜
 振镜扫描角度: ±30°; 输入信号±5V; 线性失真<2%
 控制模式: ILDA 标准电脑激光软件/DMX512/自走/主从机
 安全智能: 无信号闭光、DMX信号及PC信号可切换。
 带一束光保护功能, 如出现振镜故障, 只出一束光时会自己闭光。
 适合场所: 文旅景观亮化、中大型演出、楼宇地标等场所
 工作环境: 室内外 (零下30~零上40度)
 防护级别: IP56
 冷却系统: 激光器带TEC制冷, 整机风机强制冷却
 航空箱包装

Product parameters

Power supply: AC110/220V, 50-60Hz±10%
 Rated power: max 1000W
 Laser power: G 20-60W
 Laser modulated signal: analog or TTL modulation
 Type of laser: imported semiconductor solid-state laser
 Beam diameter at the aperture :<10mm
 Beam divergence:<1.3mrad
 Laser wavelength: green 532 or 520±5nm
 Scanning system: 25-30KPPS high speed scanning
 Control mode: international standard ILDA control / DMX512 signal control /self-walk/master-slave
 Control interface: international ILDA DB25 interface, international DXM512 , can connect with American pangolin laser software and tiger, pearl, MA controller, etc.
 Safety function: one beam protection, no signal to close the light, etc
 Suitable places: land mark bulding, theme park, dacing hall, club, big show and other entertainment venues
 Working environment: outdoor /indoor (-30~40 degrees)
 Protection level: IP56
 Packing : flight case



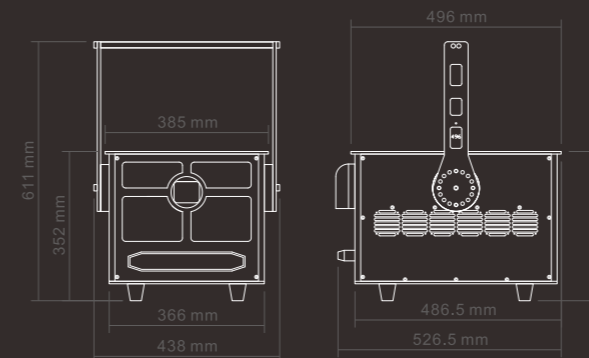
A SINGLE GREEN SERIES

F4600/F3600单绿系列

A single green series



尺寸图 Dimension



产品参数

输入电源: AC110V/220V, 50-60Hz±10%
 额定功率: <800W
 激光功率: G 5-32W
 激光调制: 模拟调制或TTL调制
 激光器类别: 纯固态激光器, 稳定性高, 寿命长。
 激光出光口光束直径大小: <10mm
 激光光束发散角: <1.3mrad
 激光波长: 绿光 532nm或520±5nm
 扫描系统: 25K-40KPPS大镜片高速振镜
 振镜扫描角度: ±30°; 输入信号±5V; 线性失真<2%
 控制模式: ILDA 标准电脑激光软件/DMX512/自走/主从机
 安全智能: 无信号闭光、DMX信号及PC信号可切换。
 带一束光保护功能, 如出现振镜故障, 只出一束光时会自己闭光。
 适合场所: 文旅景观亮化、中大型演出、楼宇地标等场所
 工作环境: 室内外 (零下30~零上40度)
 防护级别: IP56
 冷却系统: 激光器带TEC制冷, 整机风机强制冷却
 航空箱包装

Product parameters

Power supply: AC110/220V, 50-60Hz±10%
 Rated power: max 800W
 Laser power: G 5-32W
 Laser modulated signal: analog or TTL modulation
 Type of laser: imported semiconductor solid-state laser
 Beam diameter at the aperture :<10mm
 Beam divergence:<1.3mrad
 Laser wavelength: green 532 or 520±5nm
 Scanning system: 25-40KPPS high speed scanning
 Control mode: international standard ILDA control / DMX512 signal control /self-walk/master-slave
 Control interface: international ILDA DB25 interface, international DXM512 , can connect with American pangolin laser software and tiger, pearl, MA controller, etc.
 Safety function: one beam protection, no signal to close the light, etc
 Suitable places: land mark bulding, theme park, dacing hall, club, show and other entertainment venues
 Working environment: outdoor /indoor (-30~40 degrees)
 Protection level: IP56
 Packing : flight case

A SINGLE GREEN SERIES

户外全彩地标系列

Outdoor landmark series



产品参数

输入电源: AC110V/220V, 50-60Hz±10%
 额定功率: <1000W
 激光功率: RGB20-50W
 激光调制: 模拟调制或TTL调制
 激光器类别: 纯固态激光器, 稳定性高, 寿命长。
 激光出光口光束直径大小: <8mm
 激光光束发散角: <1.3mrad
 激光波长: 红光 635或638±5nm, 绿光 532nm或520±5nm, 蓝光450±5nm
 扫描系统: 25K-30KPPS超大镜片高速振镜
 振镜扫描角度: ±30°; 输入信号±5V; 线性失真<2%
 控制模式: ILDA 标准电脑激光软件/DMX512/自走/主从机
 安全智能: 无信号闭光、DMX信号及PC信号可切换。
 带一束光保护功能, 如出现振镜故障, 只出一束光时会自己闭光。
 水平旋转角度: 0~360°
 适合场所: 文旅景观亮化、楼宇地标等场所
 工作环境: 室内外 (零下30~零上40度)
 防护级别: IP56
 冷却系统: 激光器带TEC制冷, 整机风机强制冷却
 航空箱包装

Product parameters

Power supply: AC110/220V, 50-60Hz±10%
 Rated power: max 1000W
 Laser power: RGB20-50W
 Laser modulated signal: analog or TTL modulation
 Type of laser: imported semiconductor solid-state laser
 Beam diameter at the aperture :<8mm
 Beam divergence:<1.3mrad
 Laser wavelength: red 635 or 638±5nm, green 532 or 520±5nm, blue 450±5nm
 Scanning system: 25-30KPPS high speed scanning
 Control mode: international standard ILDA control / DMX512 signal control /self-walk/master-slave
 Control interface: international ILDA DB25 interface, international DXM512 , can connect with American pangolin laser software and tiger, pearl, MA controller, etc.
 Safety function: one beam protection, no signal to close the light, etc
 Horizontal rotation angle: 0~360(°)
 Suitable places: land mark bulding, theme park and other entertainment venues
 Working environment: outdoor /indoor (-30~40 degrees)
 Protection level: IP56
 Packing : flight case



户外单绿地标系列

Outdoor landmark series

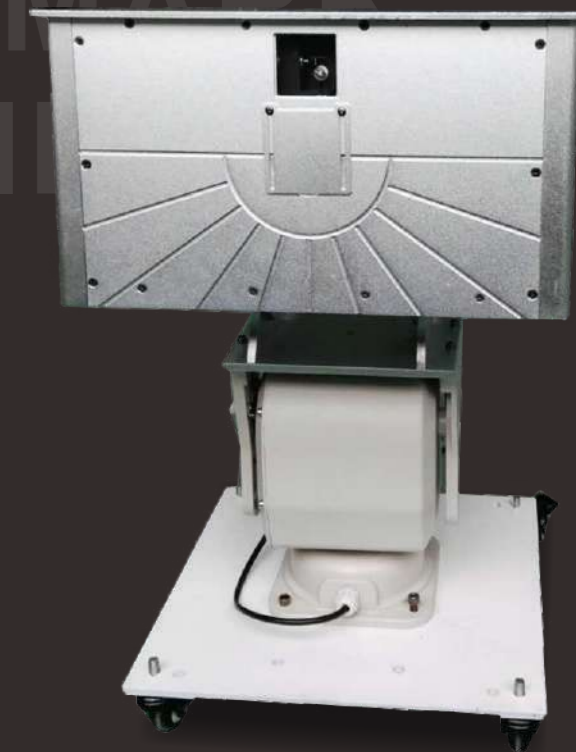


产品参数

输入电源: AC110V/220V, 50-60Hz±10%
 额定功率: <1000W
 激光功率: G10-32W
 激光调制: 模拟调制或TTL调制
 激光器类别: 纯固态激光器, 稳定性高, 寿命长。
 激光出光口光束直径大小: <8mm
 激光光束发散角: <1.3mrad
 激光波长: 绿光 532nm或520±5nm,
 扫描系统: 25K-40KPPS大镜片高速振镜
 振镜扫描角度: ±30°; 输入信号±5V; 线性失真<2%
 控制模式: ILDA 标准电脑激光软件/DMX512/自走/主从机
 安全智能: 无信号闭光、DMX信号及PC信号可切换。
 带一束光保护功能, 如出现振镜故障, 只出一束光时会自己闭光。
 水平旋转角度: 0~360°
 适合场所: 文旅景观亮化、楼宇地标等场所
 工作环境: 室内外 (零下30~零上40度)
 防护级别: IP56
 冷却系统: 激光器带TEC制冷, 整机风机强制冷却
 航空箱包装

Product parameters

Power supply: AC110/220V, 50-60Hz±10%
 Rated power: max 1000W
 Laser power: G10-32W
 Laser modulated signal: analog or TTL modulation
 Type of laser: imported semiconductor solid-state laser
 Beam diameter at the aperture :<8mm
 Beam divergence:<1.3mrad
 Laser wavelength: Green 532 or 520±5nm
 Scanning system: 25-40KPPS high speed scanning
 Control mode: international standard ILDA control / DMX512 signal control /self-walk/master-slave
 Control interface: international ILDA DB25 interface, international DXM512 , can connect with American pangolin laser software and tiger, pearl, MA controller, etc.
 Safety function: one beam protection, no signal to close the light, etc
 Horizontal rotation angle: 0~360(°)
 Suitable places: land mark bulding, theme park and other entertainment venues
 Working environment: outdoor /indoor (-30~40 degrees)
 Protection level: IP56
 Packing : flight case



Xk全彩动画系列

Xk Full Color Animation Series



产品参数

输入电源: AC110V/220V, 50-60Hz ± 10%
额定功率: <50W
激光功率: RGB300-2000mw
激光调制: 模拟调制或TTL调制
激光器类别: 纯固态激光器, 稳定性高, 寿命长。
激光出光口光束直径大小: <6mm
激光光束发散角: <1.3mrad
激光波长: 红光638 ± 5nm, 绿光520 ± 5nm, 蓝光450 ± 5nm
扫描系统: 15K-20KPPS 高速振镜
振镜扫描角度: ± 20°; 输入信号 ± 5V; 线性失真 < 2%
控制模式: DMX512/自走/主从机
适合场所: 文旅景观亮化、中小型演出、酒吧KTV等场所
工作环境: 室内外 (零下30~零上40度)
防护级别: IP66
纸箱包装

Product parameters

Power supply: AC110V/220V, 50-60Hz ± 10%
Rated power: max 50W
Laser power: RGB300-2000mw
Laser modulated signal: analog or TTL modulation
Type of laser: imported semiconductor solid-state laser
Beam diameter at the aperture: <6mm
Beam divergence: <1.3mrad
Laser wavelength: red 638 ± 5nm, green 520 ± 5nm, blue 450 ± 5nm
Scanning system: 15K-20KPPS high speed scanning
Control mode: DMX512 signal control /self-walk/master-slave
Suitable places: land mark bulding, theme park, dacing hall, club, and other enterntainment venues
Working environment: outdoor /indoor (-30~40 degrees)
Protection level: IP66
Packing : carton



防水全彩星空灯

Waterproof Full Color Star Light



产品参数

输入电源: AC90-240V, 50-60Hz ± 10%
额定功率: <30W
激光功率: RGB300-2000mw
激光调制: 模拟调制
激光器类别: 纯固态激光器, 稳定性高, 寿命长
激光波长: 红光638 ± 5nm, 绿光520 ± 5nm, 蓝光450 ± 5nm
模式: DMX512/自走/主从
适合场所: 文旅景观亮化、中小型演出、酒吧等场所
工作环境: 室内外 (零下30~零上40度)
防护级别: IP66
纸箱包装

Product parameters

Power supply: 90-240V, 50-60Hz ± 10%
Rated power: max 30W
Laser power: RGB300-2000mw
Laser modulated signal: analog modulation
Type of laser: imported semiconductor solid-state laser
Laser wavelength: red 638 ± 5nm, green 520 ± 5nm, blue 450 ± 5nm
Control mode: DMX512 signal control /self-walk/master-slave
Suitable places: land mark bulding, theme park, dacing hall, cluband other enterntainment venues
Working environment: outdoor /indoor (-30~40 degrees)
Protection level: IP66
Packing: Carton



演出娱乐激光系列

Performance entertainment laser series

演出娱乐激光主要应用于演唱会、酒吧KTV娱乐会所、发布会、商业广告等室内场所。激光灯具有颜色纯正,穿透力强,振镜扫描速度快,慢速时平顺柔和,快速时即点即现,能实现和音乐节奏完全同步等特点,结合烟雾后更是能呈现时空隧道,激光大战,波浪起伏等如诗如画的意境。因此演出娱乐激光灯已经成为演出娱乐必不可少的神器之一!



F4500系列

F4500 series



F4500全彩系列舞台激光灯全部由二极管装配，具有良好的白平衡，演变性能及高可见度。该设备可以通过ILDA进行控制，并且具有图形功能。

F4500 full-color stage laser lamps are all assembled by diodes, Good white balance, evolution and high visibility. The device can be controlled by ILDA and has graphics capabilities.

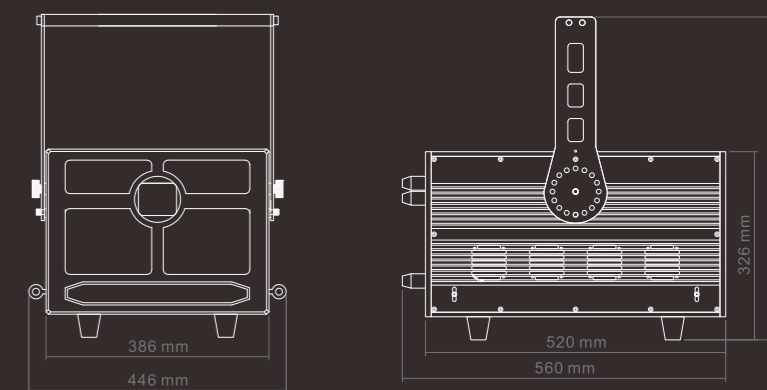
F4500 SERIES



产品参数

输入电源: AC110V/220V, 50-60Hz ± 10%
 额定功率: <800W
 激光功率: RGB20-50W
 激光调制: 模拟调制或TTL调制
 激光器类别: 纯固态激光器, 稳定性高, 寿命长。
 激光出光口光束直径大小: <8mm
 激光光束发散角: <1.3mrad
 激光波长: 红光 635或638 ± 5nm, 绿光 532nm或520 ± 5nm, 蓝光450 ± 5nm
 扫描系统: 25K-30KPPS超大镜片高速振镜
 振镜扫描角度: ±30°; 输入信号 ±5V; 线性失真 <2%
 控制模式: ILDA 标准电脑激光软件/DMX512/自走/声控/主从机
 安全智能: 无信号闭光、DMX信号及PC信号可切换。
 带一束光保护功能, 如出现振镜故障, 只出一束光时会自己闭光。
 适合场所: 中大型演出、酒吧剧院等场所
 工作环境: 室内 (零下30~零上40度)
 冷却系统: 激光器带TEC制冷, 整机风机强制冷却
 航空箱包装

尺寸图 Dimension



Product parameters

Power supply: AC110/220V, 50-60Hz ± 10%
 Rated power: max 800W
 Laser power: RGB20-50W
 Laser modulated signal: analog or TTL modulation
 Type of laser: imported semiconductor solid-state laser
 Beam diameter at the aperture : <8mm
 Beam divergence: <1.3mrad
 Laser wavelength: red 635 or 638 ± 5nm, green 532 or 520 ± 5nm, blue 450 ± 5nm
 Scanning system: 25-30KPPS high speed scanning
 Control mode: international standard ILDA control /DMX512 signal control / self-walk/voice control/master-slave
 Control interface: international ILDA DB25 interface, international DXM512, can connect with American pangolin laser software and tiger, pearl, MA controller, etc.
 Safety function: one beam protection, no signal to close the light, etc
 Suitable places: big show, dacing hall, club, Bar and other entertainment venues
 Working environment: indoor (-30~40 degrees)
 Packing : flight case

F2550系列

F2550 series

F2550全彩系列舞台激光灯全部由二极管装配，具有良好的白平衡，演变性能及高可见度。该设备可以通过ILDA进行控制，并且具有图形功能。

F2550 full-color stage laser lamps are all assembled by diodes, Good white balance, evolution and high visibility. The device can be controlled by ILDA and has graphics capabilities.



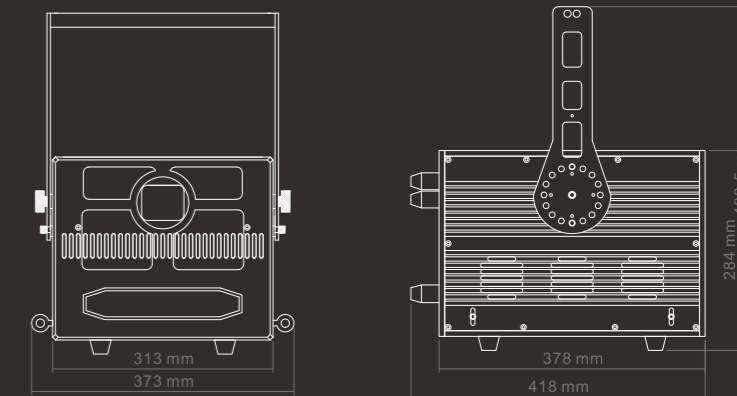
F2550 SERIES



产品参数

输入电源: AC110V/220V, 50-60Hz ± 10%
 额定功率: <600W
 激光功率: RGB10-20W
 激光调制: 模拟调制或TTL调制
 激光器类别: 纯固态激光器, 稳定性高, 寿命长。
 激光出光口光束直径大小: <7mm
 激光光束发散角: <1.3mrad
 激光波长: 红光638 ± 5nm, 绿光 520 ± 5nm, 蓝光450 ± 5nm
 扫描系统: 30K-40KPPS大镜片高速振镜
 振镜扫描角度: ±30°; 输入信号 ±5V; 线性失真 <2%
 控制模式: ILDA 标准电脑激光软件/DMX512/自走/声控/主从机
 安全智能: 无信号闭光、DMX信号及PC信号可切换。
 带一束光保护功能, 如出现振镜故障, 只出一束光时会自己闭光。
 适合场所: 中大型演出、酒吧剧院等场所
 工作环境: 室内(零下30~零上40度)
 冷却系统: 激光器带TEC制冷, 整机风机强制冷却
 航空箱包装

尺寸图 Dimension



Product parameters

Power supply: AC110/220V, 50-60Hz ± 10%
 Rated power: max 600W
 Laser power: RGB10-20W
 Laser modulated signal: analog or TTL modulation
 Type of laser: imported semiconductor solid-state laser
 Beam diameter at the aperture: <7mm
 Beam divergence: <1.3mrad
 Laser wavelength: red 638 ± 5nm, green 520 ± 5nm, blue 450 ± 5nm
 Scanning system: 30K-40KPPS high speed scanning
 Control mode: international standard ILDA control / DMX512 signal control / self-walk/voice control/master-slave
 Control interface: international ILDA DB25 interface, international DMX512, can connect with American pangolin laser software and tiger, pearl, MA controller, etc.
 Safety function: one beam protection, no signal to close the light, etc
 Suitable places: big show, dacing hall, club, Bar and other entertainment venues
 Working environment: indoor (-30~40 degrees)
 Packing: flight case

NF-760系列

NF-760 series



NF760全彩系列舞台激光灯全部由二极管装配，具有良好的白平衡，演变性能及高可见度。该设备可以通过ILDA进行控制，并且具有图形功能。

NF760 full-color stage laser lamps are all assembled by diodes, Good white balance, evolution and high visibility. The device can be controlled by ILDA and has graphics capabilities.

NF-760

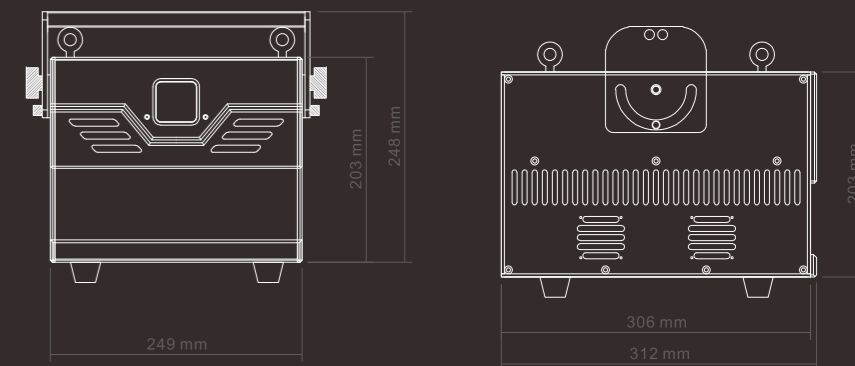
SEI



产品参数

输入电源: AC110V/220V, 50-60Hz ± 10%
 额定功率: <500W
 激光功率: RGB10-20W
 激光调制: 模拟调制或TTL调制
 激光器类别: 纯固态激光器, 稳定性高, 寿命长。
 激光出光口光束直径大小: <7mm
 激光光束发散角: <1.3mrad
 激光波长: 红光638 ± 5nm, 绿光520 ± 5nm, 蓝光450 ± 5nm
 扫描系统: 30KPPS 高速振镜
 振镜扫描角度: ±30°; 输入信号 ±5V; 线性失真 <2%
 控制模式: ILDA 标准电脑激光软件/DMX512/自走/声控/主从机
 安全智能: 无信号闭光、DMX信号及PC信号可切换。
 带一束光保护功能, 如出现振镜故障, 只出一束光时会自己闭光。
 适合场所: 中大型演出、酒吧剧院等场所
 工作环境: 室内(零下30~零上40度)
 冷却系统: 激光器带TEC制冷, 整机风机强制冷却
 纸箱包装

尺寸图 Dimension



Product parameters

Power supply: AC110/220V, 50-60Hz ± 10%
 Rated power: max 500W
 Laser power: RGB10-20W
 Laser modulated signal: analog or TTL modulation
 Type of laser: imported semiconductor solid-state laser
 Beam diameter at the aperture: <7mm
 Beam divergence: <1.3mrad
 Laser wavelength: red 638 ± 5nm, green 520 ± 5nm, blue 450 ± 5nm
 Scanning system: 30K-40KPPS high speed scanning
 Control mode: international standard ILDA control / DMX512 signal control / self-walk/voice control/master-slave
 Control interface: international ILDA DB25 interface, international DMX512, can connect with American pangolin laser software and tiger, pearl, MA controller, etc.
 Safety function: one beam protection, no signal to close the light, etc
 Suitable places: big show, dacing hall, club, Bar and other entertainment venues
 Working environment: indoor (-30~40 degrees)
 Packing: carton case

NF-560系列

NF-560 series

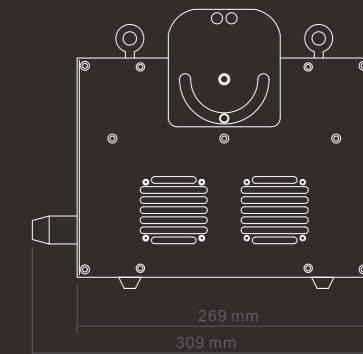
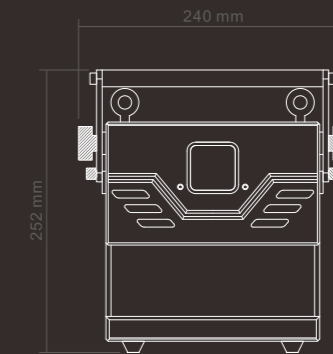


NF560全彩系列舞台激光灯全部由二极管装配，具有良好的白平衡，演变性能及高可见度。该设备可以通过ILDA进行控制，并且具有图形功能。

NF560 full-color stage laser lamps are all assembled by diodes, Good white balance, evolution and high visibility. The device can be controlled by ILDA and has graphics capabilities.

NF-560 SERIES

尺寸图 Dimension



产品参数

输入电源: AC110V/220V, 50-60Hz ± 10%
 额定功率: <300W
 激光功率: RGB10W
 激光调制: 模拟调制或TTL调制
 激光器类别: 纯固态激光器, 稳定性高, 寿命长。
 激光出光口光束直径大小: <6mm
 激光光束发散角: <1.3mrad
 激光波长: 红光638 ± 5nm, 绿光 520 ± 5nm, 蓝光450 ± 5nm
 扫描系统: 25K-30KPPS 高速振镜
 振镜扫描角度: ±30°; 输入信号 ±5V; 线性失真 <2%
 控制模式: ILDA 标准电脑激光软件/DMX512/自走/声控/主从机
 安全智能: 无信号闭光、DMX信号及PC信号可切换。
 带一束光保护功能, 如出现振镜故障, 只出一束光时会自己闭光。
 适合场所: 中大型演出、酒吧剧院等场所
 工作环境: 室内 (零下30~零上40度)
 冷却系统: 整机风机强制冷却
 纸箱包装

Product parameters

Power supply: AC110/220V, 50-60Hz ± 10%
 Rated power: max 300W
 Laser power: RGB10W
 Laser modulated signal: analog or TTL modulation
 Type of laser: imported semiconductor solid-state laser
 Beam diameter at the aperture: <6mm
 Beam divergence: <1.3mrad
 Laser wavelength: red 638 ± 5nm, green 520 ± 5nm, blue 450 ± 5nm
 Scanning system: 25K-30KPPS high speed scanning
 Control mode: international standard ILDA control / DMX512 signal control / self-walk/voice control/master-slave
 Control interface: international ILDA DB25 interface, international DMX512, can connect with American pangolin laser software and tiger, pearl, MA controller, etc.
 Safety function: one beam protection, no signal to close the light, etc
 Suitable places: big show, dancing hall, club, Bar and other entertainment venues
 Working environment: indoor (-30~40 degrees)
 Packing: carton case

NF-660系列

NF-660 series



NF660全彩系列舞台激光灯全部由二极管装配，具有良好的白平衡，演变性能及高可见度。该设备可以通过ILDA进行控制，并且具有图形功能。

NF660 full-color stage laser lamps are all assembled by diodes, Good white balance, evolution and high visibility. The device can be controlled by ILDA and has graphics capabilities.

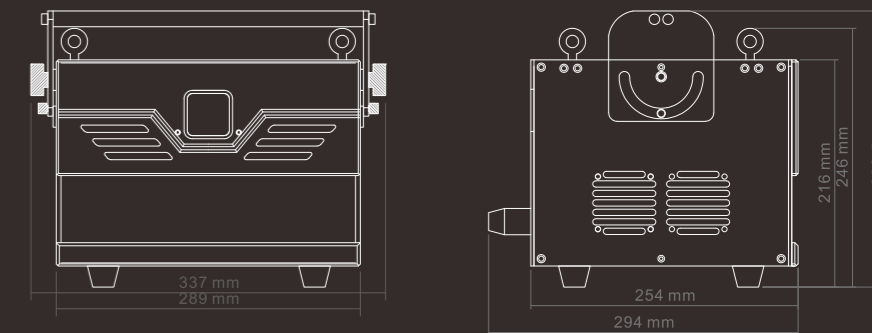
NF-660 SERIES



产品参数

输入电源: AC90-240V, 50-60Hz ± 10%
 额定功率: <200W
 激光功率: RGB1-6W
 激光调制: 模拟调制或TTL调制
 激光器类别: 纯固态激光器, 稳定性高, 寿命长。
 激光出光口光束直径大小: <6mm
 激光光束发散角: <1.3mrad
 激光波长: 红光638 ± 5nm, 绿光 520 ± 5nm, 蓝光450 ± 5nm
 扫描系统: 15-40KPPS 高速振镜
 振镜扫描角度: ±20-30°; 输入信号 ± 5V; 线性失真 < 2%
 控制模式: ILDA 标准电脑激光软件/DMX512/自走/声控/主从机
 安全智能: 无信号闭光、DMX信号及PC信号可切换。
 带一束光保护功能, 如出现振镜故障, 只出一束光时会自己闭光。
 适合场所: 中小型演出、酒吧剧院等场所
 工作环境: 室内 (零下30~零上40度)
 冷却系统: 激光器带TEC制冷, 整机风机强制冷却
 纸箱包装

尺寸图 Dimension



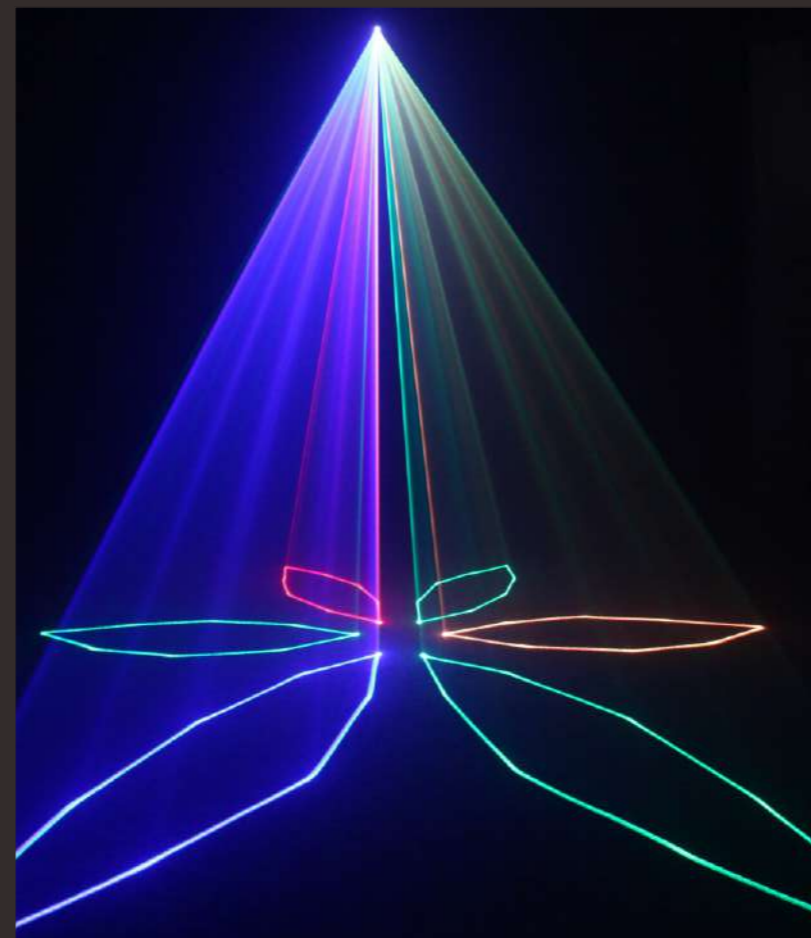
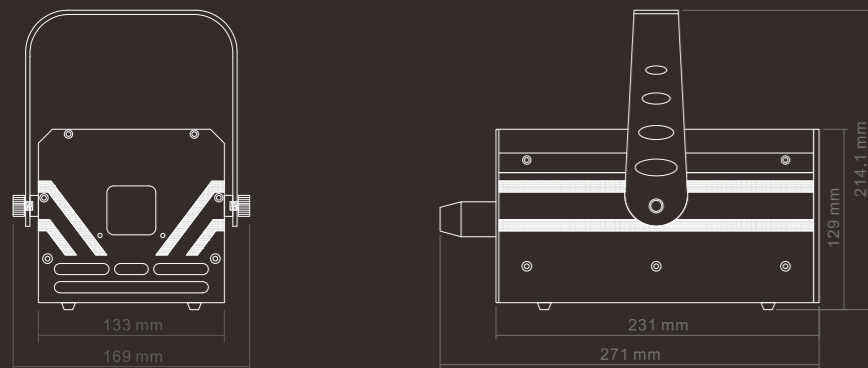
Product parameters

Power supply: AC90-240V, 50-60Hz ± 10%
 Rated power: max 200W
 Laser power: RGB1-6W
 Laser modulated signal: analog or TTL modulation
 Type of laser: imported semiconductor solid-state laser
 Beam diameter at the aperture : <6mm
 Beam divergence: <1.3mrad
 Laser wavelength: red 638 ± 5nm, green 520 ± 5nm, blue 450 ± 5nm
 Scanning system: 15-40KPPS high speed scanning
 Control mode: international standard ILDA control / DMX512 signal control / self-walk/voice control/master-slave
 Control interface: international ILDA DB25 interface, international DMX512, can connect with American pangolin laser software and tiger, pearl, MA controller, etc.
 Safety function: one beam protection, no signal to close the light, etc
 Suitable places: show, dacing hall, club, Bar and other entertainment venues
 Working environment: indoor (-30~40 degrees)
 Packing : carton case

M3000 系列

M3000 series

尺寸图 Dimension



产品参数

输入电源: AC90-240V, 50-60Hz ± 10%
 额定功率: < 200W
 激光功率: RGB1-5W
 激光调制: 模拟调制或 TTL 调制
 激光器类别: 纯固态激光器, 稳定性高, 寿命长。
 激光出光口光束直径大小: < 6mm
 激光光束发散角: < 1.3mrad
 激光波长: 红光 638 ± 5nm, 绿光 520 ± 5nm, 蓝光 450 ± 5nm
 扫描系统: 15-40KPPS 高速振镜

振镜扫描角度: ± 20-30°; 输入信号 ± 5V; 线性失真 < 2%
 控制模式: ILDA 标准电脑激光软件 / DMX512 / 自走 / 声控 / 主从机
 安全智能: 无信号闭光、DMX 信号及 PC 信号可切换。
 带一束光保护功能, 如出现振镜故障, 只出一束光时会自己闭光。
 适合场所: 中小型演出、酒吧剧院等场所
 工作环境: 室内 (零下 30~零上 40 度)
 冷却系统: 整机风机强制冷却
 纸箱包装

Product parameters

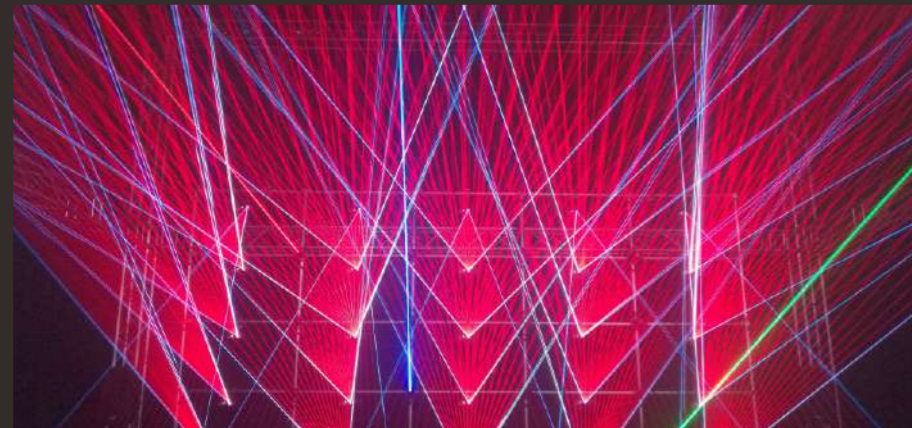
Power supply: AC90-240V, 50-60Hz ± 10%
 Rated power: max 200W
 Laser power: RGB1-5W
 Laser modulated signal: analog or TTL modulation
 Type of laser: imported semiconductor solid-state laser
 Beam diameter at the aperture: < 6mm
 Beam divergence: < 1.3mrad
 Laser wavelength: red 638 ± 5nm, green 520 ± 5nm, blue 450 ± 5nm
 Scanning system: 15-40KPPS high speed scanning

Control mode: international standard ILDA control / DMX512 signal control / self-walk / voice control / master-slave
 Control interface: international ILDA DB25 interface, international DMX512, can connect with American pangolin laser software and tiger, pearl, MA controller, etc.
 Safety function: one beam protection, no signal to close the light, etc
 Suitable places: show, dacing hall, club, Bar and other entertainment venues
 Working environment: indoor (-30~40 degrees)
 Packing: carton case



F8 系列

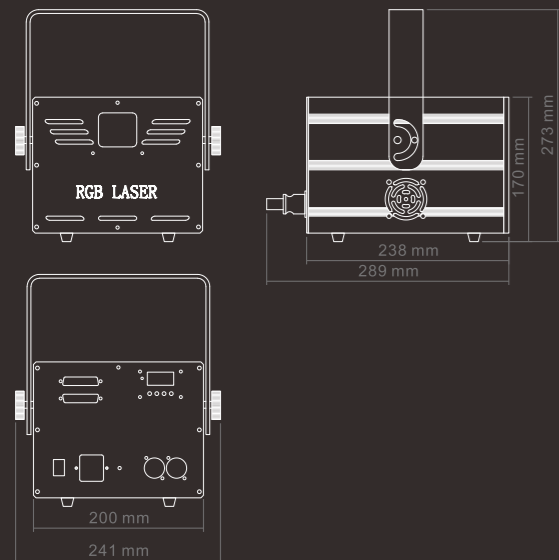
F8 series



F8 SERIES



尺寸图 Dimension



产品参数

输入电源: AC110V/220V, 50-60Hz±10%
 额定功率: <200W
 激光功率: RGB1-5W
 激光调制: 模拟调制或TTL调制
 激光器类别: 纯固态激光器, 稳定性高, 寿命长。
 激光出光口光束直径大小: <6mm
 激光光束发散角: <1.3mrad
 激光波长: 红光638±5nm, 绿光 520±5nm, 蓝光450±5nm
 扫描系统: 15-40KPPS 高速振镜
 振镜扫描角度: ±20-30°; 输入信号±5V; 线性失真<2%
 控制模式: ILDA 标准电脑激光软件/DMX512/自走/声控/主从机
 安全智能: 无信号闭光、DMX信号及PC信号可切换。
 带一束光保护功能, 如出现振镜故障, 只出一束光时会自己闭光。
 适合场所: 中小型演出、酒吧剧院等场所
 工作环境: 室内(零下30~零上40度)
 冷却系统: 整机风机强制冷却
 纸箱包装

Product parameters

Power supply: AC110/220V, 50-60Hz±10%
 Rated power: max 200W
 Laser power: RGB1-5W
 Laser modulated signal: analog or TTL modulation
 Type of laser: imported semiconductor solid-state laser
 Beam diameter at the aperture :<6mm
 Beam divergence:<1.3mrad
 Laser wavelength: red 638±5nm, green 520±5nm, blue 450±5nm
 Scanning system: 15-40KPPS high speed scanning
 Control mode: international standard ILDA control / DMX512 signal control /self-walk/voice control/master-slave
 Control interface: international ILDA DB25 interface, international DXM512, can connect with American pangolin laser software and tiger, pearl, MA controller, etc.
 Safety function: one beam protection, no signal to close the light, etc
 Suitable places: show, dacing hall, club, Bar and other entertainment venues
 Working environment: indoor (-30~40 degrees)
 Packing : carton case

F2 系列

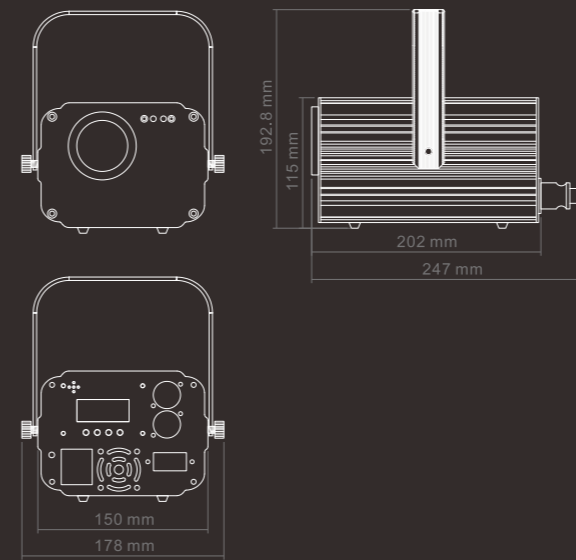
F2 series



F2 SERIES



尺寸图 Dimension



产品参数

输入电源: AC90-240V, 50-60Hz±10%
 额定功率: <100W
 激光功率: RGB300-1800mw
 激光调制: 模拟调制或TTL调制
 激光器类别: 纯固态激光器, 稳定性高, 寿命长。
 激光出光口光束直径大小: <6mm
 激光光束发散角: <1.3mrad
 激光波长: 红光638±5nm, 绿光 520±5nm, 蓝光450±5nm
 扫描系统: 15-20KPPS 高速振镜
 振镜扫描角度: ±20°; 输入信号±5V; 线性失真<2%
 控制模式: DMX512/自走/声控/主从机
 适合场所: KTV、酒吧等场所
 工作环境: 室内(零下30~零上40度)
 冷却系统: 整机风机强制冷却
 纸箱包装

Product parameters

Power supply: AC90-240V, 50-60Hz±10%
 Rated power: max 100W
 Laser power: RGB300-1800mw
 Laser modulated signal: analog or TTL modulation
 Type of laser: imported semiconductor solid-state laser
 Beam diameter at the aperture :<6mm
 Beam divergence:<1.3mrad
 Laser wavelength: red 638±5nm, green 520±5nm, blue 450±5nm
 Scanning system: 15-20KPPS high speed scanning
 Control mode: DMX512 signal control /self-walk/voice control/master-slave
 Working environment: indoor (-30~40 degrees)
 Packing : carton case

F4 四眼全彩系列

Four-Eye Full Color Series



产品参数

输入电源: AC90-240V, 50-60Hz±10%
 额定功率: <400W
 激光功率: RGB2/6W*4
 激光调制: 模拟调制或TTL调制
 激光器类别: 纯固态激光器, 稳定性高, 寿命长。
 激光出光口光束直径大小: <6mm
 激光光束发散角: <1.3mrad
 激光波长: 红光638±5nm, 绿光520±5nm, 蓝光450±5nm
 扫描系统: 15-30KPPS 高速振镜*4
 振镜扫描角度: ±20-30°; 输入信号±5V; 线性失真<2%
 控制模式: DMX512/自走/声控/主从机
 适合场所: 中小型演出、酒吧剧院等场所
 工作环境: 室内 (零下30~零上40度)
 冷却系统: 整机风机强制冷却
 纸箱包装

Product parameters

Power supply: AC90-240V, 50-60Hz±10%
 Rated power: max 400W
 Laser power: RGB2/6W*4pcs
 Laser modulated signal: analog or TTL modulation
 Type of laser: imported semiconductor solid-state laser
 Beam diameter at the aperture : <6mm
 Beam divergence: <1.3mrad
 Laser wavelength: red 638±5nm, green 520±5nm, blue 450±5nm
 Scanning system: 15-30KPPS high speed scanning *4pcs
 Control mode: DMX512 signal control /self-walk/
 voice control/master-slave
 Suitable places: show, dacing hall, club, Bar and other
 enterntainment venues
 Working environment: indoor (-30~40 degrees)
 Packing : carton case



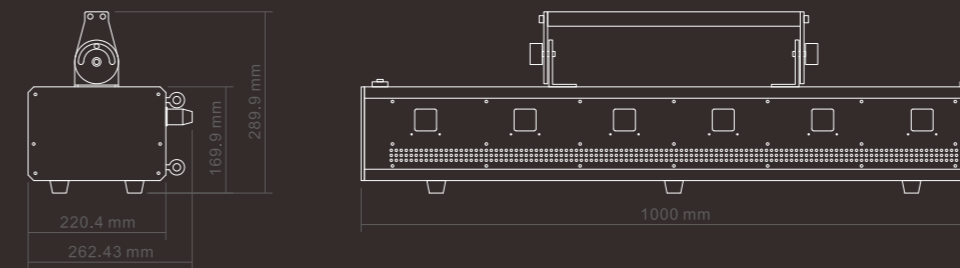
FOUR-EYE FULL COLOR SERIES

F6 六眼全彩系列

Six-Eye Full Color Series



尺寸图 Dimension



产品参数

输入电源: AC90-240V, 50-60Hz±10%
 额定功率: <400W
 激光功率: RGB2W*6
 激光调制: 模拟调制或TTL调制
 激光器类别: 纯固态激光器, 稳定性高, 寿命长。
 激光出光口光束直径大小: <6mm
 激光光束发散角: <1.3mrad
 激光波长: 红光638±5nm, 绿光520±5nm, 蓝光450±5nm
 扫描系统: 15-30KPPS 高速振镜*6
 振镜扫描角度: ±20-30°; 输入信号±5V; 线性失真<2%
 控制模式: DMX512/自走/声控/主从机
 适合场所: 中小型演出、酒吧剧院等场所
 工作环境: 室内 (零下30~零上40度)
 冷却系统: 整机风机强制冷却
 纸箱包装

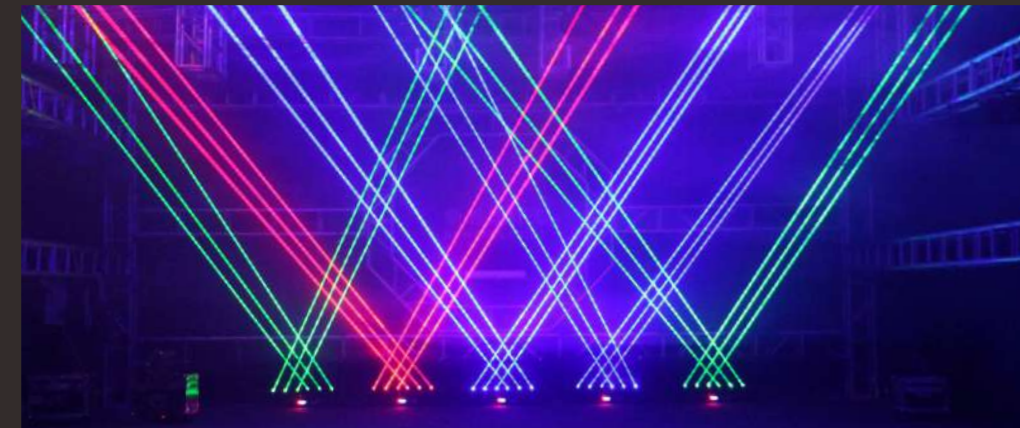
Product parameters

Power supply: AC90-240V, 50-60Hz±10%
 Rated power: max 400W
 Laser power: RGB2W*6pcs
 Laser modulated signal: analog or TTL modulation
 Type of laser: imported semiconductor solid-state laser
 Beam diameter at the aperture : <6mm
 Beam divergence: <1.3mrad
 Laser wavelength: red 638±5nm, green 520±5nm, blue 450±5nm
 Scanning system: 15-30KPPS high speed scanning *6pcs
 Control mode: DMX512 signal control /self-walk/
 voice control/master-slave
 Suitable places: show, dacing hall, club, Bar and other
 entertainment venues
 Working environment: indoor (-30~40 degrees)
 Packing : carton case

Six-Eye FULL COLOR SERIES

六轴摇摆全彩/单色激光帘

Six-axis swing full color
monochrome laser curtain



产品参数

输入电源: AC90-240V, 50-60Hz±10%
额定功率: <200W
激光功率: RGB300mw*6 或 R500mw*6 或 G80mw*6 或 B1000mw*6
激光调制: 模拟调制或TTL调制
激光器类别: 纯固态激光器, 稳定性高, 寿命长。
激光波长: 红光638±5nm, 绿光520±5nm, 蓝光450±5nm
扫描角度: Y轴240°, X轴140°
控制模式: DMX512/自走/声控/主从机
适合场所: 中小型演出、酒吧剧院等场所
工作环境: 室内(零下30~零上40度)
冷却系统: 整机风机强制冷却
纸箱包装

Product parameters

Power supply: AC90-240V, 50-60Hz±10%
Rated power: max 200W
Laser power: RGB300mw*6 or R500mw*6 or G80mw*6 or B1000mw*6
Laser modulated signal: analog or TTL modulation
Type of laser: imported semiconductor solid-state laser
Laser wavelength: red 638±5nm, green 520±5nm, blue 450±5nm
Scanning angle: Y axis 240°, X axis 140°
Control mode: DMX512 signal control /self-walk/voice control/master-slave
Suitable places: show, dacing hall, club, Bar and other entertainment venues
Working environment: indoor (-30~40 degrees)
Packing : carton case



8眼摇摆全彩/单色激光帘

8 Eyes Swing Full Color
Monochrome Laser Curtain



产品参数

输入电源: AC90-240V, 50-60Hz±10%
额定功率: <200W
激光功率: RGB300mw*8 或 R500mw*8 或 G80mw*8 或 B1000mw*8
激光调制: 模拟调制或TTL调制
激光器类别: 纯固态激光器, 稳定性高, 寿命长。
激光波长: 红光638±5nm, 绿光520±5nm, 蓝光450±5nm
扫描角度: Y轴240°
控制模式: DMX512/自走/声控/主从机
适合场所: 中小型演出、酒吧剧院等场所
工作环境: 室内(零下30~零上40度)
冷却系统: 整机风机强制冷却
纸箱包装

Product parameters

Power supply: AC90-240V, 50-60Hz±10%
Rated power: max 200W
Laser power: RGB300mw*8 or R500mw*8 or G80mw*8 or B1000mw*8
Laser modulated signal: analog or TTL modulation
Type of laser: imported semiconductor solid-state laser
Laser wavelength: red 638±5nm, green 520±5nm, blue 450±5nm
Scanning angle: Y axis 240°
Control mode: DMX512 signal control /self-walk/voice control/master-slave
Suitable places: show, dacing hall, club, Bar and other entertainment venues
Working environment: indoor (-30~40 degrees)
Packing : carton case

FS 系列

FS series



产品参数

工作电压: AC100-240V 50/60Hz
功率: 60W
激光功率: 230mw-2000mw
激光波长: 绿光: 532nm或520nm
红光: 650nm或638nm 蓝光: 450nm
调制信号: TTL调制
激光颜色: 全彩色
扫描系统: 15-20kpps振镜
扫描角度: ±20°
激光图案: SD卡可扩充到几千个图案
冷却系统: 风机强制冷却
工作环境: 室内 (10-35°)

Product parameters

Operating voltage: ac100-240v 50/60hz
Power: 60 w
Laser power: 230mw-2000mw
Laser wavelength: green light: 532nm or 520nm red light: 650nm or 638nm blue light: 450nm
Modulation signal: TTL modulation
Laser color: full color
Scanning system: 15-20 KPPS vibroscope
Scanning Angle: ±20°
Laser patterns: the SD card can be expanded to thousands of patterns
Cooling system: fan forced cooling
Working environment: indoor (10-35°)

F1666/F1645



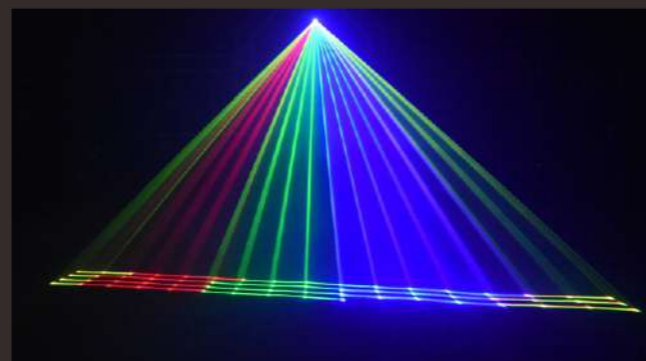
产品参数

工作电压: AC100-240V 50/60Hz
功率: 40W
激光功率: 520nm绿光80mw、638nm红光100mw、450nm蓝光150mw
激光颜色: 红绿蓝
扫描系统: 15kpps振镜
激光图案: F1666 (15组图案库, 达10000多个图案, 包含3D、光栅等5组效果)
F1645 (128个包含3D、光栅等5组效果)
控制方式: DMX-512、声控、自走、主从、摇控 (蓝牙APP选配, 另加20)
冷却系统: 风机强制冷却
通道模式: F1666 (34CHS) F1645 (23CHS)
净重: 1.8KG
包装尺寸: 345X290X165mm
包装尺寸: 905X370X315mm 5个装
工作环境: 室内 (10-35°)



Product parameters

Operating voltage: ac100-240v 50/60hz
Power: 40 w
Laser power: 520nm Green 80mw, 638nm red 100mw, 450nm blue 150mw
Laser color: red, green and blue
Scanning system: 15kpps vibroscope
Laser pattern: F1666(15 groups of pattern library, up to more than 10,000 patterns, including 5 groups of 3D, raster effect) F1645(128 pieces contain 5 groups of effects such as 3D and grating)
Control mode: dmx-512, voice control, self-walking, master-slave, remote control (optional for bluetooth APP, plus 20)
Cooling system: fan forced cooling
Channel mode: F1666(34CHS) F1645(23CHS)
Net weight: 1.8 KG
Package size: 345X290X165mm
Packing size: 905X370X315mm 5 PCS
Working environment: indoor (10-35°)



四头激光

Four head laser



产品参数

工作电压: AC100-240V 50/60Hz
功率: 40W
激光功率: 520nm绿光80mw、650nm红光100mw、450nm蓝光150mw
激光颜色: 红绿或红绿蓝黄四色或RGB全彩
扫描系统: 高精度步进电机扫描系统, 大角度扫描
控制方式: DMX-512、声控、自走
通道模式: 5CHS
冷却系统: 风机强制冷却
内装尺寸: 700X250X180mm
内包毛重: 4.7KG
外包尺寸: 720X530X410mm 4个装
外包毛重: 23.5KG
工作环境: 室内 (10-35°)



Product parameters

Power supply: 110V-220V/50-60HZ
Input Power: 40W
Laser power: 80mW/520nm Green, 100mW/650nm Red, 150mW/450nm Blue,
Laser color: RG or RGBY or RGB
Scanning system: high-precision stepper motor scanning system, large-angle scanning
Control mode: DMX-512, voice control, self-propelled
Channel mode: 5CHS
Cooling system: forced cooling by fan
inner size: 700X250X180mm inner
Gross weight: 4.7KG
Outsourcing size: 720X530X410mm 4 pieces Outsourcing
Gross weight: 23.5KG
Working environment: indoor (10-35°)



三头激光

Three head laser



产品参数

工作电压: AC100-240V 50/60Hz
功率: 40W
激光功率: 520nm绿光80mw、650nm红光100mw、450nm蓝光150mw
激光颜色: 红绿或绿蓝或RGB
扫描系统: 1.8°高精度步进电机扫描
激光图案: 25个
光栅效果: 满天星组合
控制方式: DMX-512、声控、自走
冷却系统: 风机强制冷却
通道模式: 6/10CHS
净重: 4KG
工作环境: 室内 (10-35°)



Product parameters

Operating Voltage: AC100-240V 50/60Hz
Input Power: 40W
Laser power: Green 80mw/520nm; Red 100mw/650nm; Blue 150mw/450nm
Laser color: RG or GB or RGB
Scanning system: 1.8° High precision stepper motor scanning system
Laser patterns: 25pcs
Effects: Full sky star spot and small pattern
Control mode: DMX512; sound active; auto run
Control channels: 6/10CHS
Working environment: indoor (10-35) °
Cooling system: fan
Net Weight: 4KG



双头激光

Double head laser



产品参数

工作电压: AC100-240V 50/60Hz
功率: 40W
扫描系统: 高精度步进电机扫描系统, 大角度扫描
控制方式: DMX-512、声控、自走
通道模式: 5CHS
冷却系统: 风机强制冷却
内装尺寸: 345*290*165mm
内包毛重: 3.3KG
外包尺寸: 910*370*320 4个装
外包毛重: 18.55KG
工作环境: 室内 (10-35°)

Product parameters

Operating voltage: ac100-240v 50/60hz
Power: 40W
Scanning system: high precision stepping motor scanning system, large Angle scanning
Control mode: dmx-512, voice control, self-walking
Channel mode: 5CHS
Cooling system: fan forced cooling
Inside size: 345*290*165mm
Inner gross weight: 3.3kg
Outsourcing size: 910*370*320 4 PCS
Gross weight of outsourcing: 18.55KG
Working environment: indoor (10-35°)



单头激光

Single head laser



产品参数

功率: 40W
激光功率: 520nm绿光80mw、650nm红光100mw、450nm蓝光150mw
激光颜色: RGB
扫描系统: 1.8°高精度步进电机扫描
激光图案: 25个
光栅效果: 满天星组合
控制方式: DMX-512、声控、自走
冷却系统: 风机强制冷却
通道模式: 6CHS
净重: 4KG
工作环境: 室内 (10-35°)

Product parameters

Operating Voltage: AC100-240V 50/60Hz
Input Power: 40W
Laser power: Green 80mw/520nm; Red 100mw/650nm; Blue 150mw/450nm
Laser color: RGB
Scanning system: 1.8° High precision stepper motor scanning system
Laser patterns: 25pcs
Effects: Full sky star spot and small pattern
Control mode: DMX512; sound active; auto run
Control channels: 6CHS
Working environment: indoor (10-35°)
Protection Level: IP20
Cooling system: fan
Net Weight: 4KG



单头扫描激光雨

Single-head scanning laser rain



产品参数

工作电压: AC100-240V 50/60Hz
功率: 40W
激光功率: 520nm绿光80mw、650nm红光100mw、450nm蓝光150mw
激光颜色: 红或绿或蓝
扫描系统: 1.8°高精度步进电机扫描
激光图案: 25个
控制方式: DMX-512、声控、自走
冷却系统: 风机强制冷却
通道模式: 8CHS
净重: 4KG
工作环境: 室内 (10-35°)

产品参数

工作电压: AC100-240V 50/60Hz
功率: 25W
激光功率: 520nm绿光80mw、638nm红光100-500mw、450nm蓝光150-1000mw
激光颜色: 红或绿或蓝
控制方式: 另加控制器
冷却系统: 风机强制冷却
工作环境: 室内 (10-35°)

外挂激光帘

External laser curtain



Product parameters

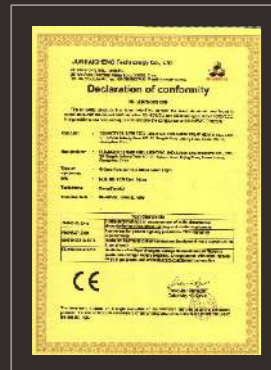
Operating Voltage: AC100-240V 50/60Hz
Input Power: 40W
Laser power: Green 80mw/520nm; Red 100mw/650nm; Blue 150mw/450nm
Laser color: R or G or B
Scanning system: 1.8° High precision stepper motor scanning system
Laser patterns: 25pcs
Control mode: DMX512; sound active; auto run
Control channels: 8CHS
Working environment: indoor (10-35°)
Protection Level: IP20
Cooling system: fan
Net Weight: 4KG

Product parameters

Operating Voltage: AC100-240V 50/60Hz
Input Power: 25W
Laser power: Green 80mw/520nm; Red 100-500mw/638nm; Blue 150-1000mw/450nm
Laser color: R or G or B
Control mode: DMX512; sound active; auto run
Working environment: indoor (10-35°)

资质证书

Qualification Certificate



导航地址：广州新感觉灯光音响设备有限公司