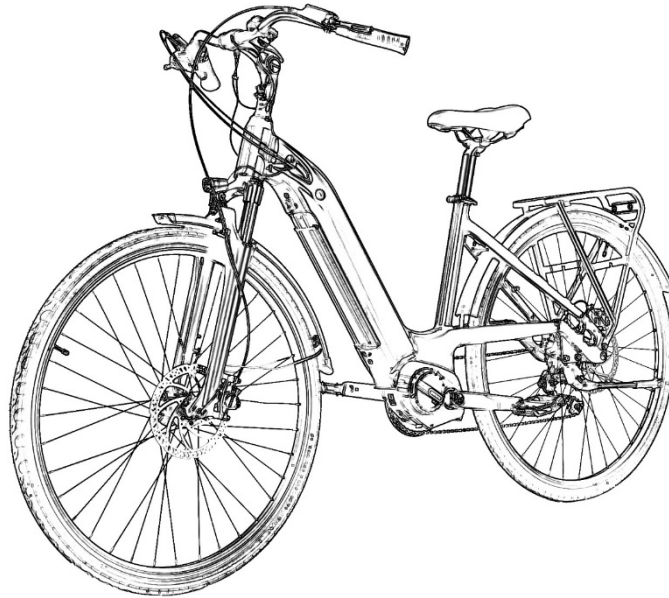


# THE Seine USER MANUAL



# Contents

- Contacting Vanpowers ..... 2
- General Warning ..... 3
- Dimensions ..... 6
- Package Contents ..... 7
- Assembly Guide
  - STEP 1: Mount the front fender .....10
  - STEP 2: Mount the front wheel .....11
  - STEP 3: Mount the basket and front light .....13
  - STEP 4: Mount the stem and handlebar .....15
  - STEP 5: Connect the display .....17
  - STEP 6: Mount the seat/bell/front and rear reflectors .....18
  - STEP 7: Mount the pedals .....19
  - STEP 8: Remove the key .....20
- Maintenance .....21
- Service Info ..... 29
- Warranty Terms ..... 31

# Contacting Vanpowers

## **Vanpowers Bike USA**

Vanpowers Bike Service Center

1120 US-22 BRIDGEWATER TOWNSHIP, NJ 08807, USA

1 (800) 819-5929

[service@vanpowers.bike](mailto:service@vanpowers.bike)

[www.vanpowers.bike](http://www.vanpowers.bike)

## **UK Authorized Representative**

HAIWAI CONSULTING LTD

113, Gloucester Place, Fly, London, England, W1U 6JR

[haiwaiconsultingltd@gmail.com](mailto:haiwaiconsultingltd@gmail.com)

07988167885

Mega Power | At Ease

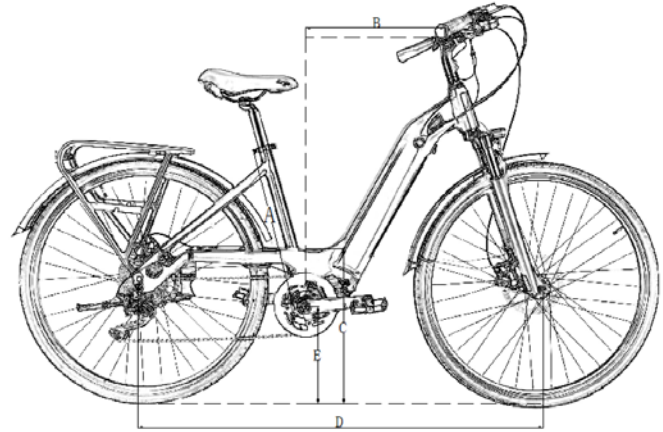
**CE** **UK** **CA** **FC** **RoHS** MADE IN CHINA



# Dimensions

Let's get into the bike's geometry.

Choosing the right size can guarantee safety and comfort when riding your electric bike. Please seek professional help if you are not sure which size fits you well.



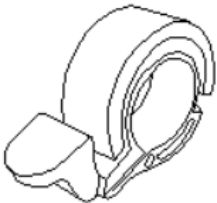
Frame Size		17.7 inches (45CM)	
Suggested Rider Height		5'5"-6'3"	165 cm-190 cm
A	Seat Tube Length	17.7 inches	450 mm
B	Reach	14.6 inches	372 mm
C	Standover Height	29.5 inches	450 mm
D	Wheelbase	46.8 inches	1093 mm
E	Bottom Bracket Height	11.8 inches	300 mm

# Package Contents

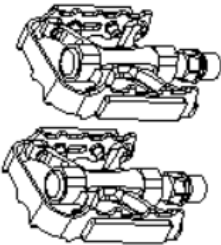
Check the entire box and make sure every single part is present.

Please open all the boxes, gently take out the parts, and check all the contents according to the information on Pages 8–9. In the case of any missing or damaged parts, please contact Vanpowers Bike Service Center.

# Accessories Box



Bell



Pedals



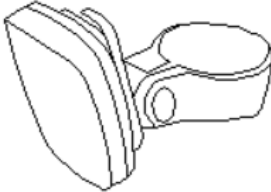
Charger



Front Reflector



Cable Ties



Rear Reflector

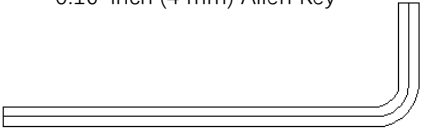
# Accessories Box



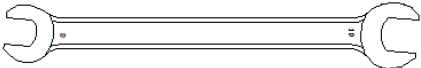
0.12-inch (3 mm) Allen Key



0.16-inch (4 mm) Allen Key



0.24-inch (6 mm) Long Allen Key



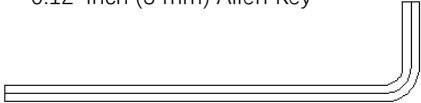
8-10 open-end Wrench



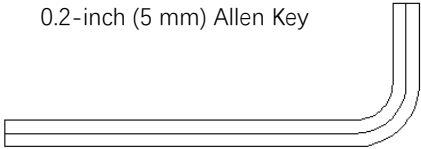
Phillips Screwdriver



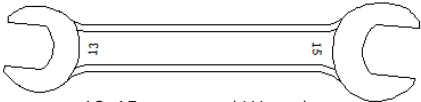
0.12-inch (3 mm) Allen Key



0.2-inch (5 mm) Allen Key



0.32-inch (8 mm) Long Allen Key



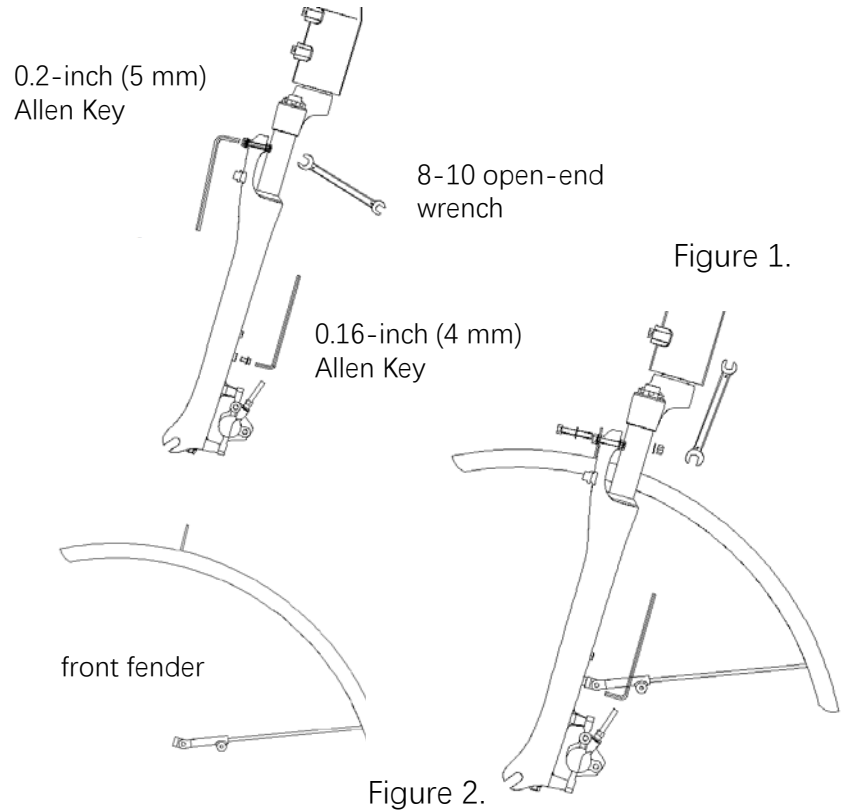
13-15 open-end Wrench

# Assembly Guide

## STEP 1: Mount the front fender

1. Remove the bolts on the fork with 4 mm and 5 mm Allen keys and 8-10 open-end wrench, as shown in Figure 1.

2. Mount the front fender on the fork, then tighten the bolts back, as shown in Figure 2.





# Assembly Guide

## STEP 2: Mount the front wheel

1. Remove the quick release lever from in between the forks.

2. Mount the front wheel on the fork, then insert the quick release lever on the same side as the brake rotor, as shown in Figure 3.



quick release lever

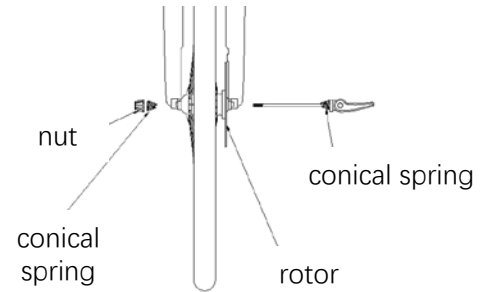


Figure 3.

# Assembly Guide

3. Tighten the quick release lever clockwise.  
Adjust the direction of the quick release handle to the position as shown in Figure 4.

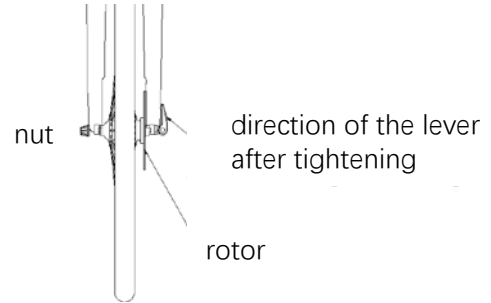


Figure 4.

## *Tips:*

- Test the tension by opening the lever again. If it is easy to open, tighten the quick release lever further and try again. Make sure the wheel is on securely.
- Do not over-tighten the lever, as this can cause malfunction.

# Assembly Guide

## STEP 3: Mount the basket and front light

1. Remove the 4 bolts on the head tube with the 5 mm Allen key, as shown in Figure 5.

0.2-inch (5 mm)  
Allen Key

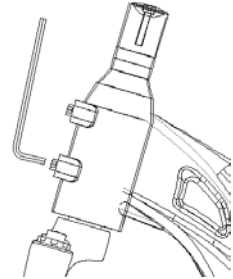


Figure 5.

2. Mount the basket on the head tube, then tighten the 4 bolts with the 5 mm Allen key, as shown in Figure 6.

0.2-inch (5 mm)  
Allen Key

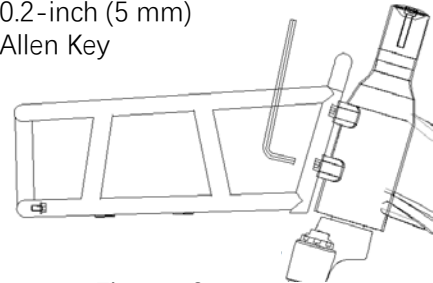


Figure 6.

# Assembly Guide

3. Remove the bolts on the basket with the 4 mm Allen key, as shown in Figure 7.

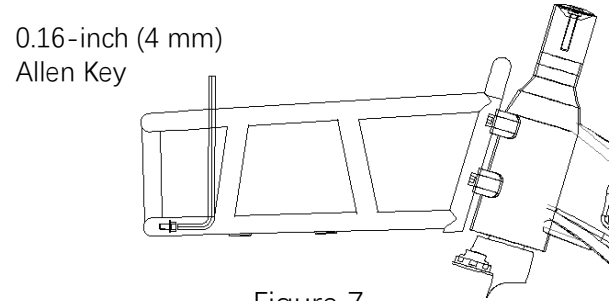


Figure 7.

4. Take off the front light that is tied on the frame and mount it on the basket with 4 mm Allen key, as shown in Figure 8. Then, tie the light cables to the bottom of the basket with the cable.

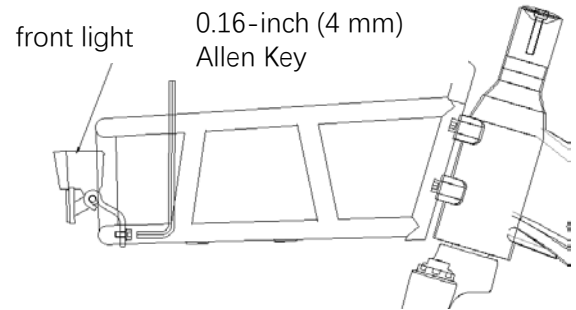


Figure 8.

# Assembly Guide

## STEP 4: Mount the stem and handlebar

1. Remove the bolt on the fork with the 5 mm Allen key, then take off the top cap and alloy-sleeve and discard them, as shown in Figure 9.

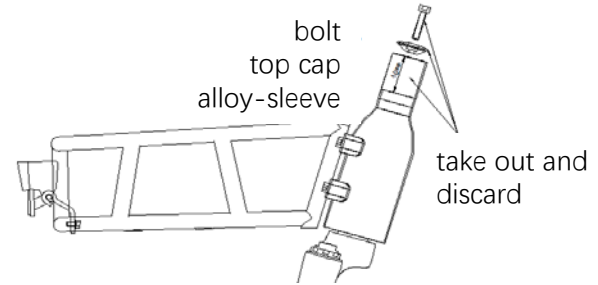


Figure 9.

2. Mount the stem on top of the fork, then open the clamp on the handlebars by sliding the switch in the direction of the arrow and lifting the latch, as shown in Figure 10.

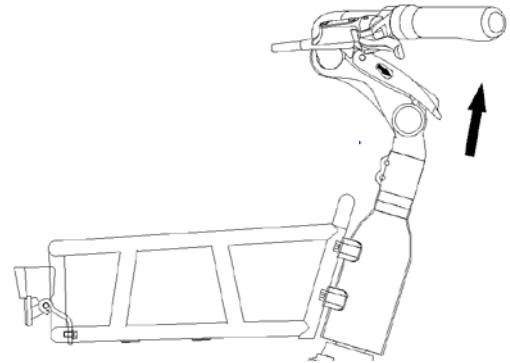


Figure 10.

# Assembly Guide

3. Slide the handlebars onto the stem, angle the handlebars up/down, use the 5 mm Allen key to tighten the stem bolt down inside the tube, as shown in Figure 11.

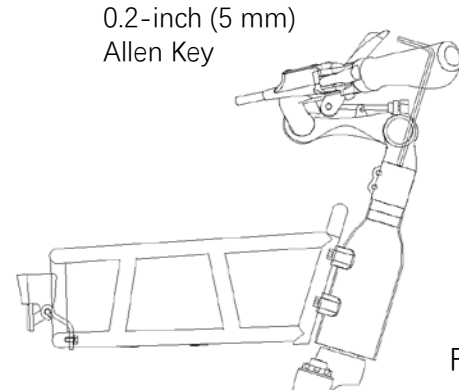


Figure 11.

4. Stand in front of the bike and make sure the handlebars are perpendicular to the two wheels and parallel with the ground, then close the clamp, as shown in Figure 12.

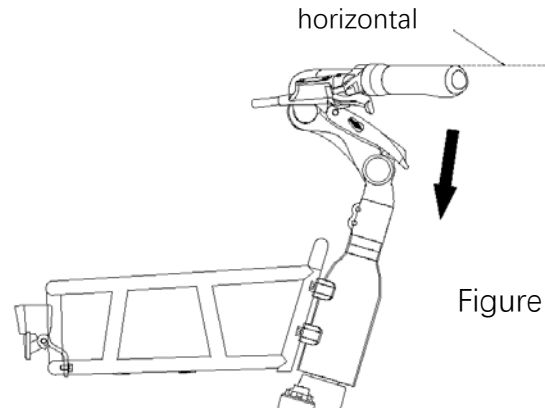


Figure 12.

# Assembly Guide

5. Use the 4 mm Allen key to alternately tighten the 2 bolts on the side of the handlebar stem until fully locked, as shown in Figure 13.

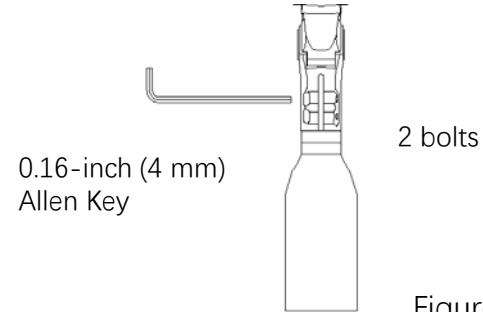


Figure 13.

## STEP 5: Connect the display

1. Plug the display cable (green) into the display port (green).

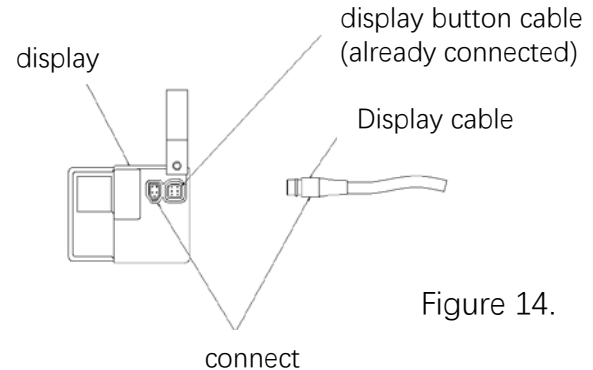


Figure 14.

# Assembly Guide

STEP 6: Mount the seat/bell/front and rear reflectors

1. Adjust the seat so that it is at a comfortable height, and make sure the seat is pointing towards and perpendicular to the handlebars.

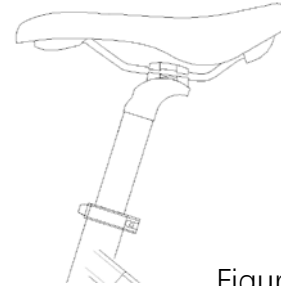


Figure 15.

2. Take out the bell/front reflector/rear reflector and Phillips screwdriver from the accessories box. Fix the transparent front reflector and bell to the right of the handlebars.

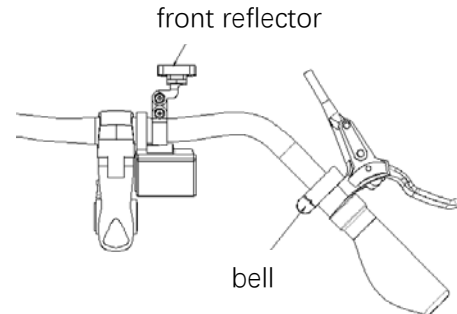
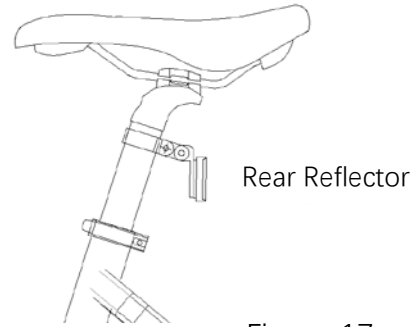


Figure 16.



# Assembly Guide

3. Fix the red rear reflector to the seat post, as shown in Figure 17.



Rear Reflector

Figura 17.

## STEP 7: Mount the pedals

1. Check the end cap on both pedals and find the letter L on the left pedal and the letter R on the right pedal.

# Assembly Guide

2. Mount the left pedal on the left crank and tighten **counterclockwise** with the 15 mm end of a 13-15 open-end wrench. Mount the right pedal on the right crank and tighten **clockwise** with the 15 mm end of a 13-15 open-end wrench. As shown in Figure 18.

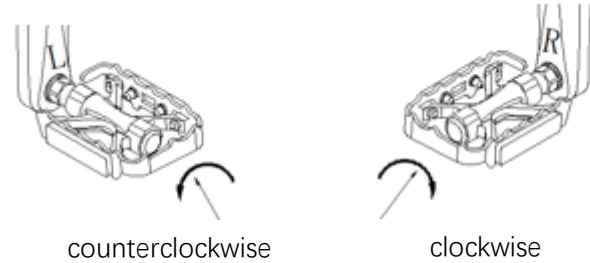


Figure 18.

## STEP 8: Remove the key

Remove the key from the front of the handlebars and keep it after you finish the assembly.

The key will not affect the use of this electric bicycle; it can only be used when the battery is removed. Please keep it safe.