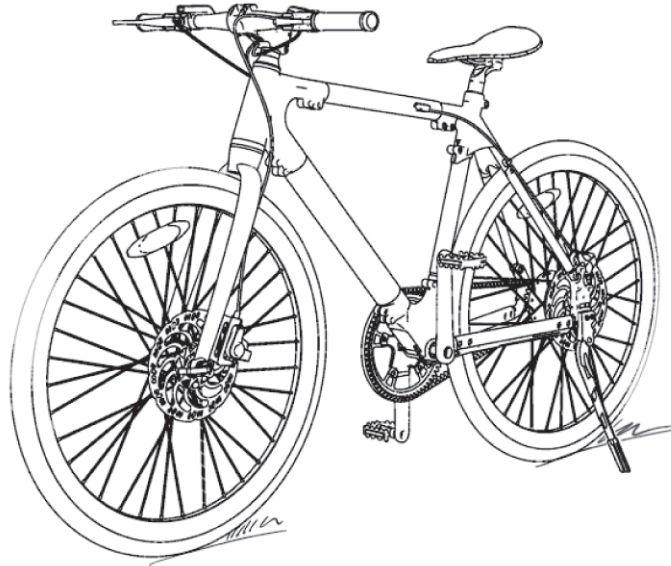


# THE City Vanture USER MANUAL



**VANPOWERS**



# Contents

Package Contents .....	2
Contacting Vanpowers .....	8
General Warning .....	9
Dimensions .....	12
Assembly Guide	
STEP 1: Install the frame .....	13
STEP 2: Install the fork and handlebar .....	30
STEP 3: Install the seat and insert the seat post .....	33
STEP 4: Install the crank and chainwheel .....	36
STEP 5: Install the rear wheel and the belt .....	37
STEP 6: Connect motor cable and fix the cable guide .....	45
STEP 7: Install the rear brake .....	47
STEP 8: Install the kickstand .....	51
STEP 9: Install the front wheel .....	52
STEP 10: Install the brake lever .....	54
Install the brake lever (Tektro brake) .....	55
Install the brake lever (Magura brake) .....	56
STEP 11: Cable management .....	57
STEP 12: Install the pedals .....	59
STEP 13: Adjust the handlebar angle .....	60
STEP 14: Adjust the saddle angle and seat tube height .....	61
Maintenance .....	63
Service Info .....	71
Warranty Terms .....	73

# Package Contents

Check the entire box and make sure every single part is present.

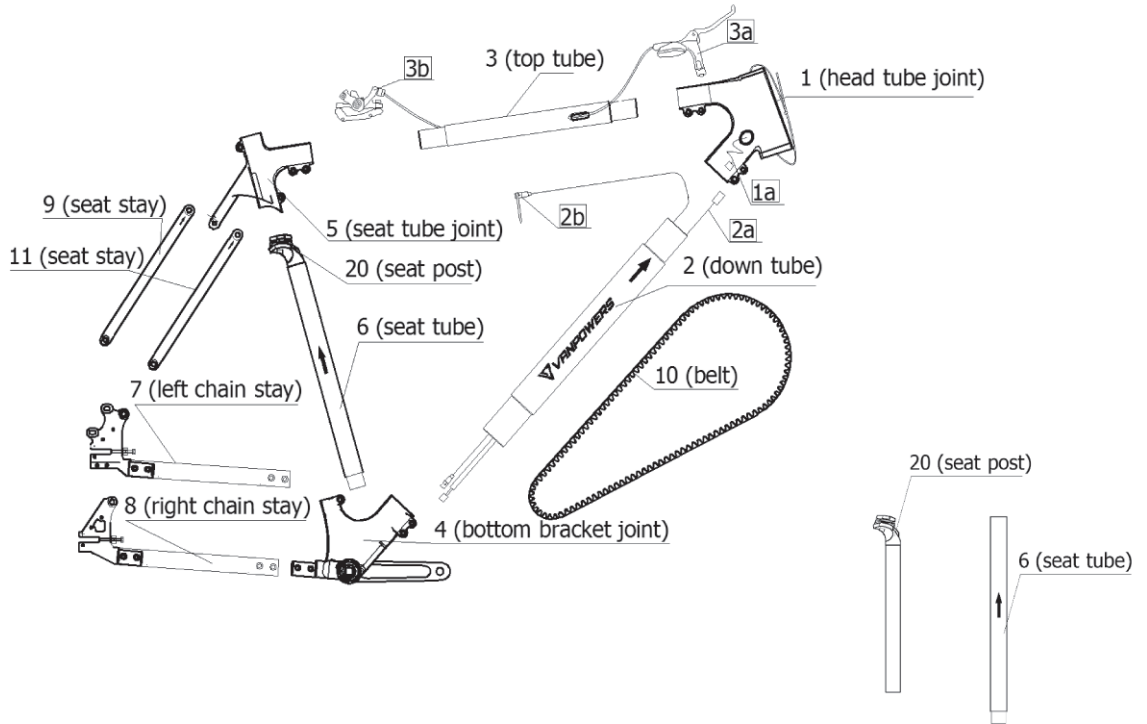
Please open all the boxes, gently take out the parts, and check all the contents according to the information on Pages **3-6** . In the case of any missing or damaged parts, please contact Vanpowers Bike Service Center.

# 1. Bike Parts

The bike parts include 20 elements in total. There is a number label on each element and an arrow label on some elements. Please keep these labels on until the end of the installation.

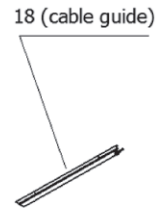
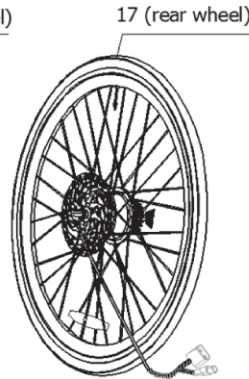
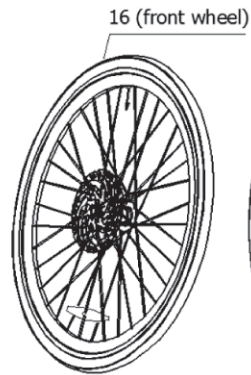
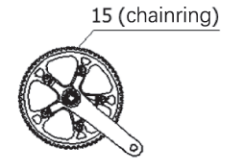
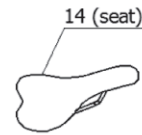
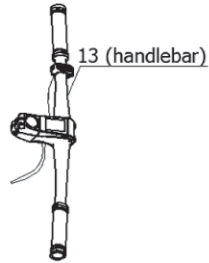
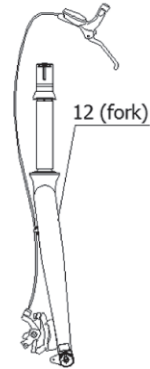
## Notes:

- Part 4 is packed separately in a box. Please pull off the black cap on the box and discard.
- Please leave the tape on Part 6 until the end of the installation.
- Part 20 is inside Part 6.



# 1. Bike Parts

Note: Part 17 is the rear wheel with a cable.



## 2. Accessories Box



Bell



Pedals



Charger



Charger manual



Front reflector



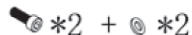
Crank bolt M8



Grip end caps, only use for tektro brake version



Rear reflector



Kickstand bolts M6\*18 M6 washers



Top-tube cable entrance



Front cable chips



Display manual



R-gasket bolts M4\*12



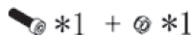
C-chip



Brake manual



Cable guide bolts M2.5\*4



Frame spare bolt M6\*22 Frame spare nut M6



Cable guide spare bolt M2.5\*4



Belt manual

## 2. Accessories Box



0.12inch (3 mm) Allen Key



0.16 inch (4 mm) Allen Key



0.16 inch (4 mm) Allen Key



0.20 inch (5 mm) Long Allen Key



0.24 inch (6 mm) Long Allen Key



0.32 inch (8 mm) Long Allen Key



T25 Torx Key (Only for Magura Brake)



Phillips Screwdriver



19 Open-End Combination Wrench



13-15 Open-End Wrench



### 3. Bike Parts Appendix

In the following installation manual, abbreviations will be used to represent component names. See the following Table for details

<b>NO.</b>	<b>ITEM</b>	<b>REFERENCE</b>
1	Head tube joint	Part 1
2	Down tube	Part 2
3	Top tube	Part 3
4	Bottom bracket joint	Part 4
5	Seat tube joint	Part 5
6	Seat tube	Part 6
7	Left chain stay	Part 7
8	Right chain stay	Part 8
9	Seat stay	Part 9
10	Belt	Part 10
11	Seat stay	Part 11
12	Fork	Part 12
13	Handlebar	Part 13
14	Seat	Part 14
15	Chain ring	Part 15
16	Front wheel	Part 16
17	Rear wheel	Part 17
18	Cable guide	Part 18
19	Kickstand	Part 19
20	Seat post	Part 20

# Contacting Vanpowers

## Vanpowers Bike USA

Vanpowers Bike Service Center

1120 US-22 BRIDGEWATER TOWNSHIP, NJ 08807, USA

1 (800) 819-5929

[service@vanpowers.bike](mailto:service@vanpowers.bike)

[www.vanpowers.bike](http://www.vanpowers.bike)

Mega Power | At Ease

CE UK CA FC **RoHS** MADE IN CHINA



# General Warning



CAUTION: Wear a protective helmet!

To reduce the risk of injury, wear a suitable helmet when riding!



Risk of accident and injury

- Incorrect operation of the bicycle due to insufficient knowledge may cause an accident. Please familiarize yourself with the features of the bike before riding.
- Familiarize yourself with the brake lever in advance if you are not sufficiently aware of the front and rear brakes' placement. Please also adjust accordingly before riding.
- Please make sure the brakes are properly adjusted and function well.



CAUTION: Hardware may not be fully tightened, including but not limited to bolts, nuts, the front hub shaft, the rear wheel, steering mechanisms (handlebar, stem), the brake system, the driving system, pedals, etc.

To reduce the risk of injury, ensure that all bike hardware is locked tightly and correctly into position and that there is no loss of equipment, breakage, or other types of damage.

# General Warning



CAUTION: This bike is designed for adults. Children may only ride under the supervision of adults.

To reduce the risk of accident and injury, make sure that the bike and any of its structures are not within the reach of children under the age of 3.



CAUTION: Component breakage due to improper use of the bicycle may occur.

Risk of accident and injury!

- Do not ride over ramps or mounds with the bicycle.
- Do not ride this bicycle in cross-country cycling.
- Do not ride the bicycle over stairs, rocks, or other steps with a height greater than 15 cm.



Improper additions or alterations to the bicycle and incorrect accessories can cause the bicycle to malfunction.

To reduce the risk of accident and injury, do not add any extra accessories that are not purchased from the seller or without getting permission from the seller, including but not limited to child safety seats, trailers, etc.

# General Warning



CAUTION: Do not ride the bicycle in a risky way.

To reduce the risk of accident and injury, ride the bicycle only in the correct way. Make sure you are able to control the bike, and do not try dangerous actions, including but not limited to riding with no hands, jumps, and wheelies.



DANGER: Lack of bicycle maintenance presents risk of accident and injury

Check the bike before every ride, including but not limited to brake function, tire wearing and PSI, bolt and nut condition, steering, and spokes tension.

If you hear any abnormal noise while riding, stop immediately and check the entire bike.



CAUTION: Ensure full compliance with local law.

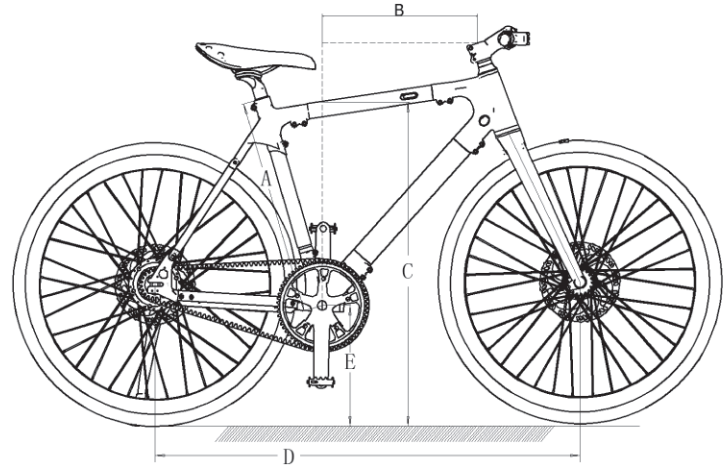
Risk of fines and confiscation!

Before riding the bike, make sure the bike aligns with the standards of your local law.

# Dimensions

Let's get into the bike's geometry.

Choosing the right size can guarantee safety and comfort when riding your electric bike. Please seek professional help if you are not sure which size fits you well.



Frame Size		21 inches (53 cm)	
Suggested Rider Height		5'8"–6'3"	170 cm–190 cm
A	Seat Tube Length	21 inches	533 mm
B	Reach	15.3 inches	389 mm
C	Standover Height	31.9 inches	810 mm
D	Wheelbase	40.7 inches	1034 mm
E	Bottom Bracket Height	11.4 inches	290 mm

# Pre-assembly Notice

1. Please strictly follow the installation steps in the manual. Considering that some users are not professionals in the industry of electric bikes, this manual tries not to use professional terms. For anything you don't understand, please contact customer service or seek professional help.
2. In the process of tightening all screws, it is necessary to ensure that the screw and nut threads are completely fitted, otherwise it will cause screw slip, and certain parts of the frame will not be able to be closely connected.
3. If you can complete all the steps independently only by reading the manual, it shows that you are an advanced electric bicycle enthusiast.

# Pre-assembly Notice

4. Please carefully observe the installation directions of the pre-installation locking screws on Part 1, Part 4, and Part 5. If they fall out during installation, please reinstall them in the direction shown in Figure 0. Notice that the bevel of the hexagonal nuts faces outward, as shown in Figure 0.

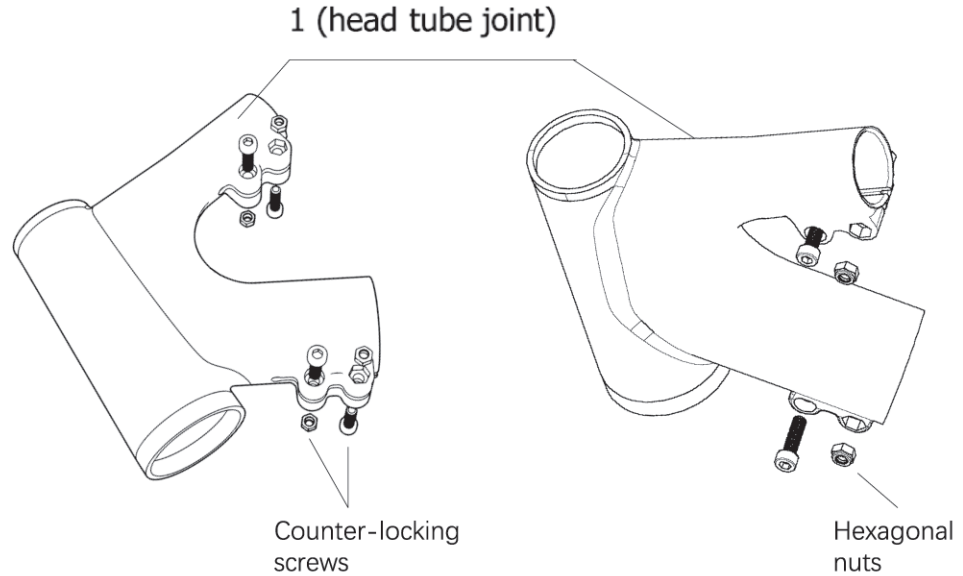


Figure 0.



# Assembly Guide

## STEP 1: Install the frame

1. Find Parts 1–11 and place them as shown in Figure 1.

- a. Take Part 20 out from Part 6.
- b. Point Part 3-3a towards Part 1.
- c. Point the arrow on Part 2 towards Part 1.
- d. Please point the arrows of Part 9 and Part 11 towards Part 5.

Note: Part 3-3a is the brake lever.

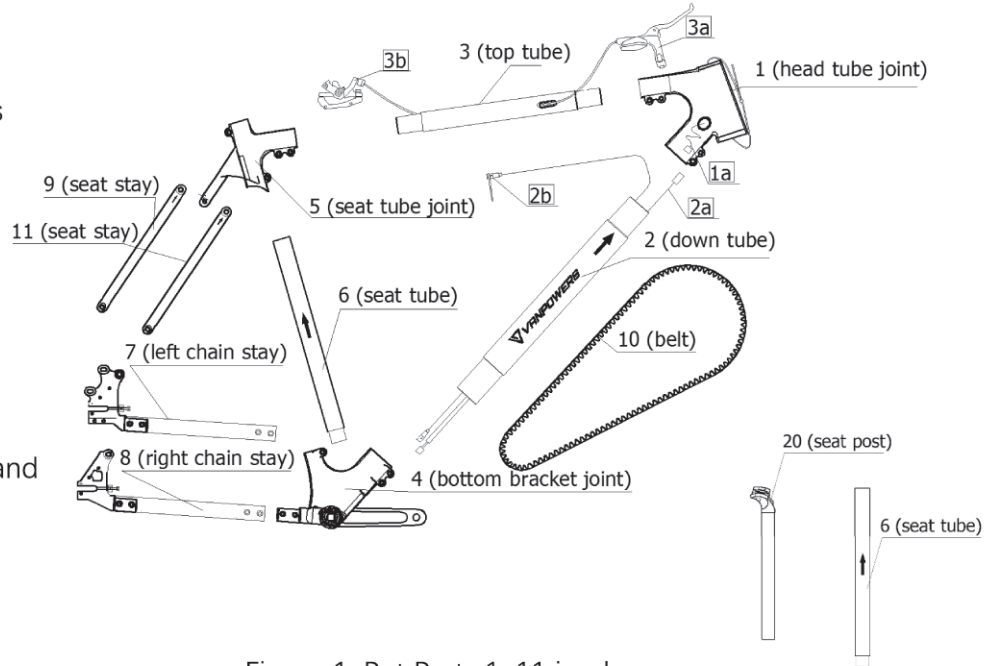


Figure 1: Put Parts 1–11 in place.

# Assembly Guide

2. Connect Part 1 and Part 2.

a. Make sure the charging port on Part 1 faces you, as shown in Figure 2.

b. Thread Part 2-2b (with the cable tie on it) through Part 1-1b, as shown in Figure 3.

Tip: Please leave the cable tie on, as it will be used for further steps.

c. Pull out the charging spring cable (1a) from Part 1, pair it with the charging cable (2a), and make sure they are fully connected, as shown in Figure 3.

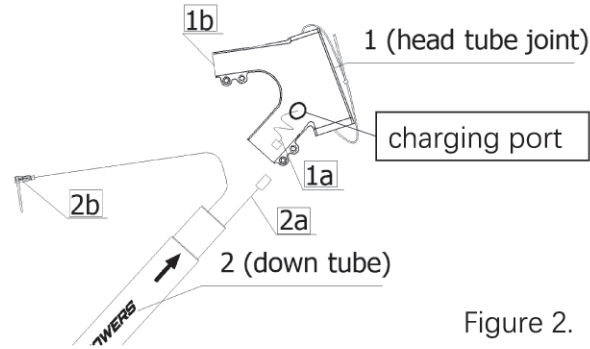


Figure 2.

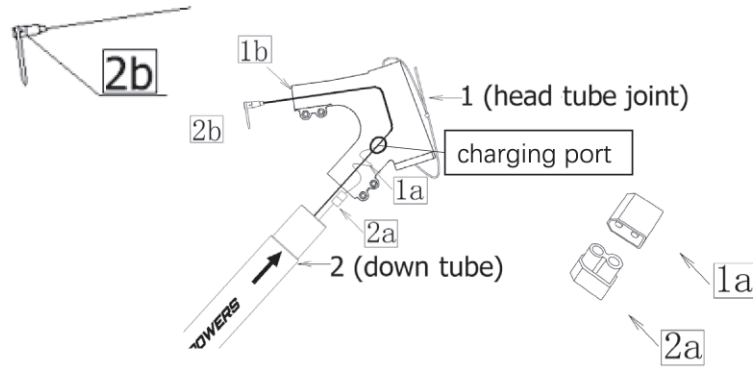


Figure 3.

# Assembly Guide

d. Insert Part 2 into Part 1 but do not tighten the bolts, Ⓐ and ⓐ , that have already been installed on Part 1 yet, as shown in Figure 4.

Note: Make sure the logo on Part 2 and the charging port on Part 1 are in a direct line.

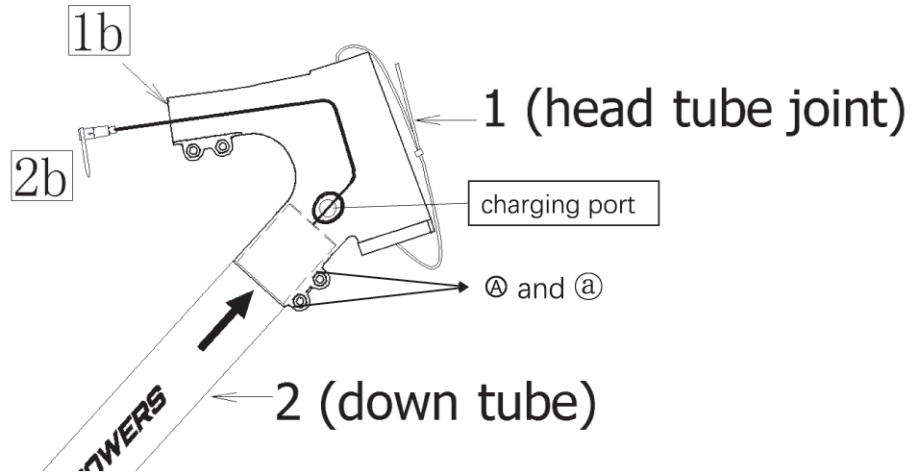


Figure 4. Insert Part 2 into Part 1

# Assembly Guide

3. Connect Part 1 and Part 3.

a. With the help of the cable tie on 2b, thread Part 2b out of the cable hole on Part 3, as shown in Figure 5. Now you can remove the cable tie. Be careful with the plug.

b. Insert Part 3 into Part 1 but do not tighten bolts ③ and ④ yet, as shown in Figure 6.

Note: Please make sure the cable hole is parallel with the alignment of the logo and the charging port.

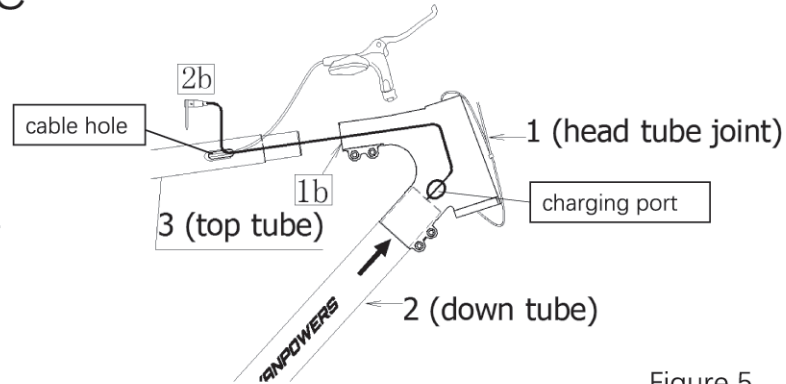


Figure 5

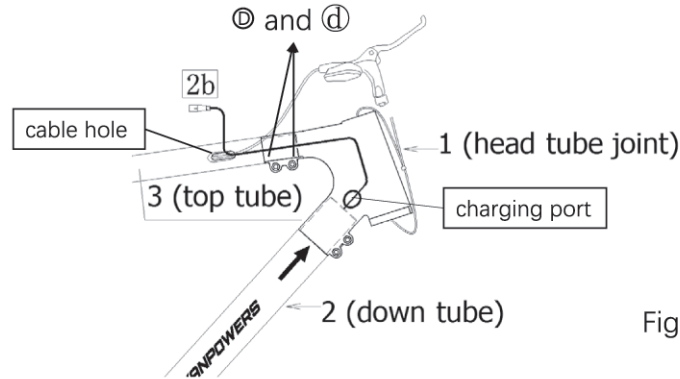


Figure 6

# Assembly Guide

## 4. Connect Part 2 and Part 4.

a. Use a 3 mm Allen key to remove the 4 bolts and remove the cover (4a) from Part 4, as shown in Figure 7.

Note: Don't lose the 4 bolts and cover (4a).

b. Turn Part 4, as shown in Figure 8-1. Insert Part 2 into Part 4 while threading the cables from Part 2 through and out of the rectangular hole in Part 4, as shown in Figure 8-2.

Note: Do not tighten bolts ③ and ④ on Part-2 yet.

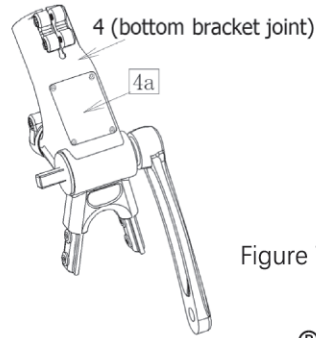


Figure 7.

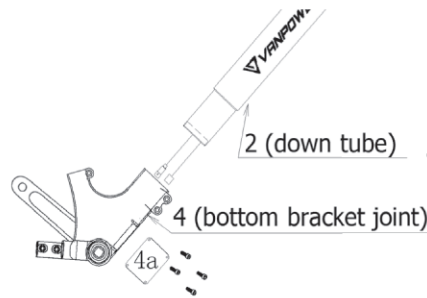


Figure 8-1.

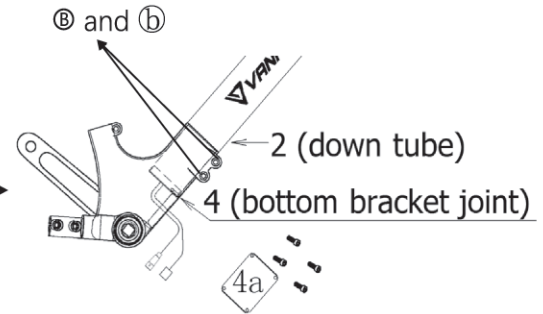


Figure 8-2.

# Assembly Guide

5. Connect Part 5 and Part 6.

a. Make sure that you have already take Part 20 out from Part 6, as shown in Figure 9.

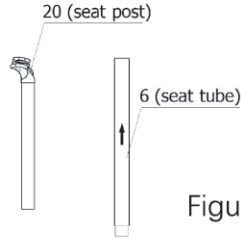


Figure 9.

b. Insert Part 6 into Part 5 in the direction of the arrow on Part 6, as shown in Figure 10-1.

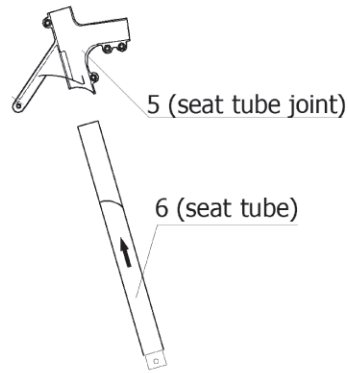


Figure 10-1.

c. Adjust the height of Part 6 and position it about 30 mm higher than Part 5, as shown in Figure 10-2.

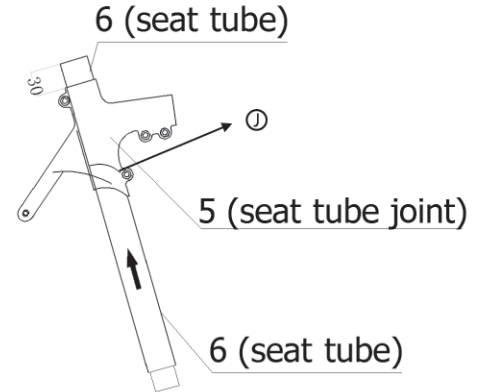


Figure 10-2.

Note: Do not tighten screw ① first, as it has already been pre-installed on Part 5.

# Assembly Guide

6. Connect Part 5 and Part 3.

a. Insert Part 3 into Part 5, as shown in Figure 11.

Note: Don't tighten bolts © and © yet.

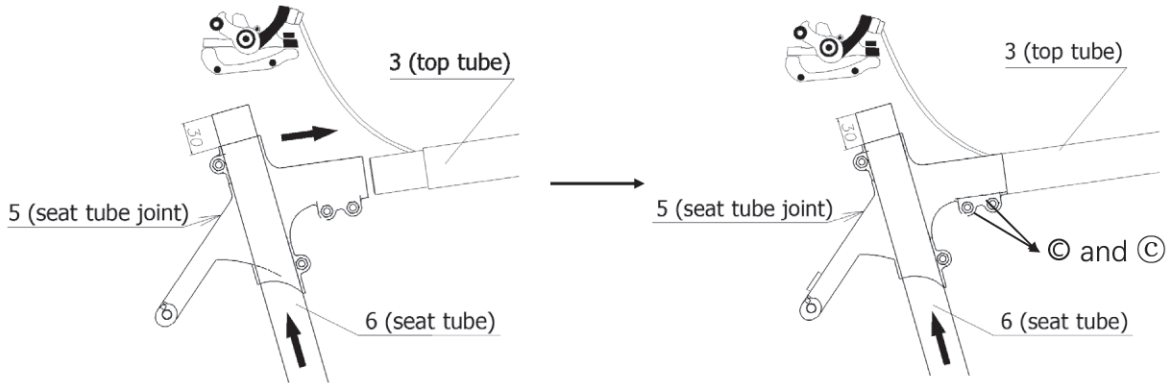


Figure 11.

# Assembly Guide

7. Connect Part 6 and Part 4.

a. Look at the frame from the back and adjust the angle of Part 6 and Part 4 so that they are in a straight line, as shown in Figure 12.

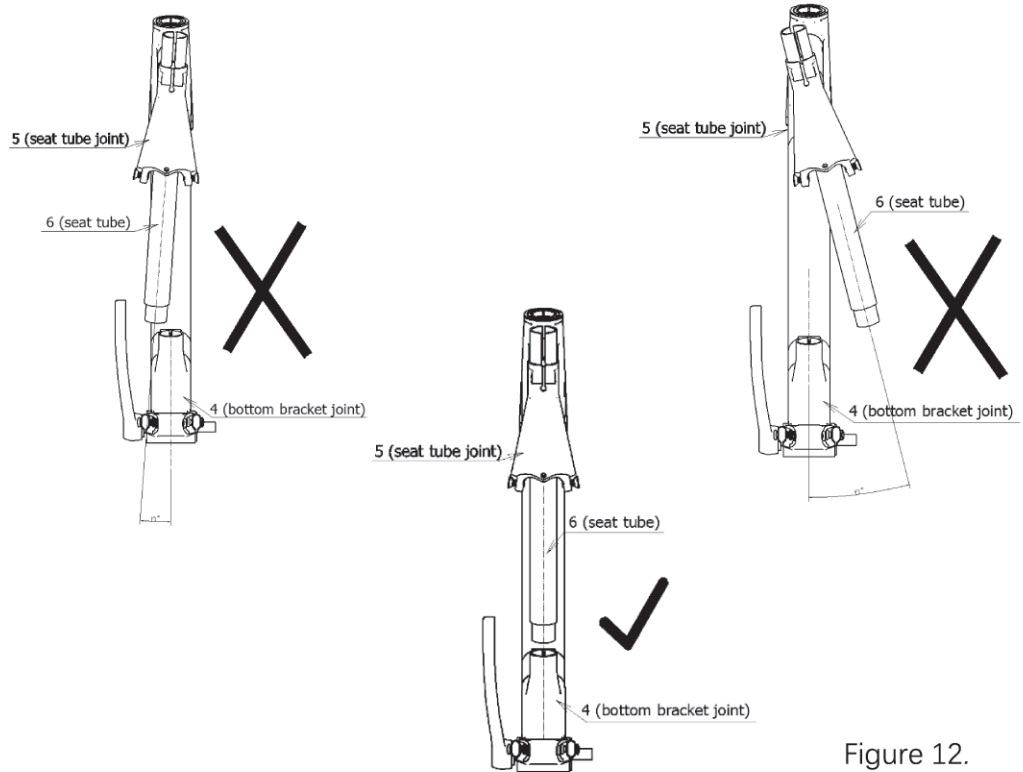


Figure 12.



# Assembly Guide

b. Insert Part 6 into Part 4 until there is no gap between them, as shown in Figure 13. Do not lock screw © yet.

Note: When inserting Part 6 into Part 4, rotate Part 6 and gently push it down at the same time. The 30 mm from Part 6 visible through Part 5 from the last step will be no longer visible after inserting Part 6 snugly into Part 4.

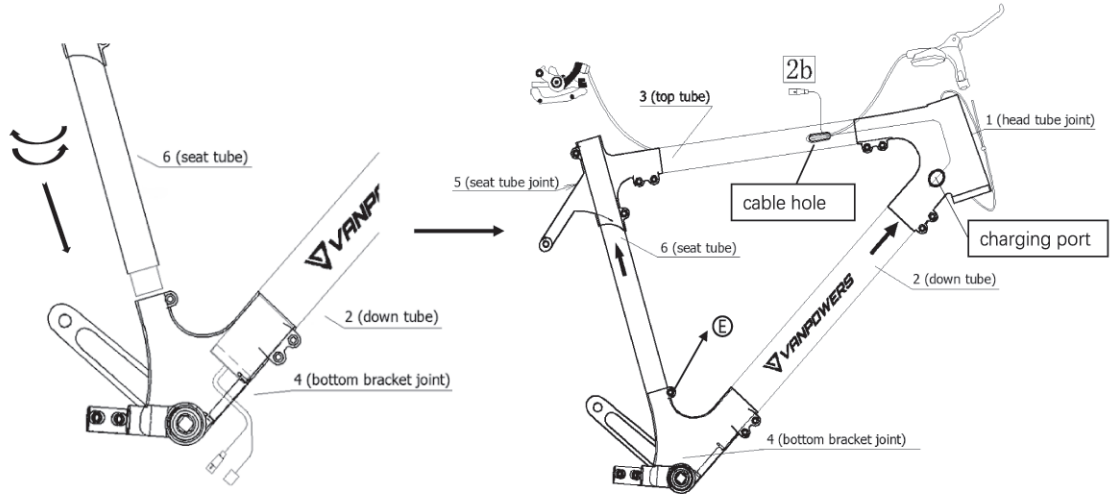


Figure 13.

# Assembly Guide

8. Tighten the bolts on the front triangle.

a. Follow the instructions below before tightening the screw :

a-1. Confirm that the charging port of Part 1, the logo of Part 2, the cable hole of Part 3, and the arrow of Part 6 are on the same plane, as shown in Figure 14-1.

a-2. As shown in figure 14-1, position the frame upright, look it from the back, and confirm that the slots of Part 6 and Part 5 coincide, as shown in Figure 14-2.

Tip: If they do not coincide, turn Part 6 slightly until the slots overlap. It is normal if the upper ends of Part 6 and Part 5 are not lush.

b. Make sure there is no gap between Part 1 and Part 6. If there is, press it hard until it is seamless.

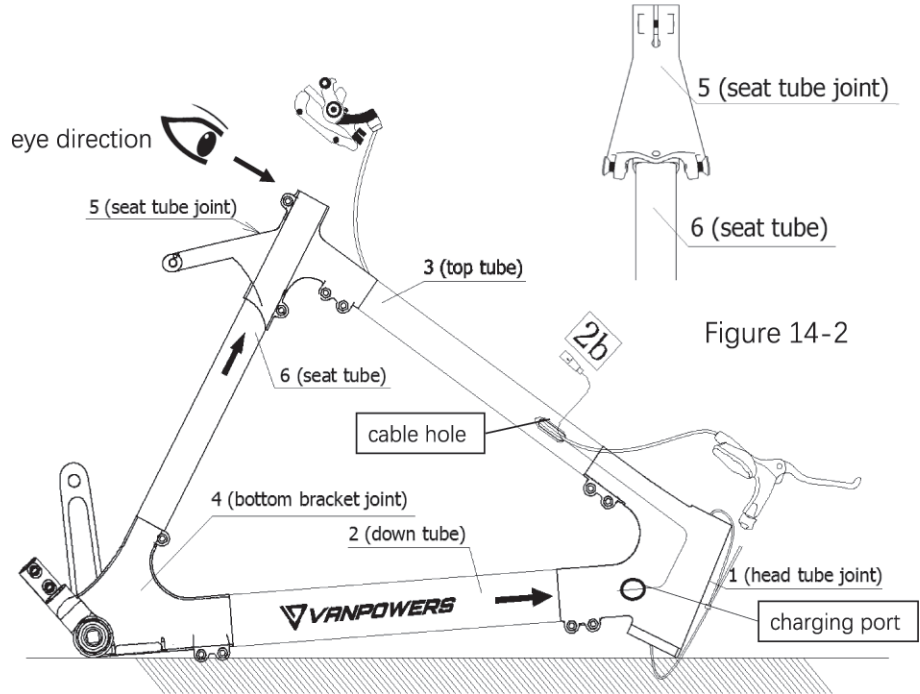


Figure 14-1.

# Assembly Guide

c. As shown in Figure 15, erect the frame with the charging port on the head tube at the top. Use the frame's weight to tighten the connections between various components.

d. Reconfirm that the direction of the logo on Part 2 and the direction of Part 3 are on the same plane.

e. Reconfirm that there is no gap visible to the naked eye at the connection of each component. If a gap is found in the process of tightening the screw, squeeze it hard until the gap disappears.

f. After the above operations are completed according to the requirements, tighten the screws in turn according to the sequence of the instruction diagram,  $A \rightarrow B \rightarrow C \rightarrow D \rightarrow a \rightarrow b \rightarrow C \rightarrow d$ , and recurrently tighten at least 5 times until fully tightened.

Note: in the process of tightening, you will find that after a cycle, the previously tightened screws can continue to be tightened. This is normal. According to experience, it needs to be tightened for at least 5 cycles.

## g. Tighten bolt ⑥.

⚠ CAUTION: Tightening the frame is very important, as it is related to ride safety. Please follow the operation requirements. If you can't finish these steps yourself, please seek professional help.

Notes:

- Make sure that the torque of all the bolts is no less than 20 N·m
- The Allen key needs to be pushed all the way into the hexagon screw head and then turned in order to prevent it from slipping.

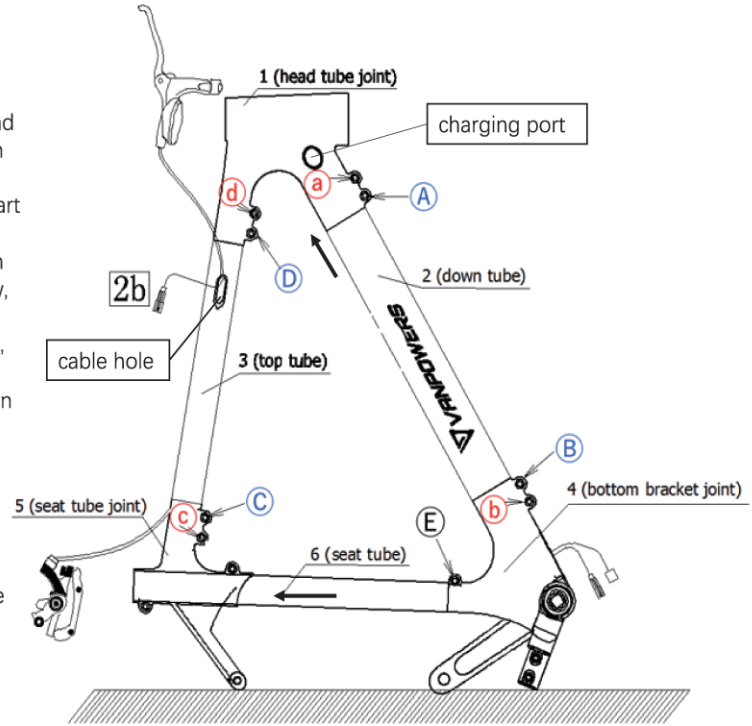


Figure 15: Position the front triangle upright. Lock the bolts by the sequence  $A \rightarrow B \rightarrow C \rightarrow D \rightarrow a \rightarrow b \rightarrow C \rightarrow d$  at least 5 times, **then tighten the last bolt ⑥.**

# Assembly Guide

9. Connect Part 7 and Part 8 to Part 4.

a. Turn the bike as shown in Figure 16-1. With the help of **two** 4 mm Allen keys, remove the four pre-locked bolts ⊗ on Part 4.

Tip: screw ⊗ is a socket screw. If only one 4 mm Allen key is used, it may slip. Use two 4 mm Allen keys, one for fixing and the other for rotating. It is easier to remove the screw and affix it more tightly when installing the screw. Please refer to Figure 16-3 for operation methods.

b. Insert Part 7 and Part 8 into Part 4, as shown in Figure 16-1.  
Note: Part 7 and Part 8 are different, and Part 7 is the left side.

c. Lock back the four bolts ⊗, but do not tighten them yet. Make sure that Part 7 and Part 8 still have a bit of movement and can be tightened later, as shown in Figure 16-2.  
Note: The socket part of the socket screw needs to be inside Part 7 and Part 8, as shown in Figure 16-3.

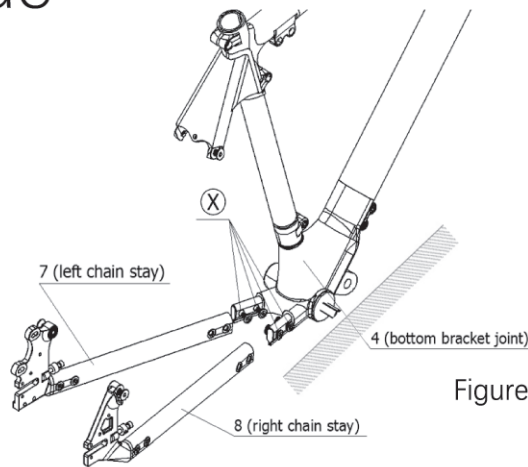


Figure 16-1.

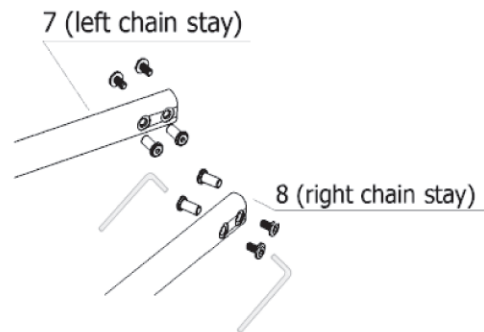


Figure 16-3.

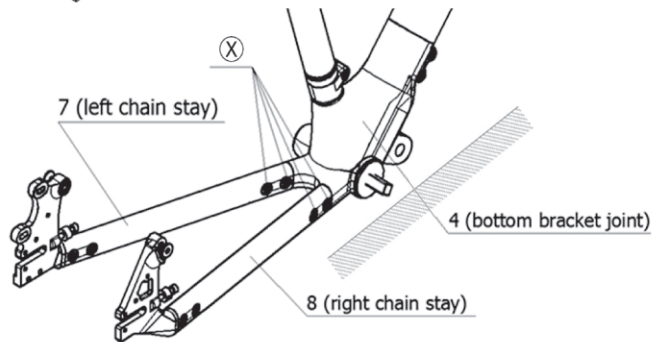


Figure 16-2.

# Assembly Guide

10. Place the belt.

a. Cross Part 10 into Part 8, as shown in Figure 17.

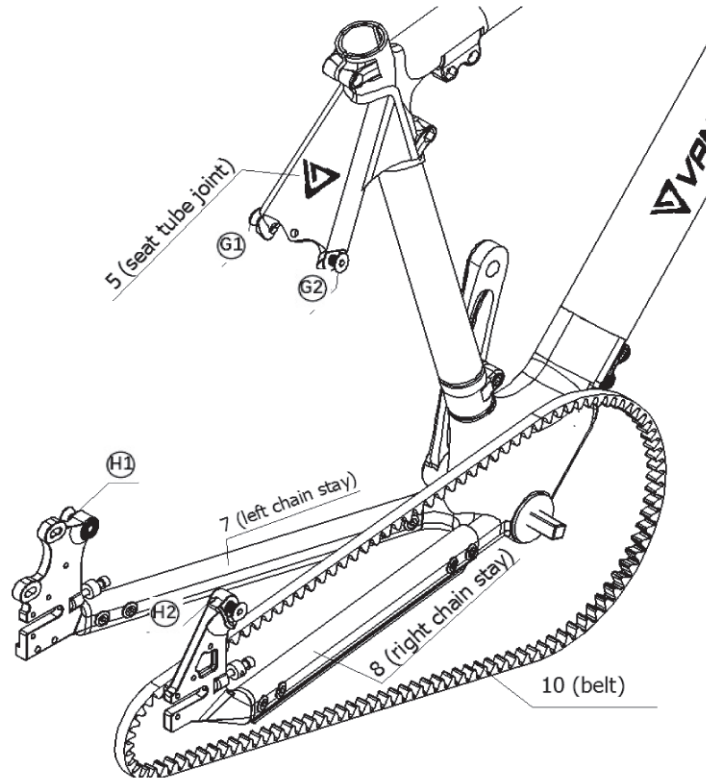


Figure 17.

# Assembly Guide

11. Connect Part 9 and Part 11 to Part 5.

a. Use a 5 mm Allen key to remove the pre-locked bolts, **G1**, **G2** and **H1**, **H2**. Please note that the lengths are different and ensure the correct installation direction of the H1 and H2 nuts, as shown in Figure 18-1.

b. Install Part 9 and Part 11, as shown in Figure 18-2. Pre-lock **G1**, **G2** and **H1**, **H2** back into their original positions, as shown in Figure 18-2. Don't tighten the bolts yet; just make sure that they don't fall.

Note: When installing Part 9 and Part 11, they may need to be installed with force, which is normal.

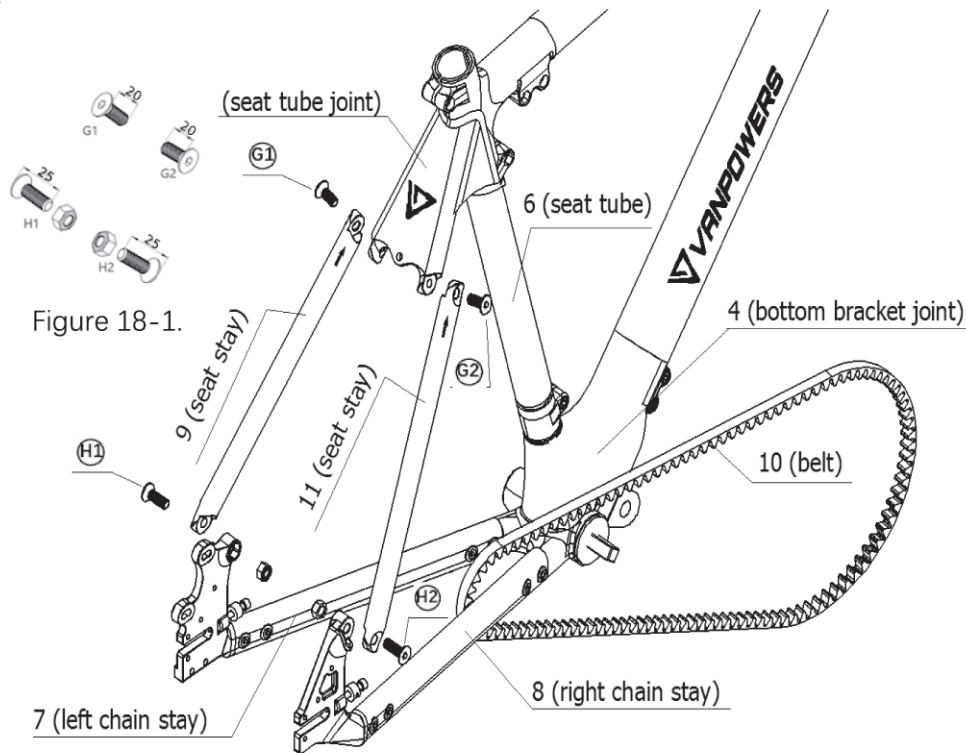


Figure 18-1.

Figure 18-2.



# Assembly Guide

## STEP 2. Install the fork and handlebar

a. Remove the tie from Part 1, as shown in Figure 20-1.

Note: The bearing installed in Part 1 may fall off, which is normal because it needs to be able to rotate flexibly. If it falls off, you can re-install it. The side of the bearing bevel needs to face Part 1; keep it horizontally level and install it back into Part 1, as shown in Figure 20-2.

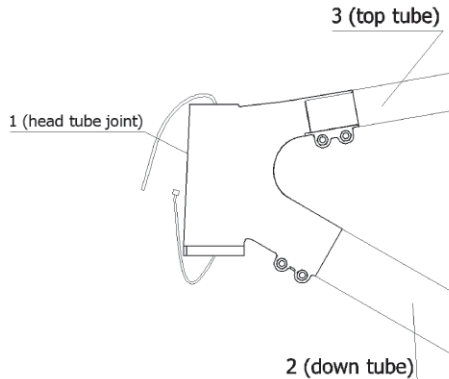


Figure 20-1.

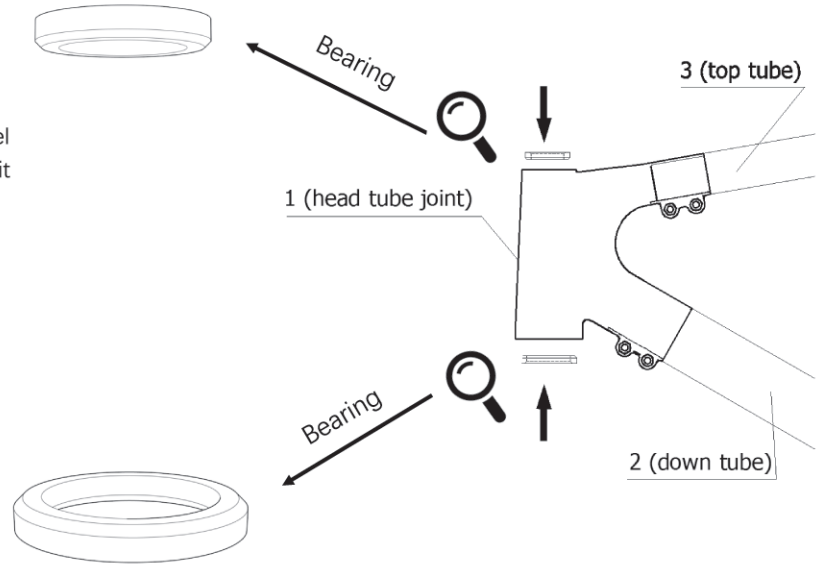


Figure 20-2.



# Assembly Guide

b. Remove Part 12-1, which is a small black rubber stopper.

c. Use a 5 mm Allen key to remove the bolt (Part 12-2), remove all the parts from the fork one by one, and then discard Part 12-4 and Part 12-9, as shown in Figure 21.

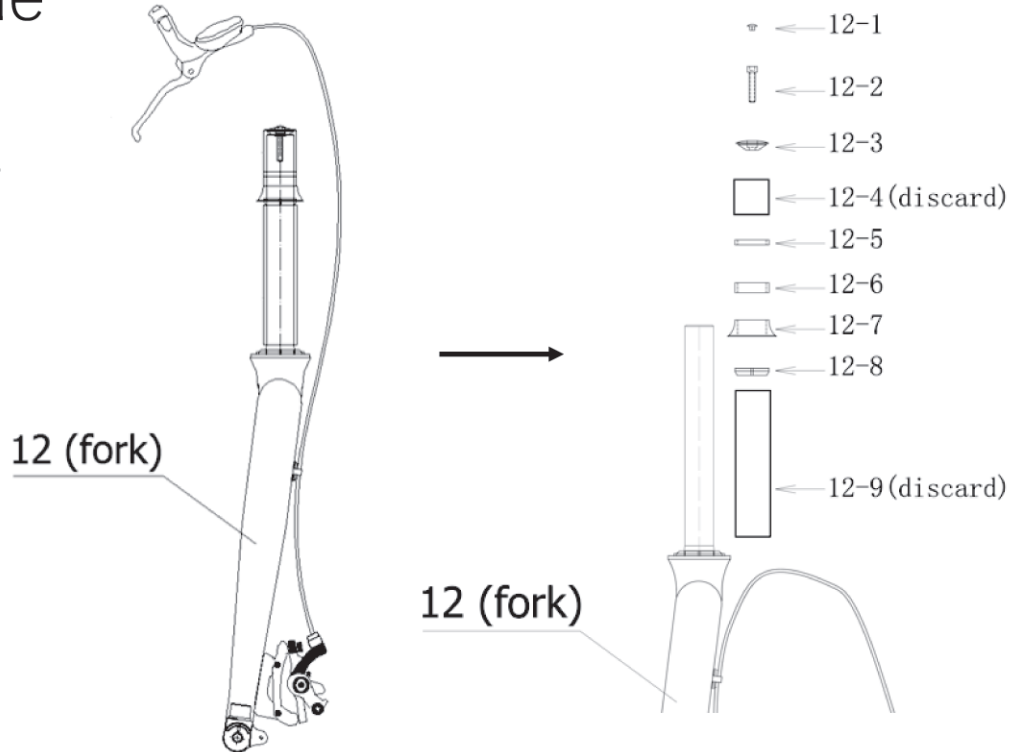


Figure 21.

# Assembly Guide

d. Adjust the direction of Part 12, making sure that the brake caliper is towards to the frame.

e. When Part 13 is ready, ensure that the instrument is facing upward during installation.

f. As shown in Figure 22-1, put the parts back on the handlebar in turn.

g. Use a 5 mm Allen key to tighten the bolt 12-2, then fill back Part 12-1, as shown in Figure 22-2.

Note: Make sure the torque of bolt is no less than 18 N·m.

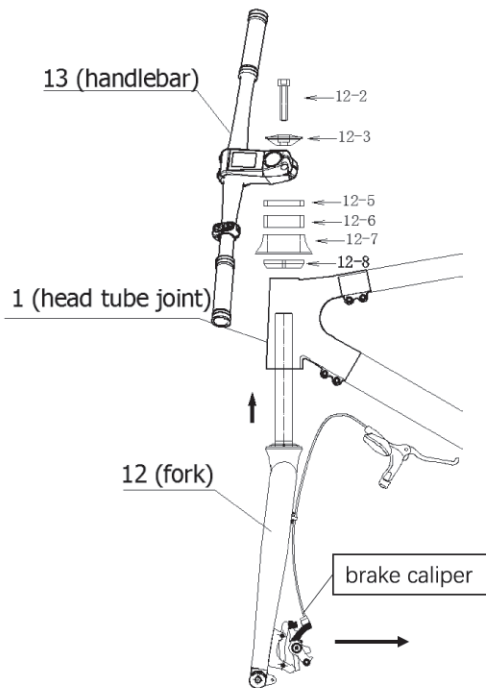
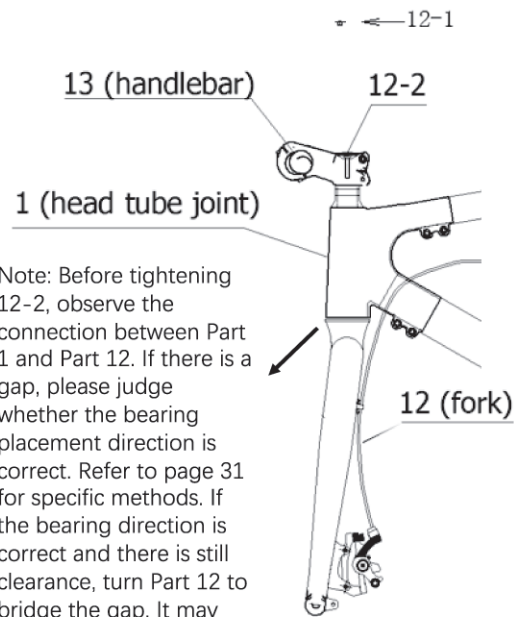


Figure 22-1.



Note: Before tightening 12-2, observe the connection between Part 1 and Part 12. If there is a gap, please judge whether the bearing placement direction is correct. Refer to page 31 for specific methods. If the bearing direction is correct and there is still clearance, turn Part 12 to bridge the gap. It may need to be adjusted many times, which is normal.

Figure 22-2.

# Assembly Guide

STEP 3: Install the seat and insert the seat post

1. Install the seat and seat post.
  - a. First, loosen the screw (Part 20-1) on Part 20 with a 6 mm Allen wrench, but do not remove it, as shown in Figure 23-1.
  - b. Rotate the upper cover (Part 20-3 and Part 20-4) by 90°, as shown in Figure 23-2, and then fit the guide rail of the saddle into the groove of the saddle pipe, as shown in Figure 23-3.

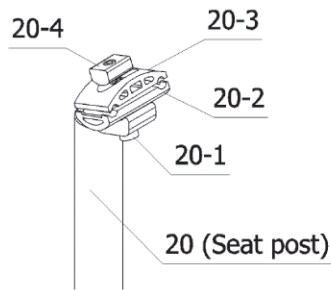


Figure 23-1.

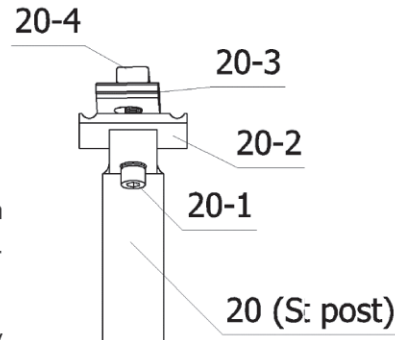


Figure 23-2.

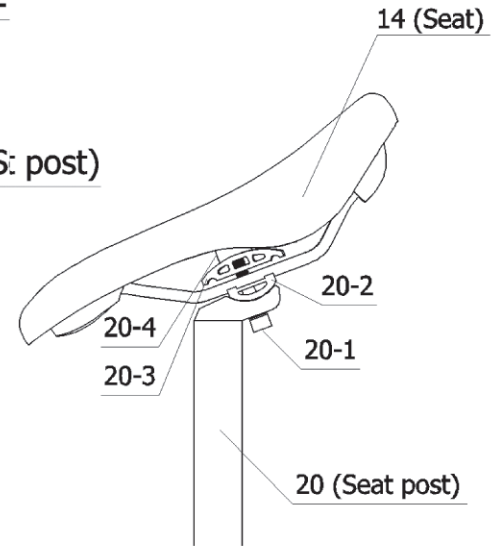


Figure 23-3.

# Assembly Guide

c. Rotate the cover plates 20-3 and 20-4 so that the saddle guide rail is placed in the slots 20-2 and 20-3, and then tighten the screw 20-1 with a 6 mm Allen wrench. It is not necessary to tighten it completely, but the screw should not fall out, as shown in Figure 24-1 and Figure 24-2.

Note 1: If the plates 20-3 and 20-4 cannot be rotated smoothly to cover the saddle guide rail, continue to loosen the screw 20-1 slightly until it is completed.

Note 2: If the screw falls out completely during adjustment, install the part again into Part 14 and Part 20, as shown in Figure 24-3. Note that the arc surface of Part 20-4 is close to Part 20-3.

Tip: The angle adjustment of Part 14 will be done when the installation is completed.

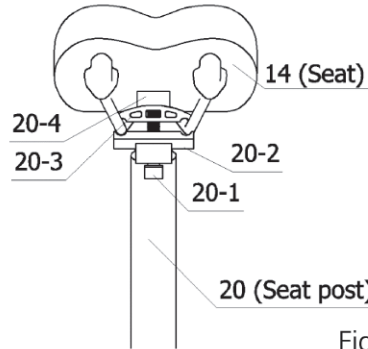


Figure 24-1.

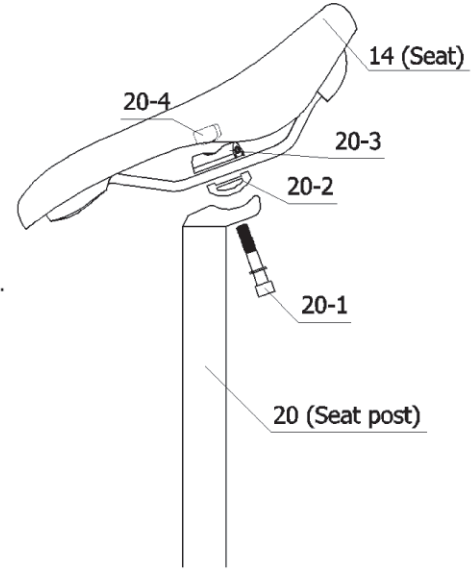
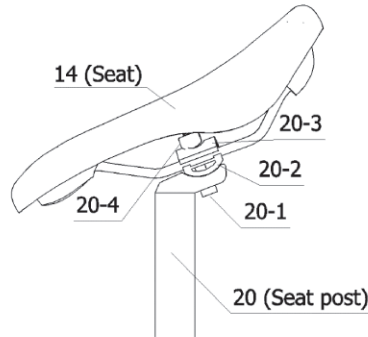


Figure 24-2.

Figure 24-3.

# Assembly Guide

2. Insert the seat post into the frame.

a. Insert Part 20, with the seat installed, into Part 6, as shown in Figure 25-1. Don't lock bolts ⑥ and ⑦ yet.

Note: The height adjustment of Part 20 will be done when the installation is completed.

b. Turn the bike upside down, as shown in Figure 25-2.

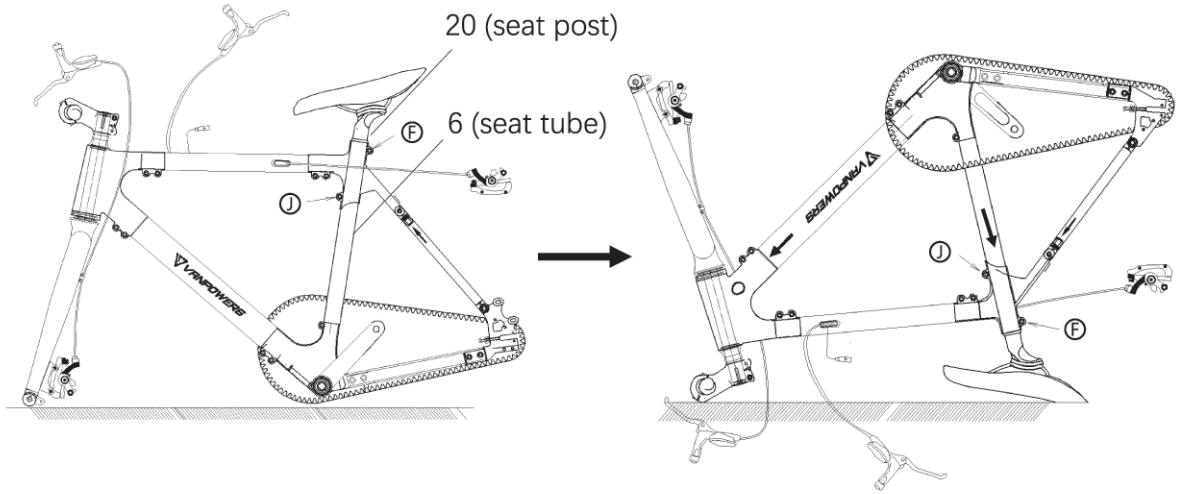


Figure 25-1.

Figure 25-2.


# Assembly Guide

## STEP 4: Install the crank and chainring

### 1. Install the parts.

- a. Find Part 15 and M8 crank bolt from the accessories box.
- b. Ensure that the crank on Part 15 and the pre-installed crank on Part 4 are positioned at 180°, and then install Part 15 on Part 4, as shown in Figure 26.
- c. Use an 8 mm Allen key to lock the M8 crank bolt.

Note: Make sure the torque of the crank bolt is no less than 40 N·m.

 It is very important to tighten the crank bolt, as it is a matter of riding safety. Please be sure to tighten the screws as required. If you cannot do so, please seek professional help.

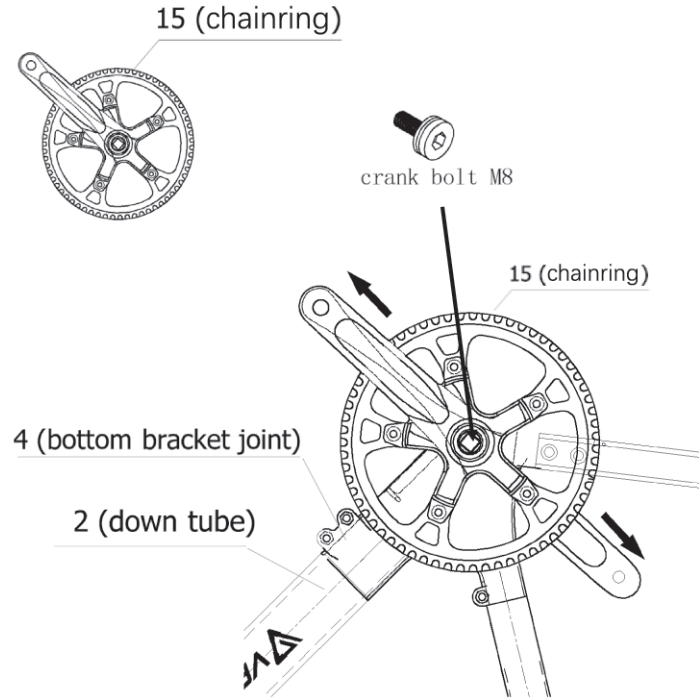


Figure 26: Install the chainring.

# Assembly Guide

STEP 5: Install the rear wheel and the belt

1. Mount the rear wheel.
  - a. Remove hardware piece by piece in Part 17 **except the gasket 17-4**, then discard 17-8, 17-5, and 17-3, as shown in Figure 27.

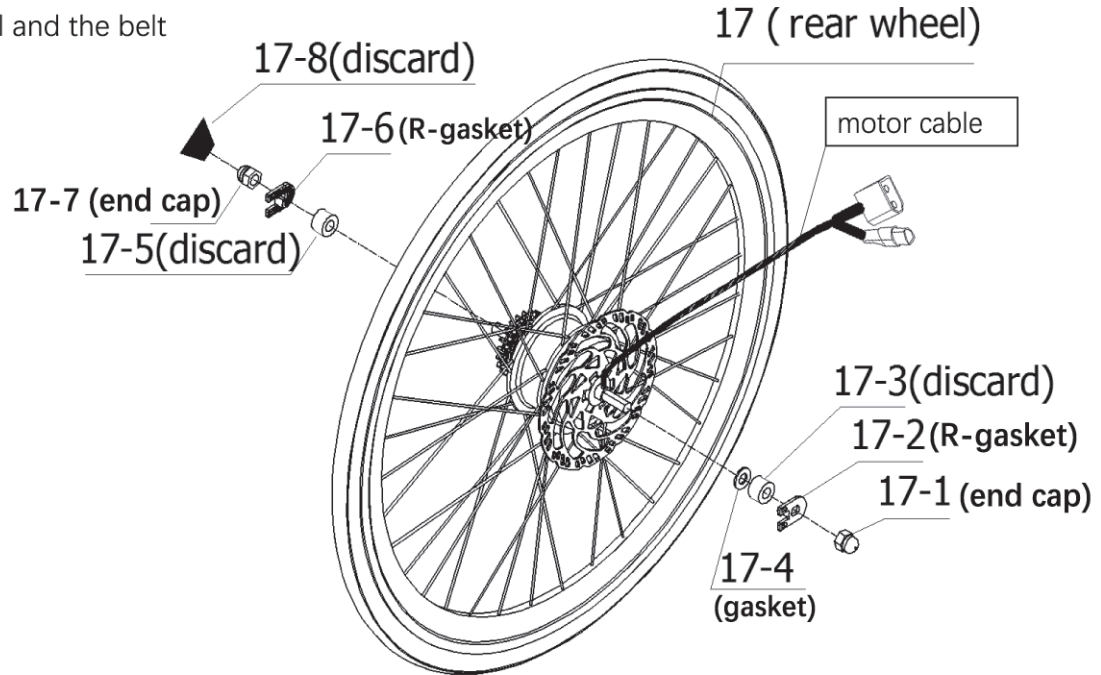


Figure 27.

# Assembly Guide

b. Check the position of Part 10 and confirm that Part 10 covers Part 9 and is at the bottom of Part 9, as shown in Figure 28.

Note: This step is done to facilitate the installation of the belt in the following steps.

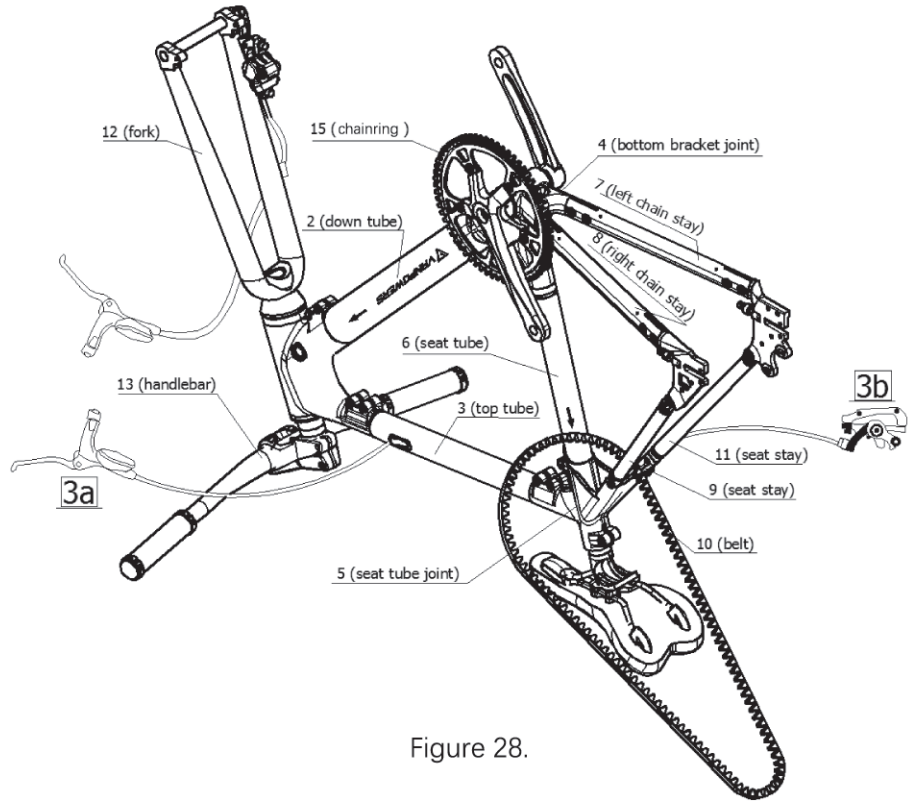


Figure 28.



# Assembly Guide

c. Place Part 17 between Part 7 and Part 8.

Notes:

- The direction of the motor line of Part 17 is on the same side as Part 7, the opening position of the motor line is upward, and the gasket in the direction of the motor line needs to be on the inside of the dropout of Part 7, as shown in Figure 29-2. Observe the shaft of Part 17, place the motor flat shaft upward into the dropout of Part 7 and Part 8, and push it to the end of the dropout, as shown in Figure 29-3.
- Be careful, as the disc may cause scratches.

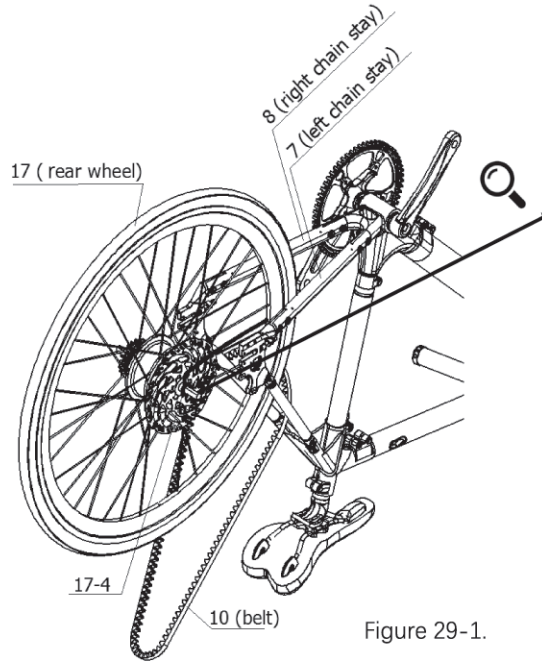


Figure 29-1.

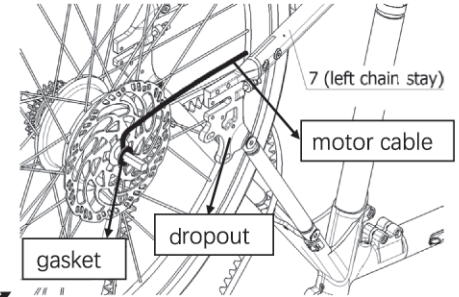


Figure 29-2.

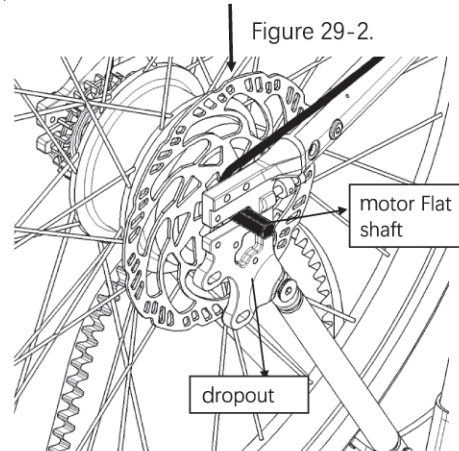


Figure 29-3.

# Assembly Guide

d. Adjust the crank direction of Part 15 so that it points to the rear wheel, as shown in Figure 30-1.

e. Turn Part 10 upward and cover the freewheel of the rear wheel so that the center of Part 10 engages with the center of the freewheel, as shown in Figure 30-2.

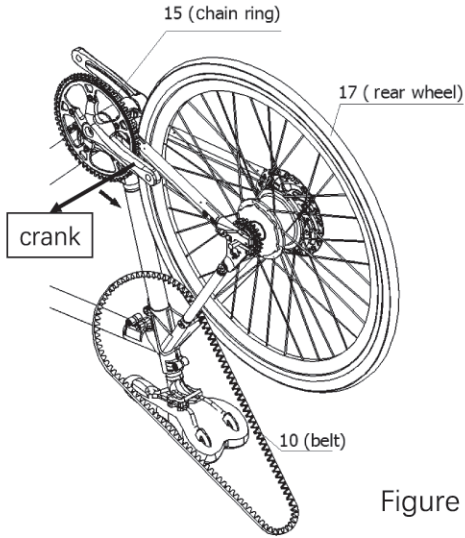


Figure 30-1.

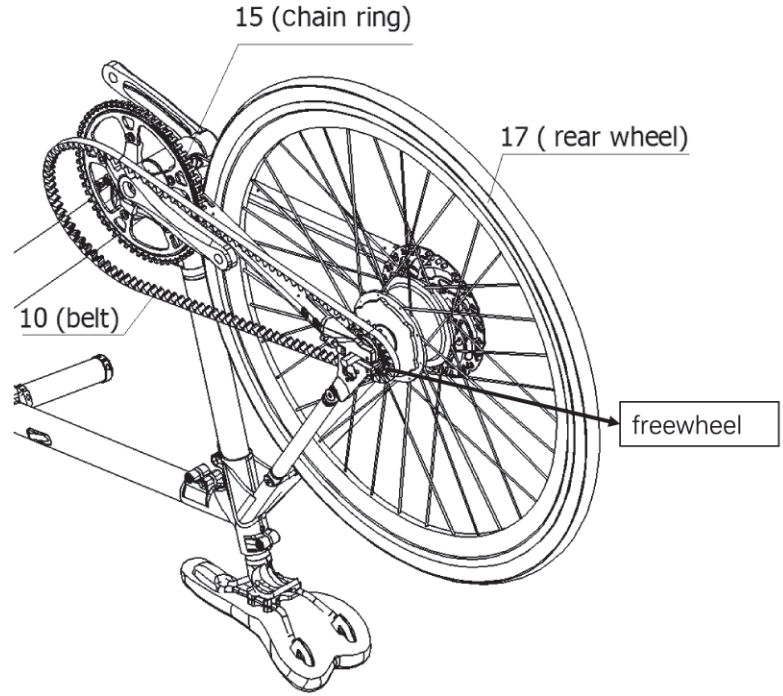


Figure 30-2.

# Assembly Guide

f. Cover the upper side of Part 15 with Part 10 and make the center of Part 10 engage with the center of Part 15. Turn the crank on Part 15 counterclockwise to make Part 10 cover Part 15 completely, as shown in Figure 31.

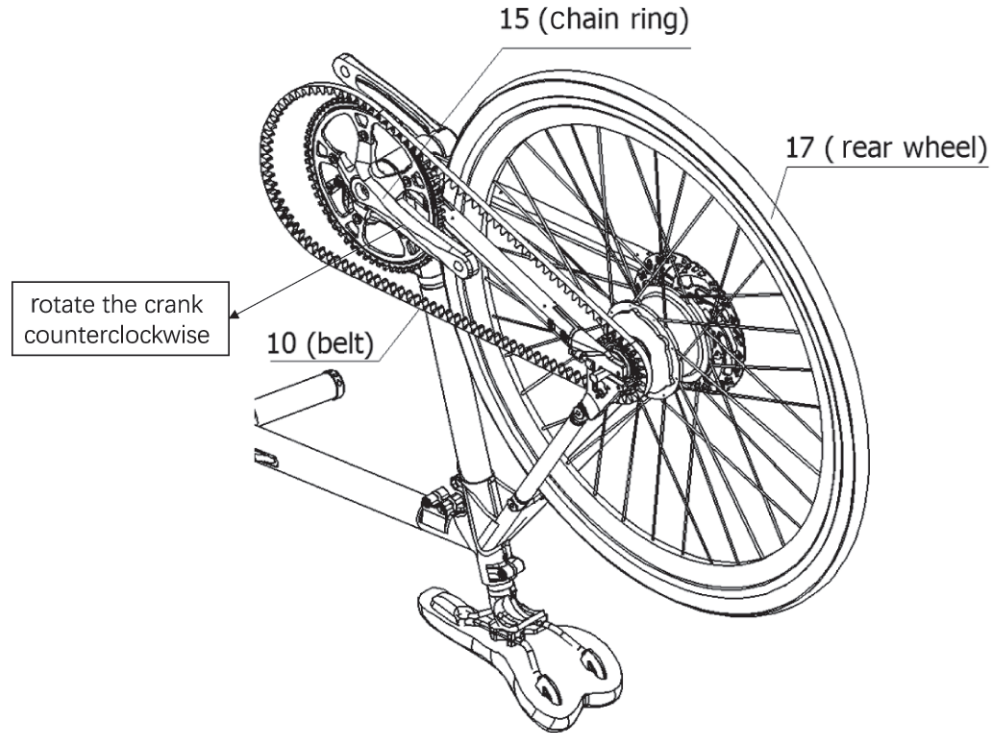


Figure 31.

# Assembly Guide

g. Use the 4 mm Allen key to tighten the screws <sup>®</sup> on the left and right dropouts to make the set screw touch the dropout. Contact can be made without overtightening the screws. Then, observe carefully and confirm that the tail end of the screw is against the motor shaft. There is a screw on both the left and right dropout, each of which needs to be operated according to this, as shown in Figure 32.

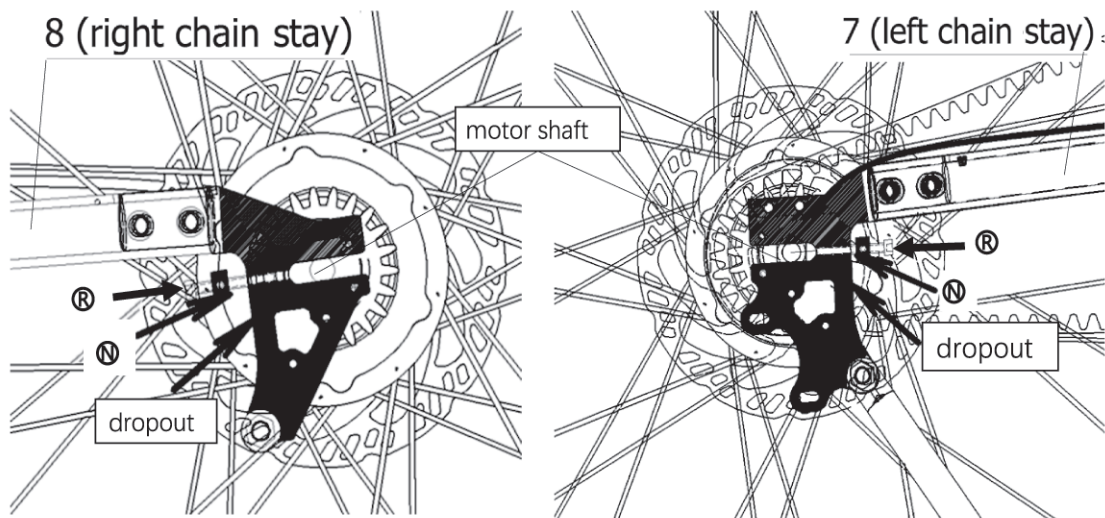


Figure 32.

Note: The set screw is used to adjust the tightness of the belt and the position of the rear wheel. The bike has been installed and commissioned by a professional technician 100% before leaving the factory, and the set screw has been adjusted to the most appropriate position. Therefore, you can adjust the belt to the appropriate position required for operating, so you can get the best riding experience.

# Assembly Guide

h. Find four R-gasket bolts M4\*12 in the accessories box, then use 3 mm Allen key to lock the R-gaskets on the left and right dropouts. The opening direction of the R-gasket is the same as that of the dropout, and the embossing direction of the R-gasket is close to the dropout, as shown in Figure 33.

Note: Make sure the torque of bolts is 6 N·m.

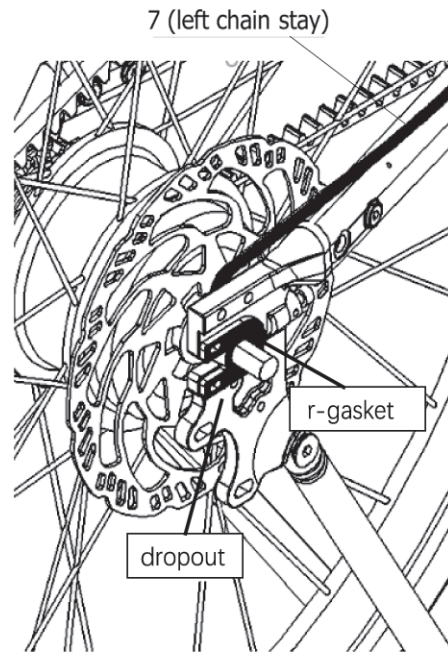
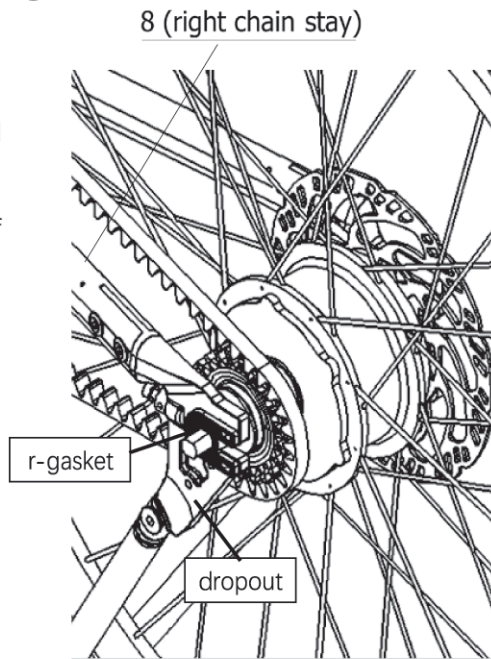
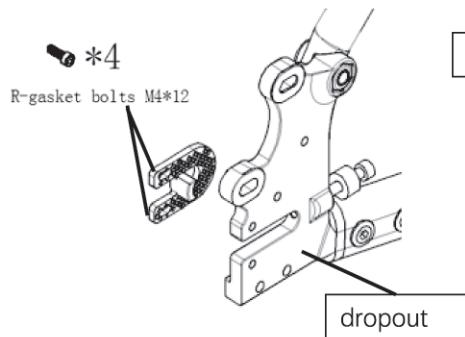


Figure 33.

# Assembly Guide

i. Use a 19 open-end combination wrench to tighten the left and right end caps clockwise, as shown in Figure 34.

Notes:

- Make sure the torque of the nuts is no less than 45 N·m.
- The rear wheel installation is a key step and is related to ride safety. If you can't complete the installation as required, please seek the help of a professional.

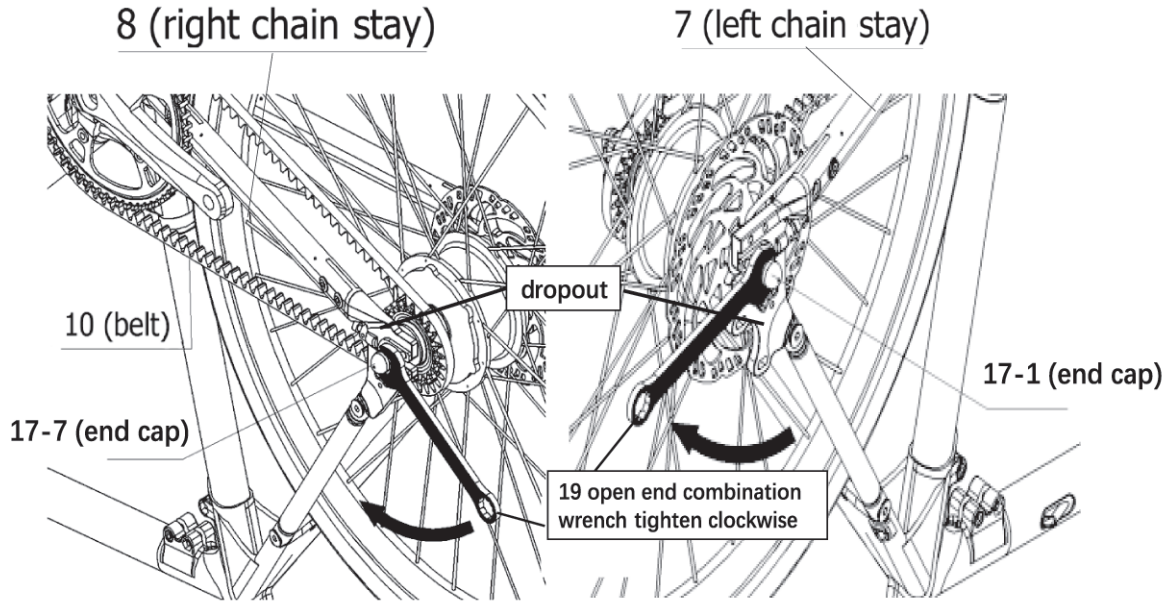


Figure 34.

# Assembly Guide

STEP 6: Connect motor cable and fix the cable guide

a. Thread the rear wheel motor cable from the "R" into Part 4, as shown in Figure 35.

b. Pair the power cables (2a and 17a) and signal cables (2b and 17b), then put them back into Part 4 through OPEN 4a, as shown in Figure 36.

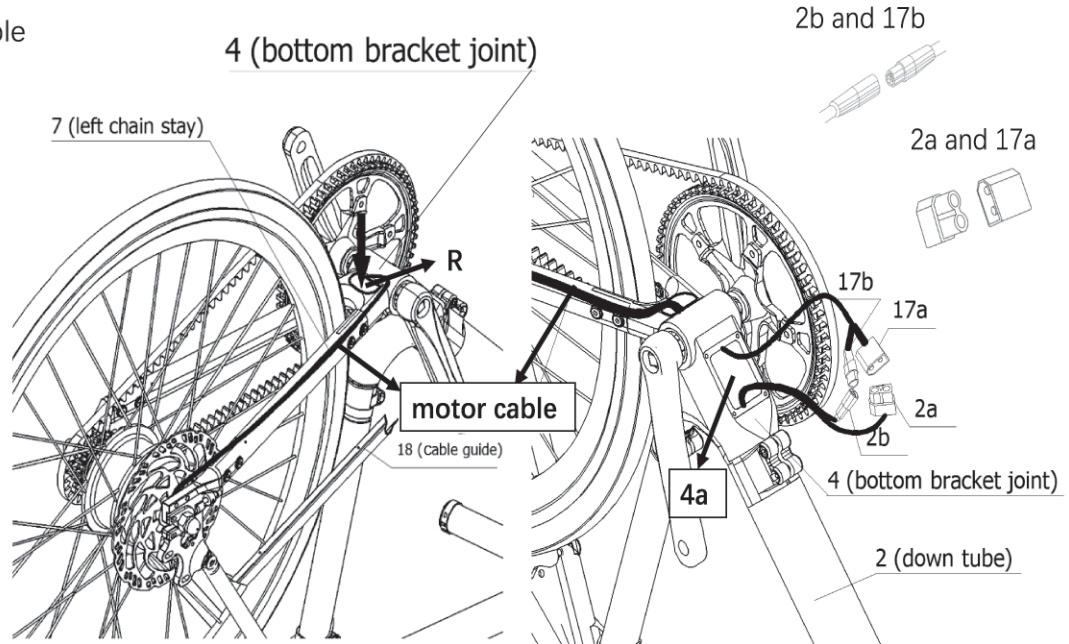


Figure 35.

Figure 36.

# Assembly Guide

c. Use Part 18 to cover the motor cable, then use a screwdriver to lock the two M2.5\*4 mm bolts on Part 7, as shown in Figure 37-1.  
Note: There are 4 holes in Part 18, but just lock the two outer holes.

d. Use a 3 mm Allen key to fix cover 4a on Part 4 with four M4\*8 mm bolts, as shown in Figure 37-2.  
Note: Make sure the torque of bolts is 5 N·m.

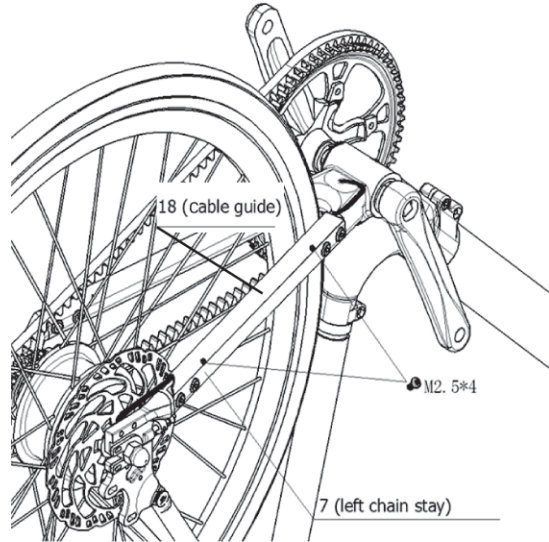


Figure 37-1.

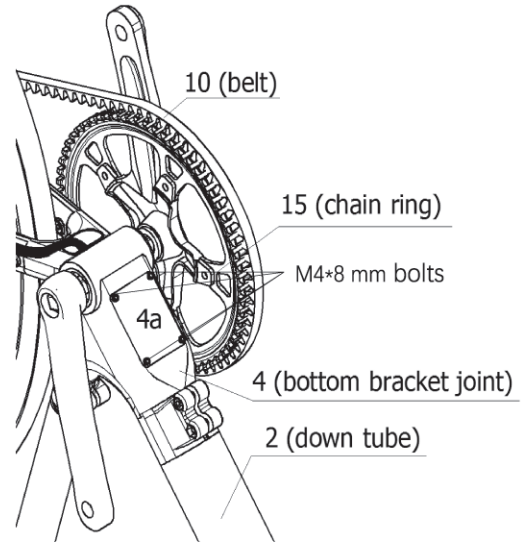


Figure 37-2.



Screwdriver



# Assembly Guide

## STEP 7: Install the rear brake

a. Pull off the plastic chips from the brake caliper, as shown in Figure 38-1.

b. Use a 5 mm Allen key (or T25 wrench) to remove the two bolts pre-mounted on the brake caliper, as shown in Figure 38-2.

Note: Use a T25 wrench for Magura disc brakes and a 5 mm Allen key for Tektro disc brakes, as shown in Figure 38-3.

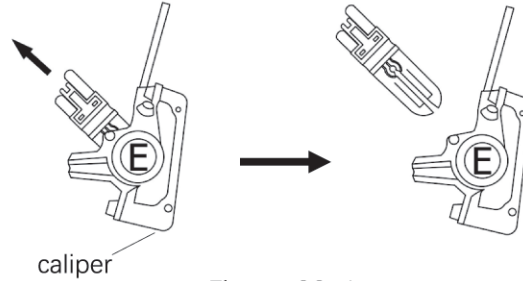


Figure 38-1.

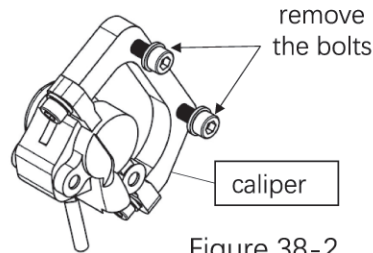
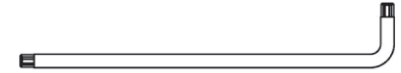


Figure 38-2.



T25 Torx Key (Only for Magura Brake)



0.20 inch (5 mm) Allen Key

Figure 38-3.

# Assembly Guide

c. Position the bike so that you view it from the rear and place the caliper so that the disc is placed between the two brake pads of the caliper, as shown in Figure 39.

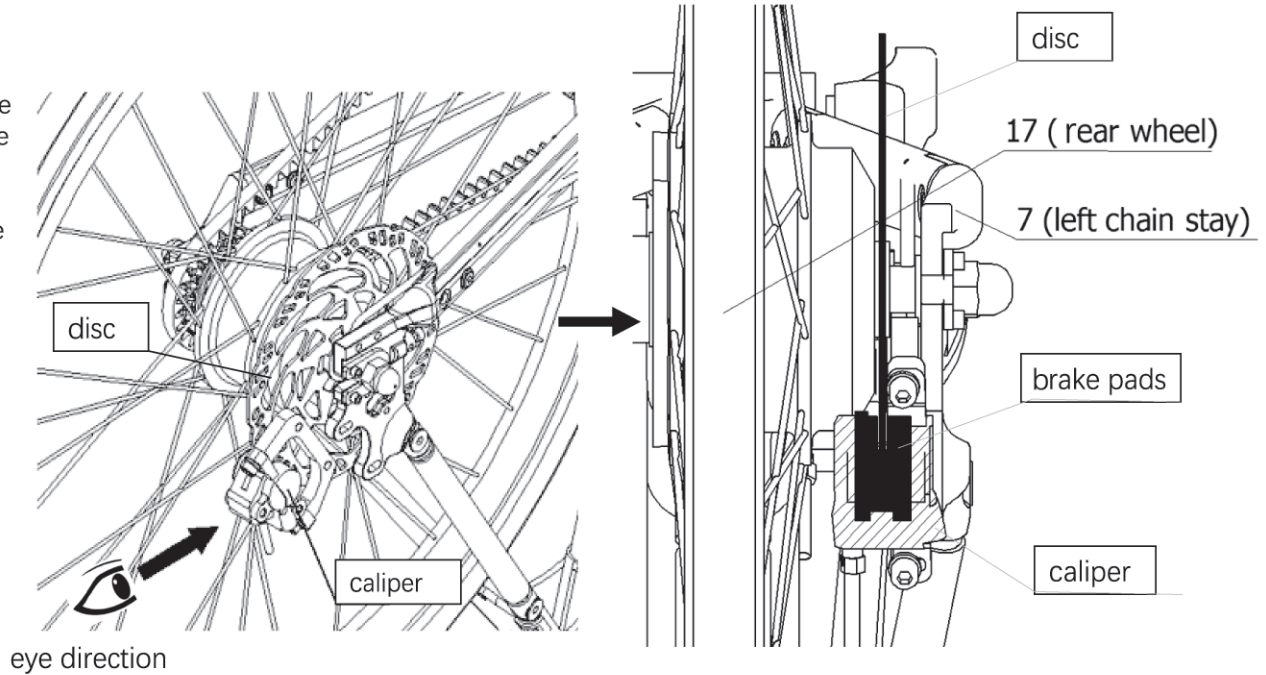


Figure 39.

# Assembly Guide

d. Lock the brake caliper on Part 7 with a 5 mm Allen key (or T25 wrench), as shown in Figure 40.

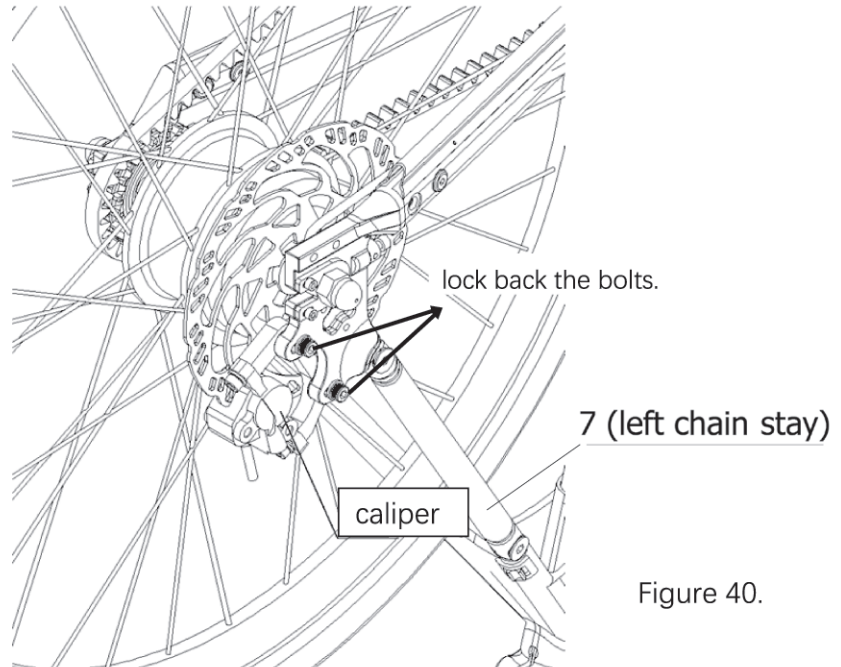


Figure 40.

# Assembly Guide

e. After fixing the caliper, observe whether the disc is in the middle of the brake pads. If not, slightly loosen the screw and adjust the position of the caliper until the disc is in the middle, and then tighten the screws  $\odot$ . As shown in Figure 41.

Note: Make sure the torque of the bolts is 5 N·m.

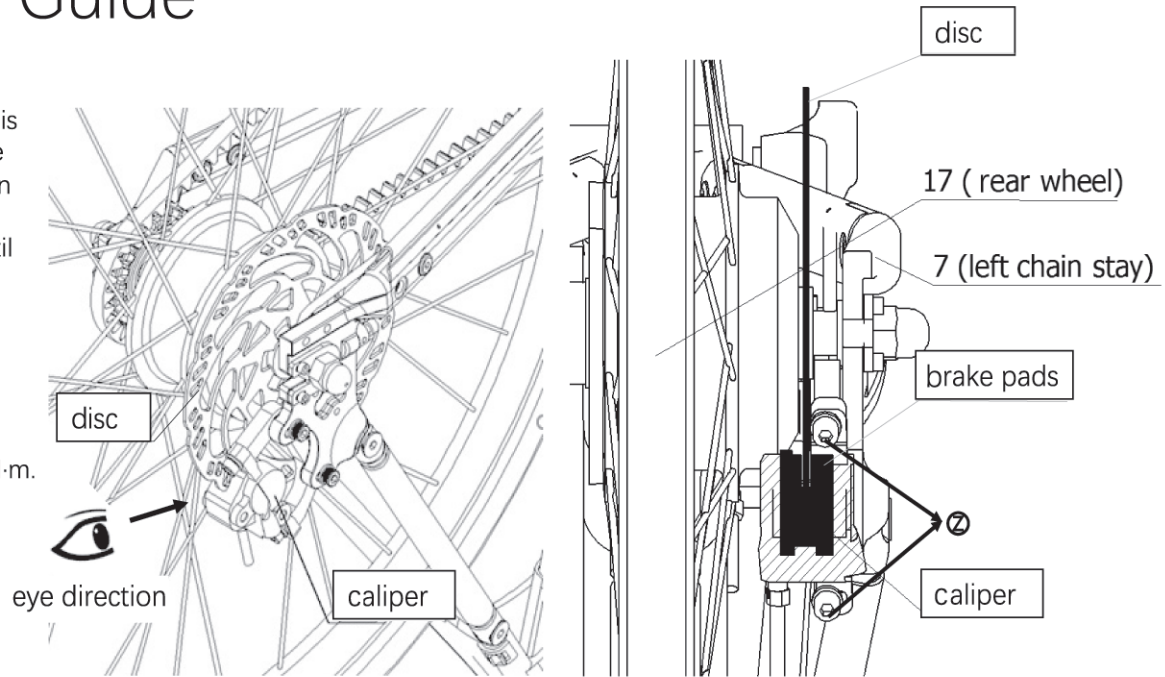


Figure 41.

# Assembly Guide

## STEP 8: Install the kickstand

- Find two kickstand bolts M6\*18 and two M6 washers from the accessories box, as shown in Figure 42.
- Use a 5 mm Allen key to affix Part 19 onto the dropout of Part 7, as shown in Figure 43.



Figure 42.

Almost done, please  
hang in there!

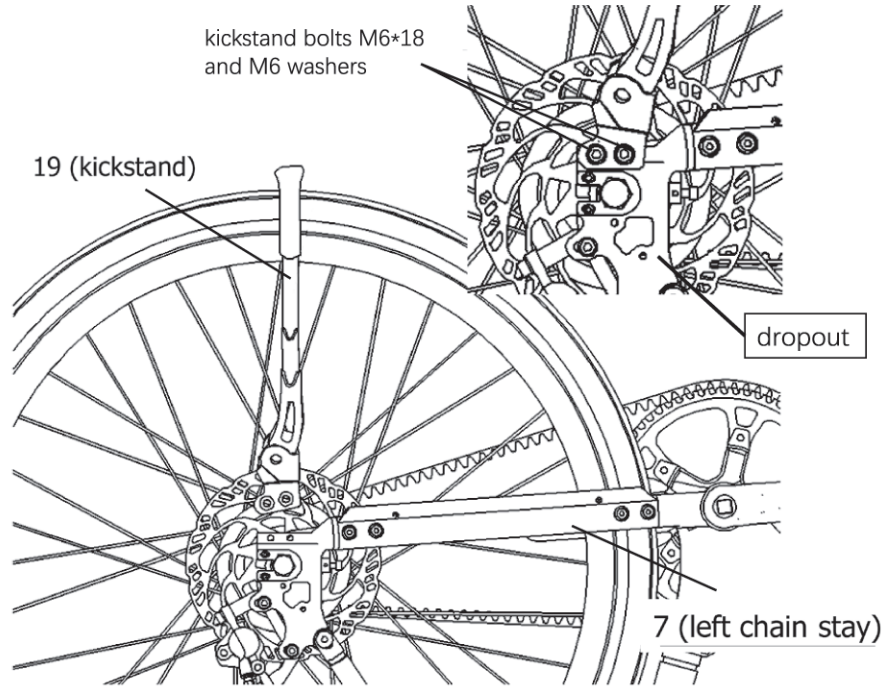


Figure 43: Affix the kickstand onto Part 7.

# Assembly Guide

## STEP 9: Install the front wheel

a. Pull off the plastic chip from the brake caliper, as shown in Figure 44-1.

b. Remove the quick release lever from Part 12, as shown in Figure 44-2.

c. Carefully place Part 16 into Part 12, making sure to carefully insert the disc between the brake calipers, as shown in Figure 44-3.

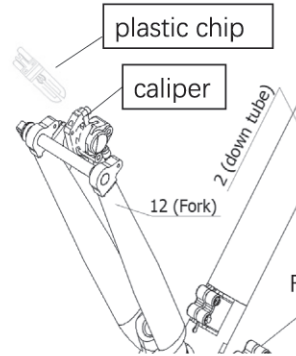


Figure 44-1.

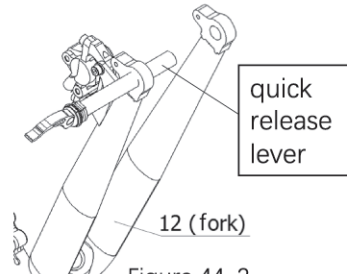


Figure 44-2.

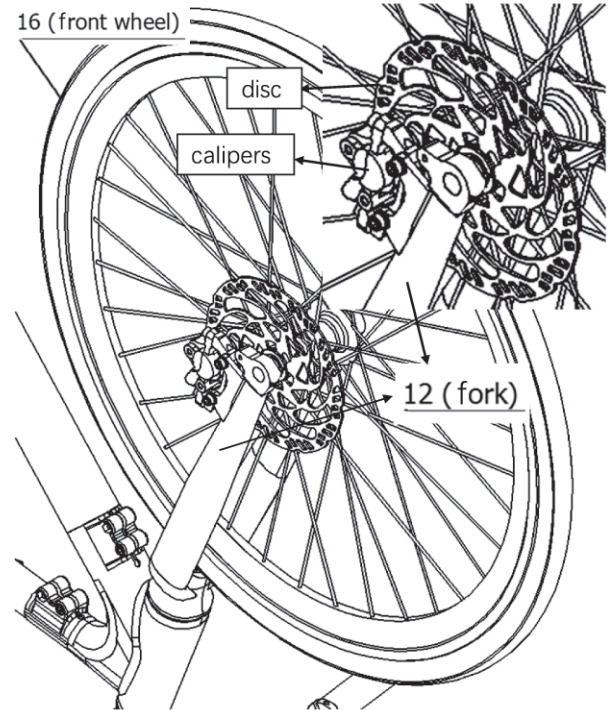


Figure 44-3.

# Assembly Guide

d. Insert the quick release lever from the disc side as far as you can. You may need to slightly adjust the front wheel so that the quick release lever can pass smoothly. Screw clockwise it in until it feels tight, as shown in Figure 45-1.

e. Lock the quick release lever, as shown in Figure 45-2.

## Notes:

- If there is no tension when locking the quick release lever, you will need to tighten it more.
- This step is very important and related to ride safety. If you cannot complete the installation as required, please seek the help of a professional.

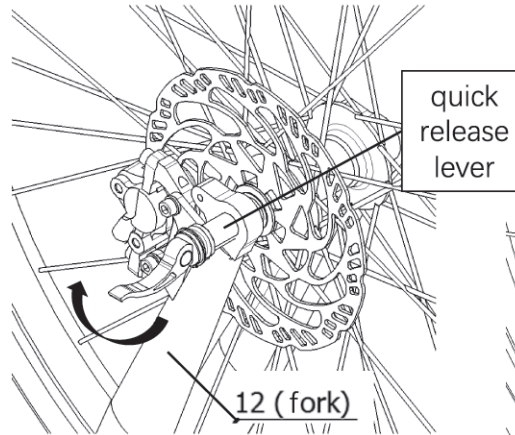


Figure 45-1.

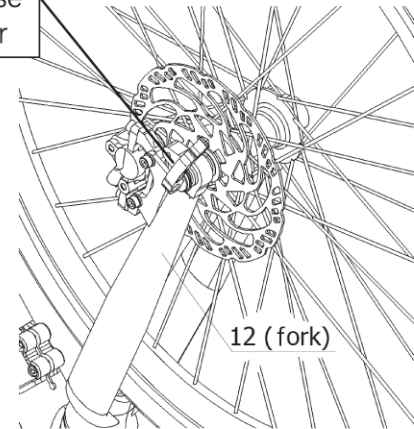


Figure 45-2.

# Assembly Guide

STEP 10: Install the brake lever

1. Stand the bike up, as shown in Figure 46.

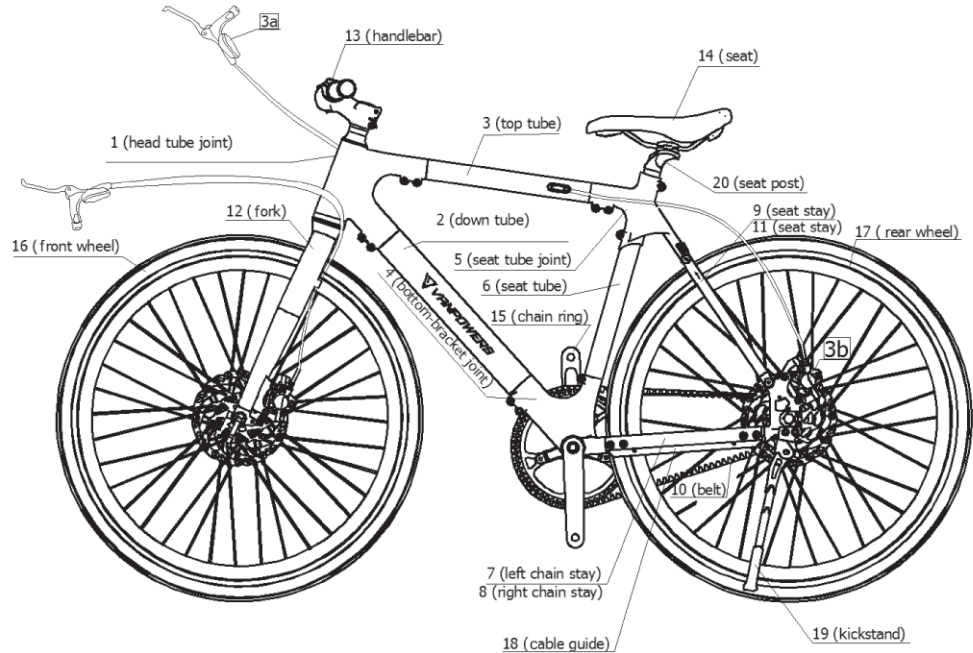


Figure 46.



# Assembly Guide

2. Install brake lever (Tektro brake). **Please carefully observe the brand logo printed on the left and right brake handlebars and select the corresponding brake installation steps.**

a. Use a 3 mm Allen key to unscrew the two bolts on each grips and remove the grips from the handlebar, as shown in Figure 47-1.

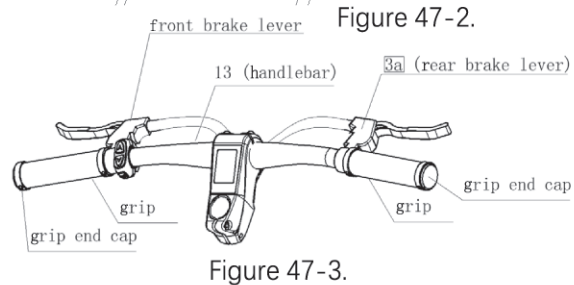
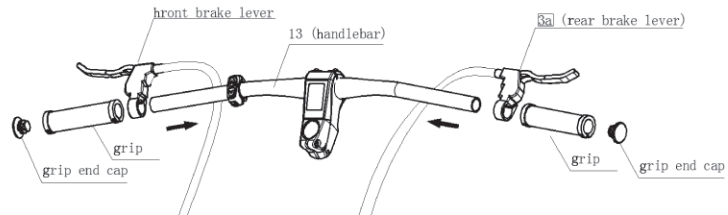
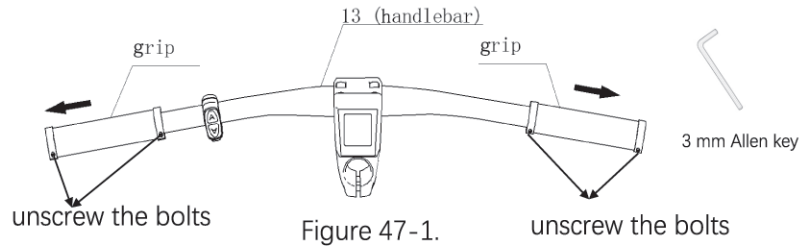
b. Find the two grip end caps in the accessory bag.

c. According to the direction of the arrow, put the brake lever into Part 13 in turn, and then press the grip end cap into Part 13 to ensure that all parts are in close contact, as shown in Figure 47-2.

Note: In the US, it is standard to have the front brake on the left side and the rear brake on the right side. Please install the handlebar position according to the policy of your country.

d. Adjust the angle of the brake levers and make sure your hands and the brake levers are in a straight line during riding.

e. Use a 3 mm Allen key to tighten the bolts on the grips with torque 2–3 N·m. Use a 5 mm Allen key to tighten the bolts on the back of the brake levers with torque 6–8 N·m.



# Assembly Guide

3. Install the brake lever (Magura brake).

**Please carefully observe the brand logo printed on the left and right brake levers and select the corresponding brake installation steps.**

a. Use a T25 Torx key to mount each brake lever onto the handlebar, as shown in Figure 48.

Note: In the US, it is standard to have the front brake on the left side and the rear brake on the right side. Please install the handlebar position according to the policy of your country.

Torque request: 2.5 N·m

b. Adjust the angle of the brake levers and make sure your hands and the brake levers are in a straight line during riding.

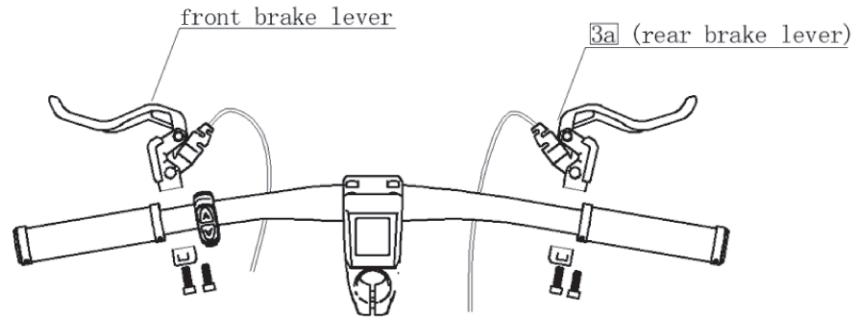
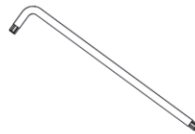


Figure 48.



T25 Torx Key

# Assembly Guide

## STEP 11: Cable management

a. Connect the display sensor cable, as shown in Figure 49.

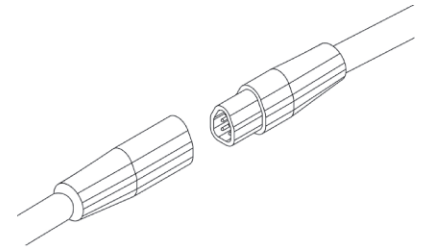
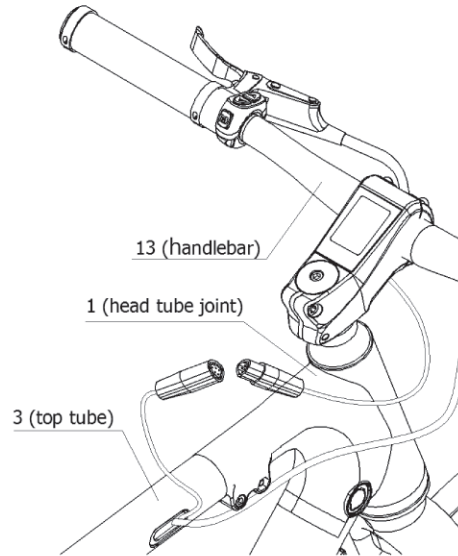


Figure 49.

# Assembly Guide

b. Find the C-chip from the accessories box and clamp the rear brake cable and clip it on Part 5, as shown in Figure 50-1.

c. Find the top-tube cable entrance in the accessory bag and open it from the middle cut. After opening, wrap it around the rear brake line and instrument sensing line and clamp it into the hole of Part 3 with the opening towards the front wheel, as shown in Figure 50-2.

d. Find the front cable chips in accessories box. Fix the display cable and the rear brake cable together, as shown in Figure 50-3.

Note: Front cable chip is optional.

Tips: We also provide a bell as well as front & rear reflectors in the accessories box, optional according to your preference.

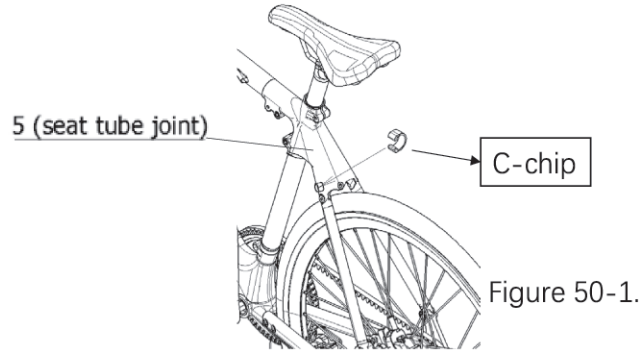


Figure 50-1.

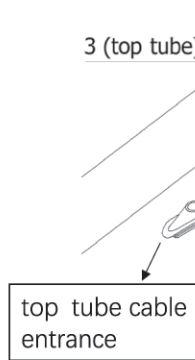


Figure 50-2.

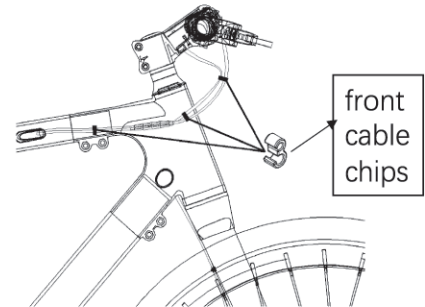


Figure 50-3.

# Assembly Guide

## STEP 12: Install the pedals

a. Use the 15 mm wrench to mount the pedals, as shown in Figure 51.

### Notes:

- Check the end cap on both pedals to identify the left pedal and right pedal.
- Please note that the right pedal will tighten clockwise, while the left pedal will tighten counterclockwise.
- Make sure the torque is 18 N·m.

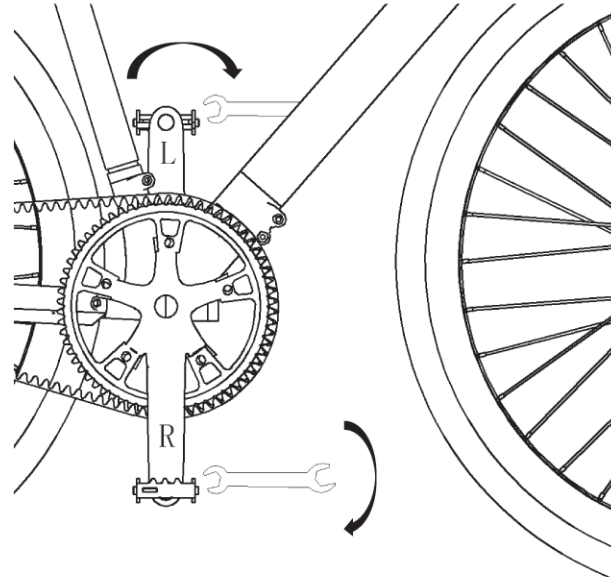
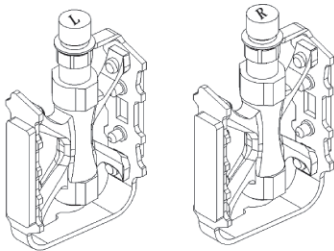


Figure 51.

# Assembly Guide

## STEP 13: Adjust the handlebar angle

a. Clamp the front wheels with your legs or align them with Part 3 (top tube) and adjust the angle between Part 3 and Part 16 until they are perpendicular, as shown in Figure 52-1.

b. Recurrently tighten the two screws  $\textcircled{M}$   $\rightarrow$   $\textcircled{P}$  on Part 13 with a 5 mm Allen key, as shown in Figure 52-2. Based on experience, at least 5 **cycles** are required.

Note: Make sure the torque of the two bolts is 18 N·m.

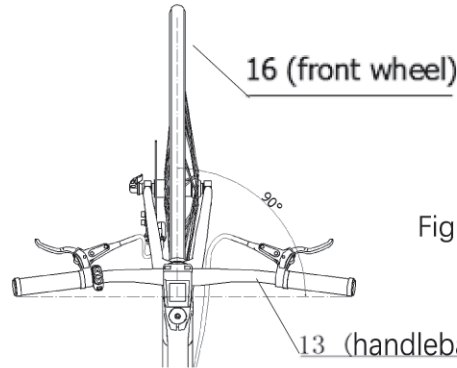


Figure 52-1.

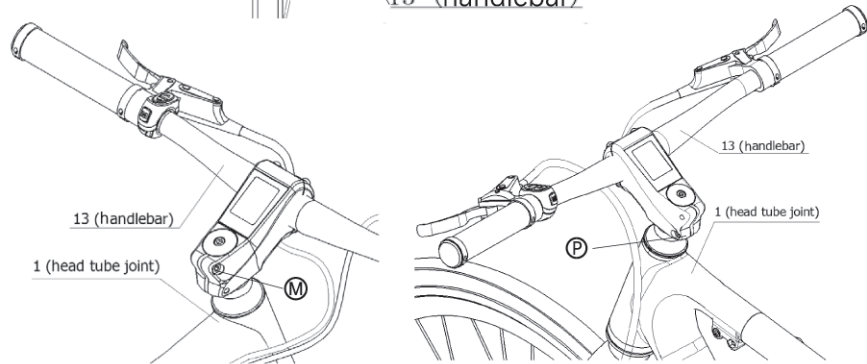


Figure 52-2.

# Assembly Guide

STEP 14: Adjust the saddle angle and seat tube height

a. Adjust the saddle angle to be parallel to the ground. Use the 6 mm Allen key to tighten the bolt in the saddle.

Notes:

- Make sure the torque of bolt ㊸ is no less than 18 N·m.
- Ensure that the clip of the saddle tube does not exceed the safety line of the saddle guide rail, as shown in Figure 53-1.

b. Adjust the saddle height to your proper height. Then tighten bolts ㊸ and ㊹, as shown in Figure 53-2.

Note: Make sure the torque of bolts ㊸ and ㊹ is no less than 20 N·m

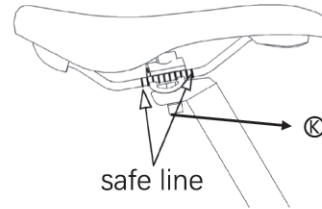


Figure 53-1.

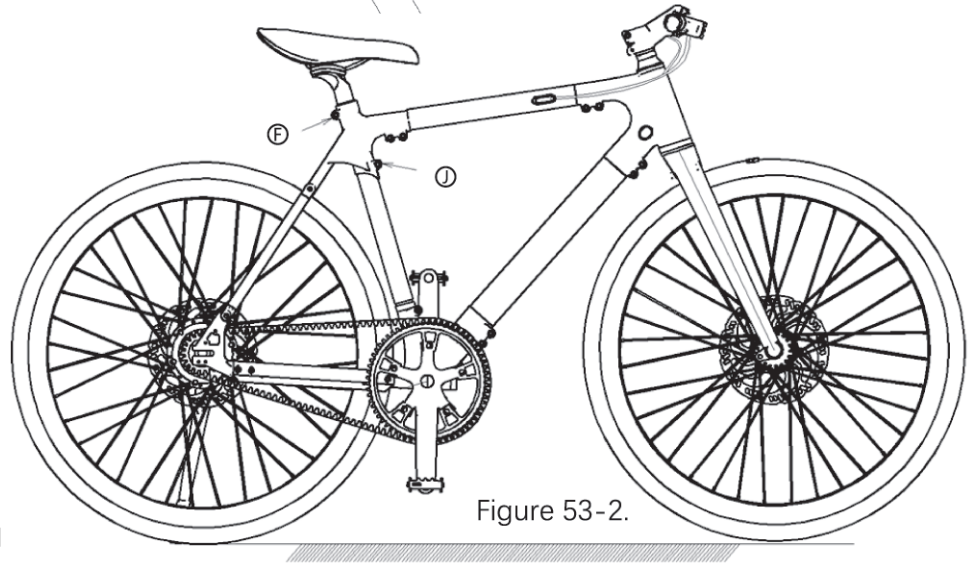
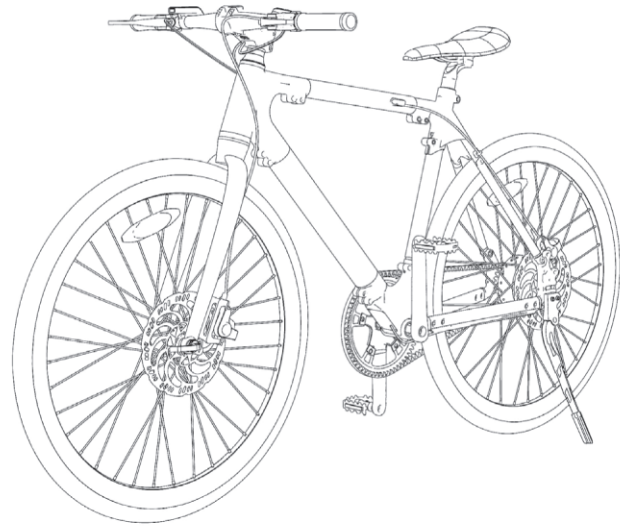


Figure 53-2.

Mission Complete!

Enjoy your journey!





# Maintenance

## Inspection Intervals

Inspection intervals			
Inspection	Distance travelled	Hours of operation	Duration of use
1st Inspection	after 300 km / 190 mi* or	after 15 hours of operation* or	after 3 months*
2nd Inspection	after 2,000 km / 1,250 mi* or	after 100 hours of operation* or	after one year*
Each subsequent inspection	after a further 2,000 km / 1,250 mi* or	after a further 100 hours of operation* or	after a further year*
*whichever is the earliest			

If you use the bike under challenging conditions or ride more than 2,000 km/1,250 mi per year, shorten the inspection intervals and have an inspection carried out by professionals every 6 months.

# Maintenance

## Screw joints

- Check the vehicle regularly for loose screw connections according to the maintenance schedule and tighten loose screws with a torque wrench.
- Do not ride the bike if you find that any screw joints have loosened.
- Have loose screw joints checked by a professional if you lack the necessary expertise and required tools.

## Frame and forks

- Check the frame and rigid fork for cracks, deformation, or discoloration.
- If the frame or the forks is cracked, deformed, or discolored, contact a professional immediately.
- Do not use the bike if you find any cracks, deformation, or discoloration.

## Saddle

- Check whether you can twist the saddle.
- If you can twist the saddle, tighten the seat post clamp. Observe applicable torques.
- Check whether you can move the saddle horizontally in the direction of travel or the opposite direction.
- If you can move the saddle, adjust the saddle clamp.

# Maintenance

## Wheels

- Check whether the front or rear wheel can move sideways and whether the wheel nuts move.
- If the wheel nuts move, have a professional check the screw joints.
- If the quick-release axle moves, adjust the axle.
- If the front or rear wheel moves sideways, have a professional check the wheel.
- Check whether there is equal distance on both sides between the front wheel and the front fork and between the rear wheel and the frame.
- If the distances are not identical, have a professional check the front and rear wheels.
- Lift the bike and turn the front or rear wheel. Check whether the front or rear wheel swings sideways or outwards.
- If the front or rear wheel swings sideways or outwards, have a professional check the wheel.
- Check the front and rear rims for cracks, deformation, or color changes at regular intervals.
- Check whether the rim is under the inner tube and the rim tape.
- Do not use the bike if the rim is cracked, deformed, or discolored.
- Have a professional check whether there is any damage on the rim, materials, or aluminum.
- Squeeze the spokes together gently with your thumb and fingers to check whether the tension is the same for all spokes.
- If the tension varies or spokes are loose, have a professional check the spokes' tension.

# Maintenance

## Tires

- Check whether the tire pressure is correct according to the data on the tire side wall.
- Check whether the tires are free of cracks and damage from foreign bodies.
- Check whether you can clearly feel the tire tread.
- If a tire is cracked or damaged, or the tread depth is too low, have the tire replaced by a professional.

## Brake

It's important that you learn and remember which brake lever controls which brake (front/rear) in order to ensure your safety.

To check which configuration your bike is set up with, squeeze one brake lever and see if the front or rear brake engages. Now do the same with the other brake lever. Remember this configuration.

While you are testing the brake configuration, make sure that your hands can comfortably reach and squeeze the levers with no issues. If you experience any issues or discomfort when operating the brakes, please reach out to us before riding.

Review the brake manufacturer's user manuals and be sure to properly maintain your brakes. It's your responsibility to be able to recognize when your brake pads need to be replaced.

# Maintenance

## Battery

It's essential to follow these instructions and safety tips in order to preserve the longevity of your battery's life and ensure proper performance.

- Fully charge the battery before each ride to ensure it is ready to go the entire trip. It will help reduce the chance of overdischarging the battery.
- If the battery becomes physically damaged or non-functional, if it has been dropped or involved in a crash, or if you notice that it is performing abnormally, please discontinue use and contact the seller immediately.

## Charging your battery

- The charger is rated for 100–240V. Be sure to check the charger, the charger cables, and the battery for damage before beginning each charge.
- Charging takes about 3–4 hours. On rare occasions, it may take longer to fully charge the battery, particularly when the bike is new or left unused for a long time.
- Only charge the battery with the supplied charger, as others may cause damage to the battery or increase the possibility of fire or explosion.
- While the charger is designed to automatically stop charging once the battery is full, do not leave it plugged in for more than 12 hours.
- Make sure your charger is isolated from liquids, dirt, and debris.

# Maintenance

## Charger notes

- The charger may get hot when in use. However, if it gets too hot or you notice a strange smell or other indications, it may possibly be caused by overheating. Immediately stop use and contact the seller.
- Do not cover the charger when using it.
- Do not open the charger or alter the voltage input.
- If there appears to be an issue with the charger or battery, stop riding and contact the Service Center immediately.

# Maintenance

## Balancing your battery

When you first receive your bike, it is important to follow these steps to ensure that your battery cells are properly balanced in order to keep them as efficiently as possible.

1. For the first initial charge upon receiving your bike (or after prolonged storage time), be sure to charge the battery for at least 4 hours before riding.

Note: We recommend letting the battery charge for at least 4 hours for the first three charges to ensure that the cells balance properly.

2. After the first three rides, you may begin routine charging procedures.

## Storing your battery

If you plan on storing your bike (or spare battery) for longer than two weeks, please be sure to follow these guidelines to maintain your battery's lifespan.

1. Periodically check the battery and be sure to keep the charge up to at least 80%.

2. Store your battery in a cool, dry place at a temperature between 50 °F and 77 °F (10 °C–25 °C).

Failure to follow proper battery care can result in unnecessary damage to the components, battery, and charger, leading to underperformance or malfunction. Loss of battery capacity is not covered by warranty.

# Maintenance

Checking the electric drive system

- Check all cables to ensure that there is no damage.
- Examine the display for cracks and damage. Check if it is firmly in place.
- Check the control unit for cracks and damage. Check if it is firmly in place.
- Check the rechargeable battery to ensure that there is no damage.
- Check that all plug contacts are correctly in place and reconnect them if necessary.
- Check the cable and the outer casing to confirm that there is no damage.
- Check the motor to ensure that there is no damage.



# Service Info

## WARNING

TECHNOLOGICAL ADVANCES HAVE MADE BICYCLES AND BICYCLE COMPONENTS MORE COMPLEX, AND THE PACE OF INNOVATION IS INCREASING.

IT IS IMPOSSIBLE FOR THIS MANUAL TO PROVIDE ALL THE INFORMATION REQUIRED TO PROPERLY REPAIR AND/OR MAINTAIN YOUR BICYCLE.

To help minimize the chances of an accident and possible injury, you must have any repair or maintenance, including those not specifically described in this manual, performed by a professional. Equally important is that your individual maintenance requirements will be determined by everything from your riding style to geographic location.

Consult a professional for help in determining your maintenance requirements.

## WARNING

MANY BICYCLE SERVICE AND REPAIR TASKS REQUIRE SPECIAL KNOWLEDGE AND TOOLS.

Do not begin any adjustments or service on your bicycle until you have learned from a professional how to properly complete them. Improper adjustment or service may result in damage to the bicycle or in an accident which can cause serious injury or death.

# Service Info

If you want to learn to carry out major service and repair work on your bike, you have three options:

1. Ask the Service Center for copies of the manufacturer's installation and service instructions for the components on your bike or contact the component manufacturer.
2. Ask the Service Center to recommend a book on bicycle repair.
3. Ask the Service Center about the availability of bicycle repair courses in your area.

We recommend that you ask a professional to check the quality of your work the first time you work on something and before you ride the bike, just to make sure that you did everything correctly. Since that will require the time of a mechanic, there may be a modest charge for this service.

We also recommend that you ask a professional for guidance on obtaining spare parts, such as inner tubes, light bulbs, etc., as it would be useful once you have learned how to replace such parts when they require replacement.

# Warranty Terms

## LENGTH OF WARRANTY

Every bicycle has a useful product lifespan. This limited warranty does not suggest or imply that the frame or components can never be broken or will last forever. This limited warranty covers manufacturing defects that occur within the normal lifespan and use of the product.

Other components are covered by the stated warranty, if any, of their manufacturer, and they are not covered under this limited warranty.

<b>Parts</b>	<b>Warranty Period</b>
Frame	24 months
Front fork	24 months
Stem	12 months
Handlebar	12 months
Saddle tube	12 months
Bottom bracket	12 months
Chainring	12 months
Rim	12 months
Pedal	12 months
Kickstand	12 months
Hydraulic disc brake cylinder	12 months
Mechanical disc brake	12 months
Belt	12 months
Hub	12 months
Tire	6 months
Chain	12 months
Derailleur	12 months
Battery	18 months
Motor	24 months
Controller	24 months
Charger	12 months
Sensor	12 months
Display	12 months

# WARRANTY CONDITIONS

This limited warranty applies only to bicycles purchased in assembled and adjusted condition from authorized Vanpowers Bike retailers.

This limited warranty applies only to the original owner of the bicycle and is not transferable to subsequent owners.

The original receipt of purchase is required to establish proof of purchase and must be provided to Vanpowers Bike for any claims. Vanpowers Bike will require customers to complete a mandatory standard procedure for warranty claims that will involve media such as photos and videos to help Vanpowers Bike establish the fault with the product. Only the individual components themselves are covered by the warranty. The removal, assembly, and tuning requirements of the components are borne by the customer making the claim. The costs and inconvenience that result from a loss of use of the product are not covered whilst the warranty procedure takes place.

# WARRANTY CONDITIONS

Damage resulting from normal wear and tear, including the results of fatigue, is not covered. It is the owner's responsibility to regularly inspect and properly maintain his/her bicycle. Some items that typically exhibit damage from normal wear and tear include:

- Brake pads
- Spokes
- Tubes
- Flywheel pinion
- Saddle
- Kickstand

Paint fading caused by the effects of ultraviolet light (UV) or outdoor exposure is not covered by this limited warranty.

All labor charges for warranty service, including the transfer of components and/or any installation of new components, are the responsibility of the bicycle owner.

Due to product evolution and obsolescence (such as products that have been discontinued or are no longer kept in stock), some frames or components may not be available for older models. In these cases, Vanpowers Bike may elect to provide a replacement that it determines to be the most nearly comparable model, but sourcing and paying for components is the responsibility of the bicycle owner.

All determinations under this limited warranty will be made at the sole discretion of Vanpowers Bike, including but not limited to the decision to repair or replace a defective product and what replacement product is the most nearly comparable product then available.

# WARRANTY EXCLUSIONS

This warranty does not cover:

- Damage or failure from abuse, neglect, misuse, or accident.
- Damage from stunt riding; ramp jumping; acrobatics; competitive events, such as bicycle racing, bicycle motocross racing, or similar activities; or any activity that is not consistent with the intended use of the product.
- Damages resulting from improper charging of the battery pack or use of any charger not supplied by Vanpowers Bike.

All warranties are void if the bicycle is subjected to abuse, neglect, improper repair, improper assembly, lack of proper maintenance according to the owner's manual, alteration, modification, installation of incompatible parts, corrosion, an accident, or other abnormal, excessive, or improper use. Additionally, this warranty does not cover damage associated with commercial use.