



JX0

Task support vehicle

Max. Platform height: 2.99m;
Truck size: 1365x1440x750mm, turning radius (1260),
suitable for narrow spaces;
Light and flexible;
AGM Battery (maintenance free), Li-Ion as option.

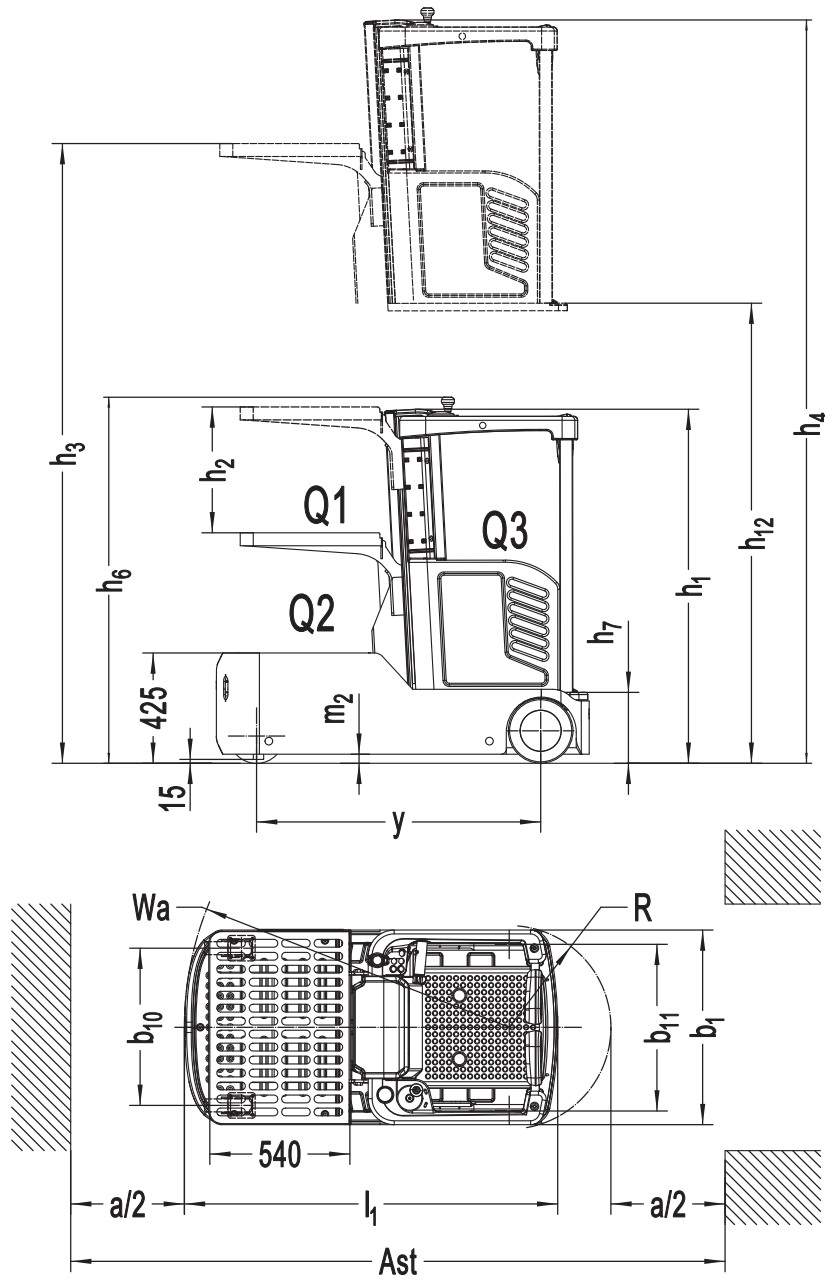
EP EQUIPMENT CO.,LTD
www.ep-ep.com



Task support vehicle JX0

Distinguishing mark	1.1	Manufacturer			EP	EP
	1.2	Model designation			JX0(Li-ion)	JX0
	1.3	Drive unit			Electric	Electric
	1.4	Operator type			Order-picker	Order-picker
	1.5	Rated capacity	Q	kg	90/110/136	90/110/136
	1.6	Load center distance	c	mm	—	—
	1.8	Load distance, centre of drive axle to fork	x	mm	—	—
	1.9	Wheelbase	y	mm	1095	1095
	Service weight	2.1	Service weight		kg	800
2.2		Axle loading, laden front/rear		kg	590/410	590/410
2.3		Axle loading, unladen front/rear		kg	380/420	380/420
Tyres/chassis	3.1	Tyre type			Polyurethane/Solid rubber	Polyurethane/Solid rubber
	3.2	Tyre size, front		mm	Φ210×70	Φ210×70
	3.3	Tyre size, rear		mm	Φ250×100	Φ250×100
	3.4	Additional wheels		mm	Φ74×48	Φ74×48
	3.5	Wheels, number front/rear (x=drive wheels)		mm	1x, 2/2	1x, 2/2
	3.6	Tread, front	b10	mm	545	545
	3.7	Tread, rear	b11	mm	640	640
Dimensions	4.2	Height, mast lowered	h1	mm	1365	1365
	4.3	Free lift	h2	mm	485	485
	4.4	Lift height	h3	mm	3485	3485
	4.5	Height, mast extended	h4	mm	4365	4365
	4.7	Height of overhead/ guard cabin	h6	mm	1410	1410
	4.8	Seat height/standing height	h7	mm	285	285
	4.14	Stand height, elevated	h12	mm	3000	3000
	4.15	Lowered height	h13	mm	—	—
	4.19	Overall length	l1	mm	1440	1440
	4.20	Length to face of forks	l2	mm	—	—
	4.21	Overall width	b1/b2	mm	750	750
	4.22	Fork dimensions	s/e/l	mm	—	—
	4.25	Distance between fork-arms	b5	mm	—	—
	4.32	Ground clearance, center of wheelbase	m2	mm	35	35
	Performance data	4.34.1	Aisle width for pallets 1000×1200 crossways	Ast	mm	—
4.34.2		Aisle width for pallets 800×1200 crossways	Ast	mm	—	—
4.35		Turning radius	Wa	mm	1260	1260
Electric-engine	5.1	Travel speed, laden/unladen		km/h	6/6.5	6/6.5
	5.2	Lifting speed, laden/unladen		m/s	0.038/0.40	0.038/0.40
	5.3	Lowering speed, laden/unladen		m/s	0.040/0.038	0.040/0.038
	5.8	Max. gradeability, laden/unladen		%	5/8	5/8
	5.10	Service brake			Electromagnetic	Electromagnetic
Addition data	6.1	Drive motor rating S2 60 min		kW	0.65	0.65
	6.2	Lift motor rating at S3 15%		kW	2.2	2.2
	6.4	Battery voltage/nominal capacity		V/Ah	24/120	24/120
	6.5	Battery weight		kg	50	71
	8.1	Type of drive unit			DC	DC
	10.5	Steering design			Electronic	Electronic
	10.7	Sound pressure level at the driver's ear		dB(A)	60	60

If there are improvements of technical parameters or configurations, no further notice will be given.
The diagram shown may contain non-standard configurations.



Option

No.	Optional items	JX0
2.1	Load wheel type	●Single
2.2	Load wheel material	●PU
2.3	Drive wheel material	●PU
2.7	Battery capacity	●120Ah
2.8	Charger	●24V-15A External
2.9	Battery indicator	●With time
3.3	Castor wheels	●Yes and not customized
3.9	Blue lamp	●Front blue lamp
3.12	Hummer	●Lowering○Driving○Reversing
3.18	Guide wheel	●No○Yes and not customized
3.20	Step on the safety switch with both feet	●No○Yes and not customized
4.7	Overhead guard	●No

Note: ●Standard ○ Optional - Inconformity