



# EST122

## Electric Stacker 1.2T

- Strong chassis
- Rigid mast
- Easy operation
- Efficient hydraulic system

**EP EQUIPMENT CO.,LTD**  
[www.ep-ep.com](http://www.ep-ep.com)



## FEATURES

### Strong chassis

The side impact beam, plates, and boxes make the chassis stronger and can greatly reduce stress and deformation caused by heavy load.



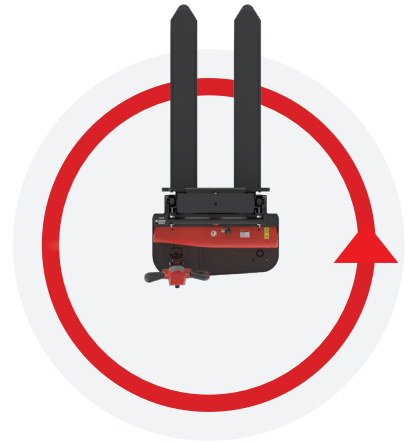
### Rigid mast

The rigidity of the mast is greatly improved by its beam structure to provide smooth lifting and stacking for daily operation.



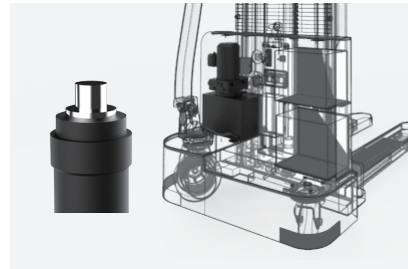
### Easy operation

The extra-long and offset tiller with the crawl speed button provides EST122 a better visibility and nimble maneuverability when operating in tight space.



### Efficient hydraulic system

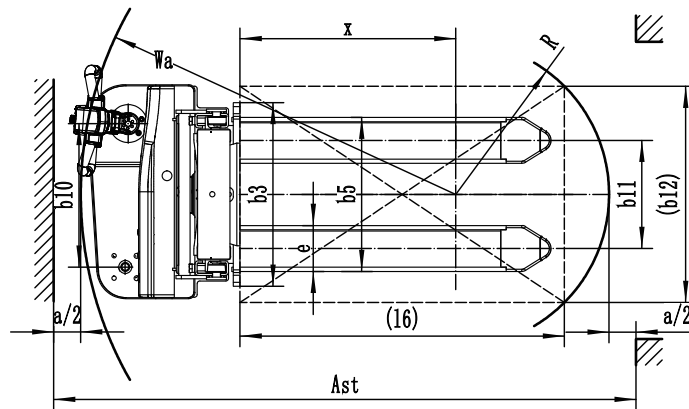
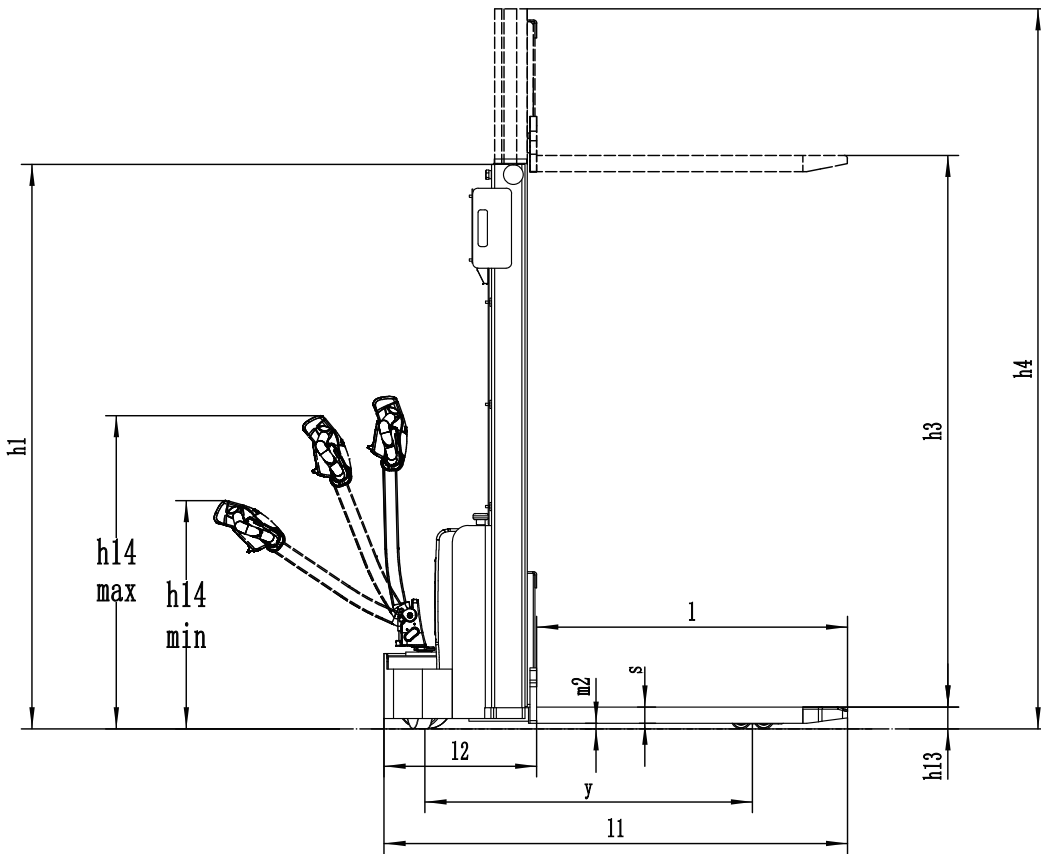
High quality hydraulic pump ensures very little noise, maximum efficiency, durability and shortens lifting time.



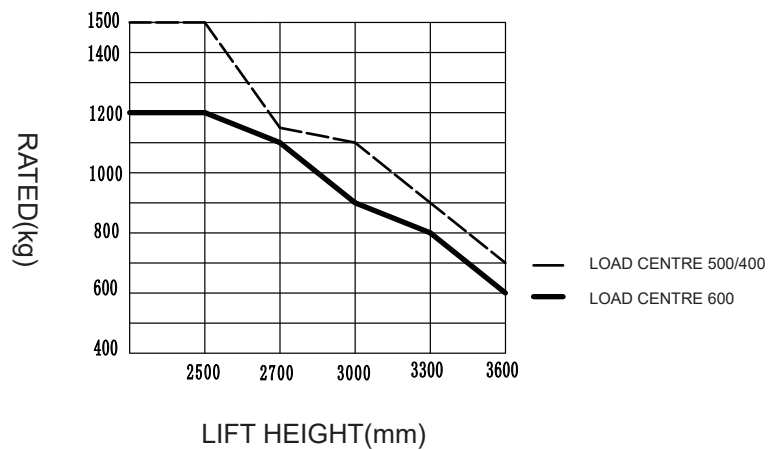
# Electric Stacker 1.2T

## EST122

|                     |   |   |                       |       |                 |
|---------------------|---|---|-----------------------|-------|-----------------|
| Distinguishing mark | 1.1   | Manufacturer  |                       |       | EP              |
|                     | 1.2   | Model designation                                   |                       |       | EST122          |
|                     | 1.3   | Drive   |                       |       | Electric        |
|                     | 1.4   | Operator type                                       |                       |       | Pedestrian      |
|                     | 1.5   | Load capacity                                       | Q                     | kg    | 1200            |
|                     | 1.6   | Load center distance                                | c                     | mm    | 600             |
|                     | 1.8   | Load distance, centre of drive axle to fork         | x                     | mm    | 798             |
|                     | 1.9   | Wheelbase   | y                     | mm    | 1212            |
|                     | Service weight                              | 2.1   | Service weight        |       | kg              |
| 2.2                 |   | Axle loading, laden front/rear                      |                       | kg    | 665/1120        |
| 2.3                 |   | Axle loading, unladen front/rear                    |                       | kg    | 445/140         |
| Tyres/chassis       | 3.1   | Tyre type   |                       |       | Polyurethane    |
|                     | 3.2   | Tyre size, front                                    |                       | mm    | Ø210×70         |
|                     | 3.3   | Tyre size, rear                                     |                       | mm    | Ø74×72          |
|                     | 3.4   | Additional wheels (castor wheels)                   |                       | mm    | Ø130×55         |
|                     | 3.5   | Wheels, number front/rear (x=drive wheels)          |                       | mm    | 1x, 1/4         |
|                     | 3.6   | Tread width, front                                  | b10                   | mm    | 531             |
|                     | 3.7   | Tread width, rear                                   | b11                   | mm    | 405             |
| Dimensions          | 4.0   | Max. Lift Height                                    | H                     | mm    | 2516            |
|                     | 4.2   | Retracted mast height                               | h1                    | mm    | 1856            |
|                     | 4.3   | Free lift   | h2                    | mm    | —               |
|                     | 4.4   | Lift height   | h3                    | mm    | 2430            |
|                     | 4.5   | Height, mast extended                               | h4                    | mm    | 3071            |
|                     | 4.6   | Initial lift  | h5                    | mm    | —               |
|                     | 4.9   | Height of tiller handle in drive position min./max. | h14                   | mm    | 750/ 1340       |
|                     | 4.10  | Height of wheel arms                                | h8                    | mm    | 760/1140        |
|                     | 4.15  | Lowered height                                      | h13                   | mm    | 85              |
|                     | 4.19  | Overall length                                      | l1                    | mm    | 1713            |
|                     | 4.20  | Length to face of forks                             | l2                    | mm    | 563             |
|                     | 4.21  | Overall width                                       | b1/b2                 | mm    | 792             |
|                     | 4.22  | Fork dimensions                                     | s/e/l                 | mm    | 60/ 170/ 1150   |
|                     | 4.24  | Fork carriage width                                 | b3                    | mm    | 680             |
|                     | 4.25  | Distance between fork-arms                          | b5                    | mm    | 570             |
|                     | 4.26  | Distance between wheel arms/loading surfaces        | b4                    | mm    | —               |
|                     | 4.31  | Ground clearance, laden, below mast                 | m1                    | mm    | —               |
| 4.32                | Ground clearance, center of wheelbase       | m2  | mm                    | 25    |                 |
| 4.34.1              | Aisle width for pallets 1000×1200 crossways | Ast   | mm                    | 2290  |                 |
| 4.34.2              | Aisle width for pallets 800×1200 crossways  | Ast   | mm                    | 2225  |                 |
| 4.35                | Turning radius                              | Wa  | mm                    | 1458  |                 |
| Performance data    | 5.1   | Travel speed, laden/unladen                         |                       | km/h  | 4.2/4.5         |
|                     | 5.2   | Lifting speed, laden/unladen                        |                       | m/s   | 0.10/0.14       |
|                     | 5.3   | Lowering speed, laden/unladen                       |                       | m/s   | 0.10/0.10       |
|                     | 5.8   | Max. gradeability, laden/unladen                    |                       | %     | 4/10            |
|                     | 5.10  | Service brake                                       |                       |       | Electromagnetic |
| Electric-engine     | 6.1   | Drive motor rating S2 60 min                        |                       | kW    | 0.75            |
|                     | 6.2   | Lift motor rating at S3 15%                         |                       | kW    | 2.2             |
|                     | 6.4   | Battery voltage/nominal capacity                    |                       | V/Ah  | 2x12V/85Ah      |
|                     | 6.5   | Battery weight                                      |                       | kg    | 2x24            |
|                     | Addition data                               | 8.1   | Type of drive control |       |                 |
| 10.5                |   | Steering design                                     |                       |       | Mechanical      |
| 10.7                |   | Sound pressure level at the driver's ear            |                       | dB(A) | 74              |



RATDE CAPACITIES GRAPH



## Mast Option:

| Mast types      | Lift height<br>h3+h13 (mm) | Height, mast lowered<br>h1 (mm) | Free lift<br>h2 (mm) | Height, mast extended<br>h4 (mm) |
|-----------------|----------------------------|---------------------------------|----------------------|----------------------------------|
| 2-Standard Mast | 2516                       | 1856                            | —                    | 3071                             |
|                 | 2716                       | 1956                            | —                    | 3271                             |
|                 | 3016                       | 2106                            | —                    | 3571                             |
|                 | 3316                       | 2256                            | —                    | 3871                             |

## Option:

| Optional items                    | EST122                 |
|-----------------------------------|------------------------|
| Fork width                        | ○570mm/685mm           |
| Battery capacity                  | 85Ah/105Ah○China       |
| Special backrest                  | —                      |
| Battery indicator with hour meter | ●                      |
| Traction Motor                    | 0.75Kw, DC ●China      |
| Pump Motor                        | 2.2Kw, DC ●China       |
| Driving wheel                     | ○PU wheel with Pattern |
| half speed function in turning    | —                      |
| Mast screen                       | ●iron mesh             |
| Accelerator                       | DTJ07409B-H ●China     |
| Note: ● standard ○ option — NA    |                        |