



ESD122

1.2T Electric Wakie Straddle Stacker

- Adjustable straddle-outrigger design
- Maintenance-free batteries with integrated charger
- Strong chassis and rigid mast
- Easy operation

EP EQUIPMENT CO.,LTD
www.ep-ep.com

FEATURES



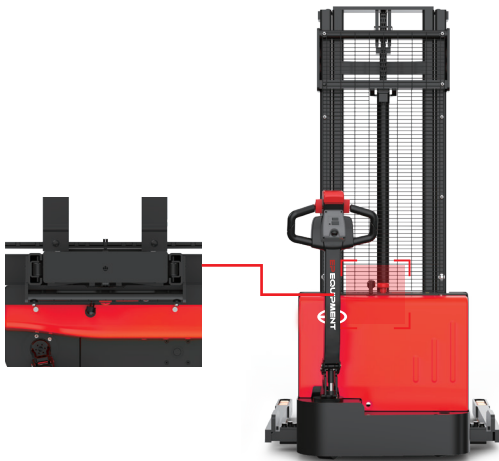
■ Adjustable straddle-outrigger design

ESD122 adopts adjustable straddle-outrigger design to stack various kinds of pallets, making it a perfect tool to cover multi handling tasks in warehouses. The forks of ESD122 is able to go very close to the ground and move right under the pallets without the bottom boards getting in the way. Operators are able to stack various sized pallets and reduce the leg span for efficient storage in a limited space.



■ Strong chassis and rigid mast

The side impact beam, plates and boxes make the chassis stronger and can greatly reduce stress and deformation caused by heavy load. The rigidity of the mast is greatly improved by its beam structure to provide smooth lifting and stacking for daily operation.



■ Maintenance-free batteries with integrated charger

ESD122 comes with two 12V/85Ah AGM batteries and an integrated charger as standard. It's maintenance-free and no special charging room required, which brings users more efficient and flexible operation.



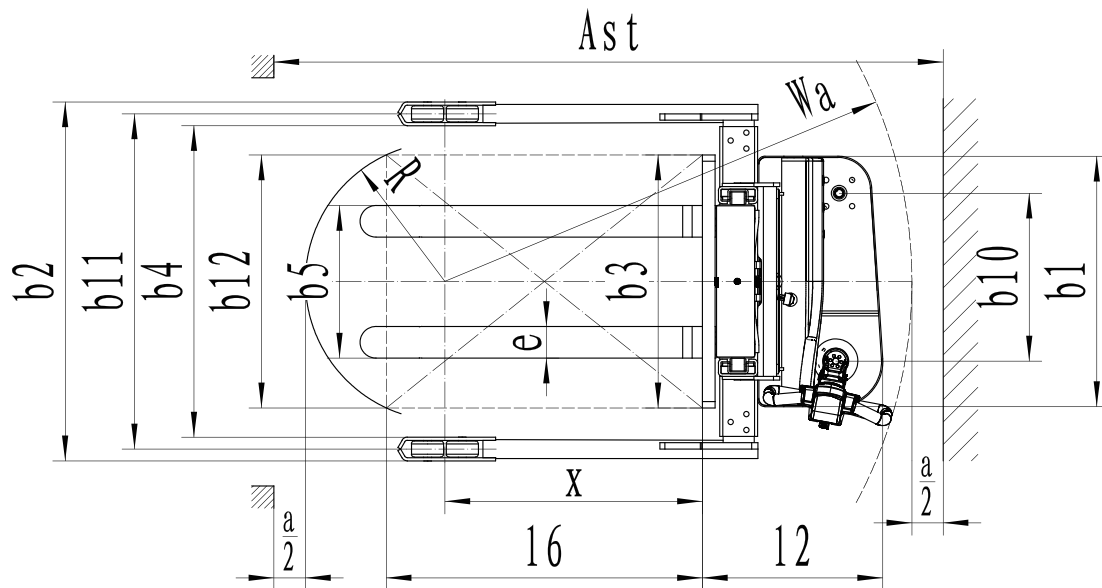
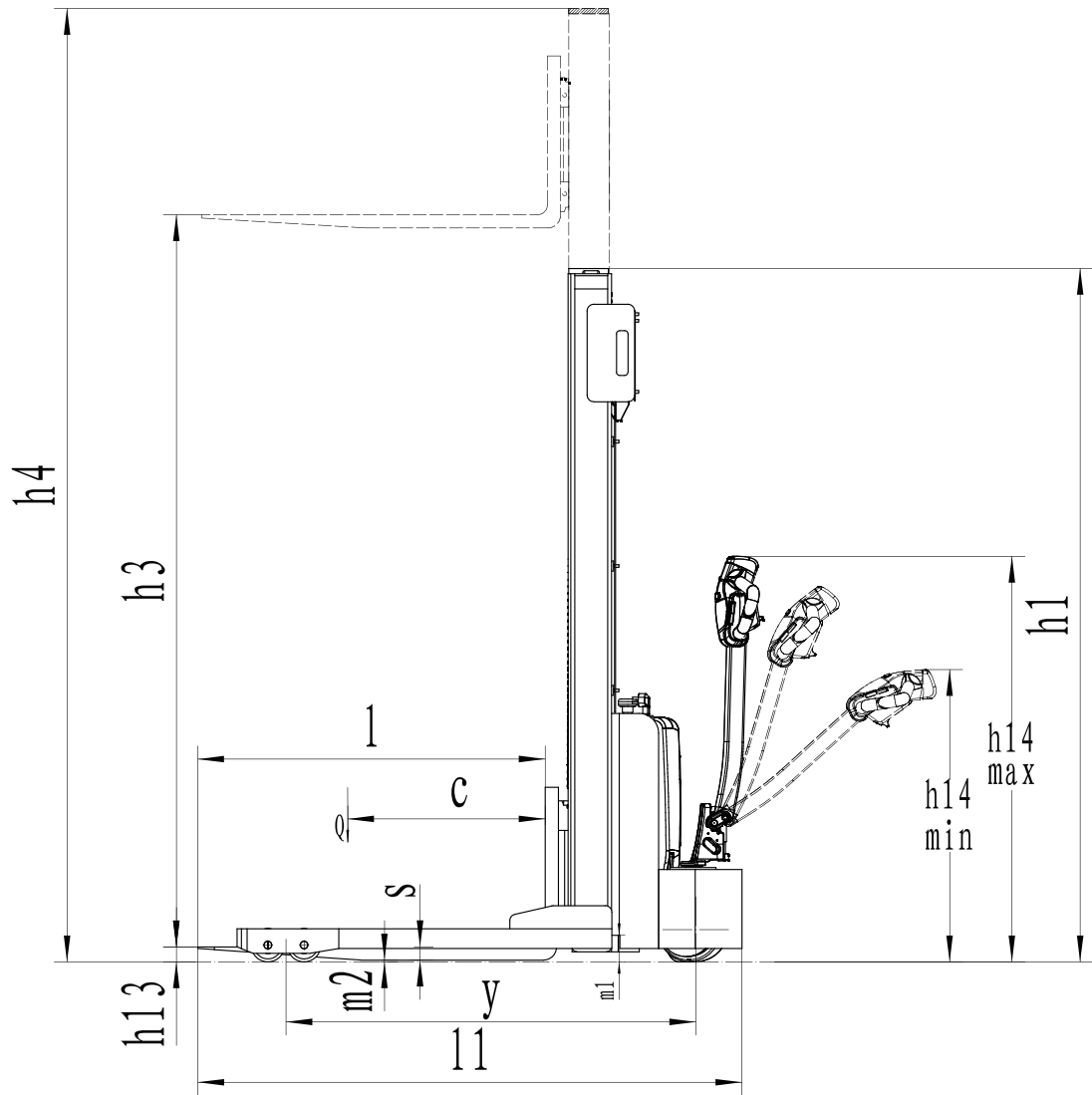
■ Easy operation

The extra-long and offset tiller with the crawl speed button provides ESD122 a better visibility and nimble maneuverability when operating in tight space.

1.2T Electric Wakie Straddle Stacker ESD122

| | | | | | |
|---------------------|---|---|-----------------------|-------|-----------------|
| Distinguishing mark | 1.1 | Manufacturer | | | EP |
| | 1.2 | Model designation | | | ESD122 |
| | 1.3 | Drive | | | Electric |
| | 1.4 | Operator type | | | Pedestrian |
| | 1.5 | Load capacity | Q | kg | 1200 |
| | 1.6 | Load center distance | c | mm | 600 |
| | 1.8 | Load distance, centre of drive axle to fork | x | mm | 815 |
| | 1.9 | Wheelbase | y | mm | 1245 |
| | Service weight | 2.1 | Service weight | | kg |
| 2.2 | | Axle loading, laden front/rear | | kg | 683/1173 |
| 2.3 | | Axle loading, unladen front/rear | | kg | 443/193 |
| Tyres/chassis | 3.1 | Tyre type | | | Polyurethane |
| | 3.2 | Tyre size, front | | mm | Ø210×70 |
| | 3.3 | Tyre size, rear | | mm | Φ100x50 |
| | 3.4 | Additional wheels (castor wheels) | | mm | Φ100x50 |
| | 3.5 | Wheels, number front/rear (x=drive wheels) | | mm | 1x, 1/4 |
| | 3.6 | Tread width, front | b10 | mm | 531 |
| | 3.7 | Tread width, rear | b11 | mm | 1060 |
| Dimensions | 4.0 | Max. Lift Height | H | mm | 2490 |
| | 4.2 | Retracted mast height | h1 | mm | 1856 |
| | 4.3 | Free lift | h2 | mm | — |
| | 4.4 | Lift height | h3 | mm | 2430 |
| | 4.5 | Height, mast extended | h4 | mm | 3071 |
| | 4.6 | Initial lift | h5 | mm | — |
| | 4.9 | Height of tiller handle in drive position min./max. | h14 | mm | 760/1140 |
| | 4.10 | Height of wheel arms | h8 | mm | 100 |
| | 4.15 | Lowered height | h13 | mm | 60 |
| | 4.19 | Overall length | l1 | mm | 1653 |
| | 4.20 | Length to face of forks | l2 | mm | 570 |
| | 4.21 | Overall width | b1/b2 | mm | 1135/1235/ 1385 |
| | 4.22 | Fork dimensions | s/e/l | mm | 35/ 100/ 1070 |
| | 4.24 | Fork carriage width | b3 | mm | 780 |
| | 4.25 | Distance between fork-arms | b5 | mm | 200-760 |
| | 4.26 | Distance between wheel arms/loading surfaces | b4 | mm | 985/1085/1235 |
| | 4.31 | Ground clearance, laden, below mast | m1 | mm | 80 |
| 4.32 | Ground clearance, center of wheelbase | m2 | mm | 20 | |
| 4.34.1 | Aisle width for pallets 1000×1200 crossways | Ast | mm | 2305 | |
| 4.34.2 | Aisle width for pallets 800×1200 crossways | Ast | mm | 2233 | |
| 4.35 | Turning radius | Wa | mm | 1477 | |
| Performance data | 5.1 | Travel speed, laden/unladen | | km/h | 4.2/4.5 |
| | 5.2 | Lifting speed, laden/unladen | | m/s | 0.10/0.14 |
| | 5.3 | Lowering speed, laden/unladen | | m/s | 0.10/0.10 |
| | 5.8 | Max. gradeability, laden/unladen | | % | 3/10 |
| | 5.10 | Service brake | | | Electromagnetic |
| Electric-engine | 6.1 | Drive motor rating S2 60 min | | kW | 0.75 |
| | 6.2 | Lift motor rating at S3 15% | | kW | 2.2 |
| | 6.4 | Battery voltage/nominal capacity | | V/Ah | 2x12/85 |
| | 6.5 | Battery weight | | kg | 2x24 |
| | Addition data | 8.1 | Type of drive control | | |
| 10.5 | | Steering design | | | Mechanical |
| 10.7 | | Sound pressure level at the driver's ear | | dB(A) | 74 |

If there are improvements of technical parameters or configurations, no further notice will be given.
The diagram shown may contain non-standard configurations.



Mast Option:

| Mast types | Lift height h3+h13 (mm) | Height, mast lowered h1 (mm) | Free lift h2 (mm) | Height, mast extended h4 (mm) |
|-----------------|----------------------------|---------------------------------|----------------------|----------------------------------|
| 2-Standard Mast | 2490 | 1856 | — | 3071 |
| | 2690 | 1956 | — | 3271 |
| | 2990 | 2106 | — | 3571 |
| | 3290 | 2256 | — | 3871 |
| | 3590 | 2406 | — | 4171 |

Option:

| No. | Optional items | ESD122 |
|------|--------------------------|-------------------------|
| 1.1 | Fork dimension | ●1070○920○1150○1220 |
| 1.3 | Fork lowered height | ●60 |
| 2.1 | Load wheel type | ●Double |
| 2.2 | Load wheel material | ●PU |
| 2.3 | Drive wheel material | ●PU |
| 2.7 | Battery capacity | ●85Ah |
| 2.8 | Charger | ●24V-10A Internal |
| 3.2 | Fork carriage | ●No○800 |
| 3.3 | Castor wheels | ●Yes and not customized |
| 3.16 | Vertical handler working | ●Yes and not customized |

Note: ●Standard ○ Optional - Inconformity

Rated Capacity:

