

**EDGE**  
THEORY LABS



## The Edge Tub Legacy User Manual

v1.0

# TABLE OF CONTENTS

**PAGE - 01**  
**WARNINGS**

**PAGE - 02**  
**CONTROL PANEL**

**PAGE - 03**  
**PARTS REFERENCES**

**PAGE - 05**  
**SETUP INSTRUCTIONS**

**PAGE - 08**  
**WIFI / APP SETUP**

**PAGE - 11**  
**TAKEDOWN INSTRUCTIONS**

**PAGE - 13**  
**WATER MAINTENANCE**

**PAGE - 14**  
**RECOMMENDED ROUTINE MAINTENANCE**

**PAGE - 15**  
**TROUBLESHOOTING**

**PAGE - 17**  
**LIMITED WARRANTY**

**PAGE - 18**  
**RECOMMENDED ACCESSORIES**



**YOU MUST CONSULT WITH A MEDICAL PROFESSIONAL** to ensure you are medically fit prior to using your Edge Tub. It is important you understand the relevant risks, seriousness of risks and potential consequences of using the tub, either with cold or hot water. As with any receptacle for water, there is the risk of drowning which can be fatal. It is your responsibility to ensure minors are always properly supervised in the Edge Tub and anyone who enters can safely stay above water. The Edge Tub should never be used when impaired under any substance, which could affect your ability to remain awake, conscious and operating with a clear mind. With cold water, there is the risk of hypothermia and anyone using the tub should exercise extreme caution and sensible judgment to exit the Edge Tub before the onset of any

such complications. Extreme caution should be used because as your body becomes colder, movements and circulation in your body may slow down. The use of the Edge Tub with hot water can result in nausea, dizziness and light-headedness. Caution and sensible judgment must be used to prevent any such side effects. Always leave the tub before you are experiencing any such symptoms. You also understand that by using the Edge Tub, you will be solely responsible for its hygiene, sanitation and maintenance. The Edge Tub is only to be used for the explicit purpose of being a recreational cold or hot tub and for no other purposes. The best way to avoid any of the risks of using the Edge Tub is to remain aware of how you are feeling and err on the side of caution.

### DROWNING

- To reduce the risk of injury, do not permit children to use this product unless closely supervised at all times.
- Risk of Accidental Drowning. Extreme caution must be exercised to prevent unauthorized access by children.
- Tub Cover is not a Safety Cover.

### ELECTRICAL

- This product is provided with a ground-fault circuit-interrupter integrated. The GFCI must be tested before each use. To perform the test, first ensure the blue Power Switch on the back of the Chiller is up in the “on” position and then press the orange “T” Test Button above the Power Switch. The Power Switch should flip to the down “off” position. Now flip up the Power Switch to the “on” position. If this test does not cause the Power Switch to turn off, do not proceed, and contact support for assistance. **DO NOT USE IF THIS TEST FAILS.**
- Do not handle electrical outlet with wet hands.
- Do not permit any electric appliance within 5 feet of this product.
- Only use this product with 120v/60hz electrical circuit; outlet must be grounded appropriately.
- Never submerge machine or expose to direct water spray.

### HEALTH

- Elderly persons, pregnant women, infants, and those with health conditions requiring medical care - especially cardiovascular and neurological - should consult with a physician before using this product.
- Cold Water Immersions while under the influence of alcohol, narcotics, drugs or medicines may lead to serious injury and is not recommended.
- Do not use alone.
- Long exposure may result in hyper or hypothermia, nausea, dizziness, or fainting.
- Do not exceed 5 minutes in cold or 30 minutes in hot water; excessive exposure may be harmful to health.
- Always enter and exit the tub slowly and cautiously. Wet surfaces are slippery.

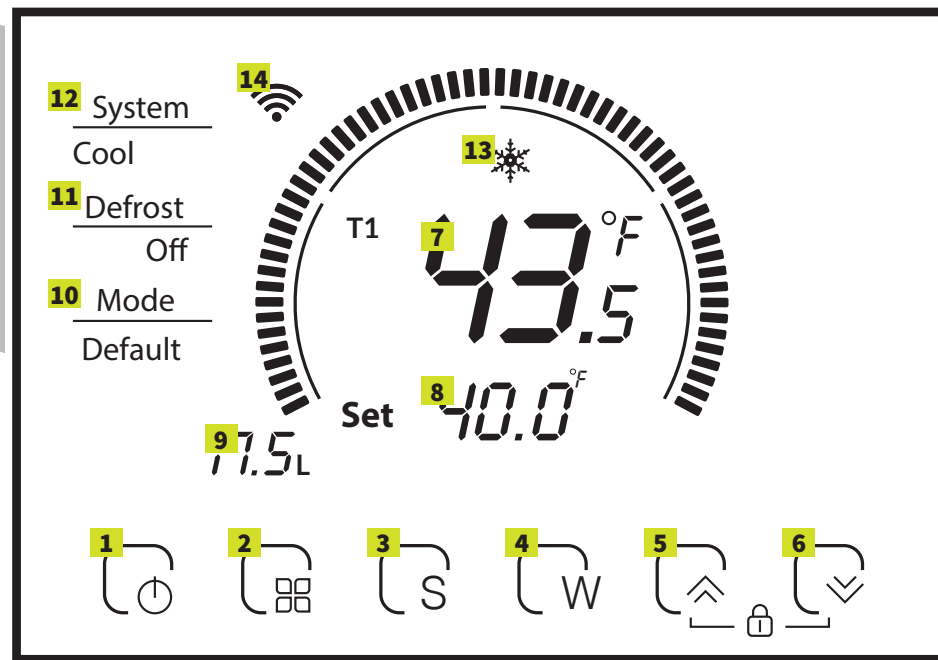
### ADVISORY:

- Pool owners may need to comply with local or state laws relating to childproof fencing, safety barriers, lighting, and other safety requirements. Customers should contact their local building code enforcement office for further details.
- Keep hair, fingers, towels, and other items away from the fan.
- Only professional technicians may work on the system.

### WARNING:

This product can expose you to chemicals including lead, which is known to the State of California to cause cancer.

For more information, go to [www.P65Warnings.ca.gov](http://www.P65Warnings.ca.gov)

**1 - POWER BUTTON**

Press for 2 seconds to turn the *Chiller* On or Off.

**2 - MODE BUTTON**

Press for 5 seconds to switch between Fahrenheit and Celsius.

**3 - SETTING BUTTON**

Press for 1 second to change temperature setting.

**4 - WIFI ACTIVATION BUTTON**

Press for 5 seconds to engage WiFi setup mode.

**5 - UP ARROW**

Press to increase temperature after pressing Setting Button.

**6 - DOWN ARROW**

Press to decrease set temperature after pressing Setting Button.

**5 + 6 - CHILD LOCK**

Press both for 5 seconds to engage Child Lock.

**7 - TUB TEMPERATURE**

Shows temperature of water coming from the *Tub*.

**8 - SET TEMPERATURE**

Shows the desired temperature setting for the *Tub*.

**9 - WATER FLOW INDICATOR**

Shows the water flow of *Chiller* in liters per minute.

**10 - MODE INDICATOR**

Shows mode *Chiller* is operating in ("Default" is normal function).

**11 - DEFROST INDICATOR**

Shows if *Chiller* is defrosting. Will only display "off" as there is no defrost function.

**12 - COOL/HEAT SYSTEM INDICATOR**

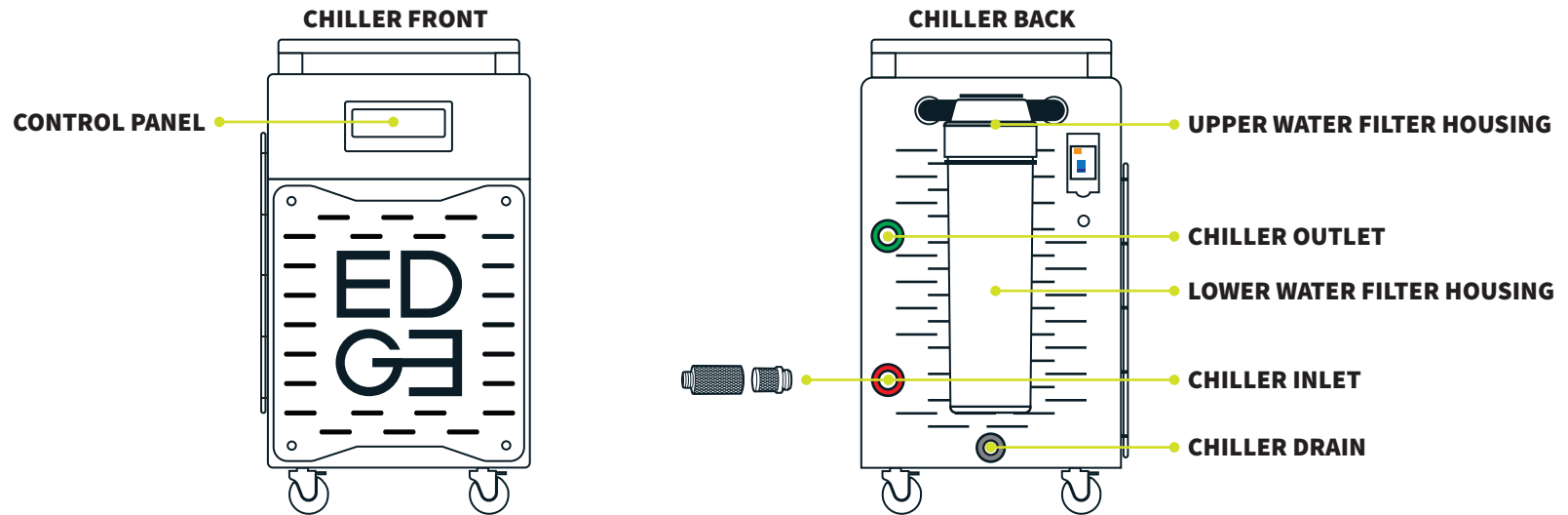
Shows if *Chiller* is actively cooling ("Cool").

**13 - COMPRESSOR STATUS**

Shows when compressor is running.

**14 - WIFI INDICATOR**

Shows Wifi status. Solid for connected, blinking for setup mode. Blank for disconnected.

**CHILLER**

The main unit which chills, circulates, and filters the water.

**CHILLER DRAIN**

The drain with cap at the middle bottom on the rear of the chiller. This is meant to be opened to allow the machine to drain water out when the Chiller is being moved or packaged.

**PROTECTIVE CAPS**

The protective caps that thread on the Chiller Inlet and Outlet ports.

**CHILLER HOSES**

The flexible hoses are used to flow water from the Edge Tub to the Chiller.

- **Hose Connection Fittings**

The fittings on the end of each hose. They connect the Chiller Hoses to the Chiller Inlet/Outlet and Tub Valve Fittings.

- **Hose O-Rings**

The o-rings in the hose connections. These are vital for water-tight and air-tight connections with the Chiller Hoses and Tub or Chiller.

**CHILLER INLET (RED)**

The connection on the chiller, which incoming water enters through. This is marked with a red ring.

**CHILLER OUTLET (GREEN)**

The connection on the chiller, which outgoing water leaves through. This is marked with a green ring.

**CONTROL PANEL**

The visual readout including Tub Temperature, Set Point, and the Control Buttons (detailed in Control Panel section).

**DOUBLE ACTION AIR PUMP**

The air pump to inflate and deflate the Edge Tub.

**EXTERNAL WATER STRAINER**

The assembly of parts that is used to prevent any debris from entering the Chiller. It connects to the Chiller Inlet (red) and is made up of the Water Strainer Cover, Strainer O-Ring, and Inner Water Strainer.

- **Inner Water Strainer** 

The cylindrical mesh element that attaches to the Chiller Inlet (red).

- **Strainer O-Ring**

The o-ring at the base of the External Water Strainer connection (red) on the Chiller.

- **Water Strainer Cover** 

The metal cover that will screw on the Chiller Inlet (red) over the Inner Water Strainer.

**INFLATION VALVE**

The port used to inflate the Edge Tub with the Double Action Air Pump. Includes the Inflation Valve Cap, and Inflation Valve Pin.

- **Inflation Valve Pin**

The spring loaded component of the Inflation Valve that is exposed when the Inflation Valve Cap is removed.

**MEASURING CUP**

This is a 30cc measuring cup to use for sanitizer and oxidizer dosing.

**OXIDIZER**

This Sirona Simply Oxidizer is part of the water maintenance protocol for the water in the tub. Refer to the maintenance instructions for proper use.

**TUB**

The inflatable tub.

**TUB COVER**

The lockable cover for your tub.

- **Locking Buckles**

The locking buckles on the tub cover that fasten and lock the cover to the tub when not in use.

**VALVE FITTING**

The connection elbow/valve that connects the Tub Fittings to the Chiller Hoses running from the chiller. The parts of the Tub Valve Fitting are the Threaded Collar, Elbow, and Valve.

- **Elbow**

The 90 degree section of pipe connecting the Connection Ring and the Valve.

- **Threaded Collar**

The female rotating threaded component on the Tub Valve Fitting that connects to the Tub Fitting.

- **Valve**

The stainless steel valve that controls water flow.

**WATER FILTER HOUSING**

The assembly which houses the Water Filter. Includes the Upper Water Filter Housing and Lower Water Filter Housing.

- **Filter Housing O-ring**

The filter housing o-ring is located in the Upper Water Filter Housing and is used to create an air tight connection between the Lower and Upper Water Filter Housings.

- **Filter Housing Wrench**

The wrench designed to be used when the Lower Water Filter Housing is too tight to loosen by hand. Do not use the wrench to tighten the filter housing when setting up or changing the filter.

- **Lower Water Filter Housing**

The filter housing which holds the water filter and connects to the back of the chiller (lower clear part).

- **Upper Water Filter Housing**

The water filter housing connection point (upper white part) on the rear of the chiller.

- **Water Filter**



The water filter is used to filter debris from the water running through the chiller. This is placed into the Lower Water Filter Housing.

**SETUP:**

Detailed setup videos can be found here.

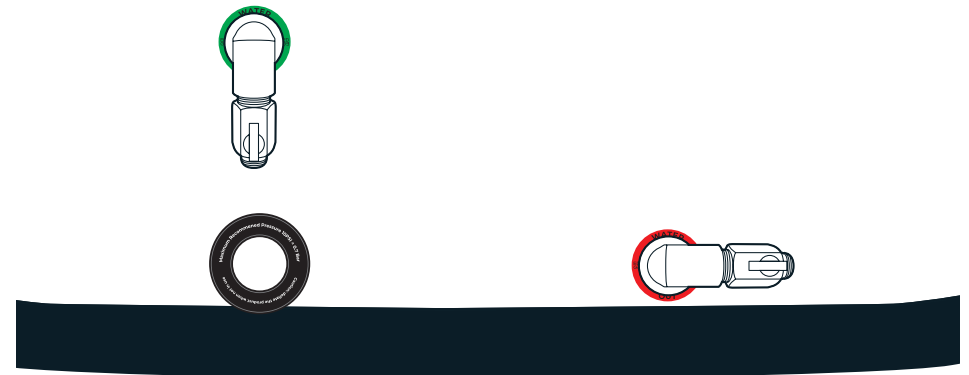
<https://www.edgetheorylabs.com/pages/edge-support>

**STEP 1) UNBOX YOUR CHILLER AND TUB**

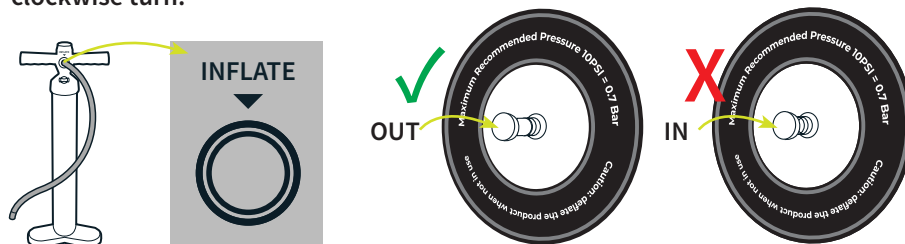
Remove the *Chiller* and *Tub* from their shipping cartons. We recommend keeping the *Chiller* box for future transportation needs. Select a flat, clean and smooth surface. A water source and 120v power source should be accessible. If outdoors, we recommend setting the *tub* up in a sheltered area for longevity of your product. If using a *Protection Mat*, first place the mat down and unfold the *Tub* in desired orientation.

**STEP 2) INSTALL THE VALVE FITTINGS**

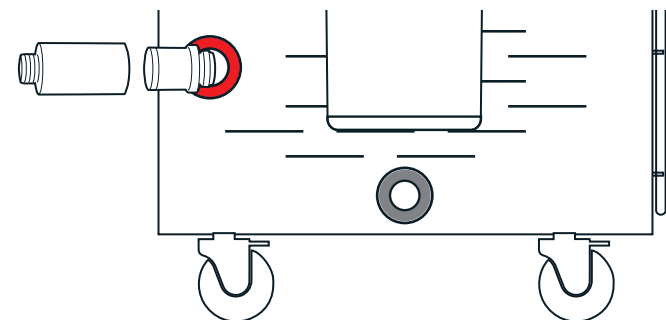
Attach the *Valve Fittings* to the *Tub* “water out” (red), and “water in” (green) fittings by rotating it clockwise until hand tight. Do not tighten with tools. The *Valve Fittings* should be oriented as shown.

**STEP 3) INFLATE THE TUB**

Inflate the *Tub* with the *Double Action Air Pump*. Ensuring the hose is connected to the “Inflate” side of the pump. Open the *Inflation Valve* on the *Tub* by rotating counterclockwise. The *Inflation Hose* connects to the *Inflation Valve* with a quarter turn clockwise. When inflating the *Tub*, check to ensure that the *Inflation Valve Pin* is in the depressed (out) position or the air will be released after the hose is detached. Inflate until the gauge reads 10 PSI. Do not over inflate or product damage will occur. Replace the *Inflation Valve* cap with a clockwise turn.

**STEP 4) INSTALL THE EXTERNAL WATER STRAINER**

Remove the *Protective Cap* of the red “Inlet” fitting on the *Chiller* by rotating counterclockwise. Install the *Inner Water Strainer* into the red “Inlet” by turning clockwise. Next, install the silver *Water Strainer Cover*. This fits over the *Inner Water Strainer* and should be screwed to hand tight.





**SETUP:**

Detailed setup videos can be found here.

<https://www.edgetheorylabs.com/pages/edge-support>

**STEP 5) CONNECT THE CHILLER TO THE TUB**

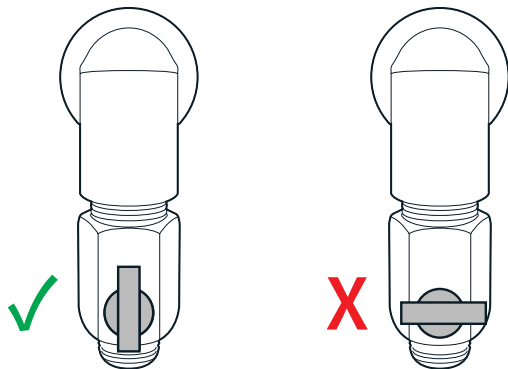
First check that there is a *Hose O-Ring* inside each of the four *Hose Connection Fittings*. If not, place an o-ring from the spare parts bag. The green “Water In” fitting on the *Tub* should connect to the green “Outlet” on the *Chiller*. The red “Water Out” fitting on the *Tub* should connect to the red “Inlet” on the *Chiller*. To tighten, thread on the *Hose Connection Fittings* and rotate clockwise. The threads should tighten easily and smoothly. If resistance is felt, try attaching the hose again. Hand tighten only. Overtightening may cause leaking or damage.

**STEP 6) FILL THE TUB**

Check that the *Chiller Drain Cap* and hoses are in place. Remove the *Lower Water Filter Housing*, insert a filter and fill with water. Ensure the *Filter Housing O-Ring* is in place in the *Upper Water Filter Housing*. Install the *Lower Water Filter Housing* by turning right if facing the back of the *Chiller* until hand tight. Do not use the filter wrench to tighten the water filter housing (for loosening only). The *Tub* can now be filled with water up to “Fill Level” line. Overfilling may cause water to overflow from the *Tub* for some users, though you may fill to your preference.

**STEP 7) OPEN VALVES**

Once the *Tub* has been filled, confirm the *Tub Valve Fittings* are in the open (parallel) position. Ensure this step has been completed to prevent damage to *Chiller*!

**STEP 8) POWER ON THE CHILLER**

Plug the *Chiller* into a standard 120v grounded power supply with 15 amp minimum circuit and test the GFCI functionality. To perform the test, first ensure the *Power Switch* on the back of the *Chiller* is up in the “on” position and then press the orange “T” *Test Button* above the *Power Switch*. The *Power Switch* should flip to the down “off” position. Now flip the *Power Switch* back up to the “on” position. If this test does not cause the *Power Switch* to turn off, do not proceed, and contact support for assistance. Place the *Power Plug* in an elevated position off the ground and away from water. Do not handle with wet hands. You may now turn on the *Chiller* by pressing the “Power On” button on the display screen. The *Chiller* may take up to 2-3 minutes to purge air from the system and will flash “o1.x” or “o2.x” while purging. Once this has been completed, this code will change to the current water temperature and the *Chiller* will begin cooling or heating. If the “FL” (Flow) error appears, or if this step takes longer than 2-3 minutes, check that the *Valves* are open, and that the hose connections and filter housing are connected properly, and then repeat this step.



**SETUP:**

Detailed setup videos can be found here.

<https://www.edgetheorylabs.com/pages/edge-support>

**STEP 9) CHOOSE YOUR TEMPERATURE**

To change the set temperature, press and hold the “S” key for 1 second until the set temperature flashes. Use the up or down arrows to set your desired temperature. Press the “S” key once more to lock the setting and stop the set temperature flashing. Your *Tub* will reach minimum temperature in about 5 hours depending on ambient temperature and set temperature.

**STEP 10) STARTUP WATER SANITATION**

Prior to use, the water should be treated with the startup *Sanitizer* dose. The startup dose is below and should be used any time the water is replaced in the *Tub*.

- A. Add 60cc (2 Measuring Cups) of *Oxidizer* into water.
- B. Wait 15 minutes.
- C. Add 15cc (½ Measuring Cup) of *Sanitizer* into water.
- D. Wait 15 minutes before use.

Please refer to Maintenance Instructions for weekly water maintenance protocol.

**STEP 11) COVER YOUR TUB**

Finally, put the *Cover* on if the *Tub* will not be immediately used, and secure the four Locking Buckles. Use of Buckle Combination Lock is recommended for all users, but especially for those with children. To set combination of Locking Buckles:

- A. The original code is preset to “00.”
- B. To change or set:
  1. Locate the pin in the side, depress the pin with a jewelers screwdriver, pen or toothpick.
  2. While still depressing the pin, rotate the dial to your desired number.
  3. If a number wheel gets stuck after you adjust the code, push the pin on the opposite side to release the wheel.
  4. Do this for each side, one for each number.
  5. Repeat above for each buckle.

**ENJOY YOUR NEW EDGE LEGACY TUB**

Please watch the Water Maintenance Instructional video for the weekly protocol you need to follow to ensure the water stays clean and clear. Enjoy!

Download and install the EDGE App by clicking this link <http://www.edgetheorylabs.com/app>

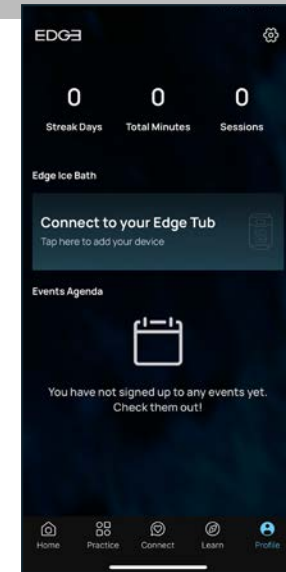
**STEP 1)**

Ensure the device you are using is connected to the WiFi network that you wish to connect the *Chiller* to, and open the Edge App. Navigate to the Profile tab.

**Important Note:** The Edge App when connecting to your *Chiller* only works with 2.4 GHz wireless networks. Many wireless networks utilize 5 GHz and may need to be configured at 2.4 GHz. Please contact the manufacturer of your Wi-Fi router for support on this matter if you experience trouble.

**STEP 2)**

Tap “Connect to your Edge Tub.”

**STEP 3)**

Now you may turn on the *Chiller* if not already.

Be sure the *Chiller* is near your phone and within range of the desired wireless network.

Click the continue button.

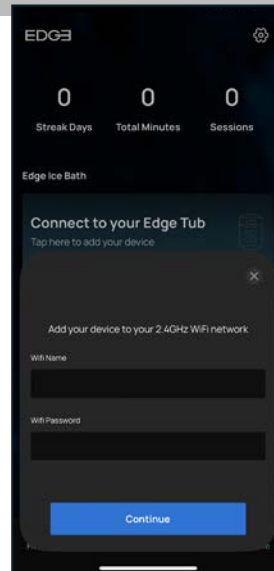
**STEP 4)**

Press and hold the “clock” or “W” button (depending on model) on your *Chiller* for 10 seconds until the Wi-Fi indicator on the display flashes.

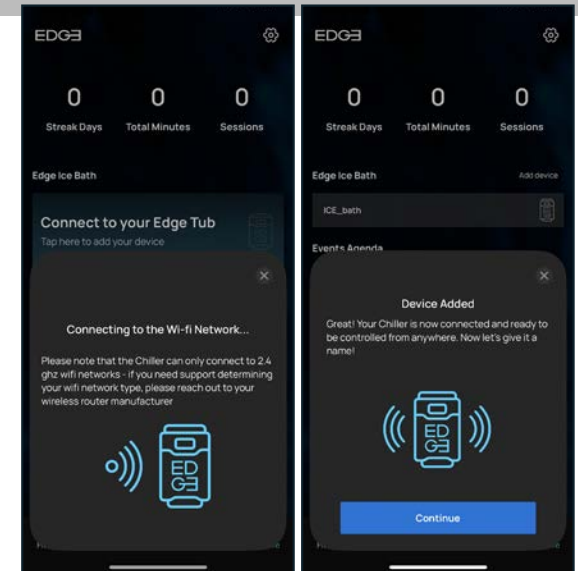
Download and install the EDGE App by clicking this link <http://www.edgetheorylabs.com/app>

**STEP 5)**

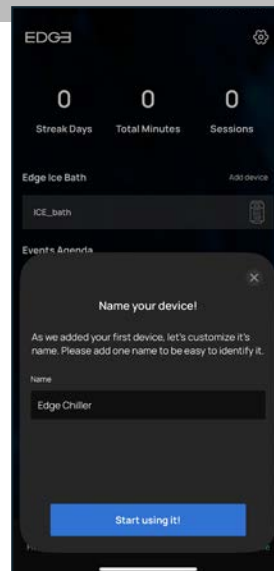
Input your wifi network name and password.

**STEP 6)**

The App will attempt to connect to the *Chiller*. Once connected, tap continue.

**STEP 7)**

Select a name for your *Chiller* and tap continue.

**STEP 8)**

Select a set temperature.

Congratulations! Your *Chiller* is connected to the Edge App! You can control your *Chiller* through our App interface.

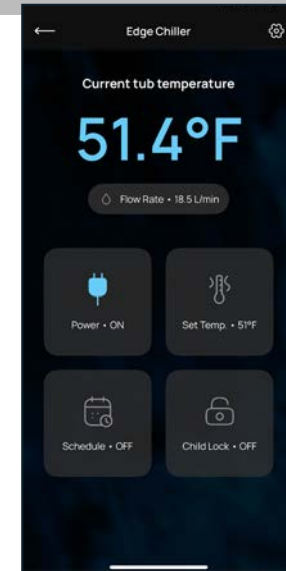
Download and install the EDGE App by clicking this link <http://www.edgetheorylabs.com/app>

**STEP 1)**

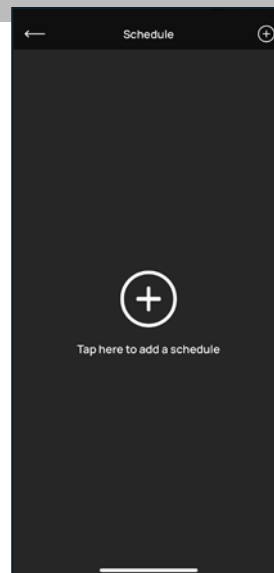
If you have not set up your Edge *Chiller*, refer to “Connecting your *Chiller*” instructions first before proceeding. Open the Edge App and navigate to the Profile tab. Tap on your connected *Chiller*.

**STEP 2)**

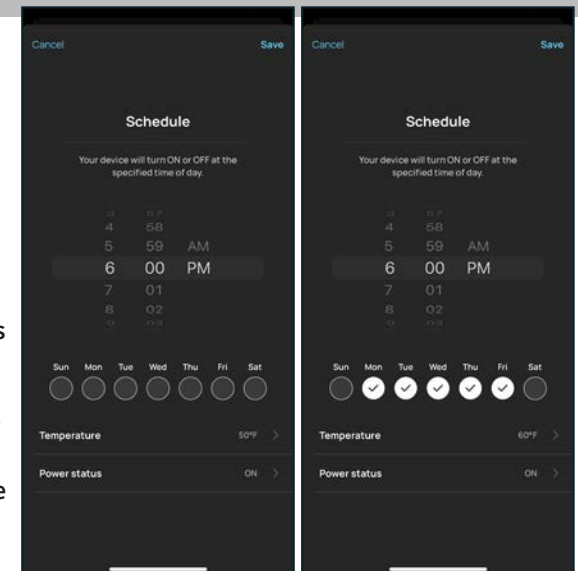
Tap on Schedule, the bottom left square.

**STEP 3)**

Once in the schedule screen, tap to add a new schedule.

**STEP 4)**

**Build a new Schedule:** Select a time that you would like to have the *Chiller* turn on or off. Select days that you would like the chiller to adhere to this schedule. Select a desired temperature for the *Chiller* to achieve. Note, the *Chiller* will require time to reach this temperature if far from the current water temperature. Select if you'd like the *Chiller* to turn on or off at this selected time. Tap save in the upper right corner.



You have successfully created a new schedule.

**TAKEDOWN:**

Detailed takedown videos can be found here.

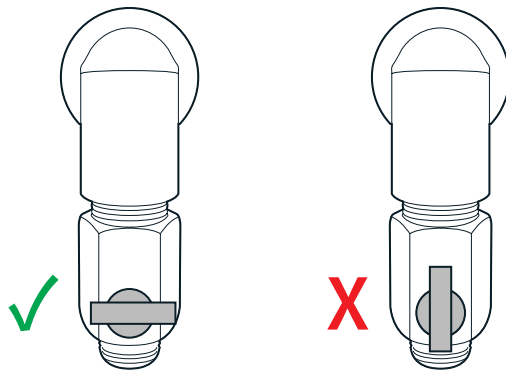
<https://www.edgetheorylabs.com/pages/edge-support>

**STEP 1) TURN THE CHILLER OFF**

Turn the *Chiller* off by toggling the *Power Switch* on the back of the *Chiller* to the down “off” position.

**STEP 2) CLOSE THE VALVES**

Turn the *Tub Valve Fittings* to the closed (perpendicular) position (see image).

**STEP 3) DRAIN THE TUB**

There are three methods that can be used to drain the *Tub*:

- A. Disconnect the red “Water In” hose from the *Chiller*. Direct the hose to the desired area for drainage and open the valve. Water will flow out of the hose until it reaches the *Lower Water Fitting*. The remaining water can be removed by turning the *tub* over.
- B. Disconnect both hoses from the *Tub*. The red “Inlet” hose from the *Chiller* should be placed inside the *tub*. The green “Outlet” hose from the *Chiller* should be directed to the desired location for drainage and the *Chiller* can be turned back on. The *Chiller* will pump water out. The *Tub* can be tipped as the water level gets low to remove the last bit of water. Be sure to turn off the *Chiller* immediately when the *Tub* has been drained to avoid damaging the *Chiller*.
- C. Purchase a submersible Sump pump. Connect your garden hose to the pump and drop the pump into the water. When you plug the pump in, water will begin draining. Please visit our help center or reach out for recommendations on Sump pumps.

**STEP 4) DISCONNECT THE HOSES**

Once the *Tub* is drained, the hoses can be disconnected from the *Tub* and *Chiller* by rotating the *Hose Connection Fittings* counterclockwise, and the *Chiller* can be unplugged.

**STEP 5) DRY THE TUB**

The *Tub* should now be dried inside and out (including bottom) with a towel to prevent mildew. This is also a good time to clean the *Tub* with mild soap and water.

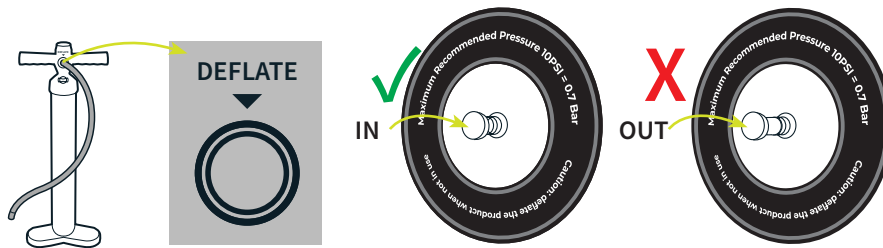
**TAKEDOWN:**

Detailed takedown videos can be found here.

<https://www.edgetheorylabs.com/pages/edge-support>

**STEP 6) DEFLATE THE TUB**

Remove the *Inflation Valve Cap*. Press the *Inflation Valve Pin* to allow the air to be released. The air release will be aggressive so don't be startled! Remove the remaining air by attaching the *Inflation Hose* to the "Deflate" side of the *Double Action Hand Pump*. When deflating the *Tub*, check to ensure that the *Inflation Valve Pin* is in the depressed (out) position (see image). Deflate until all air has been removed and remove the inflation hose. Replace the *Inflation Valve Cap*. The *Tub Valve Fittings* should be removed.

**STEP 8) PACK THE TUB**

Place the *Tub*, *Cover*, *Hoses*, and *Double Action Air Pump* into the backpack. This is best done by starting with the *Tub*, then the *Tub Cover*, then *Double Action Air Pump*, and finally the *Hoses*.

**STEP 7) FOLD THE TUB**

The *Tub* can now be folded for storage. First fold the branded "Edge Theory Labs" wall of the *Tub* inward. The back wall of the *Tub* can now be folded over the branded side of the *Tub* so that the tub is flat. Fold the right side of the *Tub* towards the center, with the fold being just outside the water fitting, and repeat on the left side. Hold the tri-folded *Tub* with one hand, and with the other, place the *Storage Strap* under the *Tub*. Fasten the *Storage Strap* and tighten (see images).

**STEP 9) DRAIN THE CHILLER**

First, remove the *Chiller Drain Cap*. Then, unscrew and empty the *Lower Water Filter Housing*. Then, unscrew the *External Water Strainer*. The unit can be tipped slightly back to remove water inside the *Chiller*. Once drained, replace the *Chiller Drain Cap* and *Lower Water Filter Housing*. Finally, replace the protective *Chiller Fitting Caps* on the Inlet/Outlet connections.

**TAKEDOWN COMPLETE**

You are now ready to take your adventure on the road!

**INITIAL SETUP:**

- Add 60cc (2 Measuring Cups) of Oxidizer into water
- Wait 15 minutes
- Add 15cc (1/2 Measuring Cup) of Sanitizer into water
- Wait 15 minutes before entry into Tub

**WEEKLY MAINTENANCE****SUMMARY:**

There's 3 simple steps for weekly maintenance that take about 15 minutes to ensure that your *Tub* is running properly and the water is clean and clear. The first step is checking the water chemistry, then the *External Water Strainer*, then the *Water Filter*.

**STEP 1) CHECK THE CHEMISTRY**

- Start by adding 30cc (1 Measuring Cup) of *Oxidizer* for low volume (5 to 7 plunges per week) or 60cc (2 Measuring Cups) for high volume (7+ plunges per week).
- Wait 15 minutes.
- Immerse *Test Strip* to a depth of 6" for 2 seconds. Remove and shake once to remove excess water. Wait 10 seconds and compare to color chart on back of bottle. If *Sanitizer* shows below the "OK" range, add 10cc (1/3 Measuring Cup). Wait 15 minutes and test again. Repeat test and add more *Sanitizer* if necessary.
- If Alkalinity, pH, or Calcium are outside of desired range, balancers can be purchased through our website. Of these, pH is most important to have in the right range.

**STEP 2) CHECK EXTERNAL WATER STRAINER**

- Turn off *Chiller*, and close *Tub Valves* by turning handle perpendicular to the valve body.
- Remove the bottom red "*Inlet*" *Chiller Hose* from the *Chiller*. Remove *Water Strainer Cover* by twisting counterclockwise and check *Inner Water Strainer* for debris; remove any foreign materials present. Use brillo pad or rough sponge if necessary. Check the *Strainer O-ring* at the base of the threads is present and free from damage before reinstalling *Water Strainer Cover*.

**STEP 3) CHECK WATER FILTER**

- Check *Water Filter* condition by comparing to the diagram below. If the condition is in the "Replace" range, or if the flow reading on the *Control Panel* reads less than 13.0 L/min, then replace the filter with a new one. To access the *Water Filter*, turn the *Lower Water Filter Housing* to the left if facing the back of the *Chiller*. When changing the filter, empty water from *Lower Water Filter Housing* fully and refill up to the top with fresh water.
- Ensure the *Filter Housing O-ring* in the *Upper Water Filter Housing* (white part) is present and free from damage before reinstalling filter housing.
- Be sure to open the *Tub Valves* before turning the *Chiller* back on, or damage will occur!





To ensure the longevity of your Edge Tub, it is recommended to perform maintenance on your Chiller and Tub on a regular basis. This maintenance protocol will help ensure that the Chiller functions as expected and that the

water quality of the Tub is kept clean. The steps below should be performed every three months.

### TUB

1. Disconnect the *Tub* from the *Chiller*.
2. Drain all water from the *Tub* and *Chiller Hoses*.
3. Using mild soap and water, wash down the inside and outside of the *Tub* using a washcloth or soft sponge. Place the *Chiller Hoses* inside the *Tub* and run soapy water through them.
4. Rinse *Tub* and *Chiller Hoses* off with clean water.
5. Allow *Tub* and *Chiller Hoses* to air dry completely; preferably in direct sunlight.
6. Any marks or scuffs on the *Tub* can be removed by lightly scrubbing with a moistened Magic Eraser. Do not scrub aggressively or it may damage the material. Do not use on any logos or printed areas!
7. Check air pressure of the *Tub* by connecting the *Double Action Air Pump* and refilling to 10 PSI.
8. Check the area where the *Tub* was located for any signs of mildew buildup and clean if necessary. If large amounts of mildew buildup are noticed, the *Tub* may need to be placed on a material that can breathe to allow water to evaporate.
9. Refill with water and perform initial *Sanitizer* protocol to sanitize the new water.

### CHILLER

#### Descaling

1. Disconnect the *Chiller Hoses* from the *Tub*. Ensure *Tub Valve Fittings* are in the closed (perpendicular) position if the *Tub* still contains water.
2. Place both ends of the *Chiller Hoses* into a 5 gallon bucket or similar container. Fill with distilled white vinegar (cleaning vinegar) and water at a 1:4 ratio.
3. Turn on the *Chiller* and set the temperature to 85°. The *Chiller* will not warm the water, but will hold ambient temperature. Allow the *Chiller* to circulate water for 30 minutes.
4. Turn off the *Chiller* and empty the bucket of water. Refill with clean water. Place *Chiller Hoses* back in the bucket and run the *Chiller* for another 30 minutes. The descaling process is now complete.

### HOUSING MAINTENANCE

1. With a soft cloth, wipe down the exterior of the *Chiller* with mild soap and water.
2. Wipe off all soap residue with damp cloth.
3. With *Chiller* Off, inspect fan and remove any debris that may be on or around the fan shroud.

## WATER CIRCULATION TROUBLESHOOTING

## Step 1)

The code o1.x or o2.x is shown on the display at startup and when *Chiller* is priming with water. This screen is normal when establishing water circulation which can take up to 2-3 minutes, especially if the *Chiller* and/or *Chiller Hoses* were recently drained of water.

If after 5 minutes the machine has still not established water circulation, please check each of the following. The *Chiller* can be tested in between each step:

- A. Ensure that the *Tub Fitting Valves* are in the open (parallel) position and hoses are connected without leaks.
- B. Check that the *Water Filter* and *Inner Water Strainer* are clean and clear of debris. You can find instructions to replace and clean these parts on our Maintenance Page. It is a good idea to proactively replace the *Water Filter* even if it looks clean as minerals can block the filter but may not show discoloration.
- C. Check the *Hose O-Rings* on each end of the *Hose Connection Fittings*. They should be fully seated at the bottom of the threaded fitting and when attached, the connection should only be tightened until a little resistance is felt and hose no longer wiggles at connection point. Do not use tools to tighten.
- D. Remove the *Lower Water Filter Housing* and ensure that the *Filter Housing O-Ring* in the *Upper Water Filter Housing* (white part) is present and not damaged. If you have a purple tinted *Lower Water Filter Housing*, check that the lower *O-ring* is present as well. When reinstalling the *Lower Water Filter Housing*, fill with water to the top and tighten only until a little resistance is felt. Do not overtighten or it will deform the gasket and potentially damage the *O-Rings*.
- E. Ensure the *Strainer O-Ring* on the *External Water Strainer* is present and not damaged. Replace if necessary from the spare parts kit. The *Water Strainer Cover* should be hand tightened until it stops.

If the steps above do not resolve the issue, please move on to the next step.

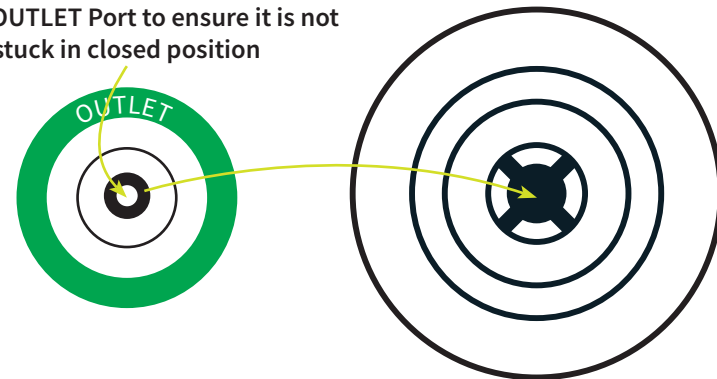
## WATER CIRCULATION TROUBLESHOOTING (CONTINUED)

## Step 2)

*Check Valve* (Outlet Port)

There is a *Check Valve* inside the outlet port on the *Chiller*. This can become stuck in the closed position and prevent water from flowing through the unit. If you notice that the *Chiller* is trying to prime but no bubbles are coming out from the Tub water-in fitting, this is a possible resolution. You will first close the *Valves* by rotating to the Closed (perpendicular) position. Then Remove the *Outlet Chiller Hose* and check to see if the little pin in the valve is stuck outward (toward you). If it is stuck outward, use a small screwdriver and press on it gently. If it was indeed stuck, you will feel / hear a little click that indicates the *Check Valve* has returned to position. Reinstall the *Chiller Hose*, open the *Tub* valve, and try *Chiller* again.

Check OUTLET Port to ensure it is not stuck in closed position



## Step 3)

## Air Trapped in Unit

If you have recently taken a *Chiller Hose* off of the *Chiller* or *Tub* (For example, to clean the *Inner Water Strainer*), it is possible that an air lock can be created within the *Chiller*. We will want to release this air lock in the system by loosening the *Lower Water Filter Housing*. Loosen the housing until it is completely off, fill up with water to the top, and reinstall.

If the steps above do not resolve the problem, please contact: [support@edgetheorylabs.com](mailto:support@edgetheorylabs.com) so that we can further assist you!

**• HOSE CONNECTIONS LEAKING:**

Check to ensure gasket is in place; Disconnect and reconnect Chiller Hose, ensuring snug hand tight connection; Replace Hose O-Ring with new one.

**• TUB DEFLATES IMMEDIATELY AFTER INFLATING:**

When inflating, ensure that the Inflation Valve Pin is in the depressed (out) position prior to hooking up the Inflation Hose; if unsuccessful, Tub Inflation Valve may be damaged and require replacement.

**• TUB DEFLATES OVER TIME:**

Temperature change may cause air pressure in Tub to change slightly, re-inflate accordingly; If deflation continues regularly, use the air valve wrench, and tighten the valve assembly. If deflation continues, an air leak may be present. Air leaks can be found by using soapy water to locate the leak, and then the included repair kit can be used to prevent further leaking.

**• CHILLER WILL NOT TURN ON:**

Ensure Chiller is plugged into an active power source and ensure the Power Switch on the back of the Chiller is up in the “on” position. Press the orange “T” Test Button above the Power Switch. The Power Switch should flip to the down “off” position. Now flip the Power Switch back up to the “on” position. If this test does not cause the Power Switch to turn off, do not proceed, and contact support for assistance.

**• WATER IS DRIPPING FROM CHILLER:**

During heating mode, condensation may develop inside the Chiller in certain high humidity conditions. A small amount of water drainage from the Chiller is normal in this circumstance; Check Hose Connections are secure and that they are tight and have O-Rings in place; Check Water Filter Housing connection and that it is tight and has the Filter Housing O-Ring in place; Check Drain Plug Cap is in place and tight.

**• WHEN TEMPERATURE SET POINT IS INCREASED, CHILLER DOES NOT STOP RUNNING:**

If changing from a low set point to a higher one, or vice versa, the Chiller will switch from Cooling mode to Heating mode to reach the new set point. The Chiller will also cool or heat to a temperature just beyond the set point to ensure the Chiller does not cycle on and off excessively, and will restart automatically when the water temperature gets outside of the set range by a few degrees Fahrenheit.

**• WATER HAS BECOME CLOUDY**

Check filter element and replace if discolored; Add 60cc (2oz) of Oxidizer to water to break down organics and allow to run for 2 hours; Replace water if this fails.

**• TUB IS DIFFICULT TO GET INTO BAG**

It is important that the Tub be fully deflated before folding. This is done by deflating with the Double Action Hand Pump with Inflation Hose on the “Deflate” side. Ensure Tub is folded correctly per Takedown instructions.

**• CANNOT CONNECT CHILLER TO WIFI**

Ensure that the WiFi network you are trying to access is 2.4ghz. This product only works with a 2.4ghz wireless network. Some networks can be configured to provide both frequencies if they are dual-band; Ensure WiFi password is correct by testing with another device; Ensure Chiller is in-range of WiFi signal; Ensure device with Tuya Smart app has internet connection.

**• ERROR CODE: E1/FL/FU**

Too much air inside the water circulating loop.  
Double check the Chiller Hoses, Hose Connectors, External Water Strainer, and Water Filter Housing to see if any connections are not properly made. Review Water Circulation Troubleshooting above for more detailed steps to resolve.

**• ERROR CODE: E2/HH**

Water temperature is too high.  
Wait for the water temperature to cool down and then select “Mode” (second button) to cancel this error code.

**• ERROR CODE: E3/FU**

Water flow is low.  
See Water Circulation Troubleshooting instructions above for detailed steps to resolve.

**• ERROR CODE: E4/AA**

Temperature sensor T4 failure  
Contact Edge Theory Labs Support.

**• ERROR CODE: E5/PA**

Temperature sensor T3 failure  
Contact Edge Theory Labs Support.

**• ERROR CODE: CH2**

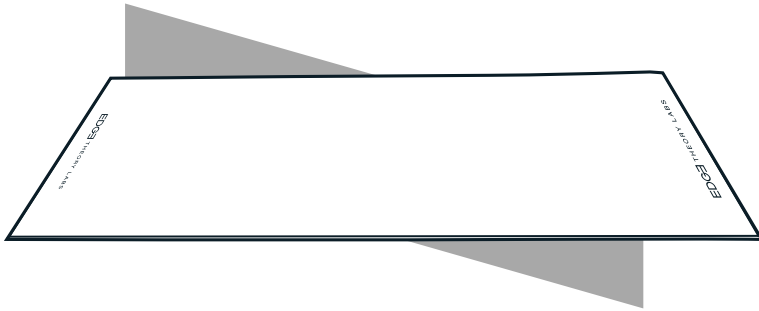
Temperature sensor T2 failure  
Contact Edge Theory Labs Support.

Edge Theory Labs warrants this product to be free from defects in workmanship and materials, under normal residential use and conditions, for a period of one (1) year from the original ship date, or six (6) months for commercial use. Edge Theory Labs agrees, at its unfettered discretion, during the warranty period, to repair any defect in material or workmanship or to furnish a repaired or refurbished product of equal value in exchange without charge (cost of shipping and handling will be covered by Edge Theory Labs so long as the warranty claim is deemed legitimate, as outlined in this paragraph above). Such repair or replacement is subject to verification of the defect or malfunction

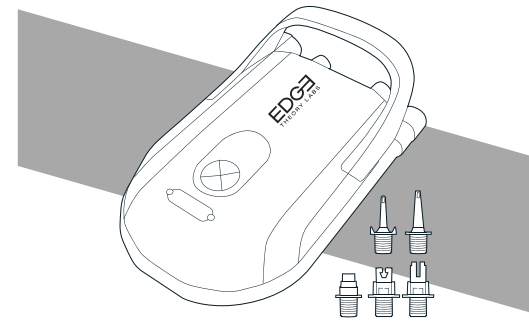
and proof of purchase and Edge Theory Labs retains the right to dismiss a warranty claim if foul play is suspected. For clarity, this warranty does not include: Any condition resulting from other than ordinary residential wear or any use for which the product was not intended, such as use in rental or contract trade or commercial use, any condition resulting from incorrect or inadequate maintenance or care, any condition resulting from modifications, damage resulting from misuse, abuse, negligence, accidents, dissatisfaction due to buyer's remorse, normal wear and tear, damages incurred during transportation, or failure to comply with all instructions and warnings.



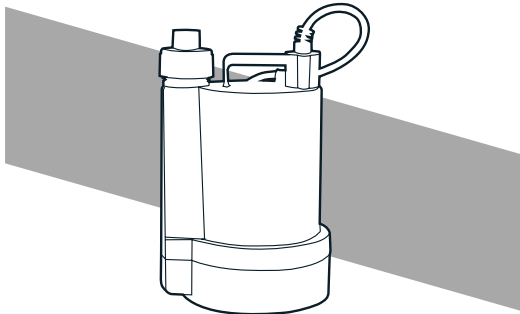
## The Edge Tub Legacy User Manual



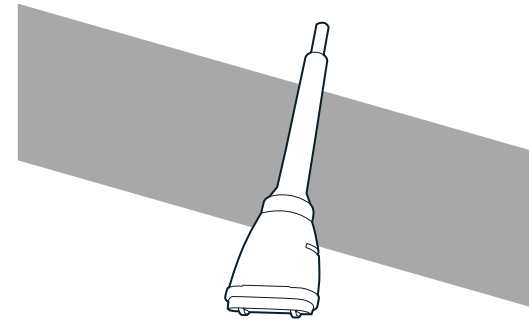
**PROTECTION MAT** - Edge Theory Labs



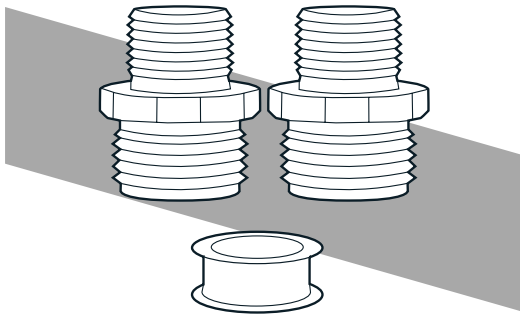
**ELECTRIC AIR PUMP** - Edge Theory Labs



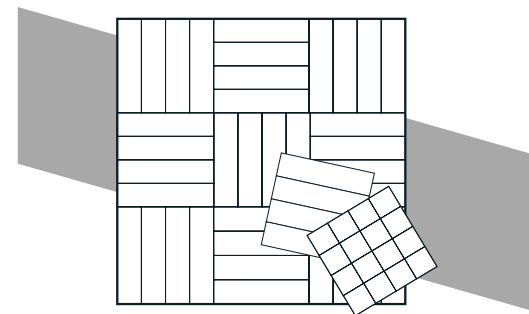
**SUMP PUMP** - Amazon



**AQUA VACUUM** - Amazon



**GARDEN HOSE ADAPTER** - Amazon



**BREATHABLE TILES** - Amazon