

TITAN

Solar Bollard-005

Solar-powered bollard lights are innovative outdoor lighting fixtures that harness solar energy to illuminate pathways, driveways, and outdoor spaces. These compact and stylish fixtures are equipped with built-in solar panels, which absorb sunlight during the day and convert it into electricity to power LED bulbs at night. Offering a sustainable and energy-efficient lighting solution, solar-powered bollard lights enhance safety and visibility while minimizing environmental impact. With easy installation and low maintenance requirements, these lights are an eco-friendly and cost-effective way to enhance both aesthetics and functionality in outdoor environments



NOMINAL FLUX **250 LUMENS**
 NOMINAL POWER **1.8 WATT**

LIGHTING

Efficiency **120 Lumens/Watt**
 Chips LED **PHILIPS Luxeon 30-30**
 LED Lifetime **Over 80000 hours LM80**
 Optics/CCT **T-V / 2300K to 6500K (Dual CCT Optional)**
 Light Height choose from **43.30Inch or 31.49Inch**

BATTERY

Technology **Lithium Iron Phosphate LIFEPO4**
 Capacity **28Wh**
 Autonomy **Over 24 hours at full charge - 4 Rainy Days back up**
 Charging Time **6 hours**
 Lifespan **Over 3000 CYCLES @ 80% DOD over 10 years Lifetime**
 Working Temp **14F to 158F - (Optional -40°F TO 158F)**

ENERGY

Solar Panel **4.5 Wc**
 Cells Type **Monocrystalline Panel Grade A 25 years**
 Certificates **IEC 61215 - IEC 61730 I and II - IEC 60904**

ELECTRONIC

Sensor **PIR 180° Sensor (Optional)**

DIMENSIONS

Product **D 9.84" x H 43.30" or D 9.84" x H 31.49"**
 Carton Size **45.27" x 12.59" x 13" or 33.46" x 12.59" x 13"**
 Weight **15 LBS or 12.34 LBS**
 Materials **Die Cast Aluminum**
 Installation **Concrete base or insert on support**
 Product Model **AVS-BL-005**

Beyond Solar retains the right to modify or change product specifications without prior notice, as part of our ongoing commitment to improvement

Model #	SKU #	Fixture Height	Power	PV Type	Solar Panel	Lithium Battery	Lumens	CCT	IP Rating	Material
AVS-BL005	787904	43.30"	1.8W	MONO	4.5W	4.5AH / 6.4V	250LM	2300K/6500K	IP65	ALUMINUM
AVS-BL005	787904-H	31.49"	1.8W	MONO	4.5W	4.5AH / 6.4V	250LM	2300K/6500K	IP65	ALUMINUM



LUMINAIRE & LEDs

The TITAN Bollard 43.30" - 31.49" incorporates the latest LED technologies, its elegance and ease of installation will meet your lighting needs. TITAN is equipped with LED chips, combining performance and robustness with 120 lumens per watt.

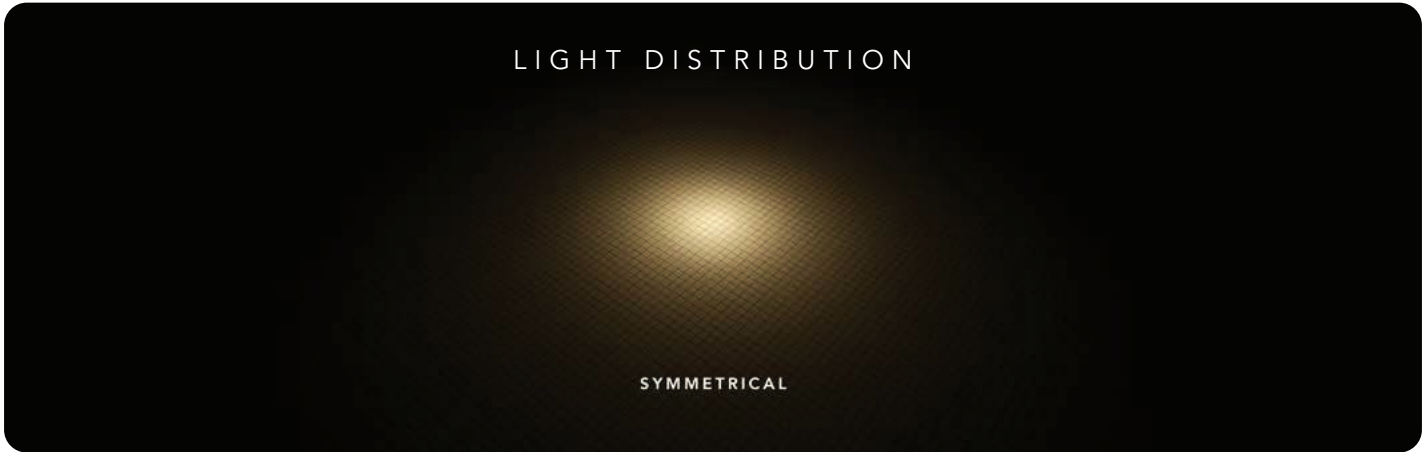
A TOTAL OF 250 LUMENS

Our light fixture also complies with current standards concerning light pollution.

IP65



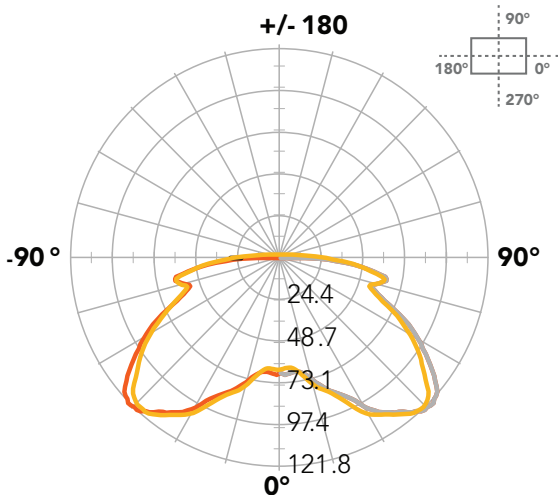
SYMMETRICAL DISTRIBUTION



PHOTOMETRIC CURVE

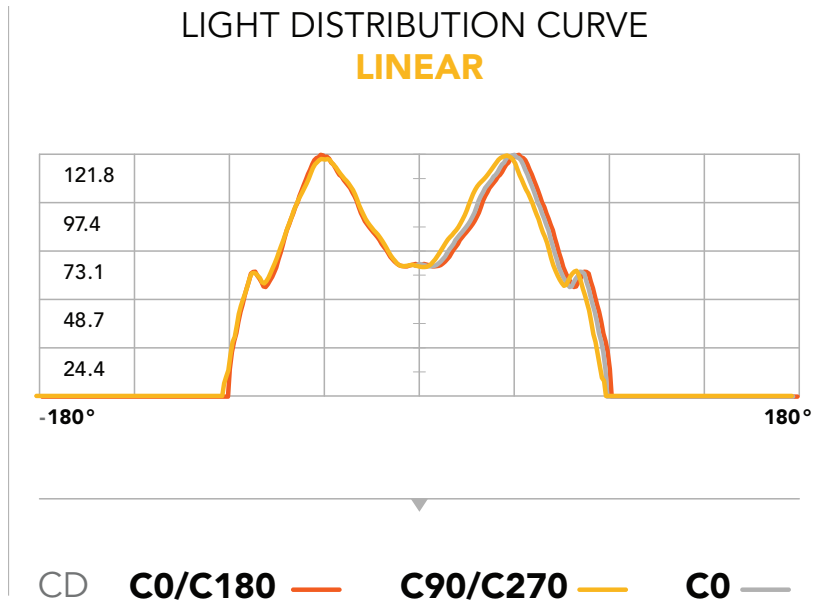
LIGHT DISTRIBUTION CURVE

UNIT : CD

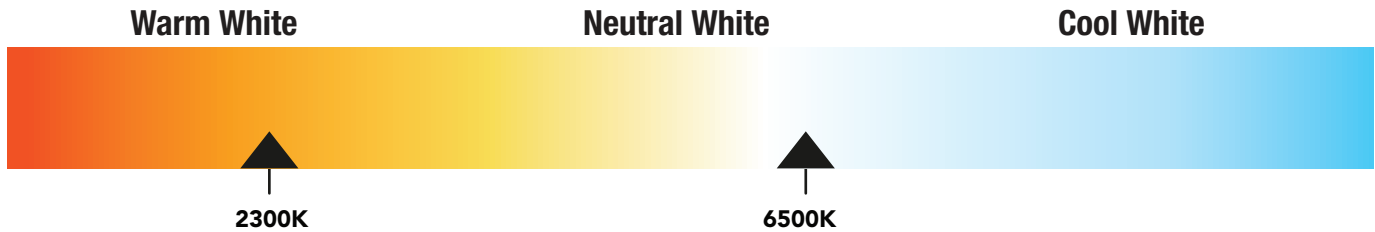


LIGHT DISTRIBUTION CURVE

LINEAR



CORRELATED COLOR TEMPERATURE



BATTERY LIFEPO4

The TITAN 43.30" / 31.49" bollard is equipped with Lithium Iron Phosphate LIFEPO4 batteries, recognized as the best battery technology in terms of longevity, safety, and performance for solar applications. Our batteries enjoy a lifespan of over 3000 cycles, which is more than 10 years at 80% DOD.

EXTREME TEMPERATURE 14F TO 158F

While standard batteries benefit from an operating temperature of 14F to 158F, Beyond Solar offers as optional a new Special LIFEPO4 battery with working range of -40F to 158F

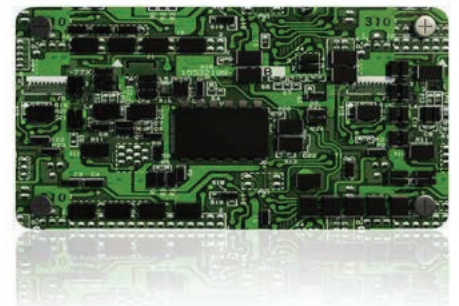


BMS ELECTRONIC PROTECTION BATTERY MANAGEMENT SYSTEM

Our batteries are equipped with electronic circuit boards for a higher protection, ensuring battery functioning optimization in any situation.

THE BMS PROTECTS AGAINST

- OVER/UNDER CURRENT
- OVERLOAD
- OVER/UNDER VOLTAGE
- OVER/UNDER CHARGE
- TEMPERATURE MANAGEMENT

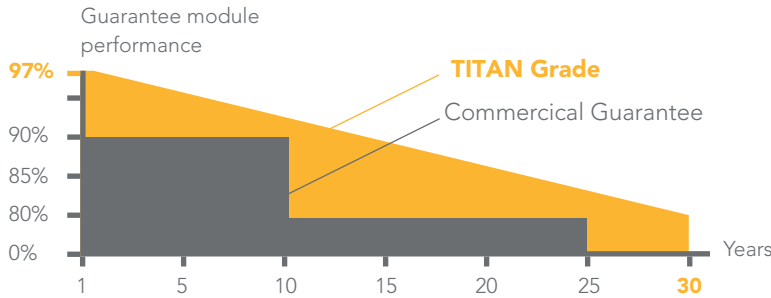


SOLAR PANEL

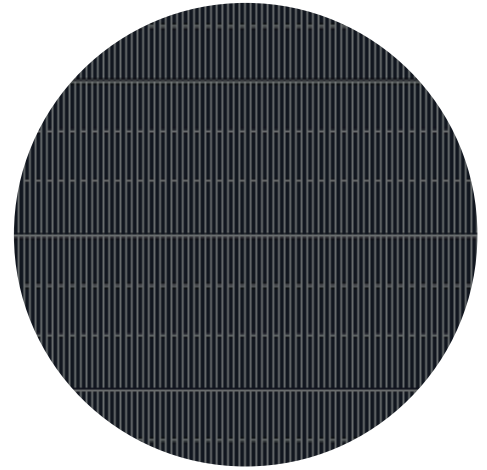
4.5 WATT

Encapsulated Monocrystalline Solar Panel **Grade A** Solar Cell with Tempered Glass.

OUR PV PERFORMANCE GUARANTEE



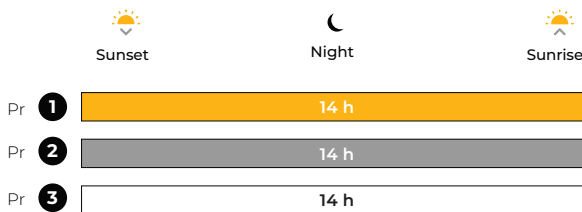
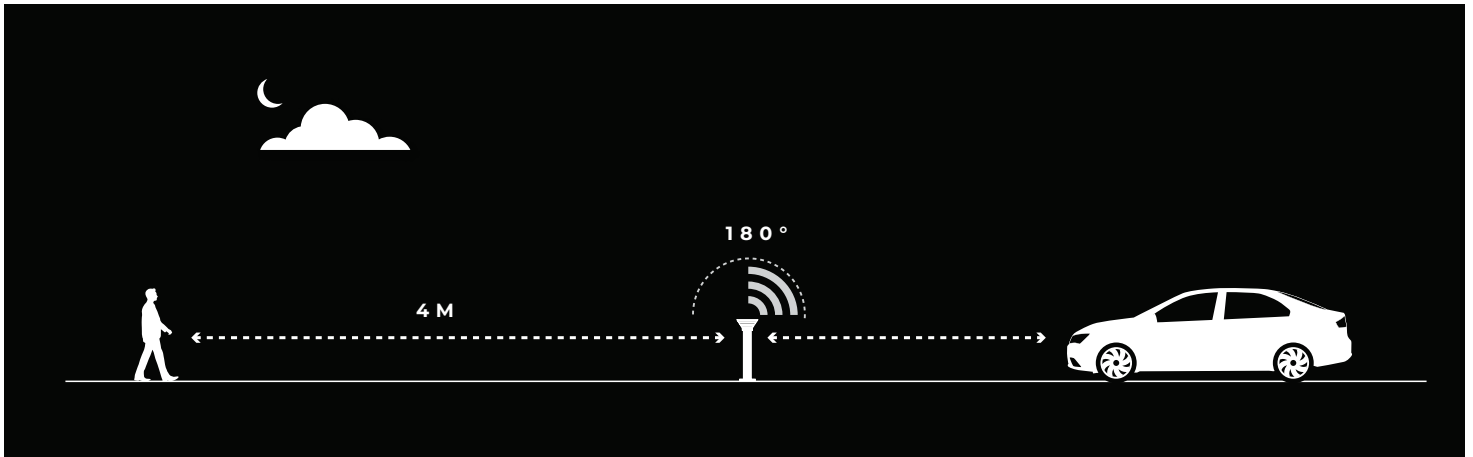
Solar cells **GRADE A**



PRESENCE DETECTOR INFRA-RED SENSOR

THE TITAN 43.30" / 31.49" BOLLARD AUTOMATICALLY TURNS ON AT DUSK AND OFF AT DAWN.

TITAN offers optional PIR movement sensor. The infra red detector integrated into the light fixture will increase the light power as pedestrians or vehicles pass, thus providing a higher level of safety while respecting the environment.



Depending on the geographical area, we will select the % of light reduction.

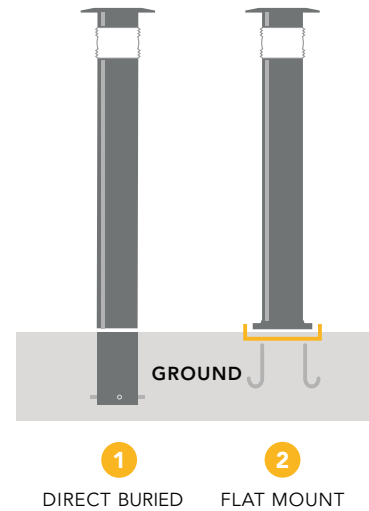
- Program 1** > 40% Dim + 100% ON during 20 sec
- Program 2** > 30% Dim + 100% ON during 20 sec
- Program 3** > 20% Dim + 100% ON during 20 sec



EASY INSTALLATION

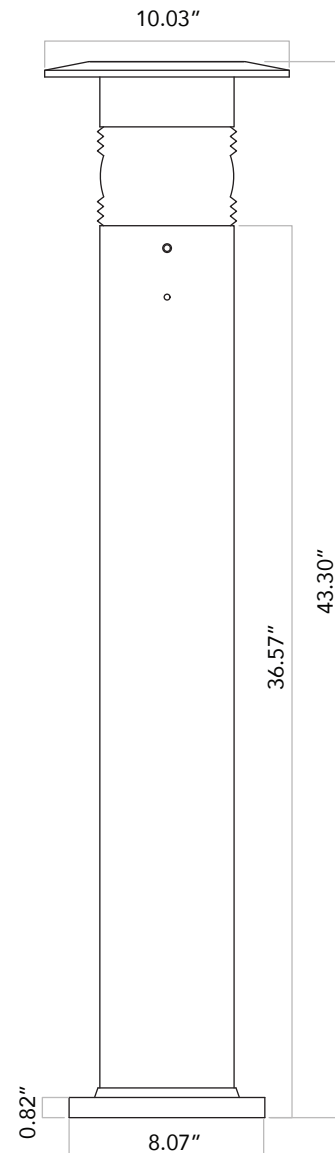
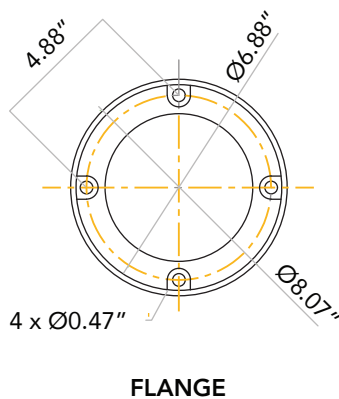
NO CABLING • NO TRENCHING

No wiring or trenching is necessary, you just need to embed the TITAN in concrete or on anchor rods.



DIMENSIONS

BOLLARD AND BASE



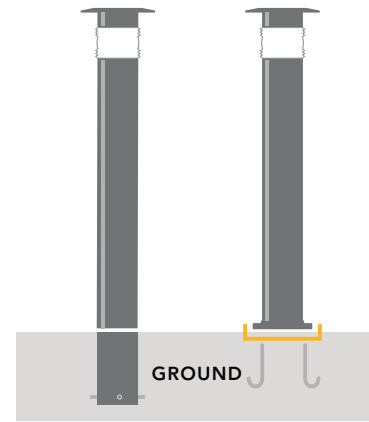
All Dimensions Are In Inches



EASY INSTALLATION

NO CABLING • NO TRENCHING

No wiring or trenching is necessary, you just need to embed the TITAN in concrete or on anchor rods.



1

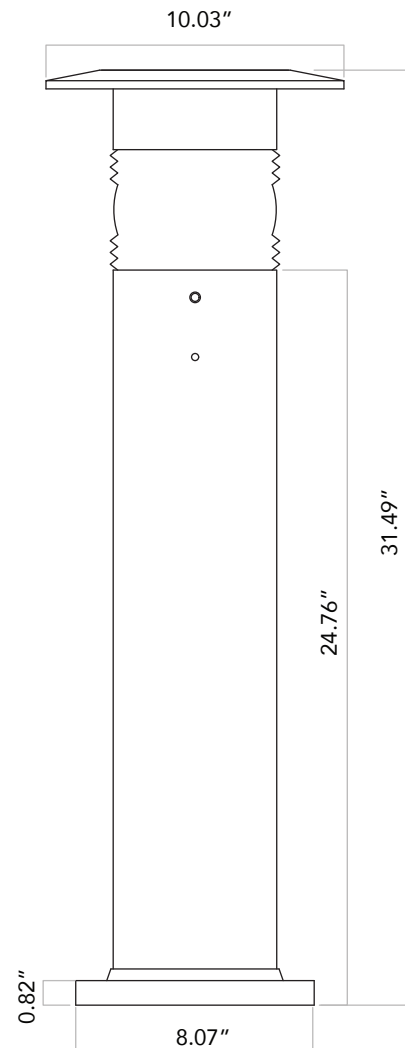
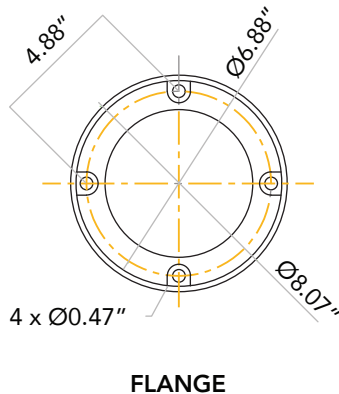
DIRECT BURIED

2

FLAT MOUNT

DIMENSIONS

BOLLARD AND BASE



All Dimensions Are In Inches



